



Secretariat

Distr.
GENERAL

ST/SG/AC.10/2000/20/Corr.1
4 October 2000

ENGLISH ONLY

**COMMITTEE OF EXPERTS ON THE TRANSPORT
OF DANGEROUS GOODS**

(Twenty-first session,
4-13 December 2000,
agenda item 2 (b))

WORK OF THE SUB-COMMITTEE OF EXPERTS

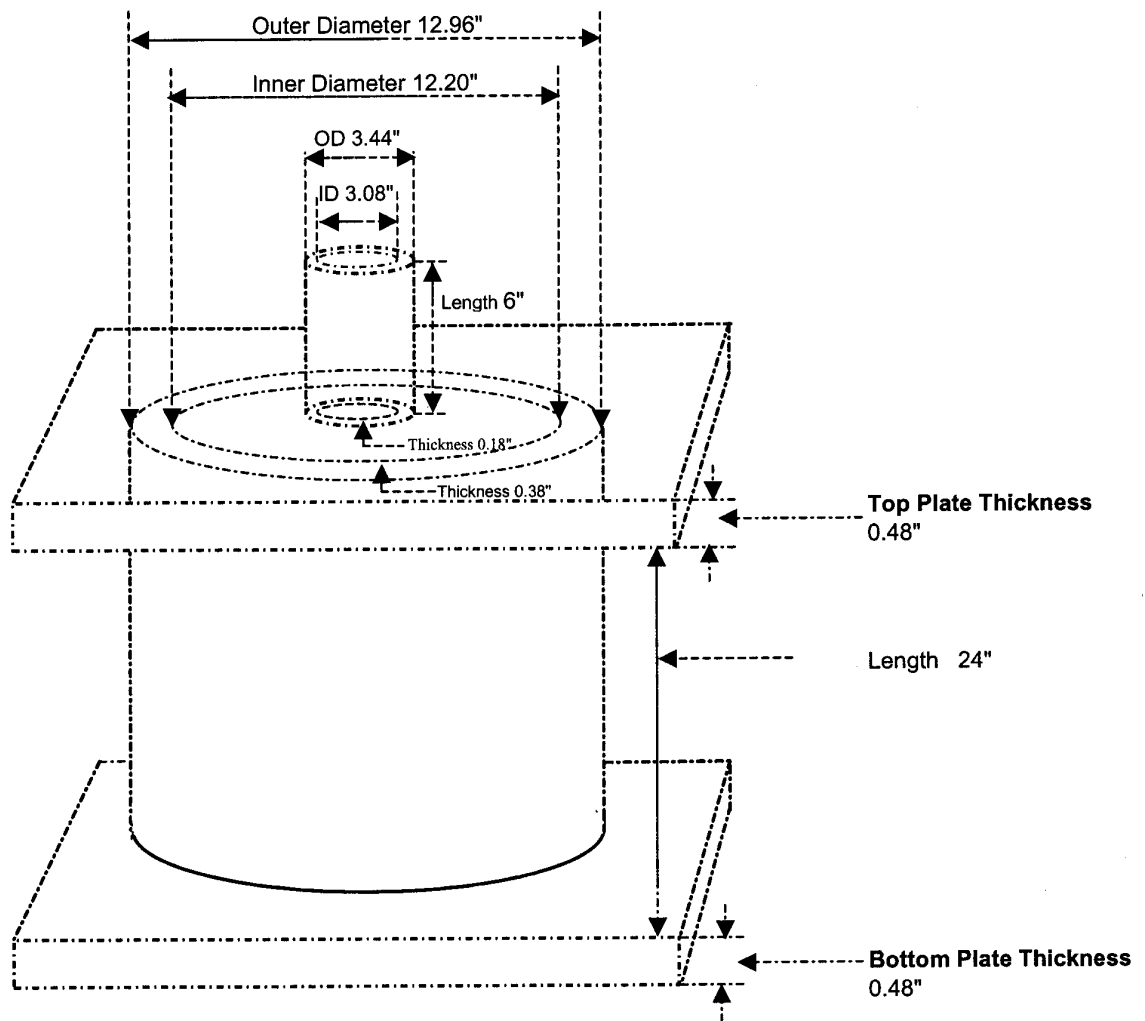
Draft amendments to the Recommendations on the Transport of Dangerous Goods

**Proposal resulting from the Working Group on classification of ammonium nitrate emulsions,
Intermediate for blasting explosives**

Transmitted by the Chairman of the Working Group

Corrigendum

The drawing of Figure 18.4.4.1 - Vented pipe test - should be replaced by the one reproduced below.



Material of the pipe: Schedule 40 c carbon (A53 Grade B) steel

Figure 18.4.4.1: Vented pipe test