

## **Supporting material for ECE/TRANS/WP.29/GRB/2019/5.**

### **I. Proposal**

This document aimed to help the understanding of the amendment proposal ECE/TRANS/WP.29/GRB/2019/5 in the consolidated UN Regulation N°30 up to Supplement 20.

### **II. Clarification**

In green color are presented the amendment proposals from ECE/TRANS/WP.29/GRB/2019/5

In red color are presented are some additional editorial corrections to be proposed to GRB.

---

## AGREEMENT

### **CONCERNING THE ADOPTION OF UNIFORM TECHNICAL PRESCRIPTIONS FOR WHEELED VEHICLES, EQUIPMENT AND PARTS WHICH CAN BE FITTED AND/OR BE USED ON WHEELED VEHICLES AND THE CONDITIONS FOR RECIPROCAL RECOGNITION OF APPROVALS GRANTED ON THE BASIS OF THESE PRESCRIPTIONS \*/**

(Revision 2, including the amendments which entered into force on 16 October 1995)

---

#### **Addendum 29: Regulation No. 30 Revision 3**

#### **Incorporating all valid text up to:**

...

Supplement 14 to the 02 series of amendments - Date of entry into force: 18 January 2006

Supplement 15 to the 02 series of amendments - Date of entry into force: 10 November 2007

Supplement 16 to the 02 series of amendments - Date of entry into force: 17 March 2010

Supplement 17 to the 02 series of amendments - Date of entry into force: 27 January 2013

Supplement 18 to the 02 series of amendments - Date of entry into force: 9 February 2017

Supplement 19 to the 02 series of amendments - Date of entry into force: 10 February 2018

Supplement 20 to the 02 series of amendments - Date of entry into force: 16 October 2018

**ECE-TRANS-WP29-GRB-2019-05e**

**Clarifications and editorial corrections**

### **UNIFORM PROVISIONS CONCERNING THE APPROVAL OF PNEUMATIC TYRES FOR MOTOR VEHICLES AND THEIR TRAILERS**



**UNITED NATIONS**

---

\*/ Former title of the Agreement:

Agreement Concerning the Adoption of Uniform Conditions of Approval and Reciprocal Recognition of Approval for Motor Vehicle Equipment and Parts, done at Geneva on 20 March 1958.

Regulation No. 30

UNIFORM PROVISIONS CONCERNING THE APPROVAL OF PNEUMATIC  
TYRES FOR MOTOR VEHICLES AND THEIR TRAILERS

CONTENTS

| REGULATION   | <u>Page</u> |
|--|-------------|
| 1. Scope.....  | 5           |
| 2. Definitions .....   | 5           |
| 3. Markings .....  | 12          |
| 4. Application for approval.....   | 14          |
| 5. Approval .....  | 15          |
| 6. Requirements .....  | 16          |
| 7. Modifications of the type of pneumatic tyre and<br>extension of approval.....   | 21          |
| 8. Conformity of production .....  | 21          |
| 9. Penalties for non-conformity of production.....   | 21          |
| 10. Production definitively discontinued .....   | 22          |
| 11. Transitional provisions .....  | 22          |
| 12. Names and addresses of Technical Services responsible<br>for conducting approval tests and of Administrative Departments ..... | 22          |

ANNEXES

Annex 1 - Communication concerning the approval or extension or refusal or withdrawal of approval or production definitively discontinued of a type of pneumatic tyre for motor vehicles pursuant to Regulation No. 30

Annex 2 - Example of the arrangement of the approval mark

Annex 3 - Arrangement of tyre markings

Annex 4 - Load-capacity indices

CONTENTS (continued)

Annex 5 - Tyre size designation and dimensions

Annex 6 - Method of measuring pneumatic tyres

Annex 7 - Procedure for load/speed performance tests

1. SCOPE

*This Regulation covers new pneumatic tyres \*/ designed primarily for vehicles of categories M<sub>1</sub>, N<sub>1</sub>, O<sub>1</sub> and O<sub>2</sub>. \*\*/ \*\*\*/*

It does not apply to tyres designed primarily for:

- 1.1. The equipment for vintage cars;
- 1.2. Competitions.

2. DEFINITIONS

For the purposes of this Regulation,

2.1. "Type of tyre" means tyres which do not differ in such essential characteristics as:

- (a) The manufacturer's name;
- (b) Tyre-size designation;
- (c) Category of use (normal tyre, snow tyre, special use tyre or temporary use tyre);
- (d) Structure (diagonal (bias-ply), bias-belted, radial-ply, run flat tyre);
- (e) Speed category symbol;
- (f) Load-capacity index;
- (g) Tyre cross-section.

2.2. "Manufacturer" means the person or body who is responsible to the Type Approval Authority (TAA) for all aspects of the type-approval and for ensuring the conformity of production.

2.3. "Brand name/trademark" means the identification of the brand or trademark as defined by the tyre manufacturer and marked on the sidewall(s) of the tyre. The brand name/trademark may be the same as that of the manufacturer.

2.4. "Trade description/commercial name" means an identification of a range of tyres as given by the tyre manufacturer. It may coincide with the brand name/trademark.

---

\*/ For the purpose of this regulation "tyres" means "pneumatic tyres".

\*\*/ As defined in Annex 7 to the Consolidated Resolution on the Construction of Vehicles R.E.3 (document TRANS/WP.29/78/Rev.1 as last amended by Amend. 4).

\*\*\*/ This Regulation defines requirements for tyres as a component. It does not limit their installation on any categories of vehicles."

- 2.5. "Normal tyre" means a tyre intended for normal on-road use.
- 2.6. "Snow tyre" means a tyre whose tread pattern, tread compound or structure is primarily designed to achieve in snow conditions a performance better than that of a normal tyre with regard to its ability to initiate or maintain vehicle motion.
- 2.7. "Special use tyre" means a tyre intended for mixed use both on- and off-road or for other special duty. These tyres are primarily designed to initiate and maintain the vehicle in motion in off-road conditions.
- 2.7.1. "Professional off-road tyre" is a special use tyre primarily used for service in severe off-road conditions."
- 2.8.** ~~2.8.5.~~ "Temporary use spare tyre" means a tyre different from a tyre intended to be fitted to any vehicle for normal driving conditions but intended only for temporary use under restricted driving conditions;
- 2.8.1.** ~~2.8.6.~~ "T-type temporary use spare tyre" means a type of temporary use spare tyre designed for use at inflation pressures higher than those established for standard and reinforced tyres;
- 2.9.** ~~2.8.~~ "Structure" of a tyre means the technical characteristics of the tyre's carcass. The following structures are distinguished in particular;
- 2.9.1.** ~~2.8.1~~ "Diagonal" or "bias-ply" describes a -tyre structure in which the ply cords extend to the beads and are laid at alternate angles of substantially less than 90° to the centre line of the tread;
- 2.9.2.** ~~2.8.2.~~ "Bias-belted" describes a -tyre structure of diagonal (bias-ply) type in which the carcass is restricted by a belt comprising two or more layers of substantially inextensible cord material laid at alternate angles close to those of the carcass;
- 2.9.3.** ~~2.8.3.~~ "Radial" describes a -tyre structure in which the ply cords extend to the beads and are laid substantially at 90° to the centre line of the tread, the carcass being stabilized by an essentially inextensible circumferential belt;
- 2.9.4.** ~~2.8.7.~~ "Run flat tyre" or "Self supporting tyre" describes a-tyre structure provided with any technical solutions (for example, reinforced sidewalls, etc.) allowing the tyre, mounted on the appropriate wheel and in the absence of any supplementary component, to supply the vehicle with the basic tyre functions, at least, at a speed of 80km/h and a distance of 80km when operating in flat tyre running mode.

- 2.10.** ~~2.8.4.~~ "Reinforced" or "Extra Load" means a tyre **structure** designed to carry more load at a higher inflation pressure than the load carried by the corresponding standard version tyre at the standard inflation pressure as specified in ISO 4000-1:2010;
- 2.11.** "P-type tyre" means a type of passenger car tyre that follows design rules of The Tire & Rim Association;
- 2.12.** ~~2.9.~~ "Bead" means the part of a tyre which is of such shape and structure as to fit the rim and hold the tyre on it; 1/
- 2.13.** ~~2.10.~~ "Cord" means the strands forming the fabric of the plies in the tyre; 2/
- 2.14.** ~~2.11.~~ "Ply" means a layer of rubber-coated parallel cords; 2/
- 2.15.** ~~2.12.~~ "Carcass" means that part of a tyre other than the tread and the rubber side walls which, when inflated, bears the load; 2/
- 2.16.** ~~2.13.~~ "Tread" means that part of a tyre which comes into contact with the ground; 2/
- 2.17.** ~~2.14.~~ "Side wall" means the part of a tyre between the tread and the bead; 2/
- 2.18.** ~~2.15.~~ "Lower area of tyre" means the area included between the point of maximum section width of the tyre and the area designed to be covered by the edge of the rim; 2/
- 2.18.1.** ~~2.15.1.~~ However, in case of tyres identified by the "tyre to rim fitment configuration" (see para. **2.27.1.** ~~3.1.10.~~) symbol "A" or "U", it means the area of the tyre which is seating on the rim."
- 2.19.** ~~2.16.~~ "*Tread pattern groove*" means the space between two adjacent ribs or blocks in the tread pattern 2/;
- 2.20.** ~~2.17.~~ "Section width" means the linear distance between the outsides of the side walls of an inflated tyre, excluding elevations due to labelling (marking), decoration or protective bands or ribs; 2/
- 2.21.** ~~2.18.~~ "Overall width" means the linear distance between the outsides of the side walls of an inflated tyre, including labelling (marking), decoration and protective bands or ribs; 2/
- 2.22.** ~~2.19.~~ "Section height" means a distance equal to half the difference between the outer diameter of the tyre and the nominal rim diameter; 2/

---

1/ See explanatory figure.

2/ See explanatory figure.

- 2.23.** ~~2.20.~~ "Nominal aspect ratio (Ra)" means the centuple of the number obtained by dividing the number expressing the section height in mm by the number expressing the nominal section width in mm;
- 2.24.** ~~2.21.~~ "Outer diameter" means the overall diameter of an inflated new tyre; 2/
- 2.25.** ~~2.22.~~ "Tyre-size designation" is **a designation showing:**
- ~~2.22.1. a designation showing:~~
- 2.25.1.** ~~2.22.1.1.~~ the nominal section width. This width must be expressed in mm, except in the case of the types of tyre for which the size designation is shown in the first column of the tables in Annex 5 to this Regulation;
- 2.25.2.** ~~2.22.1.2.~~ the nominal aspect ratio except in the case of certain types of tyre, for which the size designation is shown in the first column of the tables in Annex 5 to this Regulation, or, depending on the tyre design type, the nominal outer diameter expressed in mm;
- 2.25.3. An indication of the structure as follows:**
- 2.25.3.1. on diagonal (bias-ply) tyres, no marking or the letter "D" placed in front of the rim diameter marking;**
- 2.25.3.2. on radial-ply tyres, the letter "R" placed in front of the rim-diameter marking, and, optionally, the word "RADIAL";**
- 2.25.3.3. on bias-belted tyres, the letter "B" placed in front of the rim-diameter marking, and in addition the words "BIAS-BELTED";**
- 2.25.3.4. on radial ply tyres suitable for speeds in excess of 240 km/h but not exceeding 300 km/h (tyres marked with the speed symbol "W" or "Y" as part of the service description), the letter "R", placed before the rim diameter marking, may be replaced with the inscription "ZR"; on tyres suitable for speeds in excess of 300 km/h, the letter "R" placed in front of the rim diameter marking shall be replaced by the inscription "ZR";**
- 2.25.3.5. on "run flat" or "self supporting" tyres the letter "F" placed in front of the rim diameter marking.**
- 2.25.4.** ~~2.22.1.3.~~ a conventional number denoting the nominal rim diameter and corresponding to its diameter expressed either by codes (numbers below 100) or in millimetres (numbers above 100);
-



2/ See explanatory figure.

**2.25.5.** ~~2.22.1.4.~~ the letter "T" in front of the nominal section width in case of T-type temporary use spare tyres;

**2.25.6.** **the letter "P" in front of the nominal section width in case of P-type tyres;**

**2.25.7.** ~~2.22.1.5.~~ an indication of the tyre to rim fitment configuration when it differs from the standard configuration.

**2.26.** ~~2.23.~~ "Nominal rim diameter" means the diameter of the rim on which a tyre is designed to be mounted;

**2.26.1.** ~~2.23.1.~~ The values of the nominal rim diameters for code-designated rims expressed in millimetres are shown below:

| <i>Nominal rim diameter code ("d" symbol)</i> | <i>Value of the "d" symbol expressed in mm</i> |
|---|--|
| 10  | 254  |
| 11  | 279  |
| 12  | 305  |
| 13  | 330  |
| 14  | 356  |
| 15  | 381  |
| 16  | 406  |
| 17  | 432  |
| 18  | 457  |
| 19  | 483  |
| 20  | 508  |
| 21  | 533  |
| 22  | 559  |
| 23  | 584  |
| 24  | 610  |
| 25  | 635  |
| 26  | 660  |
| 27  | 686  |
| 28  | 711  |
| 29  | 737  |
| 30  | 762  |

- 2.27.** <sup>2.24.</sup> "Rim" means the support for a tyre-and-tube assembly, or for a tubeless tyre, on which the tyre beads are seated; 2/
- 2.27.1.** <sup>2.24.1.</sup> "Tyre to rim fitment configuration" means the type of rim to which the tyre is designed to be fitted. In the case of non-standard rims this will be identified by a symbol applied to the tyre, for example, "CT", "TR", "TD", "A" or "U".
- 2.28.** <sup>2.25.</sup> "Theoretical rim" means the notional rim whose width would be equal to x times the nominal section width of a tyre. The value of x shall be specified by the manufacturer of that tyre;
- 2.29.** <sup>2.26.</sup> "Measuring rim" means the rim on which a tyre is required to be fitted for size measurements;
- 2.30.** <sup>2.27.</sup> "Test rim" means the rim on which a tyre is required to be fitted for testing;
- 2.31.** <sup>2.28.</sup> "Chunking" means the breaking away of pieces of rubber from the tread;
- 2.32.** <sup>2.29.</sup> "Cord separation" means the parting of the cords from their rubber coating;
- 2.33.** <sup>2.30.</sup> "Ply separation" means the parting of adjacent plies;
- 2.34.** <sup>2.31.</sup> "Tread separation" means the pulling away of the tread from the carcass;
- 2.35.** <sup>2.32.</sup> "Tread-wear indicators" means the projections within the tread grooves designed to give a visual indication of the degree of wear of the tread;
- 2.36.** <sup>2.33.</sup> "Load-capacity index" means a number associated to the reference mass a tyre can carry when operated in conformity with requirements governing utilization specified by the manufacturer.
- 2.37.** <sup>2.34.</sup> "Speed category" means the maximum speed which the tyre can sustain, expressed by speed category symbol (see table below).

---

2/ See explanatory figure.

**2.37.1.** ~~2.34.1.~~ The categories of speed are those indicated in the table below:

| Speed-category symbol | Maximum speed (km/h) |
|-----------------------|----------------------|
| L                     | 120                  |
| M                     | 130                  |
| N                     | 140                  |
| P                     | 150                  |
| Q                     | 160                  |
| R                     | 170                  |
| S                     | 180                  |
| T                     | 190                  |
| U                     | 200                  |
| H                     | 210                  |
| V                     | 240                  |
| W                     | 270                  |
| Y                     | 300                  |

**2.38.** ~~2.35.~~ Tread pattern grooves

**2.38.1.** ~~2.35.1.~~ "Principal grooves" means the wide circumferential grooves positioned in the central zone of the tyre tread, which have the tread-wear indicators located in the base."

**2.38.2.** ~~2.35.2.~~ "Secondary grooves" means the supplementary grooves of the tread pattern which may disappear in the course of the tyre's life.

**2.39.** ~~2.36.~~ "Void to fill ratio" means the ratio between the area of voids in a reference surface and the area of this reference surface calculated from the mould drawing

**2.40.** ~~2.37.~~ "Maximum load rating" means the maximum mass the tyre is rated to carry;

**2.40.1.** ~~2.37.1.~~ for speed not exceeding 210 km/h the maximum load rating shall not exceed the value associated with the load capacity index of the tyre;

**2.40.2.** ~~2.37.2.~~ for speed higher than 210 km/h, but not exceeding 240 km/h, (tyres classified with speed category symbol "V") the maximum load rating shall not exceed the percentage of the value associated with the load capacity index of the tyre, indicated in the table below, with reference to the speed capability of the car to which the tyre is fitted.

| Maximum speed<br>(km/h) | Maximum load rating<br>(per cent) |
|-------------------------|-----------------------------------|
| 215                     | 98.5                              |
| 220                     | 97                                |
| 225                     | 95.5                              |
| 230                     | 94                                |
| 235                     | 92.5                              |
| 240                     | 91                                |

For intermediate maximum speeds linear interpolations of the maximum load rating are allowed.

**2.40.3.** <sup>2.37.3.</sup> For speeds higher than 240 km/h (tyres classified with speed category symbol "W") the maximum load rating shall not exceed the percentage of the value associated with the load capacity index of the tyre, indicated in the table below, with reference to the speed capability of the car to which the tyre is fitted.

| Maximum speed<br>(km/h) | Maximum load rating<br>(per cent) |
|-------------------------|-----------------------------------|
| 240                     | 100                               |
| 250                     | 95                                |
| 260                     | 90                                |
| 270                     | 85                                |

For intermediate maximum speeds linear interpolations of the maximum load rating are allowed.

**2.40.4.** <sup>2.37.4.</sup> For speeds higher than 270 km/h (tyres classified with speed-category symbol "Y") the maximum load rating shall not exceed the percentage of the value associated with the load capacity index of the tyre, indicated in the table below, with reference to the speed capability of the car to which the tyre is fitted.

| Maximum speed<br>(km/h) | Maximum load rating<br>(per cent) |
|-------------------------|-----------------------------------|
| 270                     | 100                               |
| 280                     | 95                                |
| 290                     | 90                                |
| 300                     | 85                                |

For intermediate maximum speeds linear interpolations of the maximum load rating are allowed.

- 2.40.5.** ~~2.37.5.~~ For speeds lower or equal to 60 km/h the maximum load rating must not exceed the percentage of mass, associated with the load capacity index of the tyre indicated in the table below with reference to the maximum design speed of the vehicle to which the tyre is to be fitted.

| Maximum speed<br>(km/h) | Maximum load rating<br>(per cent) |
|-------------------------|-----------------------------------|
| 25                      | 142                               |
| 30                      | 135                               |
| 40                      | 125                               |
| 50                      | 115                               |
| 60                      | 110                               |

- 2.40.6.** ~~2.37.6.~~ For speeds in excess of 300 km/h, the maximum load rating must not exceed the mass specified by the tyre manufacturer with reference to the speed capacity of the tyre. For intermediate speeds between 300 km/h and the maximum speed permitted by the tyre manufacturer, a linear interpolation of the maximum load rating applies.

- 2.41.** ~~2.38.~~ "Flat tyre running mode" describes the state of the tyre, essentially maintaining its structural integrity, while operating at an inflation pressure between 0 and 70 kPa.

- 2.42.** ~~2.39.~~ "Basic tyre functions" means the normal capability of an inflated tyre in supporting a given load up to a given speed and transmitting the driving, the steering and the braking forces to the ground on which it runs.

- 2.43.** ~~2.40.~~ "Run flat system" or "Extended mobility system" describes an assembly of specified functionally dependant components, including a tyre, which together provide the specified performance granting the vehicle with the basic tyre functions, at least, at a speed of 80 km/h (50 mph) and a distance of 80 km when operating in flat tyre running mode.

- 2.44.** ~~2.41.~~ "Deflected section height" is the difference between the deflected radius, measured from the centre of the rim to the surface of the drum, and one half of the nominal rim diameter as defined in **paragraph 2.26. of this Regulation ISO 4000-1.**

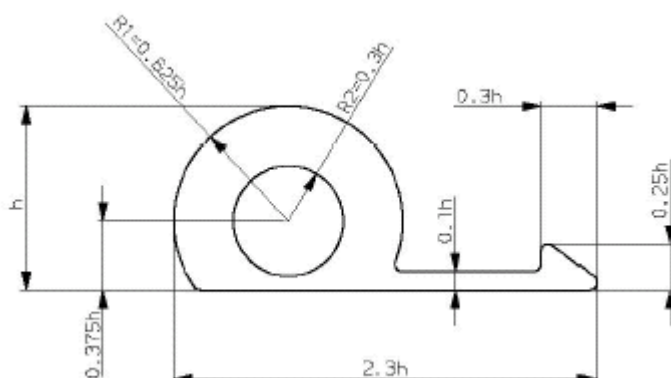
### 3. MARKINGS

- 3.1. Tyres submitted for approval shall bear on both side walls in the case of symmetrical tyres and at least on the outer side wall in the case of asymmetrical tyres:
- 3.1.1. The manufacturer's name or the Brand name/trademark;
- 3.1.2. The trade description/commercial name (see paragraph 2.4. of this Regulation). However, the trade description is not required when it coincides with the Brand name/trademark.
- 3.1.3. The tyre-size designation
- ~~3.1.4. An indication of the structure as follows:~~
- ~~3.1.4.1. on diagonal (bias ply) tyres, no marking or the letter "D" placed in front of the rim diameter marking;~~
- ~~3.1.4.2. on radial ply tyres, the letter "R" placed in front of the rim diameter marking, and, optionally, the word "RADIAL";~~
- ~~3.1.4.3. on bias belted tyres, the letter "B" placed in front of the rim diameter marking, and in addition the words "BIAS BELTED";~~
- ~~3.1.4.4. on radial ply tyres suitable for speeds in excess of 240 km/h but not exceeding 300 km/h (tyres marked with the speed symbol "W" or "Y" as part of the service description), the letter "R", placed before the rim diameter code marking, may be replaced with the inscription "ZR".~~
- ~~3.1.4.5. on "run flat" or "self supporting" tyres the letter "F" placed in front of the rim diameter marking.~~
- 3.1.4.** ~~3.1.8.~~ The load-capacity index,
- 3.1.5. An indication of the tyre's speed category symbol
- 3.1.5.1. On tyres suitable for speeds in excess of 300 km/h, **in addition to what is already defined in 2.25.3.4.,** ~~the letter "R" placed in front of the rim diameter code marking shall be replaced by the inscription "ZR" and~~ the tyre shall be marked with a service description consisting of the speed symbol "Y" and the corresponding load index. The service description shall be marked within brackets, for example, "(95Y)".
- 3.1.6. The inscription M+S or M.S or M&S if the tyre is classified in the category of use "snow tyre" or if the tyre is classified in the category of use "special use tyre" when declared by the tyre manufacturer at paragraph 4.1.3. as complying also with the definition given in paragraph 2.6.

- 3.1.7. The inscription "ET" and/or "POR" if the tyre is classified in the category of use "Special use". In addition, they may also bear the inscription M+S or M.S or M&S.
- ET means Extra Tread and POR means Professional Off Road.
- 3.1.8.** ~~3.1.9.~~ The word "TUBELESS" if the tyre is designed for use without an inner tube;
- 3.1.9.** ~~3.1.10.~~ The word "REINFORCED" or the words "EXTRA LOAD" if the tyre is a reinforced tyre;
- 3.1.10.** ~~3.1.11.~~ The date of manufacture in the form of a group of four digits, the first two showing the week and the last two the year of manufacture. However, this marking which may be placed on one side wall only, shall not be mandatory, on any tyre submitted for approval, until two years after the date of entry into force of this Regulation. 2/
- 3.1.11.** ~~3.1.12.~~ In the case of tyres first approved after the entry into force of Supplement 13 to the 02 series of amendments to UN Regulation No. 30, the identification referred to in paragraph **2.25.7.** ~~2.22.1.5.~~ shall be placed immediately after the rim diameter marking referred to in paragraph **2.25.4.** ~~2.22.1.3.~~
- 3.1.12.** ~~3.1.13.~~ In the case of temporary use spare tyres, the words "TEMPORARY USE ONLY" in upper case characters at least 12.7 mm high.
- 3.1.12.1.** ~~3.1.13.1.~~ In addition, in the case of "T" type temporary use spare tyres, the legend "INFLATE TO 420 kPa (60 psi)", the upper case characters being at least 12.7 mm high.
- 3.1.13.** ~~3.1.14.~~ The symbol below if the tyre is a "run flat" or "self supporting" tyre, where "h" is at least 12 mm.

---

2/ Before 1 January 2000, the date of manufacture may be indicated by a group of three digits, the first two showing the week and the last one the year of manufacture.



- 3.2. Tyres shall provide adequate space for the approval mark, as shown in Annex 2 to this Regulation.
- 3.3. Annex 3 to this Regulation gives an example of the arrangement of the tyre markings.
- 3.4. The markings referred to in paragraph 3.1. and the approval mark prescribed in paragraph 5.4. of this Regulation shall be moulded on to or into the tyres. They shall be clearly legible and situated in the lower area of the tyre on at least one of its side walls, except for the inscription mentioned in paragraphs 3.1.1., 3.1.2. and 3.1.13: **3.1.12. above.**
- 3.4.1. However, for tyres identified by the "tyre to rim fitment configuration" (see para. **2.27.1.** 3.1.10.) symbol "A" or "U", the markings may be placed anywhere on the outside sidewall of the tyre.
4. APPLICATION FOR APPROVAL
- 4.1. The application for approval of a type of tyre with regard to this regulation shall be submitted by the tyre manufacturer or by his duly accredited representative. It shall specify:
- 4.1.1. The tyre-size designation;
- 4.1.2. The manufacturer's name;
- 4.1.2.1. The Brand name(s)/trademark(s);
- 4.1.2.2. The trade description(s)/commercial name(s)



- 4.1.3. The category of use (normal tyre or snow tyre, or special use tyre, or for temporary use);
- 4.1.3.1. For the tyres belonging to the category of use "special use tyre" those which may bear the inscription M+S or M.S or M&S.
- 4.1.4. Structure: diagonal (bias ply), bias belted, radial, run flat tyre;
- 4.1.5. The speed category;
- 4.1.6. The load-capacity index of the tyre;
- 4.1.7. Whether the tyre is to be used with or without an inner tube;
- 4.1.8. Whether the tyre is "standard" or "reinforced" or "T-type temporary use spare tyre";
- 4.1.9. The ply-rating number of diagonal (bias-ply) tyres;
- 4.1.10. The overall dimensions: overall section width and outer diameter;
- 4.1.11. The rims on which the tyre can be mounted;
- 4.1.12. The measuring rim and test rim;
- 4.1.13. The test pressure where the manufacturer requests the application of Annex 7, paragraph 1.3. to this Regulation;
- 4.1.14. The factor x referred to in paragraph 2.28. ~~2.22~~ above.
- 4.1.15. For tyres suitable for speeds in excess of 300 km/h, the maximum speed permitted by the tyre manufacturer and the load carrying capacity allowed for that maximum speed. The tyre manufacturer must also specify these values in the technical literature for the tyre type.
- 4.1.16. The identification of the bead retention rim contours specific for the "flat tyre running mode" of "run flat tyres".
- 4.2. The application for approval shall be accompanied (all in triplicate) by a sketch, or a representative photograph, which identify the tyre tread pattern and a sketch of the envelope of the inflated tyre mounted on the measuring rim, showing the relevant dimensions (see paragraphs 6.1.1. and 6.1.2.) of the type submitted for approval. It shall also be accompanied either by the test report issued by the approved Test Laboratory or by one or two samples of the tyre type, at the discretion of the Competent Authority. Drawings or photographs of the side wall and tread of the tyre

shall be submitted once production has been established, no later than one year after the date of issue of the type approval.

4.3. The Competent Authority shall verify the existence of satisfactory arrangements for ensuring effective control of the conformity of production before type approval is granted.

4.4. Where a tyre manufacturer submits application for type approval for a range of tyres, it is not considered necessary to carry out a load/speed test on every type of tyre in the range. Worst case selection may be made at the discretion of the Approval Authority.

## 5. APPROVAL

5.1. If the tyre submitted for approval in pursuance of this Regulation meets the requirements of paragraph 6 below, approval of that type of tyre shall be granted.

5.2. An approval number shall be assigned to each type approved. Its first two digits (at present 02) shall indicate the series of amendments incorporating the most recent major technical amendments made to the Regulation at the time of issue of the approval. The same Contracting Party shall not assign the same number to another tyre type covered by this Regulation.

5.3. Notice of approval or of extension or refusal or withdrawal of approval or production definitively discontinued of a type of tyre pursuant to this Regulation shall be communicated to the Parties to the 1958 Agreement applying this Regulation, by means of a form conforming to the model in Annex 1 to this Regulation.

5.3.1. Where type approval is granted for a tyre type suitable for speeds over 300 km/h (see paragraph 4.1.15.), the relevant maximum speed (km/h) and the load carrying capacity (kg) allowed for the maximum speed shall be notified in clear in section 10 of the communication form (see Annex 1 of this Regulation); load carrying capacities for intermediate speeds higher than 300 km/h may also be specified.

5.4. There shall be affixed conspicuously to every tyre conforming to a type of tyre approved under this Regulation, in the space referred to in paragraph 3.2. above and in addition to the markings prescribed in paragraph 3.1. above, an international approval mark consisting of:

5.4.1. A circle surrounding the letter "E" followed by the distinguishing number of the country which has granted approval; 3/

---

3/ 1 for Germany, 2 for France, 3 for Italy, 4 for the Netherlands, 5 for Sweden, 6 for Belgium, 7 for Hungary, 8 for the Czech Republic, 9 for Spain, 10 for Serbia, 11 for the United Kingdom, 12 for Austria, 13 for Luxembourg, 14 for Switzerland, 15 (vacant), 16 for Norway, 17 for Finland, 18 for

- 5.4.2. An approval number.
- 5.5. The approval mark shall be clearly legible and be indelible.
- 5.6. Annex 2 to this Regulation gives an example of the arrangement of the approval mark.

## 6. REQUIREMENTS

### 6.1. Dimensions of tyres

#### 6.1.1. Section width of a tyre

- 6.1.1.1. The section width shall be calculated by the following formula:

$$S = S_1 + K (A - A_1),$$

where:

S is the "section width" rounded to the nearest millimetre and measured on the measuring rim;

S<sub>1</sub> is the "nominal section width" (in mm) as shown on the side wall of the tyre in the designation of the tyre as prescribed;

A is the width (expressed in mm) of the measuring rim, as shown by the manufacturer in the descriptive note, 5/

A<sub>1</sub> is the width (expressed in mm) of the theoretical rim.

A<sub>1</sub> shall be taken to equal S<sub>1</sub> multiplied by the factor x, as specified by the manufacturer, and K shall be taken to equal 0.4.

---

Denmark, 19 for Romania, 20 for Poland, 21 for Portugal, 22 for the Russian Federation, 23 for Greece, 24 for Ireland, 25 for Croatia, 26 for Slovenia, 27 for Slovakia, 28 for Belarus, 29 for Estonia, 30 (vacant), 31 for Bosnia and Herzegovina, 32 for Latvia, 33 (vacant), 34 for Bulgaria, 35 (vacant), 36 for Lithuania, 37 for Turkey, 38 (vacant), 39 for Azerbaijan, 40 for The former Yugoslav Republic of Macedonia, 41 (vacant), 42 for the European Community (Approvals are granted by its Member States using their respective ECE symbol), 43 for Japan, 44 (vacant), 45 for Australia, 46 for Ukraine, 47 for South Africa, 48 for New Zealand, 49 for Cyprus, 50 for Malta, 51 for the Republic of Korea, 52 for Malaysia, 53 for Thailand, 54 and 55 (vacant) and 56 for Montenegro. Subsequent numbers shall be assigned to other countries in the chronological order in which they ratify or accede to the Agreement Concerning the Adoption of Uniform Technical Prescriptions for Wheeled Vehicles, Equipment and Parts which can be Fitted and/or be Used on Wheeled Vehicles and the Conditions for Reciprocal Recognition of Approvals Granted on the Basis of these Prescriptions, and the numbers thus assigned shall be communicated by the Secretary-General of the United Nations to the Contracting Parties to the Agreement.

- 6.1.1.2. However, for the types of tyres for which the designation is given in the first column of the tables in Annex 5 to this Regulation, the section width shall be that given opposite the tyre designation in these tables.
- 6.1.1.3. However, for tyres identified by the "tyre to rim fitment configuration" (see para. **2.27.1.** ~~3.1.10.~~) symbol "A" or "U", K shall be taken equal to 0.6.

---

5/ When the conventional number is given by codes, the value in mm is obtained by multiplying such number by 25.4."

6.1.2. Outer diameter of a tyre

6.1.2.1. The outer diameter of a tyre shall be obtained by means of the following formula:

$$D = d + 2H$$

where:

D is the outer diameter expressed in millimetres;

d is the nominal rim diameter defined in paragraph 2.23. above, expressed in millimetres;

H is the nominal section height rounded to the nearest millimetre and is equal to:

$$H = S_1 \cdot 0.01 Ra, \text{ where}$$

S<sub>1</sub> is the nominal section width in millimetres (mm);

Ra is the nominal aspect ratio;

all as shown on the sidewall of the tyre in the tyre-size designation in conformity with the requirements of paragraph 3.4. above.

6.1.2.2. However, for the types of tyres for which the designation is given in the first column of the tables of Annex 5 to this Regulation the outer diameter shall be that given opposite the "size" designation in these tables.

6.1.2.3. However, for tyres identified by the "tyre to rim fitment configuration" (see para. **2.27.1.** ~~3.1.10.~~) symbol "A" or "U", the outer diameter shall be that specified in the tyre size designation as shown on the sidewall of the tyre.

6.1.3. Method of measuring tyres

The dimensions of tyres shall be measured by the procedure described in Annex 6 to this Regulation.

6.1.4. Tyre section width specifications

6.1.4.1. The overall width of a tyre may be less than the section width determined pursuant to paragraph 6.1.1. above.

6.1.4.2. It may exceed that value by the following percentages, whereby the limits shall be rounded to the nearest mm:

6.1.4.2.1. in diagonal (bias-ply) tyres: 6 per cent;

- 6.1.4.2.2. in radial ply, run flat tyres: 4 per cent;
- 6.1.4.2.3. in addition, if the tyre has special protective ribs (or bands), the figure as increased by the above tolerance may be exceeded by 8 mm.
- 6.1.4.2.4. However, for tyres identified by the "tyre to rim fitment configuration" (see para. **2.27.1.** ~~3.+4.~~) symbol "A" or "U", the overall width of the tyre, in the lower area of the tyre, equals the nominal width of the rim on which the tyre is mounted, as shown by the manufacturer in the descriptive note, increased by 20 mm.

6.1.5. Tyre outer diameter specifications

The outer diameter of a tyre must not be outside the values  $D_{\min}$  and  $D_{\max}$  obtained from the following formulae:

$$D_{\min} = d + 2 \cdot H_{\min}$$

$$D_{\max} = d + 2 \cdot H_{\max}$$

where:

$$H_{\min} = H \cdot a \quad \text{rounded to the nearest mm}$$

$$H_{\max} = H \cdot b \quad \text{rounded to the nearest mm}$$

and

- 6.1.5.1. For sizes listed in Annex 5 and for tyres identified by the "tyre to rim fitment configuration" (see para. **2.27.1.** ~~3.+4.~~) symbol "A" or "U", the nominal section height H is equal to:

$$H = 0.5 (D-d) \text{ , rounded to the nearest mm – for references see paragraph 6.1.2.1.}$$

- 6.1.5.2. for other sizes, not listed in Annex 5, "H" and "d" are as defined in paragraph 6.1.2.1,

- 6.1.5.3. Coefficients "a" and "b" are respectively:

- 6.1.5.3.1. Coefficient "a" = 0.97

- 6.1.5.3.2. Coefficient "b"
- |                       | <u>Radial, Run flat tyre</u> | <u>Diagonal and Bias Belted</u> |
|-----------------------|------------------------------|---------------------------------|
| for normal tyres      | 1.04                         | 1.08                            |
| for special-use tyres | 1.06                         | 1.09                            |

- 6.1.5.4. For tyres of the category of use "snow tyre" the outer diameter shall not exceed the following value

$$D_{\max, \text{snow}} = 1.01 \cdot D_{\max} \quad \text{rounded to the nearest mm}$$

where  $D_{\max}$  is the maximum outer diameter established in conformity with the above.

- 6.2. Load/speed performance test
- 6.2.1. The tyre shall undergo a load/speed performance test carried out by the procedure described in Annex 7 to this Regulation.
- 6.2.1.1. Where application is made for tyres identified by means of letter code "ZR" within the size designation and suitable for speeds over 300 km/h (see paragraph 4.1.15.), the above load/speed test is carried out on one tyre at conditions appropriate for the load index marked on the tyre and the speed symbol "Y". Another load/speed test must be carried out on a second sample of the same tyre type according to paragraph 2.6. of Annex 7 corresponding to the load and speed conditions specified as maximum by the tyre manufacturer (see paragraph 4.1.15. of this Regulation).
- The second test may be carried out on the same tyre sample if the tyre manufacturer agrees.
- 6.2.1.2. Where application is made for the type approval of a "run flat system" the above load speed test is carried out on one tyre, inflated as per paragraph 1.2. of Annex 7, at the load and speed conditions marked on the tyre (see paragraph 3.1.4.1.). Another load/speed test must be carried out on a second sample of the same tyre type as specified in paragraph 3. of Annex 7. The second test may be carried out on the same sample if the manufacturer agrees.
- 6.2.2. A tyre which after undergoing the load/speed test as specified in paragraph 2. of Annex 7 does not exhibit any tread separation, ply separation, cord separation, chunking or broken cords shall be deemed to have passed the test.
- 6.2.2.1. However, a tyre marked with the speed symbol "Y" which, after undergoing the relevant test, exhibits superficial blistering of the tyre tread caused by the specific test equipment and conditions, is deemed to have passed the test.
- 6.2.2.2. If a "run flat system" tyre which, after undergoing the test as specified in paragraph 3. of Annex 7, does not exhibit a change in the deflected section height, compared to the deflected section height at the start of the test, higher than 20 per cent and retains the tread connected to the two sidewalls, it is deemed to have passed the test.
- 6.2.3. The outer diameter of the tyre, measured six hours after the load/speed performance test as specified in paragraph 2. of Annex 7, must not differ by more than  $\pm 3.5$  per cent from the outer diameter as measured before the test.
- 6.3. Tread pattern of a tyre

6.3.1. In order to be classified as a "special use tyre" a tyre shall have a block tread pattern in which the blocks are larger and more widely spaced than for normal tyres and have the following characteristics:

- (a) A tread depth  $\geq 11$  mm
- (b) A void-to-fill ratio  $\geq 35$  per cent

6.3.2. In order to be classified as a "professional off-road tyre", a tyre shall have all of the following characteristics:

- (a) A tread depth  $\geq 11$  mm;
- (b) A void-to-fill ratio  $\geq 35$  per cent;
- (c) A maximum speed rating of  $\leq Q$ .

### 6.3.3. Tread-wear indicators

6.3.3.1. The tyre shall include not less than six transverse rows of wear indicators, approximately equally spaced and situated in the principal grooves of the tread. The tread-wear indicators shall be such that they cannot be confused with the rubber ridges between the ribs or blocks of the tread.

6.3.3.2. However, in the case of tyres of dimensions appropriate for mounting on rims of a nominal diameter of 12 or less, four rows of tread-wear indicators shall be accepted.

6.3.3.3. The tread-wear indicators must provide a means of indicating, with a tolerance of  $+0.60/-0.00$  mm, when the tread grooves are no longer more than 1.6 mm deep.

6.3.3.4. The height of tread-wear indicators is determined by measuring the difference between the depth, from the tread's surface, to the top of the tread-wear indicator and to the bottom of the tread groove close to the slope at the base of the tread-wear indicator.

## 7. MODIFICATIONS OF THE TYPE OF TYRE AND EXTENSION OF APPROVAL

7.1. Every modification of the type of tyre shall be notified to the Administrative Department which approved the type of tyre. The department may then either:

7.1.1. Consider that the modifications made are unlikely to have an appreciable adverse effect and that in any case, the tyre still complies with the requirements; or

7.1.2. Require a further test report from the Technical Service responsible for conducting the tests.



7.2. A modification of the tread pattern of the tyre shall not be considered to necessitate a repetition of the tests prescribed in paragraph 6. of this Regulation.

7.3. Confirmation or refusal of approval, specifying the alterations, shall be communicated by the procedure specified in paragraph 5.3. above to the Parties to the Agreement which apply this Regulation.

7.4. The Competent Authority issuing the extension of approval shall assign a series number for such an extension and inform thereof the other Parties to the 1958 Agreement applying this Regulation by means of a communication form conforming to the model in Annex 1 to this Regulation.

## 8. CONFORMITY OF PRODUCTION

The conformity of production procedures shall comply with those set out in the Agreement, Appendix 2 (E/ECE/324-E/ECE/TRANS/505/Rev.2), with the following requirements:

8.1. Tyres approved under this Regulation shall be so manufactured as to conform to the type approved, by meeting the requirements set forth in paragraph 6. above.

8.2. The authority which has granted type approval may at any time verify the conformity control methods applied in each production facility. For each production facility, the normal frequency of these verifications shall be at least once every two years.

## 9. PENALTIES FOR NON-CONFORMITY OF PRODUCTION

9.1. The approval granted in respect of a type of tyre pursuant to this Regulation may be withdrawn if the requirements laid down in paragraph 8.1. above are not complied with or if the tyres taken from the series have failed to pass the tests prescribed in that paragraph.

9.2. If a Contracting Party to the Agreement applying this Regulation withdraws an approval it has previously granted, it shall forthwith so notify the other Contracting Parties applying this Regulation by means of a communication form conforming to the model in Annex 1 to this Regulation.

## 10. PRODUCTION DEFINITELY DISCONTINUED

If the holder of an approval completely ceases to manufacture a type of tyre approved in accordance with this Regulation, he shall so inform the authority which granted the approval. Upon receiving the relevant communication that authority shall inform thereof the other Parties to the 1958 Agreement applying this Regulation by means of a communication form conforming to the model in Annex 1 to this Regulation.

11. TRANSITIONAL PROVISIONS

11.1. Contracting Parties applying this Regulation shall not refuse to grant extensions of approval to preceding series of amendments, or supplement to series of amendments to this Regulation.

11.2. No Contracting Parties applying this Regulation shall refuse a tyre approved to the 01 series of amendments to this Regulation.

11.3. Tread-wear indicators:

11.3.1. As from the date of entry into force of Supplement 4 to the 02 series of amendments, Contracting Parties applying this Regulation may no longer issue approvals pursuant to Supplement 3 to the 02 series of amendments with respect to the requirements of paragraph 6.3.3.

11.3.2. All new tyres manufactured from 1 October 1995 shall conform to the requirements of paragraph 6.3.3. as amended by Supplement 4 to the 02 series of amendments.

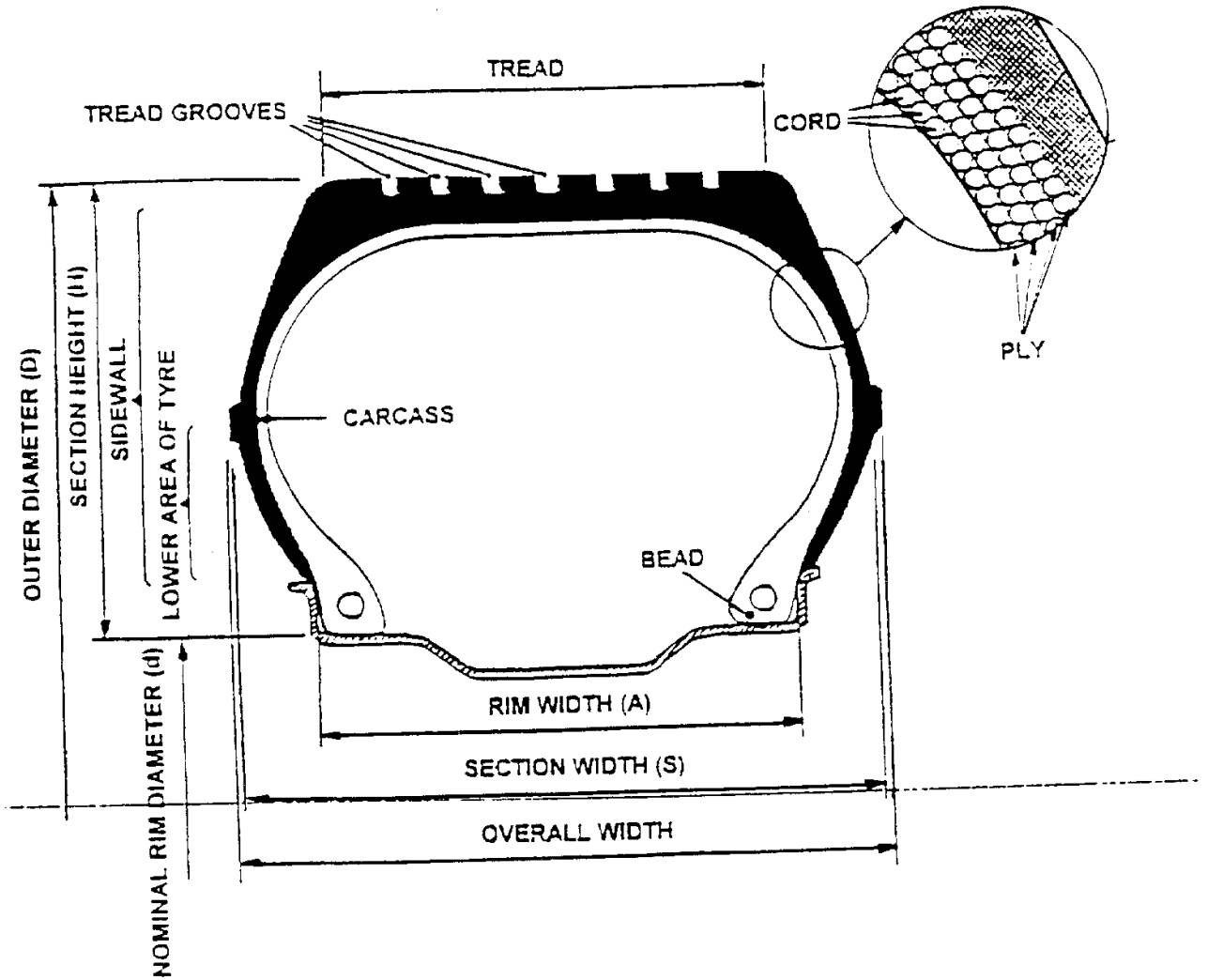
12. NAMES AND ADDRESSES OF TECHNICAL SERVICES RESPONSIBLE FOR CONDUCTING APPROVAL TESTS, OF TEST LABORATORIES, AND OF TYPE APPROVAL AUTHORITIES

12.1. The Contracting Parties to the 1958 Agreement which apply this Regulation shall communicate to the United Nations Secretariat the names and addresses of the technical services responsible for conducting approval tests and, where applicable, of the approved test laboratories and of the Type Approval Authorities which grant approval and to which forms certifying approval, or extension of approval, or refusal of approval or withdrawal of approval or production definitively discontinued, issued in other countries, are to be sent.

12.2. The Contracting Parties to the 1958 Agreement which apply this regulation may designate laboratories of tyre manufacturers as approved, test laboratories.

12.3. Where a Contracting Party to the 1958 Agreement applies paragraph 12.2. above, it may, if it so desires, be represented at the tests by one or more persons of its choice.

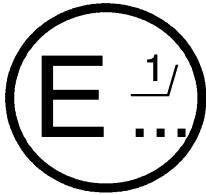
Explanatory figure  
(see paragraph 2 of the Regulation)



Annex 1

COMMUNICATION

(maximum format: A4 (210 x 297 mm))



issued by:

Name of administration:

.....  
.....  
.....

concerning 2/: APPROVAL GRANTED  
APPROVAL EXTENDED  
APPROVAL REFUSED  
APPROVAL WITHDRAWN  
PRODUCTION DEFINITELY DISCONTINUED

of a type of pneumatic tyre for motor vehicles pursuant to Regulation No. 30

Approval No. ....

Extension No. ....

1. Manufacturer's name and address: .....
2. Tyre type designation <sup>3/</sup>.....
  - 2.1. Brand name(s)/trademark(s): .....
  - 2.2. Trade description(s)/ Commercial name(s):.....
3. If applicable, name and address of manufacturer's representative: .....
4. Summarized description: .....

- 4.1. Tyre size designation: .....
- 4.2. Category of use: normal/snow/special use/temporary use 2/.
- 4.3. Structure: diagonal/bias-belted/radial/run flat tyre 2/
- 4.4. Speed category symbol: .....
- 4.5. Load-capacity index: .....
5. Technical Service and, where applicable, test laboratory approved for purposes of approval or of verification of conformity: .....  
.....
6. Date of report issued by that service: .....
7. Number of report issued by that service: .....
8. Reason(s) of extension (if applicable): .....
9. Any remarks: .....
10. Place: .....
11. Date: .....
12. Signature: .....
13. Annexed to this communication is a list of documents in the approval file deposited at the Administrative services having delivered the approval and which can be obtained upon request.

---

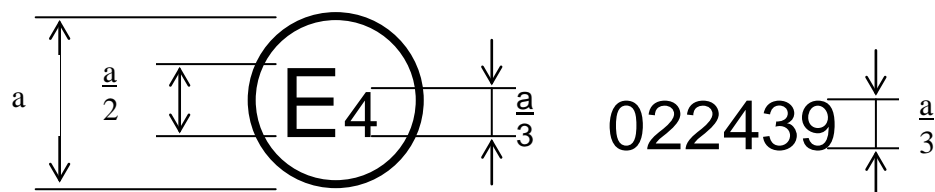
1/ Distinguishing number of the country which has granted/extended/refused/withdrawn approval (see approval provisions in the Regulation).

2/ Strike out what does not apply.

3/ A list of Brand name(s)/trademark(s) or Trade description(s)/ Commercial name(s) may be annexed to this communication

Annex 2

EXAMPLE OF THE ARRANGEMENT OF THE APPROVAL MARK



$a = 12 \text{ mm min.}$

The above approval mark affixed to a tyre shows that the type of tyre concerned has been approved in the Netherlands (E 4) under approval number 022439

Note: The first two digits of the approval number indicate that the approval was granted in accordance with the requirements of this Regulation as amended by the 02 series of amendments.

The approval number must be placed close to the circle and either above or below the "E" or to left or right of that letter. The digits of the approval number must be on the same side of the "E" and face in the same direction. The use of Roman numerals as approval numbers should be avoided so as to prevent any confusion with other symbols.



2. In the particular case of tyres having a tyre to rim fitment configuration "A" or "U", the marking shall be in the form of the following example:

185-560 R 400A, or 185-560 R 400U where:

185 is the nominal section width in mm,

560 is the outer diameter expressed in mm,

R is an indication of the structure of the tyre - see paragraph **2.25.3.** ~~3.1.3.~~ of this Regulation,

400 is the nominal diameter of the rim expressed in mm,

A or U is the tyre to rim fitment configuration.

The marking of the load index, speed category, date of manufacture and other markings, shall be as given in example 1 above.

3. The positioning and order of the markings constituting the tyre designation shall be the following:
- the size designation as defined in paragraph **2.25.** ~~2.17.~~ of this Regulation shall be grouped as shown in the above examples: 185/70 R 14 and 185-560 R 400A or 185-560 R 400U;
  - the service description comprising the load index and the speed symbol shall be placed immediately after the tyre size designation as defined in paragraph **2.25.** ~~2.17.~~ of this Regulation;
  - The symbols "TUBELESS", "REINFORCED", "M + S" and "ET" and "POR" may be at a distance from the size-designation.



Annex 4

LOAD-CAPACITY INDICES

Li = Load-capacity index

kg = Corresponding mass of the vehicle which is to be carried.

| Li | kg   | Li | kg  | Li | kg  | Li  | kg    |
|----|------|----|-----|----|-----|-----|-------|
| 0  | 45   | 31 | 109 | 61 | 257 | 91  | 615   |
| 1  | 46.2 | 32 | 112 | 62 | 265 | 92  | 630   |
| 2  | 47.5 | 33 | 115 | 63 | 272 | 93  | 650   |
| 3  | 48.7 | 34 | 118 | 64 | 280 | 94  | 670   |
| 4  | 50   | 35 | 121 | 65 | 290 | 95  | 690   |
| 5  | 51.5 | 36 | 125 | 66 | 300 | 96  | 710   |
| 6  | 53   | 37 | 128 | 67 | 307 | 97  | 730   |
| 7  | 54.5 | 38 | 132 | 68 | 315 | 98  | 750   |
| 8  | 56   | 39 | 136 | 69 | 325 | 99  | 775   |
| 9  | 58   | 40 | 140 | 70 | 335 | 100 | 800   |
| 10 | 60   | 41 | 145 | 71 | 345 | 101 | 825   |
| 11 | 61.5 | 42 | 150 | 72 | 355 | 102 | 850   |
| 12 | 63   | 43 | 155 | 73 | 365 | 103 | 875   |
| 13 | 65   | 44 | 160 | 74 | 375 | 104 | 900   |
| 14 | 67   | 45 | 165 | 75 | 387 | 105 | 925   |
| 15 | 69   | 46 | 170 | 76 | 400 | 106 | 950   |
| 16 | 71   | 47 | 175 | 77 | 412 | 107 | 975   |
| 17 | 73   | 48 | 180 | 78 | 425 | 108 | 1 000 |
| 18 | 75   | 49 | 185 | 79 | 437 | 109 | 1 030 |
| 19 | 77.5 | 50 | 190 | 80 | 450 | 110 | 1 060 |
| 20 | 80   | 51 | 195 | 81 | 462 | 111 | 1 090 |
| 21 | 82.5 | 52 | 200 | 82 | 475 | 112 | 1 120 |
| 22 | 85   | 53 | 206 | 83 | 487 | 113 | 1 150 |
| 23 | 87.5 | 54 | 212 | 84 | 500 | 114 | 1 180 |
| 24 | 90   | 55 | 218 | 85 | 515 | 115 | 1 215 |
| 25 | 92.5 | 56 | 224 | 86 | 530 | 116 | 1 250 |
| 26 | 95   | 57 | 230 | 87 | 545 | 117 | 1 285 |
| 27 | 97.5 | 58 | 236 | 88 | 560 | 118 | 1 320 |
| 28 | 100  | 59 | 243 | 89 | 580 | 119 | 1 360 |
| 29 | 103  | 60 | 250 | 90 | 600 | 120 | 1 400 |
| 30 | 106  |    |     |    |     |     |       |

Annex 5

TYRE SIZE DESIGNATION AND DIMENSIONS

Table I. Tyres in Diagonal Construction (European tyres)

| Size                                      | Measuring rim width code | Overall diameter <u>1</u> /<br>mm | Tyre section width <u>1</u> /<br>mm | Nominal rim diameter "d"<br>mm |
|---|--------------------------|-----------------------------------|-------------------------------------|--------------------------------|
| <b>Super Ballon Series</b>                |                          |                                   |                                     |                                |
| 4.80-10                                   | 3.5                      | 490                               | 128                                 | 254                            |
| 5.20-10                                   | 3.5                      | 508                               | 132                                 | 254                            |
| 5.20-12                                   | 3.5                      | 558                               | 132                                 | 305                            |
| 5.60-13                                   | 4                        | 600                               | 145                                 | 330                            |
| 5.90-13                                   | 4                        | 616                               | 150                                 | 330                            |
| 6.40-13                                   | 4.5                      | 642                               | 163                                 | 330                            |
| 5.20-14                                   | 3.5                      | 612                               | 132                                 | 356                            |
| 5.60-14                                   | 4                        | 626                               | 145                                 | 356                            |
| 5.90-14                                   | 4                        | 642                               | 150                                 | 356                            |
| 6.40-14                                   | 4.5                      | 666                               | 163                                 | 356                            |
| 5.60-15                                   | 4                        | 650                               | 145                                 | 381                            |
| 5.90-15                                   | 4                        | 668                               | 150                                 | 381                            |
| 6.40-15                                   | 4.5                      | 692                               | 163                                 | 381                            |
| 6.70-15                                   | 4.5                      | 710                               | 170                                 | 381                            |
| 7.10-15                                   | 5                        | 724                               | 180                                 | 381                            |
| 7.60-15                                   | 5.5                      | 742                               | 193                                 | 381                            |
| 8.20-15                                   | 6                        | 760                               | 213                                 | 381                            |
| <b>Low Section Series</b>                 |                          |                                   |                                     |                                |
| 5.50-12                                   | 4                        | 552                               | 142                                 | 305                            |
| 6.00-12                                   | 4.5                      | 574                               | 156                                 | 305                            |
| 7.00-13                                   | 5                        | 644                               | 178                                 | 330                            |
| 7.00-14                                   | 5                        | 668                               | 178                                 | 356                            |
| 7.50-14                                   | 5.5                      | 688                               | 190                                 | 356                            |
| 8.00-14                                   | 6                        | 702                               | 203                                 | 356                            |
| 6.00-15 L                                 | 4.5                      | 650                               | 156                                 | 381                            |
| <b>Super Low Section Series <u>2</u>/</b> |                          |                                   |                                     |                                |
| 155-13/6.15-13                            | 4.5                      | 582                               | 157                                 | 330                            |
| 165-13/6.45-13                            | 4.5                      | 600                               | 167                                 | 330                            |
| 175-13/6.95-13                            | 5                        | 610                               | 178                                 | 330                            |
| 155-14/6.15-14                            | 4.5                      | 608                               | 157                                 | 356                            |

| Size                     | Measuring rim width code | Overall diameter <u>1</u> /<br>mm | Tyre section width <u>1</u> /<br>mm | Nominal rim diameter "d"<br>mm |
|--------------------------|--------------------------|-----------------------------------|-------------------------------------|--------------------------------|
| 165-14/6.45-14           | 4.5                      | 626                               | 167                                 | 356                            |
| 175-14/6.95-14           | 5                        | 638                               | 178                                 | 356                            |
| 185-14/7.35-14           | 5.5                      | 654                               | 188                                 | 356                            |
| 195-14/7.75-14           | 5.5                      | 670                               | 198                                 | 356                            |
| <b>Ultra Low Section</b> |                          |                                   |                                     |                                |
| 5.9-10                   | 4                        | 483                               | 148                                 | 254                            |
| 6.5-13                   | 4.5                      | 586                               | 166                                 | 330                            |
| 6.9-13                   | 4.5                      | 600                               | 172                                 | 330                            |
| 7.3-13                   | 5                        | 614                               | 184                                 | 330                            |

1/ Tolerance: see paragraphs 6.1.4. and 6.1.5.

2/ The following size designations are accepted: 185-14/7.35-14 or 185-14 or 7.35-14 or 7.35-14/185-14.

**Table II. Millimetric Series - Radial (European tyres)**

| Size     | Measuring rim width code | Overall diameter <u>1</u> /<br>mm | Tyre section width <u>1</u> /<br>mm | Nominal rim diameter "d"<br>mm |
|----------|--------------------------|-----------------------------------|-------------------------------------|--------------------------------|
| 125 R 10 | 3.5                      | 459                               | 127                                 | 254                            |
| 145 R 10 | 4                        | 492                               | 147                                 | 254                            |
| 125 R 12 | 3.5                      | 510                               | 127                                 | 305                            |
| 135 R 12 | 4                        | 522                               | 137                                 | 305                            |
| 145 R 12 | 4                        | 542                               | 147                                 | 305                            |
| 155 R 12 | 4.5                      | 550                               | 157                                 | 305                            |
| 125 R 13 | 3.5                      | 536                               | 127                                 | 330                            |
| 135 R 13 | 4                        | 548                               | 137                                 | 330                            |
| 145 R 13 | 4                        | 566                               | 147                                 | 330                            |
| 155 R 13 | 4.5                      | 578                               | 157                                 | 330                            |
| 165 R 13 | 4.5                      | 596                               | 167                                 | 330                            |
| 175 R 13 | 5                        | 608                               | 178                                 | 330                            |
| 185 R 13 | 5.5                      | 624                               | 188                                 | 330                            |
| 125 R 14 | 3.5                      | 562                               | 127                                 | 356                            |
| 135 R 14 | 4                        | 574                               | 137                                 | 356                            |
| 145 R 14 | 4                        | 590                               | 147                                 | 356                            |

| Size     | Measuring rim width code | Overall diameter <u>1</u> /<br>mm | Tyre section width <u>1</u> /<br>mm | Nominal rim diameter "d"<br>mm |
|----------|--------------------------|-----------------------------------|-------------------------------------|--------------------------------|
| 155 R 14 | 4.5                      | 604                               | 157                                 | 356                            |
| 165 R 14 | 4.5                      | 622                               | 167                                 | 356                            |
| 175 R 14 | 5                        | 634                               | 178                                 | 356                            |
| 185 R 14 | 5.5                      | 650                               | 188                                 | 356                            |
| 195 R 14 | 5.5                      | 666                               | 198                                 | 356                            |
| 205 R 14 | 6                        | 686                               | 208                                 | 356                            |
| 215 R 14 | 6                        | 700                               | 218                                 | 356                            |
| 225 R 14 | 6.5                      | 714                               | 228                                 | 356                            |
| 125 R 15 | 3.5                      | 588                               | 127                                 | 381                            |
| 135 R 15 | 4                        | 600                               | 137                                 | 381                            |
| 145 R 15 | 4                        | 616                               | 147                                 | 381                            |
| 155 R 15 | 4.5                      | 630                               | 157                                 | 381                            |
| 165 R 15 | 4.5                      | 646                               | 167                                 | 381                            |
| 175 R 15 | 5                        | 660                               | 178                                 | 381                            |
| 185 R 15 | 5.5                      | 674                               | 188                                 | 381                            |
| 195 R 15 | 5.5                      | 690                               | 198                                 | 381                            |
| 205 R 15 | 6                        | 710                               | 208                                 | 381                            |
| 215 R 15 | 6                        | 724                               | 218                                 | 381                            |
| 225 R 15 | 6.5                      | 738                               | 228                                 | 381                            |
| 235 R 15 | 6.5                      | 752                               | 238                                 | 381                            |
| 175 R 16 | 5                        | 686                               | 178                                 | 406                            |
| 185 R 16 | 5.5                      | 698                               | 188                                 | 406                            |
| 205 R 16 | 6                        | 736                               | 208                                 | 406                            |

1/ Tolerance: see paragraphs 6.1.4. and 6.1.5.

Table III. 45 Series - Radial on TR Metric 5° Rims

| Size         | Measuring rim width | Overall diameter | Tyre section width |
|--------------|---------------------|------------------|--------------------|
| 280/45 R 415 | 240                 | 661              | 281                |

Annex 6

**Method of measuring tyres**

- 1.1. Mount the tyre on the measuring rim specified by the manufacturer pursuant to paragraph 4.1.12. of this Regulation and inflate it to a pressure of 3 to 3.5 bar.
- 1.2. Adjust the pressure as follows:
  - 1.2.1. in standard bias-belted tyres: to 1.7 bar;
  - 1.2.2. in diagonal (bias-ply) tyres: to:

| Ply-rating | Pressure (bar) |            |            |
|------------|----------------|------------|------------|
|            | Speed category |            |            |
|            | L, M, N        | P, Q, R, S | T, U, H, V |
| 4          | 1.7            | 2.0        | -          |
| 6          | 2.1            | 2.4        | 2.6        |
| 8          | 2.5            | 2.8        | 3.0        |

- 1.2.3. in standard radial tyres: to 1.8 bar;
- 1.2.4. in reinforced tyres: to 2.2 bar;
- 1.2.5. in T-tyre temporary use spare tyres: to 4.2. bar.
2. Condition the tyre, mounted on its rim, at the ambient room temperature for not less than 24 hours, save as otherwise prescribed in paragraph 6.2.3. of this Regulation.
3. Readjust the pressure to the level specified in paragraph 1.2. above.
4. Measure the overall width by calliper at six equally-spaced points, taking the thickness of the protective ribs or bands into account. The highest measurement so obtained is taken as the overall width.
5. Determine the outer diameter by measuring the maximum circumference and dividing the figure so obtained by  $\pi$  (3.1416).

Annex 7

PROCEDURE FOR LOAD/SPEED PERFORMANCE TESTS

1. Preparing the tyre
  - 1.1. Mount a new tyre on the test rim specified by the manufacturer pursuant to paragraph 4.1.12. of this Regulation.
  - 1.2. Inflate it to the appropriate pressure as given (in bar) in the table below:

T-type temporary use spare tyres: to 4.2 bar.

| Speed category | Diagonal (bias-ply) tyres |     |     | Radial / Run flat system |            | Bias-belted tyres |
|----------------|---------------------------|-----|-----|--------------------------|------------|-------------------|
|                | Ply rating                |     |     | Standard                 | Reinforced | Standard          |
|                | 4                         | 6   | 8   |                          |            |                   |
| L, M, N        | 2.3                       | 2.7 | 3.0 | 2.4                      | 2.8        | -                 |
| P, Q, R, S     | 2.6                       | 3.0 | 3.3 | 2.6                      | 3.0        | 2.6               |
| T, U, H        | 2.8                       | 3.2 | 3.5 | 2.8                      | 3.2        | 2.8               |
| V              | 3.0                       | 3.4 | 3.7 | 3.0                      | 3.4        | -                 |
| W              | -                         | -   | -   | 3.2                      | 3.6        | -                 |
| Y              | -                         | -   | -   | 3.2 <sup>1/</sup>        | 3.6        | -                 |

- 1.3. The manufacturer may request, giving reasons, the use of a test-inflation pressure differing from those given under paragraph 1.2. above. In such a case the tyre shall be inflated to that pressure.
- 1.4. Condition the tyre-and-wheel assembly at test-room temperature for not less than three hours.

---

<sup>1/</sup> The value of "3.2" in respect of Speed Category "Y" tyres was inadvertently omitted from Supplement 5 to the 02 series of amendments which entered into force on 8 January 1995 and may be considered as a Corrigendum to this Supplement and to have been effective from that same date.

- 1.5. Readjust the tyre pressure to that specified in paragraph 1.2. or 1.3. above.
2. Carrying out the test
  - 2.1. Mount the tyre-and-wheel assembly on a test axle and press it against the outer face of a smooth wheel  $1.70\text{ m} \pm 1$  per cent or  $2\text{ m} \pm 1$  per cent in diameter.
  - 2.2. Apply to the test axle a load equal to eighty per cent of:
    - 2.2.1. The maximum load rating equated to the Load Capacity Index for tyres with Speed Symbols L to H inclusive,
    - 2.2.2. The maximum load rating associated with a maximum speed of 240 km/h for tyres Speed Symbol "V" (see para. **2.40.2.** ~~2.37.2.~~ of this Regulation).
    - 2.2.3. The maximum load rating associated with a maximum speed of 270 km/h for tyres with speed symbol "W" (see paragraph **2.40.3.** ~~2.37.3.~~ of this Regulation).
    - 2.2.4. The maximum load rating associated with a maximum speed of 300 km/h for tyres with speed symbol "Y" (see paragraph **2.40.4.** ~~2.37.4.~~ of this Regulation).
  - 2.3. Throughout the test the tyre pressure must not be corrected and the test load must be kept constant.
  - 2.4. During the test the temperature in the test-room must be maintained at between 20° and 30° or at a higher temperature if the manufacturer agrees.
  - 2.5. Carry the test through, without interruption in conformity with the following particulars:
    - 2.5.1. time taken to pass from zero speed to initial test speed: 10 minutes;
    - 2.5.2. Initial test speed: prescribed maximum speed for the type of tyre (see paragraph **2.37.1.** ~~2.34.1.~~ of this Regulation), less 40 km/h in the case of the smooth wheel having  $1.70\text{ m} \pm 1$  per cent in diameter or less 30 km/h in the case of the smooth wheel having  $2\text{ m} \pm 1$  per cent in diameter;
    - 2.5.3. successive speed increments: 10 km/h;
    - 2.5.4. duration of test at each speed step except the last: 10 minutes;
    - 2.5.5. duration of test at last speed step: 20 minutes;

- 2.5.6. maximum test speed: prescribed maximum speed for the type of tyre, less 10 km/h in the case of the smooth wheel having  $1.7 \text{ m} \pm 1$  per cent in diameter or equal to the prescribed maximum speed in the case of the smooth wheel having  $2 \text{ m} \pm 1$  per cent in diameter.
- 2.5.7. however, for tyres suitable for maximum speed of 300 km/h (speed symbol "Y"), the duration of the test is 20 minutes at the initial test speed step and 10 minutes at the last speed step.
- 2.6. The procedure for the second test (see paragraph 6.2.1.1.), to assess the performance of a tyre suitable for speeds in excess of 300 km/h, shall be as follows:
- 2.6.1. Apply to the test axle a load equal to 80 per cent of the maximum load rating associated with the maximum speed specified by the tyre manufacturer (see paragraph 4.1.15. of this Regulation).
- 2.6.2. The test shall be run without interruptions in accordance with the following:
- 2.6.2.1. Ten minutes to build up from zero to the maximum test speed for the second test.
- 2.6.2.2. Five minutes at the maximum test speed for the second test.
- 2.6.2.3. Maximum test speed for the second test: maximum speed specified by the tyre manufacturer (see paragraph 4.1.15. of this Regulation), less 10 km/h in the case of the smooth wheel having  $1.7 \text{ m} \pm 1$  per cent in diameter or equal to the maximum speed specified by the tyre manufacturer in the case of the smooth wheel having  $2 \text{ m} \pm 1$  per cent in diameter.
3. Procedure to assess the "flat tyre running mode" of "run flat system".
- 3.1. Mount a new tyre on the test rim specified by the manufacturer pursuant to paragraphs 4.1.12. and 4.1.15. of this Regulation.
- 3.2. Carry out the procedure as detailed in paragraphs 1.2. to 1.5. above with a test room temperature at  $38 \text{ }^\circ\text{C} \pm 3 \text{ }^\circ\text{C}$  in relation to conditioning the tyre-and-wheel assembly as detailed in paragraph 1.4.
- 3.3. Remove the valve insert and wait until the tyre deflates completely.
- 3.4. Mount the tyre-and-wheel assembly to a test axle and press it against the outer surface of a smooth wheel  $1.70 \text{ m} \pm 1$  per cent or  $2.0 \text{ m} \pm 1$  per cent in diameter.



- 3.5. Apply to the test axle a load equal to 65 per cent of the maximum load rating corresponding to the load capacity index of the tyre.
- 3.6. At the start of the test, measure the deflected section height (Z1).
- 3.7. During the test the temperature of the test room must be maintained at  $38^{\circ}\text{C} \pm 3^{\circ}\text{C}$ .
- 3.8. Carry the test through, without interruption in conformity with the following particulars:
  - 3.8.1. time taken to pass from zero speed to constant test speed: 5 minutes
  - 3.8.2. test speed: 80 km/h
  - 3.8.3. duration of test at the test speed: 60 minutes
- 3.9. At the end of the test, measure the deflected section height (Z2).
- 3.9.1. Calculate the change in per cent of the deflected section height compared to the deflected section height at the start of the test as  $((Z1 - Z2) / Z1) \times 100$ .

4. Equivalent test methods

If a method other than that described in paragraphs 2. and/or 3. above is used, its equivalence must be demonstrated.

-----