



Economic and Social Council

Distr.: General
22 August 2018

Original: English

Economic Commission for Europe

Inland Transport Committee

World Forum for Harmonization of Vehicle Regulations

176th session

Geneva, 13-16 November 2018

Item 4.10.5 of the provisional agenda

1958 Agreement:

Consideration of draft corrigenda to existing

UN Regulations submitted by GRs, if any

Proposal for Corrigendum 2 to Revision 5 to UN Regulation No. 14 (Safety-belt anchorages)

Submitted by the Working Party on Passive Safety*

The text reproduced below was adopted by the Working Party on Passive Safety (GRSP) at its sixty-third session (ECE/TRANS/WP.29/GRSP/63, para. 15). It is based on ECE/TRANS/WP.29/GRSP/2018/12, as reproduced in Annex IV to the report. It is submitted to the World Forum for Harmonization of Vehicle Regulations (WP.29) and to the Administrative Committee AC.1 for consideration at their November 2018 sessions.

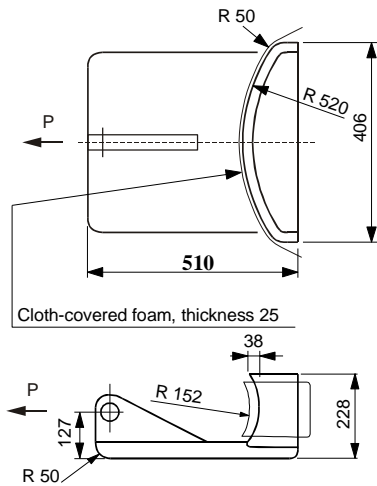
* In accordance with the programme of work of the Inland Transport Committee for 2018–2019 (ECE/TRANS/274, para. 123 and ECE/TRANS/2018/21/Add.1, cluster 3.1), the World Forum will develop, harmonize and update UN Regulations in order to enhance the performance of vehicles. The present document is submitted in conformity with that mandate.

Corrigendum 2 to Revision 5 to UN Regulation No. 14 (Safety-belt anchorages)

Annex 5,

Figure 1, correct to read:

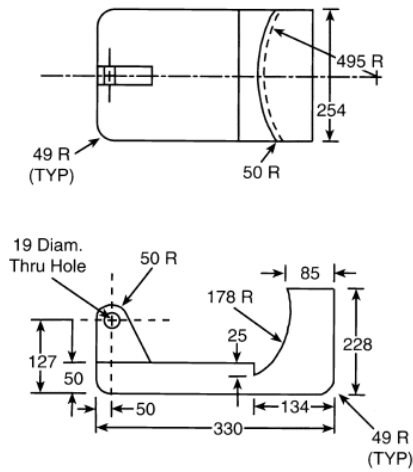
"



All dimensions in millimetres (mm)"

Figure 1a, correct to read:

"



NOTES:

1. Block Covered by
25 Med. Density Canvas
Covered Foam Rubber

2. All Dimensions in
millimeters (mm)



"