

UN/SCETDG/50/INF.7/Add.2 UN/SCEGHS/32/INF.5/Add.2

Committee of Experts on the Transport of Dangerous Goods and on the Globally Harmonized System of Classification and Labelling of Chemicals

16 September 2016

Sub-Committee of Experts on the Transport of Dangerous Goods

Fiftieth session

Geneva, 27 November – 6 December 2016

Item 7 (g) of the provisional agenda

**Issues relating to the Globally Harmonized System
of Classification and Labelling of Chemicals: Use
of the Manual of Tests and Criteria in the context
of the GHS**

Sub-Committee of Experts on the Globally Harmonized System of Classification and Labelling of Chemicals

Thirty-second session

Geneva, 7 – 9 December 2016

Item 2 (b) of the provisional agenda

**Work of the TDG Sub-Committee on matters of
interest to the GHS Sub-Committee**

Revision of the Manual of Tests and Criteria: Part I: Section 18

**Transmitted by the Chairman of the Working Group on Explosives on
behalf of the Working Group**

SECTION 18

TEST SERIES 8

18.1 Introduction

The assessment whether a candidate for "ammonium nitrate emulsion or suspension or gel, intermediate for blasting explosives (ANE)" is insensitive enough for inclusion in Division 5.1 is answered by series 8 tests and any such candidate for inclusion in Division 5.1 should pass each of the three types of tests comprising the series. The three test types are:

- Type 8 (a): a test to determine the thermal stability;
- Type 8 (b): a shock test to determine sensitivity to intense shock;
- Type 8 (c): a test to determine the effect of heating under confinement;

Test series 8 (d) has been included in this section as one method to evaluate the suitability of ANEs for [containment ~~the transport~~ in portable tanks as an oxidizing substance](#).

18.2 Test methods

The test methods currently used are listed in Table 18.1.

Table 18.1: TEST METHODS FOR TEST SERIES 8

Test code	Name of Test	Section
8 (a)	Thermal Stability Test for ANE ^a	18.4
8 (b)	ANE Gap Test ^a	18.5
8 (c)	Koenen test ^a	18.6
8 (d)	Vented pipe tests ^b	18.7

^a This test is intended for classification.

^b These tests are intended for evaluating the suitability of ANEs for [containment ~~transport~~ in portable tanks as an oxidizing substance](#).

18.3 Test conditions

18.3.1 Unless otherwise specified in these tests, the substance should be tested as offered for transport, at the maximum temperature which may occur during transport (see 1.5.4 of this Manual).

18.4 Series 8 Type (a) test prescription

18.4.1 Test 8 (a): Thermal stability test for ammonium nitrate emulsions, suspension or gels

18.4.1.1 Introduction

18.4.1.1.1 This test is used to determine whether a candidate for "ammonium nitrate emulsion, suspension or gel, intermediate for blasting explosives" is thermally stable at temperatures encountered during transport. In the way this type of test is normally carried out (see 28.4.4), the 500 ml insulated test vessel is only representative for packagings, IBCs and small tanks. For the transport of ammonium nitrate emulsions, suspensions or gels the test is used to measure their thermal stability during tank transport if the test is carried out on candidate products which are at a temperature 20 °C higher than the maximum temperature which may occur during transport, or if higher, at the temperature at the time of loading.

18.4.1.2 Apparatus and materials

18.4.1.2.1 The experimental equipment consists of a suitable thermostatically controlled test chamber (which may be fan assisted), appropriate insulated test vessels with closures, temperature probes and recording equipment.

18.4.1.2.2 *The test should be performed following a risk assessment, taking account of the potential for fire and/or explosion in the test chamber, and the application of appropriate control measures for the protection of persons and property. A number of tests may be run concurrently.* The recording system should be housed in a separate observation area.

18.4.1.2.3 The test chamber must be large enough to allow air circulation on all sides of the insulated test vessels. The air temperature in the test chamber should be controlled so that the desired temperature for a liquid inert sample in the insulated test vessel can be maintained with a deviation of not more than ± 2 °C for up to 10 days. The air temperature in the test chamber should be measured and recorded.

18.4.1.2.4 Insulated test vessels with a volume of approximately 500 ml with a closure system are used. The closure of the test vessel should be inert.

18.4.1.2.5 The heat loss characteristics of the system used, i.e. insulated test vessel and closure, must be established prior to performance of the test. Since the closure system has a significant effect on the heat loss characteristics, these can be adjusted to some extent by varying the closure system. The heat loss characteristics are determined by measuring the half time of cooling of the vessel filled with a known inert liquid substance e.g. distilled water. The heat loss per unit of mass, L (W/kg.K) is calculated from the half time of cooling, $t_{1/2}$ (s), and the specific heat, C_p (J/kg.K), of the substance using the formula:

$$L = \ln 2 \times \left(\frac{C_p}{t_{1/2}} \right)$$

18.4.1.2.6 Insulated test vessels filled with 400 ml of inert substance, with a heat loss of 100 mW/kg.K or less are suitable.

18.4.1.3 *Procedure*

18.4.1.3.1 Set the test chamber at a temperature which is 20 °C higher than the maximum temperature which may occur during transport or, if higher, at the temperature at the time of loading. Fill the test vessel with the substance under test to about 80% of the capacity of the test vessel, or approximately 400 ml. Insert the temperature probe into the centre of the sample. Seal the lid of the test vessel and place it in the test chamber, connect the temperature recording system and close the test chamber.

18.4.1.3.2 The temperature of the sample and of the test chamber are continuously monitored. The time is noted at which the sample temperature reaches a temperature 2 °C below the test chamber temperature. The test is then continued for a further seven days or until the sample temperature rises to 6 °C or more above the test chamber temperature if this occurs sooner.

18.4.1.3.3 At the end of the test, allow the sample to cool, remove it from the test chamber and carefully dispose of it as soon as possible.

18.4.1.4 *Test criteria and method of assessing results*

18.4.1.4.1 If the sample temperature does not exceed the test chamber temperature by 6 °C or more within the seven day period in any test, the ammonium nitrate emulsion, suspension or gel is considered to be thermally stable and can be further tested as a candidate for "ammonium nitrate emulsion, suspension or gel, intermediate for blasting explosives".

18.4.1.5 *Examples of results*

Substances	Sample mass (g)	Test T (°C)	Result	Comments
Ammonium nitrate	408	102	-	slight discolouration, hardened into lump Mass loss 0.5%
ANE-1 Ammonium nitrate 76%, Water 17%, Fuel/emulsifier 7%	551	102	-	separation of oil and crystallized salts. Mass loss 0.8%
ANE-2 (sensitized) Ammonium nitrate 75%, Water 17%, Fuel/emulsifier 7%	501	102	-	Some discolouration Mass loss 0.8%
ANE-Y Ammonium nitrate 77%, Water 17%, Fuel/emulsifier 7%	500	85	-	Mass loss 0.1%
ANE-Z Ammonium nitrate 75%, Water 20%, Fuel/emulsifier 5%	510	95	-	Mass loss 0.2%
ANE-G1 Ammonium nitrate 74%, Sodium nitrate 1%, Water 16%, Fuel/emulsifier 9%	553	85	-	no rise in temperature
ANE-G2 Ammonium nitrate 74%, Sodium nitrate 3%, Water 16%, Fuel/emulsifier 7%	540	85	-	no rise in temperature
ANE-J1 Ammonium nitrate 80%, Water 13%, Fuel/emulsifier 7%	613	80	-	Mass loss 0.1%
ANE-J2 Ammonium nitrate 76%, Water 17%, Fuel/emulsifier 7%	605	80	-	Mass loss 0.3%
ANE-J4 Ammonium nitrate 71%, Sodium nitrate 11%, Water 12%, Fuel/emulsifier 6%	602	80	-	Mass loss 0.1%

18.5 Series 8 Type (b) Test prescription

18.5.1 Test 8 (b): ANE Gap Test

18.5.1.1 Introduction

This test is used to measure the sensitivity of a candidate for "ammonium nitrate emulsion or suspension or gel, intermediate for blasting explosives" to a specified shock level, i.e. a specified booster charge and gap.

18.5.1.2 Apparatus and materials

18.5.1.2.1 The set-up for this test consists of an explosive charge (booster charge), a barrier (gap), a container holding the sample substance (acceptor charge), and a steel witness plate (target).

The following materials are to be used:

- (a) Detonators of sufficient strength to effectively initiate the booster charge;
- (b) Booster charges consisting of 95 mm diameter by 95 mm long pellet with a density of $1\ 600\ \text{kg/m}^3 \pm 50\ \text{kg/m}^3$ of either Pentolite (PETN/TNT with a minimum 50% PETN), Composition B (RDX/TNT with a minimum 50% RDX) or RDX/WAX (with a minimum 95% RDX);
- (c) Tubing, steel, with an outer diameter of 95.0 ± 7.0 mm, a wall thickness of 9.75 ± 2.75 mm and an inner diameter of 73.0 ± 7.0 mm, and with a length of 280 mm;
- (d) Sample substances (acceptor charges);
- (e) Polymethyl methacrylate (PMMA) rod, of 95 mm diameter by 70 mm long;
- (f) Mild steel plate, approximately 200 mm × 200 mm × 20 mm;
- (g) Wood block, 95 mm diameter and approximately 25 mm thick, with a hole drilled through the centre to hold the detonator in place against the booster charge;
- (h) Wood blocks or similar to stand the assembly at least 100 mm off the ground.

18.5.1.3 Procedure

18.5.1.3.1 As shown in Figure 18.5.1.1, the detonator, booster charge, PMMA gap and acceptor charge are coaxially aligned above the centre of the witness plate. The bottom end of the tube is sealed with a single layer of cloth adhesive tape, or equivalent, to contain the sample substance which is carefully loaded so as to avoid the formation of voids within the sample or between the sample and the tube walls. The surface of the sample should be level with the rim of the tube. Care should be taken to ensure good contact between the detonator, the booster charge, the PMMA cylinder and the acceptor charge. The sample substance should be at ambient temperature. The wood block holding the detonator, the booster charge, the PMMA cylinder and the steel tube should be held firmly in alignment (e.g. by using a band of adhesive tape at each intersection).

18.5.1.3.2 The whole assembly, including the witness plate, is raised above the ground, with at least a 100 mm air gap between the ground and the bottom surface of the witness plate which is supported along two edges only with wooden blocks, or similar, as shown in Figure 18.5.1.1. The location of the blocks must ensure there is a clear space under where the tube is standing on the witness plate. To assist in collecting the remains of the witness plate, the whole assembly should be vertical (e.g. checked with a spirit level).

18.5.1.3.3 The test is performed three times unless a positive result is observed earlier.

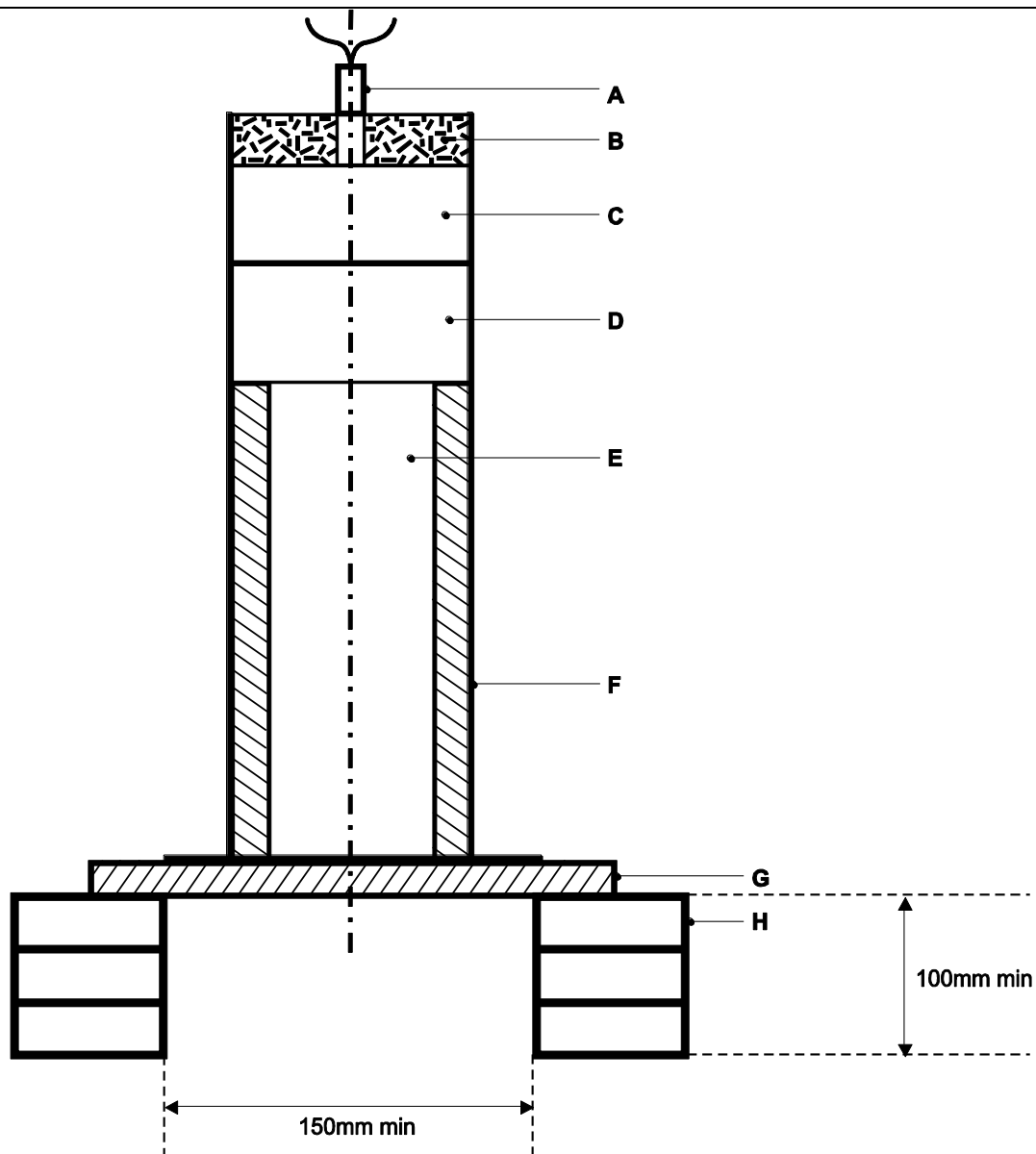
18.5.1.4 *Test criteria and method of assessing results*

A clean hole punched through the plate indicates that a detonation was initiated and propagated in the sample. A substance which detonates and punches a hole in the witness plate in any trial is not to be classified as "ammonium nitrate emulsion or suspension or gel, intermediate for blasting explosives" and the result is noted as "+".

18.5.1.5 *Examples of results*

Substances	Density g/cm ³	Gap mm	Result	Comments
Ammonium nitrate (low density)	0.85	35	-	Tube fragmented (large fragments) Plate bent VOD 2.3-2.8 km/s
Ammonium nitrate (low density)	0.85	35	-	Tube fragmented (large fragments) Plate fractured
ANE-FA Ammonium nitrate 69%, Sodium nitrate 12%, Water 10%, Fuel/emulsifier 8%	1.4	50	-	Tube fragmented (large fragments) Plate not perforated
ANE-FA	1.44	70	-	Tube fragmented (large fragments) Plate not perforated
ANE-FB Ammonium nitrate 70%, Sodium nitrate 11%, Water 12%, Fuel/emulsifier 7%	ca 1.40	70	-	Tube fragmented (large fragments) Plate not perforated
ANE-FC (sensitized) Ammonium nitrate 75%, Water 13%, Fuel/emulsifier 10%	1.17	70	+	Tube fragmented (fine fragments) Plate perforated
ANE-FD (sensitized) Ammonium nitrate 76%, Water 17%, Fuel/emulsifier 7%	ca 1.22	70	+	Tube fragmented (fine fragments) Plate perforated
ANE-1 Ammonium nitrate 76%, Water 17%, Fuel/emulsifier 7%	1.4	35	-	Tube fragmented into large pieces. Plate dented VOD: 3.1 km/s
ANE-2 (sensitized) Ammonium nitrate 76%, Water 17%, Fuel/emulsifier 7%	1.3	35	+	Tube fragmented into small pieces Plate perforated VOD: 6.7 km/s
ANE-2 (sensitized) Ammonium nitrate 76%, Water 17%, Fuel/emulsifier 7%	1.3	70	+	Tube fragmented into small pieces Plate perforated VOD: 6.2 km/s
ANE-G1 Ammonium nitrate 74%, Sodium nitrate 1%, Water 16%, Fuel/emulsifier 9%	1.29	70	-	Tube fragmented Plate indented VOD 1 968 m/s
ANE-G2 Ammonium nitrate 74%, Sodium nitrate 3%, Water 16%, Fuel/emulsifier 7%	1.32	70	-	Tube fragmented Plate indented
ANE-G3 (sensitized by gassing) Ammonium nitrate 74%, Sodium nitrate 1%, Water 16%, Fuel/emulsifier 9%	1.17	70	+	Tube fragmented Plate punctured
ANE-G4 (sensitized by microballoons) Ammonium nitrate 74%, Sodium nitrate 3%, Water 16%, Fuel/emulsifier 7%	1.23	70	+	Tube fragmented Plate punctured
ANE-G5 Ammonium nitrate 70%,	1.41	70	-	Tube fragmented

Substances	Density g/cm ³	Gap mm	Result	Comments
Calcium nitrate 8%, Water 16%, Fuel/emulsifier 7%				Plate indented VOD 2 061 m/s
ANE-J1 Ammonium nitrate 80%, Water 13%, Fuel/emulsifier 7%	1.39	70	-	Tube fragmented Plate indented
ANE-J2 Ammonium nitrate 76%, Water 17%, Fuel/emulsifier 7%	1.42	70	-	Tube fragmented Plate indented
ANE-J4 Ammonium nitrate 71%, Sodium nitrate 11%, Water 12%, Fuel/emulsifier 6%	1.40	70	-	Tube fragmented Plate indented
ANE-J5 (sensitized by microballoons) Ammonium nitrate 71%, Sodium nitrate 5%, Water 18%, Fuel/emulsifier 6%	1.20	70	+	Tube fragmented Plate perforated VOD 5.7 km/s
ANE-J6 (sensitized by microballoons) Ammonium nitrate 80%, Water 13%, Fuel/emulsifier 7%	1.26	70	+	Tube fragmented Plate perforated VOD 6.3 km/s



- | | | |
|-------------------|-----------------------------|--------------------|
| (A) Detonator | (B) Wooden detonator holder | (C) Booster charge |
| (D) PMMA gap | (E) Substance under test | (F) Steel Tube |
| (G) Witness plate | (H) Wooden blocks | |

Figure 18.5.1.1: ANE GAP TEST

18.6 Series 8 Type (c) Test prescription

18.6.1 Test 8 (c): Koenen test

18.6.1.1 Introduction

This test is used to determine the sensitiveness of a candidate ammonium nitrate emulsion or suspension or gel, intermediate for blasting explosive, to the effect of intense heat under high confinement.

18.6.1.2 Apparatus and materials

18.6.1.2.1 The apparatus consists of a non-reusable steel tube, with its re-usable closing device, installed in a heating and protective device. The tube is deep drawn from sheet steel conforming to specification DC04 (EN 10027-1), or equivalent A620 (AISI/SAE/ASTM), or equivalent SPCEEN (JIS G 3141). The dimensions are given in Figure 18.6.1.1. The open end of the tube is flanged. The closing plate with an orifice, through which the gases from the decomposition of the test substance escape, is made from heat-resisting chrome steel and is available with numerous sized orifices. For this test the following diameter holes are used:

- 1.5 mm for the closing plate used in the heating calibration procedure; and
- 2.0 mm for the closing plate used in the test.

The dimensions of the threaded collar and the nut (closing device) are given in Figure 18.6.1.1.

For quality control of the steel tubes, 1% of the tubes from each production lot shall be subjected to quality control and the following data shall be verified:

- (a) The mass of the tubes shall be 26.5 ± 1.5 g;
- (b) The length of the tubes shall be 75 ± 0.5 mm;
- (c) The wall thickness of the tubes measured 20 mm from the bottom of the tube shall be 0.5 ± 0.05 mm; and
- (d) The bursting pressure as determined by quasi-static load through an incompressible fluid shall be 30 ± 3 MPa.

18.6.1.2.2 Heating is provided by a gaseous fuel (e.g. propane), from an industrial cylinder fitted with a pressure regulator, via a flow meter and distributed by a manifold to the four burners. The gas pressure is regulated to give a heating rate of 3.3 ± 0.3 K/s when measured by the calibration procedure. Calibration involves heating a tube (fitted with a 1.5 mm orifice plate) filled with 27 cm³ of dibutyl phthalate or equivalent. The time taken for the temperature of the liquid (measured with a 1 mm diameter thermocouple centrally placed 43 mm below the rim of the tube and inserted through the orifice plate) to rise from 135 °C to 285 °C is recorded and the heating rate calculated.

18.6.1.2.3 Because the tube is likely to be destroyed in the test, heating is undertaken in a protective welded box. A suitable arrangement of the construction and dimensions of the box is given in Figure 18.6.1.2. The tube is suspended between two rods placed through holes drilled in opposite walls of the box. A suitable arrangement of the burners is given in Figure 18.6.1.2. The burners are lit simultaneously by a pilot flame or an electrical ignition device. **The test apparatus is placed in a protective area.** Measures should be taken to ensure that any draughts does not affect the burner flames. Provision should be made for extracting any gases or smoke resulting from the test.

18.6.1.2.4 A video camera should be provided to record the test and to ensure all burners are functional during the test. The camera may also provide evidence of blockages of the orifice by solids within the sample.

18.6.1.3 Procedure

18.6.1.3.1 The substance is loaded into the tube to a height of 60 mm taking particular care to prevent the formation of voids. The threaded collar is slipped onto the tube from below, the 2 mm orifice plate is inserted and the nut tightened by hand after applying some high temperature anti-seize compound (e.g. molybdenum disulphide based lubricant). It is essential to check that none of the substance is trapped between the flange and the plate, or in the threads.

18.6.1.3.2 Each tube is used for one trial only. The orifice plates, threaded collars and nuts may be used again provided they are undamaged.

18.6.1.3.3 The tube is placed in a rigidly mounted vice and the nut tightened with a spanner. The tube is then suspended between the two rods in the protective box. The test area is vacated, the gas supply turned on and the burners lit. The time to reaction and duration of reaction can provide additional information useful in interpreting the results. If rupture of the tube does not occur, heating is to be continued for at least five minutes before the trial is finished. After each trial the fragments of the tube, if any, should be collected and weighed to ensure all pieces have been recovered.

18.6.1.3.4 The following effects are differentiated:

"O": Tube unchanged;

"A": Bottom of tube bulged out;

"B": Bottom and wall of the tube bulged out;

"C": Bottom of tube split;

"D": Wall of tube split;

"E": Tube split into two¹ fragments;

"F": Tube fragmented into three¹ or more mainly large pieces which in some cases may be connected with each other by a narrow strip;

"G": Tube fragmented into many mainly small pieces, closing device undamaged; and

"H": Tube fragmented into many very small pieces, closing device bulged out or fragmented.

Examples for the effect types "D", "E" and "F" are shown in Figure 18.6.1.3. If a trial results in any of the effects "O" to "E", the result is regarded as "no explosion (negative (-))". If a trial gives the effect "F", "G" or "H", the result is evaluated as "explosion (positive (+))".

18.6.1.3.5 The test is performed to achieve negative (-) results in three tests.

Given the nature of ammonium nitrate emulsions, suspensions or gels and the possibility of varying percentages of solids present, blockages of the orifices may occur during testing potentially leading to a false "+" result. Where this is observed the test may be repeated (maximum twice).

18.6.1.4 *Test criteria and method of assessing results*

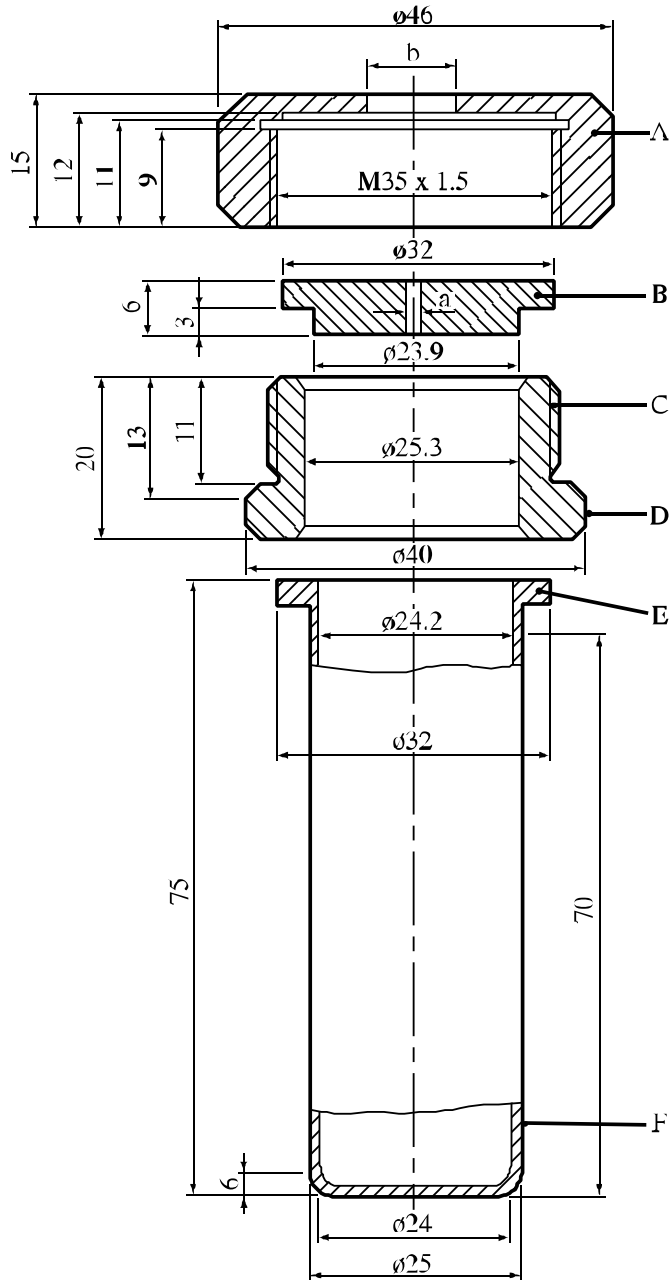
The result is considered "+" and the substance should not be classified in Division 5.1 if three negative (-) results cannot be achieved within a maximum of five tests.

18.6.1.5 *Examples of results*

Substances	Result	Comments
Ammonium nitrate (low density)	-	Limiting diameter: <1 mm
ANE-F1 Ammonium nitrate 71%, Water 21%, Fuel/emulsifier 7%	-	
ANE-F2 Ammonium nitrate 77%, Water 17%, Fuel/emulsifier 7%	-	
ANE-F3 Ammonium nitrate 70%, Sodium nitrate 11%, Water 12%, Fuel/emulsifier 7%	-	

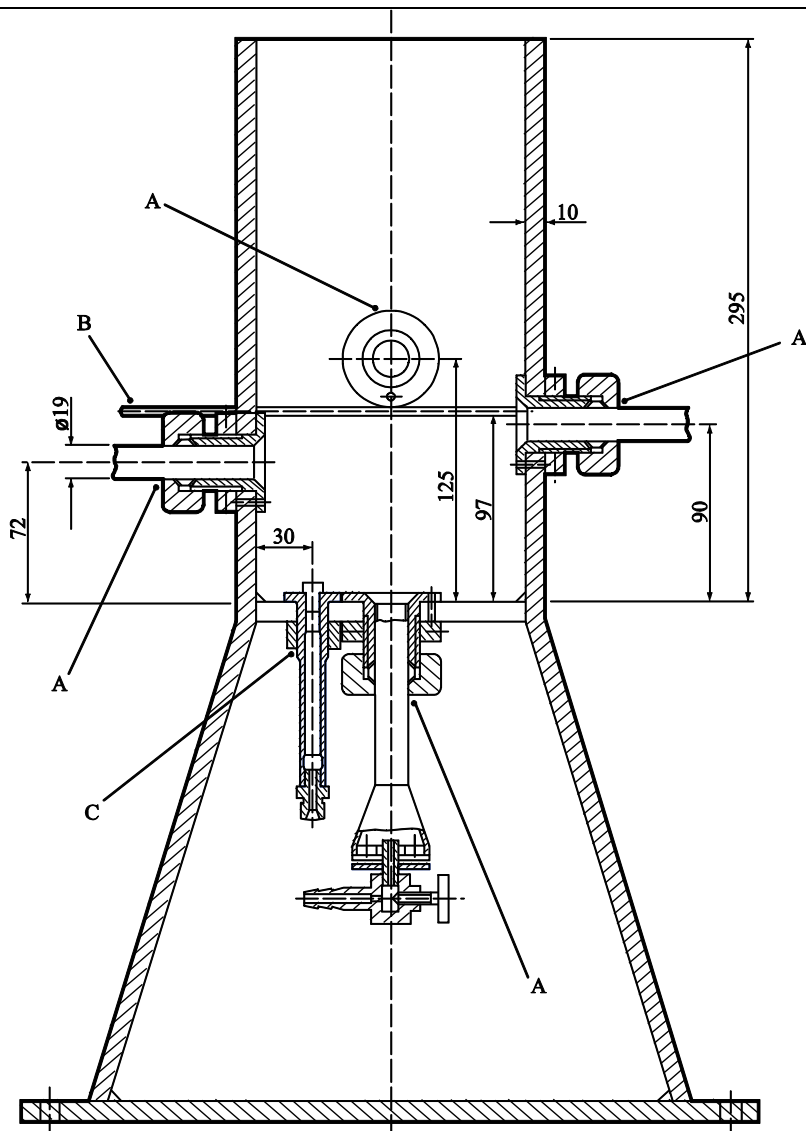
¹The upper part of the tube remaining in the closing device is counted as one fragment.

Substances	Result	Comments
ANE-F4 Ammonium nitrate 42%, Calcium nitrate 35%, Water 16%, Fuel/emulsifier 7%	-	
ANE-F5 Ammonium nitrate 69%, Sodium nitrate 13%, Water 10%, Fuel/emulsifier 8%	-	
ANE-F6 Ammonium nitrate 72%, Sodium nitrate 11%, Water 10%, Fuel/emulsifier 6%	-	
ANE-F7 Ammonium nitrate 76%, Water 13%, Fuel/emulsifier 10%	-	
ANE-F8 Ammonium nitrate 77%, Water 16%, Fuel/emulsifier 6%	-	
ANE-1 Ammonium nitrate 76%, Water 17%, Fuel/emulsifier 7%	-	Limiting diameter: 1.5 mm
ANE-2 (sensitized by microballoons) Ammonium nitrate 75%, Water 17%, Fuel/emulsifier 7%	+	Limiting diameter: 2 mm
ANE-4 (sensitized by microballoons) Ammonium nitrate 70%, Sodium nitrate 11%, Water 9%, Fuel/emulsifier 5.5%	+	Limiting diameter: 2 mm
ANE-G1 Ammonium nitrate 74%, Sodium nitrate 1%, Water 16%, Fuel/emulsifier 9%	-	
ANE-G2 Ammonium nitrate 74%, Sodium nitrate 3%, Water 16%, Fuel/emulsifier 7%	-	
ANE-J1 Ammonium nitrate 80%, Water 13%, Fuel/emulsifier 7%	-	Effect type "O"
ANE-J2 Ammonium nitrate 76%, Water 17%, Fuel/emulsifier 7%	-	Effect type "O"
ANE-J4 Ammonium nitrate 71%, Sodium nitrate 11%, Water 12%, Fuel/emulsifier 6%	-	Effect type "A"



- | | |
|--|--|
| (A) Nut (b = 10 mm) with flats for size 41 spanner | (B) Orifice plate
(a = 1.5 or 2.0 mm) |
| (C) Threaded collar | (D) Flats for size 36 spanner |
| (E) Flange | (F) Tube |

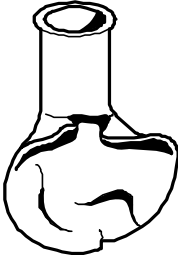
Figure 18.6.1.1: TEST TUBE ASSEMBLY



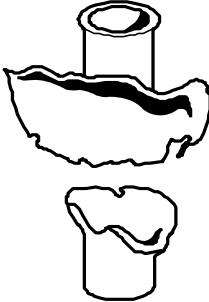
- (A) Burner
(B) Metal rods to support test tube assembly
(C) Pilot flame

Figure 18.6.1.2: HEATING DEVICE

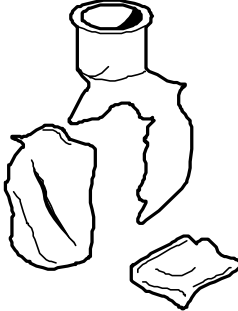
D



E



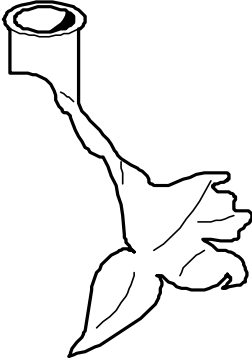
F



F



F



F

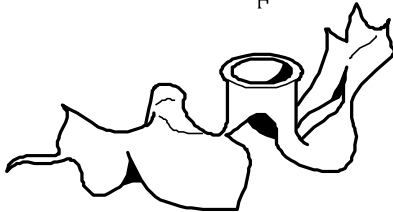


Figure 18.6.1.3: EXAMPLES OF EFFECT TYPES D, E AND F

Examples of Koenen test results

“O”: Tube unchanged



“A”: Bottom of the tube bulged out



“B”: Bottom and wall of the tube bulged out



“C”: *Reserved*

“D”: Wall of tube split



“E”: Tube split into two fragments



“F”: Tube fragmented into three or more mainly large pieces which in some cases may be connected with each other by a narrow strip;



“G”: Tube fragmented into many mainly smaller pieces, closing device undamaged



18.7 Series 8 Type (d) Test prescriptions

18.7.1 Test 8 (d) (i): Vented pipe test

18.7.1.1 Introduction

This test is not intended for classification but is included in this Manual for evaluating the suitability for [containment in tanks as an oxidizing substance, transport in tanks](#).

The vented pipe test is used to assess the effect of exposure of a candidate for "ammonium nitrate emulsion or suspension or gel, intermediate for blasting explosives" to a large fire under confined, vented conditions.

18.7.1.2 Apparatus and materials

The following items are needed:

- (a) A steel pipe 310 ± 10 mm diameter and 610 ± 10 mm long, welded close at the bottom with a 380 mm square, 10 ± 0.5 mm thick mild steel plate. The top of the pipe is welded to a 380 mm square, 10 ± 0.5 mm thick mild steel plate that contains a 78 mm diameter vent hole centrally located in the plate to which a 152 mm long steel pipe nipple of 78 mm internal diameter is welded (see Figure 18.7.1.1). All welding should be to a relevant ISO standard or equivalent. All steel components are to be Schedule 40 carbon steel (A53 Grade B) or equivalent;
- (b) A metal grid to support the filled pipe above the fire and allow adequate heating. If a wooden crib fire is used, the grid should be approximately 1.0 m above the ground and if a liquid hydrocarbon pool fire is used then the grid should be approximately 0.5 m above the fuel surface at the onset of the test;
- (c) Enough fuel to produce a fire reaching 800 °C (measured at the external base of the pipe) and to keep burning for at least 30 minutes or, if necessary, until the substance has clearly had enough time to react to the fire, evidenced by ejection of material, smoke, fumes, flames, etc., from the top of the pipe. Temporary variation of temperature below 800 °C is normal and should not render the test invalid;
- (d) Suitable means of ignition to ignite the fuel from two sides e.g. for a wood fire, kerosene to soak the wood and igniters;
- (e) Video cameras to record events in colour;
- (f) Means of measuring and recording temperature, up to and above 800 °C, with a thermocouple located at the external base of the pipe;
- (g) A means of measuring wind speed, such as an anemometer.

18.7.1.3 Procedure

18.7.1.3.1 The pipe is filled with the substance under test without tamping during loading. The substance is carefully packed to prevent adding voids. The steel pipe is placed vertically on the grid and secured from tipping over. Fuel is placed beneath the grid, extending in every direction beyond the pipe so that the fire will fully engulf the pipe. Precautions against side winds may be required to avoid dissipation of the heat. Suitable methods of heating include a wood fire, a liquid or gas fuel fire that produces a flame temperature of at least 800 °C.

18.7.1.3.2 The test should not be performed under conditions where the wind speed consistently exceeds 6 m/s.

18.7.1.3.3 Observations are made on the following:

- (a) Wind speed at commencement of the test as per Section 18.7.1.3.2;
- (b) Fire duration of at least 30 minutes or until the substance has clearly had enough time to react to the fire, with 800 °C reached at the external base of the pipe;

-
- (c) Temperature at the external base of pipe;
 - (d) Substance reacting to the fire as described in 18.7.1.2(c);
 - (e) Evidence of explosion (e.g. fragmentation of the pipe into two or more pieces);
 - (f) Projection of fragments of the pipe section from the fire area;
 - (g) Evidence of a rupture (e.g. a split of the pipe or separation of the pipe from the base plate at the weld).

18.7.1.4 *Test criteria and method of assessing results*

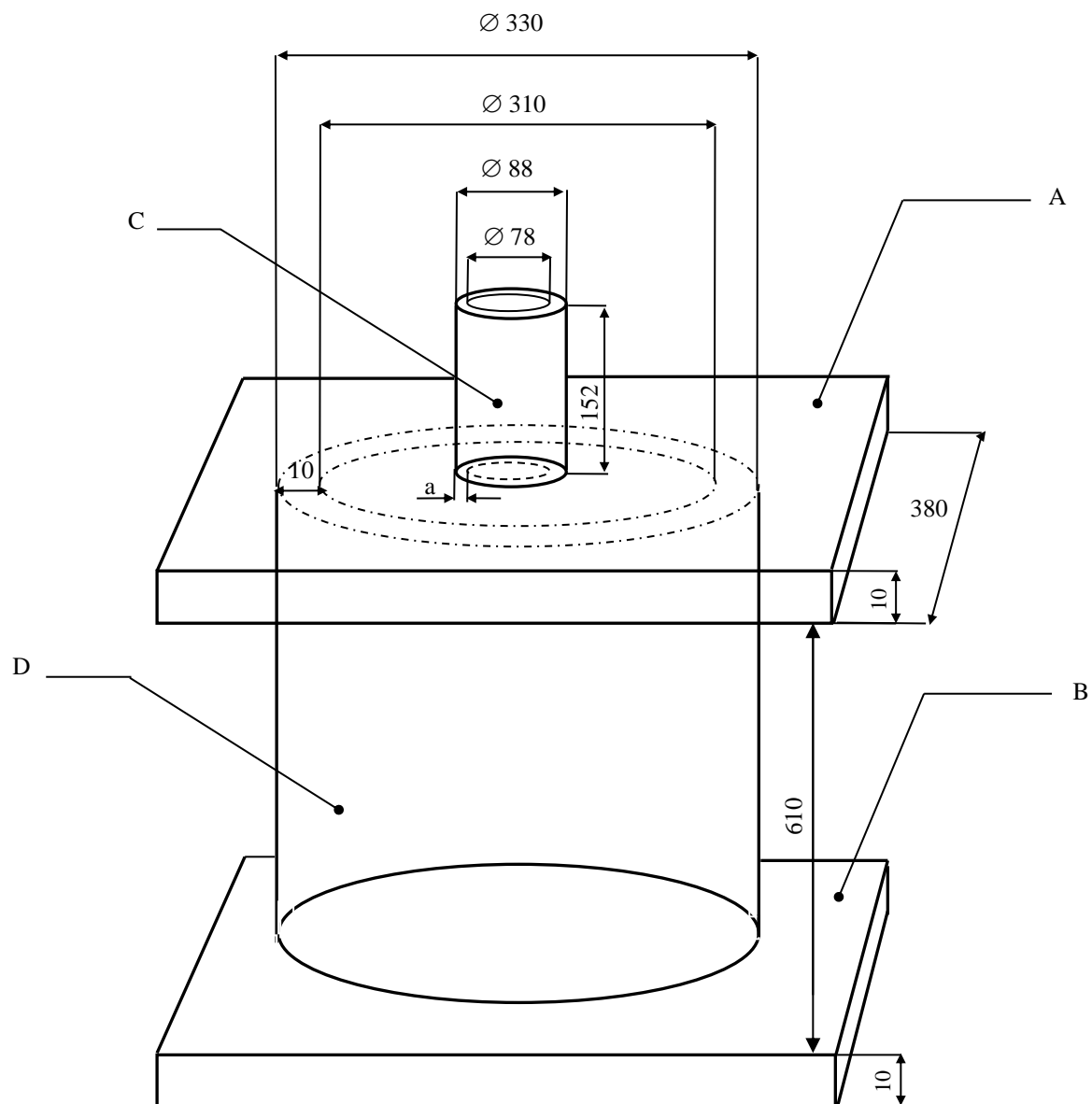
A test is considered valid if observation criteria outlined in Section 18.7.1.3.3 (a) to (d) have been met.

The test result is considered “+” and the substance should not be ~~contained + transported~~ in portable tanks as ~~a dangerous good of Division 5.1~~ an oxidizing substance if an explosion and/or fragmentation of the pipe, as specified in Section 18.7.1.3.3 (e) and (f) is observed.

The test result is considered “-” if no explosion and/or fragmentation of the pipe is observed. Splitting of the pipe or its separation from the end plates, as specified in Section 18.7.1.3.3 (g) is evidence of a “-” result.

18.7.1.5 *Examples of results*

(Reserved)



All measurements are in millimetres.

- (A) Top plate (Schedule 40 carbon (A53 grade B))
- (B) Bottom plate (Schedule 40 carbon (A53 grade B))
- (C) Steel pipe nipple ($a = 0.5$ cm), Schedule 40 carbon (A53 grade B)
- (D) Steel pipe (Schedule 40 carbon (A53 grade B))

Figure 18.7.1.1: VENTED PIPE TEST

18.7.2 *Test 8 (d) (ii): Modified vented pipe test*18.7.2.1 *Introduction*

This test is not intended for classification but is included in this Manual for evaluating the suitability of a candidate for “ammonium nitrate emulsion or suspension or gel, intermediate for blasting explosives”, to be ~~transported-contained~~ in portable tanks as ~~a dangerous substance of Division 5.1~~ an oxidizing substance.

The modified vented pipe test is used to assess the effect of exposure of a candidate for “ammonium nitrate emulsion or suspension or gel, intermediate for blasting explosives” to a large fire under confined, vented conditions.

18.7.2.2 *Apparatus and materials*

The following items are needed:

- (a) A vented vessel consisting of mild drawn steel pipe with an inner diameter of 265 ± 10 mm, a length of 580 ± 10 mm and a wall thickness of 5.0 ± 0.5 mm. Both the top and the base plates are made from 300 mm square, 6.0 ± 0.5 mm thick mild steel plates. The top and base plates are fixed to the pipe with a fillet weld with a thickness of at least 5 mm. All welding should be to a relevant ISO standard or equivalent. The top plate has a vent diameter of $85 \text{ mm} \pm 1.0$ mm. A further two small holes are drilled in the top plate to neatly accommodate thermocouple probes;
- (b) A concrete block, or similar solid base, about 400 mm square and 50 to 75 mm thick;
- (c) A metal stand for supporting the vessel at a height of approximately 150 mm above the concrete block or similar solid base;
- (d) A gas burner capable of accommodating a fuel gas (e.g. propane) flow rate of up to 60 g/min. This rests on the concrete block, or similar solid base, under the stand. A typical example of a suitable burner is a 32-jet Mongolian wok burner;
- (e) Enough fuel to produce a fire reaching 800 °C (measured at the external base of the pipe) and to keep burning for at least 60 minutes or, if necessary, until the substance has clearly had enough time to react to the fire, evidenced by ejection of material, smoke, fumes, flames, etc., from the top of the pipe. Temporary variation of temperature below 800 °C is normal and should not render the test invalid;
- (f) A sheet metal shield to protect the fuel gas flame from side winds. This can be fabricated from approximately 0.5 mm thick galvanised sheet metal. The diameter of the wind shield is about 600 mm and the height should be about 250 mm. Four adjustable vents approximately 150 mm wide and 100 mm high are spaced equally around the shield to ensure adequate air reaches the gas flame;
- (g) Fuel gas bottle(s) connected via a manifold and fed into a pressure regulator. The pressure regulator should reduce the fuel gas bottle pressure from 600 kPa down to about 150 kPa. The gas then flows through a gas rotameter capable of measuring up to 60 g/min of fuel gas and a needle valve. An electrical solenoid valve is used to switch the fuel gas flow on and off remotely. Typically three 9 kg fuel gas bottles will achieve the desired gas flow rate for the duration of up to five tests. The gas pressure and flow are regulated to give a heating rate of 3.3 ± 0.3 K/min when measured by the calibration procedure;
- (h) Three thermocouples with approximately 500 (2) and 100 (1) mm long stainless steel probes and fibre-glass coated lead wires;
- (i) A data-logger capable of recording the output from the thermocouples;
- (j) Cine-cameras or video cameras, preferably high speed and normal speed, to record events in colour;
- (k) Pure water for calibration;

- (l) The candidate ammonium nitrate emulsion or suspension or gel, intermediate for blasting explosives to be tested;
- (m) A means of measuring wind speed at the commencement of the test, such as an anemometer;
- (n) Blast gauges, radiometers and other recording equipment may also be used.

18.7.2.3 Calibration

18.7.2.3.1 The vessel is filled to the 75% level (i.e. to a depth of about 435 mm) with the pure water, and heated using the procedure specified in 18.7.2.4. Water is heated from ambient temperature up to 90 °C, monitoring temperature by the thermocouple in the water. Temperature-time data must fit a straight line whose slope will be the “calibration heating rate” for the given combination of vessel and heat source.

18.7.2.3.2 The gas pressure and flow must be regulated to give a heating rate of 3.3 ± 0.3 K/min.

18.7.2.3.3 This calibration must be performed prior to the testing of any test substance, though the same calibration can be applied to any test conducted within a day of the calibration provided no change is made to the vessel construction or gas supply. New calibration has to be made every time that the burner is changed.

18.7.2.4 Procedure

18.7.2.4.1 The concrete block, or similar solid base, is placed on a sandy base and levelled using a spirit level. The fuel gas burner is positioned in the centre of the solid base and connected to the gas supply line. The metal stand is placed over the burner.

18.7.2.4.2 The vessel is placed vertically on the stand and secured from tipping over. The vessel is filled to 75% of its volume (to a height of approximately 435 mm) with the substance under test without tamping during loading. The initial temperature of the substance must be recorded. The substance is carefully packed to prevent adding voids. The wind shield is positioned around the base of the assembly to protect the gas flame from heat dissipation due to side winds.

18.7.2.4.3 The thermocouple positions are as follows:

- (a) The first 500 mm long probe (T1) in the gas flame;
- (b) The second 500 mm long probe (T2) extending all the way into the vessel so that the tip is positioned 80 to 90 mm from the bottom of the vessel;
- (c) The third 100 mm long probe (T3) in the headspace about 20 mm into the vessel.

The thermocouples are connected to the data-logger and the thermocouple leads and data-logger are adequately protected from the test apparatus in case of explosion.

18.7.2.4.4 Fuel gas pressure and flow is checked and adjusted to the values used during the water calibration described in 18.7.2.3. Video cameras and any other recording equipment are checked and started. Thermocouple functioning is checked and data logging is started, with a time set between thermocouple readings not exceeding 10 seconds, and preferably shorter. ***The test should not be performed under conditions where the wind speed exceeds 6 m/s, unless additional precautions against side winds are taken to avoid dissipation of the heat.***

18.7.2.4.5 The fuel gas burner may be started locally or remotely and all workers immediately retreat to a safe location. Progress of the test is followed by monitoring thermocouple readings and closed circuit television images. The start time of the trial is defined by the time at which the flame thermocouple trace T1 first begins to rise.

18.7.2.4.6 The gas reservoir should be large enough to bring the substance to a possible reaction and provide a fire duration lasting beyond total consumption of the test sample. If the vessel does not rupture, the system should be allowed to cool down before carefully dismantling the test set-up.

18.7.2.4.7 Observations are made on the following:

- (a) Wind speed at commencement of the test as per Section 18.7.2.4.4;
- (b) Fire duration of at least 60 minutes or until the substance has clearly had enough time to react to the fire, with 800 °C reached at the external base of the pipe;
- (c) Temperature at the external base of pipe;
- (d) Substance reacting to the fire as described in 18.7.2.2(e);
- (e) Evidence of explosion (e.g. fragmentation of the pipe into two or more pieces);
- (f) Projection of fragments of the pipe section from the fire area;
- (g) Evidence of a rupture (e.g. a split of the pipe or separation of the pipe from the base plate at the weld).

18.7.2.4.8 Test criteria and method of assessing results

A test is considered valid if observation criteria outlined in Section 18.7.2.4.7 (a) to (d) have been met.

The test result is considered "+" and the substance should not be ~~transported-contained~~ in portable tanks as ~~a dangerous good of Division 5.1~~ an oxidizing substance if an explosion and/or fragmentation of the pipe, as specified in Section 18.7.2.4.7 (e) and (f) is observed.

The test result is considered "-" if no explosion and/or fragmentation of the pipe is observed. Splitting of the pipe or its separation from the end plates, as specified in Section 18.7.2.4.7 (g) is evidence of a "-" result.

18.7.2.5 *Examples of results*

Substances	Result
76.0 ammonium nitrate / 17.0 water / 5.6 paraffin oil / 1.4 PIBSA emulsifier	-
84.0 ammonium nitrate / 9.0 water / 5.6 paraffin oil / 1.4 PIBSA emulsifier	+
67.7 ammonium nitrate / 12.2 sodium nitrate / 14.1 water / 4.8 paraffin oil / 1.2 PIBSA emulsifier	-
67.4 ammonium nitrate / 15.0 methylamine nitrate / 12.0 water / 5.0 glycol / 0.6 thickener	-
71.4 ammonium nitrate / 14.0 hexamine nitrate / 14.0 water / 0.6 thickener	-