

Proposal for draft amendments to Regulation No. 37 (Filament lamps)

A. PROPOSAL FOR A CORRECTION TO ECE/TRANS/WP.29/GRE/2006/35

Page 3, sheet H15/1, figure 3, for diameter " $\text{Ø } 30.0$ " read " $\text{Ø } 31.5$ ".

B. PROPOSAL FOR CORRECTIONS TO ECE/TRANS/WP.29/GRE/2007/13

Page 3, sheet HS6/1, figure 1, correct to read:

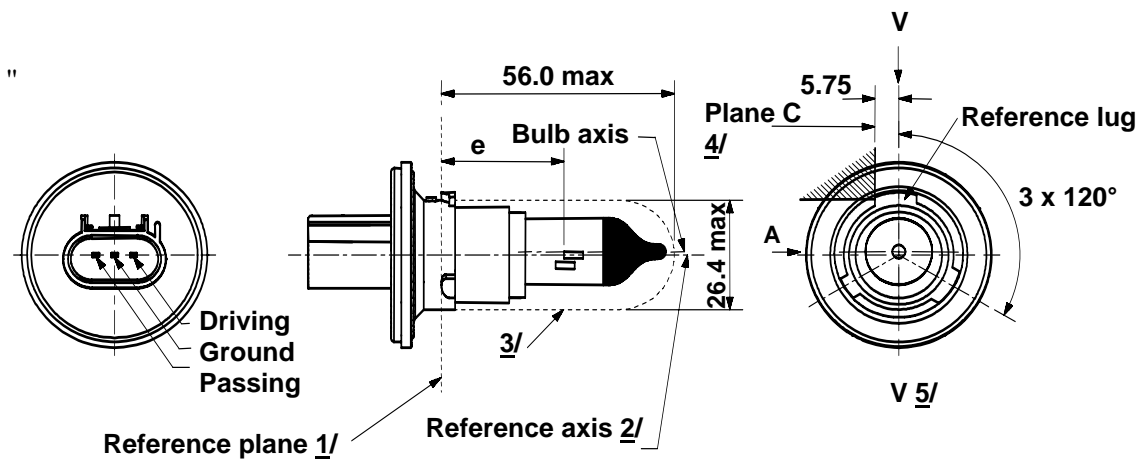


Figure 1 - Main drawings"

C. JUSTIFICATION

IEC added additional keying options for future use of light sources using the same cap type.
