



**Economic and Social  
Council**

Distr.  
GENERAL

TRANS/WP.29/GRSP/2005/9/Corr.1  
16 September 2005

ENGLISH ONLY

---

**ECONOMIC COMMISSION FOR EUROPE**

INLAND TRANSPORT COMMITTEE

World Forum for Harmonization of Vehicle Regulations (WP.29)

Working Party on Passive Safety (GRSP)  
(Thirty-eighth session, 6-9 December 2005,  
agenda item B.1.1.)

PROPOSAL FOR DRAFT AMENDMENTS TO REGULATION No. 11  
(Door latches and door retention components)

Transmitted by the expert from the European Commission (EC)

Corrigendum

Paragraph 2.9., correct to read:

"2.9.     "Door closure warning system" is a system that will activate a visual signal located where it can be clearly seen by the driver when a door latch system is not in its fully latched position and while the vehicle ignition is activated."

Insert the missing paragraph 2.10., to read:

"2.10.     "Door Hinge System" is one or more hinges used to support a door."

Paragraphs 2.15. and 2.16., should be deleted.

Paragraphs 2.17. to 2.19. (former), renumber as paragraphs 2.15. to 2.17. respectively.

---

Note: This document is distributed to the Experts on Passive Safety only.

Paragraph 2.20. (former), renumber as paragraph 2.18. and correct to read:

"2.18. "Hinge" is a **device used** to position the door relative to the body structure and control the path of the door swing for passenger ingress and egress."

Paragraphs 2.21. to 2.25. (former), renumber as paragraphs 2.19. to 2.23. respectively.

Paragraphs 2.26. and 2.27. (former), renumber as paragraphs 2.24. and 2.25., and correct to read:

"2.24. "Side front door" is a door that, in a side view, has 50 per cent or more of its opening area forward of the rearmost point on the driver's seat back, when the seat back is adjusted to its most vertical and rearward position, **providing direct access for passengers to enter or depart the vehicle.**

2.25. "Side rear door" is a door that, in a side view, has 50 per cent or more of its opening area to the rear of the rearmost point on the driver's seat back, when the driver's seat is adjusted to its most vertical and rearward position, **providing direct access for passengers to enter or depart the vehicle.**"

Paragraphs 2.28. and 2.29. (former), renumber as paragraphs 2.26. and 2.27.

Paragraphs 6.1.4.1. and 6.1.4.3., correct the figure "0.3 N" to read "30 g".

Paragraph 6.1.5.4., subparagraph (b)., correct to read:

"... system shall be provided **for** those doors."

Annex 3, replace figure 3-4 by the following figure:

"

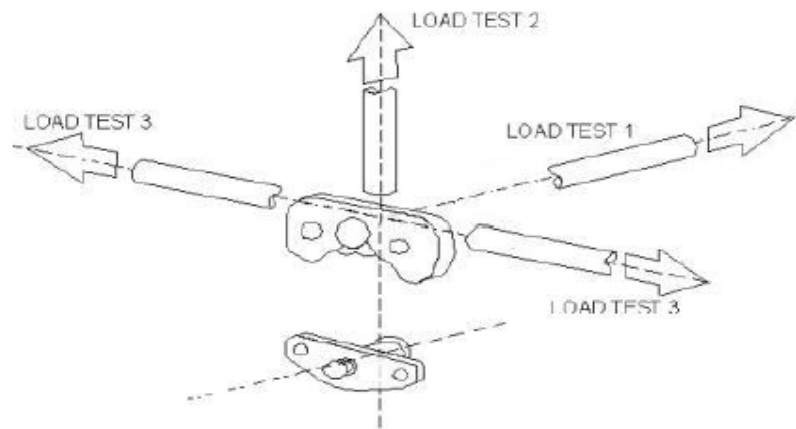


Figure 3-4 - Door Static Load Test Directions."

-----