



**Economic and Social
Council**

Distr.
GENERAL

TRANS/WP.29/2005/82
21 July 2005

Original: ENGLISH

ECONOMIC COMMISSION FOR EUROPE

INLAND TRANSPORT COMMITTEE

World Forum for Harmonization of Vehicle Regulations (WP.29)
(One-hundred-and-thirty-seventh session, 15-18 November 2005,
agenda item 5.3.3.)

**PROPOSAL FOR A NEW DRAFT REGULATION:
UNIFORM PROVISIONS CONCERNING THE APPROVAL OF MOTOR VEHICLES WITH
REGARD TO THE FORWARD FIELD OF VISION OF THE DRIVER**

Transmitted by the Working Party on General Safety Provisions (GRSG)

Note: The text reproduced below was adopted by GRSG at its eighty-eighth session and is transmitted for consideration to WP 29 and AC.1 (TRANS/WP.29/GRSG/67, para. 32). It is based on TRANS/WP.29/GRSG/2005/4 as amended by TRANS/WP.29/GRSG/67, Annex 3.

This document is a working document circulated for discussion and comments. The use of this document for other purposes is the entire responsibility of the user.

Documents are also available via the INTERNET:

<http://www.unece.org/trans/main/welcwp29.htm>

**UNIFORM PROVISIONS CONCERNING THE APPROVAL OF MOTOR
VEHICLES WITH REGARD TO THE FORWARD FIELD OF VISION OF
THE MOTOR VEHICLE DRIVER**

1 SCOPE

- 1.1. This Regulation applies to the 180° forward field of vision of drivers of category M₁ vehicles 1/.
- 1.2. Its purpose is to ensure an adequate field of vision when the windscreen and other glazed surfaces are dry and clean.
- 1.3. The requirements of this Regulation are so worded as to apply to category M₁ vehicles in which the driver is on the left. In category M₁ vehicles in which the driver is on the right these requirements shall be applied by inverting the criteria, when appropriate.

2. DEFINITIONS

For the purposes of this Regulation:

- 2.1. "Approval of a vehicle type" means the full procedure whereby a Contracting Party to the Agreement certifies that a vehicle type meets the technical requirements of this Regulation;
- 2.2. "Vehicle type with regard to the field of vision" means vehicles which differ in such essential aspects as:
 - 2.2.1. the external and internal forms and arrangements within the area specified in section 1 which may effect visibility; and
 - 2.2.2. the shape and dimensions of the windscreen and its mounting;

1/ As defined in Annex 7 to the Consolidated Resolution on the Construction of Vehicles (R.E.3) (document TRANS/WP.29/78/Rev.1/Amend.2).

- 2.3. "Three-dimensional reference grid" means a reference system which consists of a vertical longitudinal plane X-Z, a horizontal plane X-Y and a vertical transverse plane Y-Z (see Annex 4, Appendix, figure 6); the grid is used to determine the dimensional relationships between the position of design points on drawings and their positions on the actual vehicle. The procedure for situating the vehicle relative to the grid is specified in Annex 4; all coordinates referred to ground zero shall be based on a vehicle in running order ^{2/} plus one front-seat passenger, the mass of the passenger being 75 kg \pm 1 per cent.
- 2.3.1. Vehicles fitted with suspension enabling their ground clearance to be adjusted shall be tested under the normal conditions of use specified by the vehicle manufacturer.
- 2.4. "Primary reference marks" means holes, surfaces, marks and identification signs on the vehicle body. The type of reference mark used and the position of each mark relative to the X, Y and Z coordinates of the three-dimensional reference grid and to a design ground plane shall be specified by the vehicle manufacturer. These marks may be the control points used for body-assembly purposes.
- 2.5. "Seat-back angle" means the angle defined in Annex 3, paragraph 2.6. or 2.7.
- 2.6. "Actual seat-back angle" means the angle defined in Annex 3, paragraph 2.6.
- 2.7. "Design seat-back angle" means the angle defined in Annex 3, paragraph 2.7.
- 2.8. "V points" means points whose position in the passenger compartment is determined as a function of vertical longitudinal planes passing through the centres of the outermost designated seating positions on the front seat and in relation to the "R" point and the design angle of the seat-back, which points are used for verifying compliance with the field of vision requirements.
- 2.9. "R point or seating reference point" means the point defined in Annex 3, paragraph 2.4.
- 2.10. "H point" means the point defined in Annex 3, paragraph 2.3.
- 2.11. "Windscreen datum points" means points situated at the intersection with the windscreen of lines radiating forward from the V points to the outer surface of the windscreen.

^{2/} The mass of a vehicle in running order includes the mass of the vehicle and its body with cooling fluid, lubricants, fuel, 100 per cent of other liquids, tools, spare wheel and driver. The mass of the driver is evaluated at 75 kg (distributed as follows: 68 kg for the mass of the occupant and 7 kg for the mass of luggage, in accordance with ISO Standard 2416:1992. The tank contains 90 per cent and the other liquid-containing appliances (other than those intended for waste water) 100 per cent of the capacity declared by the manufacturer.

- 2.12. "Armoured vehicle" means a vehicle intended for the protection of conveyed passengers and/or goods and complying with armour plating anti-bullet requirements.
- 2.13. "Transparent area" means that area of a vehicle windscreen or other glazed surface whose light transmittance measured at right angles to the surface is not less than 70 per cent. In the case of armoured vehicles the light transmittance factor is not less than 60 per cent.
- 2.14. "P points" means the points about which the driver's head rotates when he views objects on a horizontal plane at eye level.
- 2.15. "E points" means points representing the centres of the driver's eyes and used to assess the extent to which A pillars obscure the field of vision.
- 2.16. "A pillar" means any roof support forward of the vertical transverse plane located 68 mm in front of the V points and includes non-transparent items such as windscreen mouldings and door frames, attached or contiguous to such a support.
- 2.17. "Horizontal seat-adjustment range" means the range of normal driving positions designated by the vehicle manufacturer for the adjustment of the driver's seat in the direction of the X axis (see paragraph 2.3. above).
- 2.18. "Extended seat-adjustment range" means the range designated by the vehicle manufacturer for the adjustment of the seat in the direction of the X axis (see paragraph 2.3. above) beyond the range of normal driving positions specified in paragraph 2.16. and used for converting seats into beds or facilitating entry to the vehicle.

3. APPLICATION FOR APPROVAL

- 3.1. The application for approval of a vehicle type with regard to the driver's field of vision shall be submitted by the vehicle manufacturer or by his authorized representative.
- 3.2. It shall be accompanied by the documents mentioned below in triplicate and include the following particulars:
 - 3.2.1. a description of the vehicle type with regard to the items mentioned in paragraph 2.2., together with dimensional drawings and either a photograph or an exploded view of the passenger compartment. The numbers and/or symbols identifying the vehicle type shall be specified; and
 - 3.2.2. particulars of the primary reference marks in sufficient detail to enable them to be readily identified and the position of each in relation to the others and to the "R" point verified.
- 3.3. A vehicle representative of the vehicle type to be approved shall be submitted to the technical service conducting the approval tests.

4. APPROVAL

- 4.1. If the vehicle type submitted for approval pursuant to this Regulation meets the requirements of paragraph 5. below, approval of that vehicle shall be granted.
- 4.2. An approval number shall be assigned to each type approved; its first two digits (00 for the Regulation in its initial form) shall indicate the series of amendments incorporating the most recent major technical amendments made to the Regulation at the time of issue of the approval. The same Contracting Party shall not assign the same number to the same vehicle type equipped with another type of field of vision, or to another vehicle type.
- 4.3. Notice of approval or of refusal or withdrawal of approval pursuant to this Regulation shall be communicated to the Parties to the Agreement which apply this Regulation by means of a form conforming to the model in Annex 1 and photographs and/or plans supplied by the applicant being in a format not exceeding A4 (210 x 297 mm), or folded to that format, and on an appropriate scale.
- 4.4. There shall be affixed, conspicuously and in a readily accessible place specified on the approval form, to every vehicle conforming to a vehicle type approved under this Regulation, an international approval mark conforming to the model described in Annex 2, consisting of:
- 4.4.1 a circle surrounding the letter "E" followed by the distinguishing number of the country which has granted approval; 3/
- 4.4.2 the number of this Regulation, followed by the letter "R", a dash and the approval number to the right of the circle prescribed in paragraph 4.4.1. above.

3/ 1 for Germany, 2 for France, 3 for Italy, 4 for the Netherlands, 5 for Sweden, 6 for Belgium, 7 for Hungary, 8 for the Czech Republic, 9 for Spain, 10 for Yugoslavia, 11 for the United Kingdom, 12 for Austria, 13 for Luxembourg, 14 for Switzerland, 15 (vacant), 16 for Norway, 17 for Finland, 18 for Denmark, 19 for Romania, 20 for Poland, 21 for Portugal, 22 for the Russian Federation, 23 for Greece, 24 for Ireland, 25 for Croatia, 26 for Slovenia, 27 for Slovakia, 28 for Belarus, 29 for Estonia, 30 (vacant), 31 for Bosnia and Herzegovina, 32 for Latvia, 33 (vacant), 34 for Bulgaria, 35 and 36 (vacant), 37 for Turkey, 38 and 39 (vacant), 40 for the former Yugoslav Republic of Macedonia, 41 (vacant), 42 for the European Community (approvals are granted by the member States which use their own EEC approval marks), 43 for Japan, 44 (vacant), 45 for Australia, 46 for Ukraine, 47 for South Africa, 48 for New Zealand, 49 for Cyprus, 50 for Malta and 51 for the Republic of Korea. Subsequent numbers shall be assigned to other countries in the chronological order in which they ratify the Agreement Concerning the Adoption of Uniform Technical Prescriptions for Wheeled Vehicles, Equipment and Parts which can be fitted and/or be used on Wheeled Vehicles and the Conditions for Reciprocal Recognition of Approvals Granted on the Basis of these Prescriptions, or in which they accede to that Agreement, and the numbers thus assigned shall be communicated by the Secretary-General of the United Nations to the Contracting Parties to the Agreement.

- 4.5. If the vehicle conforms to a vehicle type approved under one or more other Regulations, annexed to the Agreement, in the country which has granted approval under this Regulation, the symbol prescribed in paragraph 4.4.1. need not be repeated; in such a case, the Regulation and approval numbers and the additional symbols shall be placed in vertical columns to the right of the symbol prescribed in paragraph 4.4.1. above.
- 4.6. The approval mark shall be clearly legible and be indelible.
- 4.7. The approval mark shall be placed close to or on the vehicle data plate.

5. SPECIFICATIONS

5.1. Driver's field of vision.

- 5.1.1. The transparent area of the windscreen must include at least the windscreen datum points (see Annex 4, Appendix, Figure 1):
- 5.1.1.1. a horizontal datum point forward of V_1 and 17° to the left (see Annex 4, Appendix, Figure 1)
- 5.1.1.2. an upper vertical datum point forward of V_1 and 7° above the horizontal
- 5.1.1.3. a lower vertical datum point forward of V_2 and 5° below the horizontal;
- 5.1.1.4. to verify compliance with the forward-vision requirement on the opposite half of the windscreen, three additional datum points, symmetrical to the points defined in paragraphs 5.1.1.1. to 5.1.1.3. in relation to the median longitudinal plane of the vehicle, are obtained.
- 5.1.2. The angle of obstruction for each "A" pillar, as described in paragraph 5.1.2.1., shall not exceed 6° (see Annex 4, Appendix, Figure 3). In the case of armoured vehicles that angle shall not exceed 10° .

The angle of obstruction of the "A" pillar on the passenger side, as defined in paragraph 5.1.2.1.2., need not be determined if the two pillars are located symmetrically in relation to the median longitudinal vertical plane of the vehicle.

- 5.1.2.1. The angle of obstruction of each A pillar shall be measured by superimposing in a plane the following two horizontal sections:

Section 1: Starting from the Pm point situated at the location defined in paragraph 5.3.1.1., draw a plane forming an angle of 2° upwards in relation to the horizontal plane passing forward through Pm. Determine the horizontal section of the "A" pillar starting from the foremost point of the intersection of the "A" pillar and the inclined plane (see Annex 4, Appendix, Figure 2).

Section 2: Repeat the same procedure, taking a plane declining at an angle of 5° downwards in relation to the horizontal plane passing forward through Pm (see Annex 4, Appendix, Figure 2).

5.1.2.1.1. The angle of obstruction of the A pillar on the driver's side is the angle formed on the plane view by a parallel, starting from E₂, to the tangent joining E₁ with the outer edge of section S₂ and the tangent joining E₂ to the inner edge of section S₁ (see Annex 4, Appendix, Figure 3).

5.1.2.1.2. The angle of obstruction of the A pillar on the passenger side is the angle formed on the plane view by the tangent joining E₃ to the inner edge of section S₁ and a parallel, starting from E₃, to the tangent joining E₄ to the outer edge of section S₂ (see Annex 4, Appendix, Figure 3).

5.1.2.2. No vehicle shall have more than two A pillars.

5.1.3. Other than the obstructions created by the A pillars, the fixed or movable vent or side window division bars, outside radio aerials, rear-view mirrors and windscreen wipers, there should be no obstruction in the driver's 180° forward direct field of vision below a horizontal plane passing through V₁, and above three planes through V₂, one being perpendicular to the plane X-Z and declining forward 4° below the horizontal, and the other two being perpendicular to the plane Y-Z and declining 4° below the horizontal (see Annex 4, Appendix, Figure 4).

The following are not considered to be obstructions to the field of vision:

- embedded or printed "radio aerial" conductors, no wider than the following:
 - embedded conductors: 0.5 mm,
 - printed conductors: 1.0 mm. These "radio aerial" conductors shall not cross zone A ^{4/}. However, three "radio aerial" conductors may cross zone A if their width does not exceed 0.5 mm.
- within zone A located "defrosting/demisting" normally in "zigzag" or sinusoidal form having the following dimensions:
 - maximum visible width: 0.030 mm
 - maximum conductor density:
 - if the conductors are vertical: 8/cm,
 - if the conductors are horizontal: 5/cm.

5.1.3.1 An obstruction created by the steering-wheel rim and the instrument panel inside the steering wheel will be tolerated if a plane through V₂, perpendicular to the plane x - z and tangential to the highest part of the steering-wheel rim, is declined at least 1° below the horizontal.

5.2. Position of the V points

^{4/} As defined in Annex 18, paragraph 2.2. of Regulation No. 43 concerning the approval of safety glazing and glazing material.

- 5.2.1. The position of the V points in relation to the "R" point, as indicated by XYZ coordinates from the three dimensional reference grid, are as shown in Tables I and IV.
- 5.2.2. Table I indicates the basic coordinates for a design seat-back angle of 25°. The positive direction for the coordinates is indicated in Annex IV, Appendix, Figure 1.

TABLE I

V-point	X	Y	Z
V ₁	68 mm	-5 mm	665 mm
V ₂	68 mm	-5 mm	589 mm

5.3. Position of the P points

- 5.3.1. The position of the P points in relation to the "R" point, as indicated by the XYZ coordinates from the three-dimensional reference grid, are as shown by Tables II, III and IV.
- 5.3.1.1. Table II sets out the base coordinates for a design seat-back angle of 25°. The positive direction of the coordinates is set out in Annex IV, Appendix, Figure 1.

The P_m point is the point of intersection between the straight line joining P₁, P₂ and the longitudinal vertical plane passing through the "R" point.

TABLE II

Point P	X	Y	Z
P ₁	35 mm	-20 mm	627 mm
P ₂	63 mm	47 mm	627 mm
P _m	43.36 mm	0 mm	627 mm

- 5.3.1.2. Table III indicates the further corrections to be made to the X coordinates of P₁ and P₂ when the horizontal seat-adjustment range as defined in paragraph 2.16. exceeds 108 mm. The positive direction for the coordinates is indicated in Annex IV, Appendix, Figure 1.

TABLE III

Horizontal seat-adjustment range	Δx
108 to 120 mm	-13 mm
121 to 132 mm	-22 mm
133 to 145 mm	-32 mm
146 to 158 mm	-42 mm
more than 158 mm	-48 mm

5.4. Correction for design seat-back angles other than 25°

Table IV indicates the further corrections to be made to the X and Z coordinates of each P point and each V point when the design seat-back angle is not 25°. The positive direction for the coordinates is indicated in Annex IV, Appendix, Figure 1.

TABLE IV

Seat-back angle (in °)	Horizontal coordinates Δx	Vertical coordinates Δz	Seat-back angle (in °)	Horizontal coordinates Δx	Vertical coordinates Δz
5	-186 mm	28 mm	23	-18 mm	5 mm
6	-177 mm	27 mm	24	-9 mm	3 mm
7	-167 mm	27 mm	25	0 mm	0 mm
8	-157 mm	27 mm	26	9 mm	-3 mm
9	-147 mm	26 mm	27	17 mm	-5 mm
10	-137 mm	25 mm	28	26 mm	-8 mm
11	-128 mm	24 mm	29	34 mm	-11 mm
12	-118 mm	23 mm	30	43 mm	-14 mm
13	-109 mm	22 mm	31	51 mm	-18 mm
14	-99 mm	21 mm	32	59 mm	-21 mm
15	-90 mm	20 mm	33	67 mm	-24 mm
16	-81 mm	18 mm	34	76 mm	-28 mm
17	-72 mm	17 mm	35	84 mm	-32 mm
18	-62 mm	15 mm	36	92 mm	-35 mm
19	-53 mm	13 mm	37	100 mm	-39 mm
20	-44 mm	11 mm	38	108 mm	-43 mm
21	-35 mm	9 mm	39	115 mm	-48 mm
22	-26 mm	7 mm	40	123 mm	-52 mm

- 5.5. Position of the E points
 - 5.5.1. E_1 and E_2 points are each 104 mm from P_1 .
 E_2 is 65 mm from E_1 (see Annex 4, Appendix, Figure 4)''
 - 5.5.2. The straight line joining E_1 and E_2 is rotated about P_1 until the tangent joining E_1 to the outer edge of Section 2 of the "A" pillar on the driver's side is normal to the straight line $E_1 - E_2$ (see Annex 4, Appendix, Figure 3).
 - 5.5.3. E_3 and E_4 are each 104 mm from points P_2 . E_3 is 65 mm from E_4 . (see Annex 4, Appendix, Figure 4)
 - 5.5.4. The straight line $E_3 - E_4$ is rotated about P_2 until the tangent joining E_4 to the outer edge of Section 2 of the A pillar on the passenger's side is normal to the straight line $E_3 - E_4$ (see Annex 4, Appendix, Figure 3).
6. Test procedure
 - 6.1. Driver's field of vision
 - 6.1.1. The dimensional relationships between the vehicle's primary reference marks and the three-dimensional reference grid shall be determined by the procedure prescribed in Annex 4.
 - 6.1.2. The position of the points V_1 and V_2 is determined in relation to the "R" point as indicated by the XYZ coordinates of the three-dimensional reference grid and are shown in Table I under 5.2.2. and Table IV under 5.4. The windscreen datum points shall then be found from the corrected V points as prescribed in paragraph 5.1.1.
 - 6.1.3. The relationship between the P points, the "R" point, and the centre-line of the driver's seating position, as indicated by XYZ coordinates from the three-dimensional reference grid, shall be determined from Tables II and III in paragraph 5.3. The correction for design seat-back angles other than 25° is shown in Table IV under 5.4.
 - 6.1.4. The angle of obstruction (see paragraph 5.1.2.) shall be measured in the inclined planes, as indicated in Annex 4, Appendix, figure 2. The relationship between P_1 and P_2 , which are connected to E_1 and E_2 and E_3 and E_4 respectively, is shown in Annex 4, Appendix, Figure 5.
 - 6.1.4.1. Straight line $E_1 - E_2$ shall be set as described in paragraph 5.5.2. The angle of obstruction of the A pillar on the driver's side shall be measured as specified in paragraph 5.1.2.1.1.
 - 6.1.4.2. Straight line $E_3 - E_4$ shall be set as described in paragraph 5.5.4. The angle of obstruction of the A pillar on the passenger side shall then be measured as specified in paragraph 5.1.2.1.2.

6.1.5 The manufacturer may measure the angle of obstruction either on the vehicle or in the drawings. In the event of doubt the technical services may require the tests be carried out on the vehicle.

7. MODIFICATION OF VEHICLE TYPE AND EXTENSION OF APPROVAL

7.1. Every modification of the vehicle type as defined in paragraph 2.2. above shall be notified to the administrative department which approved the vehicle type. The department may then either:

7.1.1. consider that the modifications made do not have an adverse effect on the conditions of the granting of the approval and grant an extension of approval;

7.1.2. consider that the modifications made affect the conditions of the granting of the approval and require further tests or additional checks before granting an extension of approval.

7.2. Confirmation or refusal of approval, specifying the alterations, shall be communicated by the procedure specified in paragraph 4.3. above to the Contracting Parties to the Agreement which apply this Regulation.

7.3. The competent authority shall inform the other Contracting Parties of the extension by means of the communication form which appears in Annex 2 to this Regulation. It shall assign a serial number to each extension, to be known as the extension number.

8. CONFORMITY OF PRODUCTION

8.1. Procedures concerning conformity of production shall conform to the general provisions defined in Appendix 2 to the Agreement (E/ECE/324-E/ECE/TRANS/505/Rev.2) and meet the following requirements:

8.2. A vehicle approved pursuant to this Regulation shall be so manufactured as to conform to the type approved by meeting the requirements of paragraph 5. above;

8.3. The competent authority which has granted approval may at any time verify the conformity of control methods applicable to each production unit. The normal frequency of such inspections shall be once every two years.

9. PENALTIES FOR NON-CONFORMITY OF PRODUCTION

9.1. The approval granted in respect of a vehicle type pursuant to this Regulation may be withdrawn if the requirements laid down in paragraph 8. above are not complied with.

9.2. If a Contracting Party withdraws an approval it had previously granted, it shall forthwith so notify the other Contracting Parties applying this Regulation by sending them a communication form conforming to the model in Annex 1 to this Regulation.

10. PRODUCTION DEFINITELY DISCONTINUED

If the holder of the approval completely ceases to manufacture a type of vehicle approved in accordance with this Regulation, he shall so inform the authority which granted the approval, which in turn shall forthwith inform the other Contracting Parties to the Agreement applying this Regulation by means of a communication form conforming to the model in Annex 1 to this Regulation.

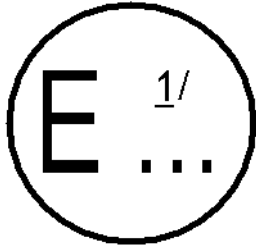
11. NAMES AND ADDRESSES OF THE TECHNICAL SERVICES RESPONSIBLE FOR CONDUCTING APPROVAL TESTS AND OF ADMINISTRATIVE DEPARTMENTS

The Contracting Parties to the Agreement applying this Regulation shall communicate to the United Nations Secretariat the names and addresses of the Technical Services responsible for conducting approval tests and of the administrative departments which grant approval and to which forms certifying approval or extension or refusal or withdrawal of approval are to be sent.

Annex 1

(Maximum format: A4 (210 x 297 mm))

COMMUNICATION



Issued by: (Name of administration)

.....
.....
.....

Concerning 2/ APPROVAL EXTENDED
APPROVAL REFUSED
APPROVAL WITHDRAWN
PRODUCTION DEFINITELY DISCONTINUED

of a type of vehicle with regard to the driver's forward field of vision pursuant to Regulation No. XXX

Approval No.: Extension No.:

1. Trademark:
2. Type and trade name(s):
3. Name and address of manufacturer:
4. If applicable, name and address of manufacturer's representative:
.....
5. Brief description of vehicle:
6. Data to enable the identification of reference point "R" of the seating position designated for the driver in relation to the primary reference marks:
.....
7. Identification, place and relative positions of the primary reference marks:
8. Date of submission of vehicle for approval:
9. Technical service performing the approval tests:
10. Date of report issued by that service:

11. Number of report issued by that service:
12. Approval with regard to the driver's field of vision is granted/refused: 2/
13. Place:
14. Date:
15. Signature:
16. Annexed to this communication are the following documents, bearing the approval number indicated above:

..... dimensional drawings

..... exploded view or photograph of the passenger compartment
17. Any remarks:

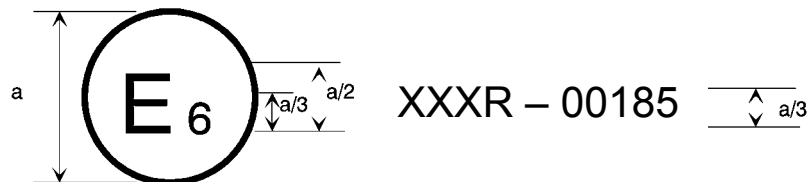
1/ Distinguishing number of the country which has granted/extended/refused/withdrawn an approval (see approval provisions in the Regulation).

2/ Delete what does not apply.

Annex 2

ARRANGEMENTS OF APPROVAL MARKS

(see paragraphs 4.4. to 4.4.2. of this Regulation)



$a = 8 \text{ mm min}$

The above approval mark affixed to a vehicle shows that the vehicle type concerned has been approved in Belgium (E6) with regard to the driver's forward field of vision pursuant to Regulation No. XXX. The first two digits of the approval number indicate that the approval was granted in accordance with the requirements of Regulation No. XXX in its original form.

Annex 3

PROCEDURE FOR DETERMINING THE "H" POINT AND THE ACTUAL
TORSO ANGLE FOR SEATING POSITIONS IN MOTOR VEHICLES

1. PURPOSE

1. The procedure described in this Annex is used to establish the "H" point location and the actual torso angle for one or several seating positions in a motor vehicle and to verify the relationship of measured data to design specification given by the vehicle manufacturer. ^{1/}

2. DEFINITIONS

For the purposes of this Annex.

- 2.1. "Reference data" means one or several of the following characteristics of a seating position:
 - 2.1.1. the "H" point and the "R" point and their relationship;
 - 2.1.2. the actual torso angle and the design torso angle and their relationship.
- 2.2. "Three-dimensional H-point machine" (3-D "H" machine) means the device used for the determination of "H" points and actual torso angles. This device is described in Appendix 1 to this Annex.
- 2.3. "H" point means the pivot centre of the torso and thigh of the 3-D H machine installed in the vehicle seat in accordance with the procedure described in paragraph 4 below. The "H" point is located in the centre of the centre line of the device which is between the 'H' point sight buttons on either side of the 3-D H machine. The "H" point corresponds theoretically to the "R" point (for tolerances, see paragraph 3.2.2. below). Once determined in accordance with the procedure described in paragraph 4., the "H" point is considered as fixed in relation to the seat-cushion structure and as moving with it when the seat is adjusted.
- 2.4. "R" point or "seating reference point" means a design point defined by the vehicle manufacturer for each seating position and established with respect to the three-dimensional reference system.

^{1/} In any seating position other than front seats where the "H" point cannot be determined using the "three-dimensional H-point machine" or other procedures, the "R" point indicated by the vehicle manufacturer may be taken as a reference at the discretion of the competent authority.

- 2.5. "Torso line" means the centre line of the probe of the 3-D H machine with the probe in the fully rearward position.
- 2.6. "Actual torso angle" means the angle measured between a vertical line through the "H" point and the torso line using the back angle quadrant on the 3-D H machine. The actual torso angle corresponds theoretically to the design torso angle (for tolerances, see paragraph 3.2.2. below).
- 2.7. "Design torso angle" means the angle measured between a vertical line through the "R" point and the torso line in a position corresponding to the design position of the seat-back specified by the vehicle manufacturer.
- 2.8. "Centre plane of occupant" (CPO) means the median plane of the 3-D H machine positioned in each designated seating position; it is represented by the co-ordinate of the "H" point on the Y axis. For individual seats, the centre plane of the seat coincides with the centre plane of the occupant. For other seats, the centre plane of the occupant is specified by the manufacturer.
- 2.9. "Three-dimensional reference system" means a system as described in Appendix 2 of this Annex.
- 2.10. "Fiducial marks" are physical points (holes, surfaces, marks or indentations) on the vehicle body as defined by the manufacturer.
- 2.11. "Vehicle measuring attitude" means the position of the vehicle as defined by the coordinates of fiducial marks in the three-dimensional reference system.

3. REQUIREMENTS

3.1. Data presentation

For each seating position where reference data are required in order to demonstrate compliance with the provisions of this Regulation, all or an appropriate selection of the following data shall be presented in the form indicated in Appendix 3 of this Annex:

- 3.1.1. the coordinates of the "R" point relative to the three-dimensional reference system;
 - 3.1.2. the design torso angle;
 - 3.1.3. all indications necessary to adjust the seat (if it is adjustable) to the measuring position set out in paragraph 4.3. below.
- #### 3.2. Relationship between measured data and design specifications

- 3.2.1. The coordinates of the "H" point and the value of the actual torso angle obtained by the procedure set out in paragraph 4 below shall be compared, respectively, with the coordinates of the "R" point and the value of the design torso angle indicated by the vehicle manufacturer.
- 3.2.2. The relative positions of the "R" point and the "H" point and the relationship between the design torso angle and the actual torso angle shall be considered satisfactory for the seating position in question if the "H" point, as defined by its coordinates, lies within a square of 50 mm side length with horizontal and vertical sides whose diagonals intersect at the "R" point, and if the actual torso angle is within 5° of the design torso angle.
- 3.2.3. If these conditions are met, the "R" point and the design torso angle shall be used to demonstrate compliance with the provisions of this Regulation;
- 3.2.4. If the "H" point or the actual torso angle does not satisfy the requirements of item 3.2.2. above, the "H" point and the actual torso angle shall be determined twice more (three times in all). If the results of two of these three operations satisfy the requirements, the conditions of paragraph 3.2.3. above shall apply;
- 3.2.5. If the results of at least two of the three operations described in paragraph 3.2.4. above do not satisfy the requirements of paragraph 3.2.2. above, or if the verification cannot take place because the vehicle manufacturer has failed to supply information regarding the position of the "R" point or regarding the design torso angle, the centroid of the three measured points or the average of the three measured angles shall be used and be regarded as applicable in all cases where the "R" point or the design torso angle is referred to in this Regulation.

4. PROCEDURE FOR "H" POINT AND ACTUAL TORSO ANGLE DETERMINATION

- 4.1. The vehicle shall be preconditioned, at the manufacturer's discretion, at a temperature of 20° C \pm 10° C to ensure that the seat material reaches room temperature. If the seat to be checked has never been sat upon, a 70 to 80 kg person or device shall sit on the seat twice for one minute to flex the cushion and back. At the manufacturer's request, all seat assemblies shall remain unloaded for a minimum period of 30 minutes prior to installation of the 3-D H machine.
- 4.2. The vehicle shall be in the measuring attitude defined in paragraph 2.11. above.
- 4.3. The seat, if it is adjustable, shall be adjusted first to the rearmost normal driving or riding position, as indicated by the vehicle manufacturer, taking into consideration only the longitudinal adjustment of the seat, excluding seat travel used for purposes other than normal driving or riding positions. Where other modes of seat adjustment exist (vertical, angular, seat-back, etc.), these will then be adjusted to the position specified by the vehicle manufacturer. For suspension seats, the vertical position shall be rigidly fixed corresponding to a normal driving position as specified by the manufacturer.

- 4.4. The area of the seating position taken up by the 3-D H machine shall be covered by a muslin cotton, of sufficient size and appropriate texture, described as a plain cotton fabric having 18.9 threads per cm² and weighing 0.228 kg/m², or knitted or non-woven fabric having equivalent characteristics.

If the test is performed on a seat outside the vehicle, the floor on which the seat is placed shall have the same essential characteristics 2/ as the floor of the vehicle in which the seat is intended to be used.

- 4.5. Place the seat and back assembly of the 3-D H machine so that the centre plane of the occupant (CPO) coincides with the centre plane of the 3-D H machine. At the manufacturer's request, the 3-D H machine may be moved inboard with respect to the CPO if the 3-D H machine is located so far outboard that the seat edge will not permit levelling of the 3-D H machine.

- 4.6. Attach the foot and lower leg assemblies to the seat-pan assembly, either individually or by using the T-bar and lower leg assembly. The line through the "H" point sight buttons shall be parallel to the ground and perpendicular to the longitudinal centre plane of the seat.

- 4.7. Adjust the feet and leg positions of the 3-D H machine as follows:

- 4.7.1. Designated seating position: driver and outside front passenger

- 4.7.1.1. Both feet and leg assemblies shall be moved forward in such a way that the feet take up natural positions on the floor, between the operating pedals if necessary. Where possible the left foot shall be located at approximately the same distance to the left of the centre plane of the 3-D H machine as the right foot is to the right. The spirit level verifying the transverse orientation of the 3-D H machine is brought to the horizontal by readjustment of the seat pan if necessary, or by adjusting the leg and foot assemblies towards the rear. The line passing through the "H" point sight buttons shall be maintained perpendicular to the longitudinal centre plane of the seat.

- 4.7.1.2. If the left leg cannot be kept parallel to the right leg and the left foot cannot be supported by the structure, move the left foot until it is supported. The alignment of the sight buttons shall be maintained.

- 4.7.2. Designated seating position: outboard rear seat

For rear seats or auxiliary seats, the legs are located as specified by the manufacturer. If the feet then rest on parts of the floor which are at different levels, the foot which first comes into contact with the front seat shall serve as a reference and the other foot shall be so arranged that the spirit level giving the transverse orientation of the seat of the device indicates the horizontal.

2/ Tilt angle, height difference with a seat mounting, surface texture, etc.

4.7.3. Other designated seating positions:

The general procedure indicated in paragraph 4.7.1. above shall be followed, except that the feet shall be placed as specified by the vehicle manufacturer.

4.8. Apply lower leg and thigh weights and level the 3-D H machine.

4.9. Tilt the back pan forward against the forward stop and draw the 3-D H machine away from the seat-back using the T-bar. Reposition the 3-D H machine on the seat by one of the following methods:

4.9.1. If the 3-D H machine tends to slide rearward, use the following procedure. Allow the 3-D H machine to slide rearward until a forward horizontal restraining load on the T-bar is no longer required, i.e. until the seat pan contacts the seat-back. If necessary, reposition the lower leg.

4.9.2. If the 3-D H machine does not tend to slide rearward, use the following procedure. Slide the 3-D H machine rearward by applying a horizontal rearward load to the T-bar until the seat pan contacts the seat-back (see figure 2 of the Appendix 1 to this Annex).

4.10. Apply a 100 ± 10 N load to the back and pan assembly of the 3-D H machine at the intersection of the hip angle quadrant and the T-bar housing. The direction of load application shall be maintained along a line passing through the above intersection to a point just above the thigh bar housing (see figure 2 of Appendix 1 to this Annex). Then carefully return the back pan to the seat-back. Care must be exercised throughout the remainder of the procedure to prevent the 3-D H machine from sliding forward.

4.11. Install the right and left buttock weights and then, alternately, the eight torso weights. Maintain the 3-D H machine level.

4.12. Tilt the back pan forward to release the tension on the seat-back. Rock the 3-D H machine from side to side through a 10° arc (5° to each side of the vertical centre plane) for three complete cycles to release any accumulated friction between the 3-D H machine and the seat.

During the rocking action, the T-bar of the 3-D H machine may tend to diverge from the specified horizontal and vertical alignment. The T-bar must therefore be restrained by applying an appropriate lateral load during the rocking motions. Care shall be exercised in holding the T-bar and rocking the 3-D H machine to ensure that no inadvertent exterior loads are applied in a vertical or fore and aft direction.

The feet of the 3-D H machine are not to be restrained or held during this step. If the feet change position, they should then be allowed to remain in that attitude for the moment.

Carefully return the back pan to the seat-back and check the two spirit levels for zero position. If any movement of the feet has occurred during the rocking operation of the 3-D H machine, they must be repositioned as follows:

Alternately, lift each foot off the floor the minimum necessary amount until no additional foot movement is obtained. During this lifting, the feet are to be free to rotate; no forward or lateral loads are to be applied. When each foot is placed back in the down position, the heel is to be in contact with the structure designed for this.

Check the lateral spirit level for zero position; if necessary, apply a lateral load to the top of the back pan sufficient to level the 3-D H machine's seat pan on the seat.

- 4.13. Holding the T-bar to prevent the 3-D H machine from sliding forward on the seat cushion, proceed as follows:
 - (a) return the back pan to the seat-back,
 - (b) alternately apply and release a horizontal rearward load, not to exceed 25 N, to the back angle bar at a height approximately at the centre of the torso weights until the hip angle quadrant indicates that a stable position has been reached after load release. Care should be taken to ensure that no exterior downward or lateral loads are applied to the 3-D H machine. If another level adjustment of the 3-D H machine is necessary, rotate the back pan forward, re-level, and repeat the procedure from paragraph 4.12.
- 4.14. Take all measurements:
 - 4.14.1. The coordinates of the "H" point are measured with respect to the three-dimensional reference system.
 - 4.14.2. The actual torso angle is read at the back angle quadrant of the 3-D H machine with the probe in its fully rearward position.
- 4.15. If a rerun of the installation of the 3-D H machine is desired, the seat assembly shall remain unloaded for a minimum period of 30 minutes prior to the re-run. The 3-D H machine shall not be left loaded on the seat assembly longer than the time required to perform the test.
- 4.16. If the seats in the same row can be regarded as similar (bench seat, identical seats, etc.) only one "H" point and one actual torso angle shall be determined for each row of seats, the 3-D H machine described in the Appendix 1 to this Annex being seated in a place regarded as representative for the row.

This place shall be:

 - 4.16.1. In the case of the front row, the driver's seat.
 - 4.16.2. In the case of the rear row or rows, an outer seat.

Annex 3 - Appendix 1

DESCRIPTION OF THE THREE-DIMENSIONAL "H" POINT MACHINE
(3-D H machine) 1/

1. BACK AND SEAT PANS

The back and seat pans are constructed of reinforced plastic and metal; they simulate the human torso and thigh and are mechanically hinged at the "H" point. A quadrant is fastened to the probe hinged at the "H" point to measure the actual torso angle. An adjustable thigh bar, attached to the seat pan, establishes the thigh centre line and serves as a baseline for the hip angle quadrant.

2. BODY AND LEG ELEMENTS

Lower leg segments are connected to the seat pan assembly at the T-bar joining the knees, which is a lateral extension of the adjustable thigh bar. Quadrants are incorporated in the lower leg segments to measure knee angles. Shoe and foot assemblies are calibrated to measure the foot angle. Two spirit levels orient the device in space. Body element weights are placed at the corresponding-centres of gravity to provide seat penetration equivalent to a 76 kg male. All joints of the 3-D H machine should be checked for free movement without encountering any noticeable friction.

1/ The machine corresponds to that described in ISO Standard 6549-1980. For details of the construction of the 3 DH machine refer to Society of Automotive Engineers (SAE), 400 Commonwealth Drive, Warrendale, Pennsylvania 15096, United States of America.

Figure 1

3-D H MACHINE ELEMENTS DESIGNATION

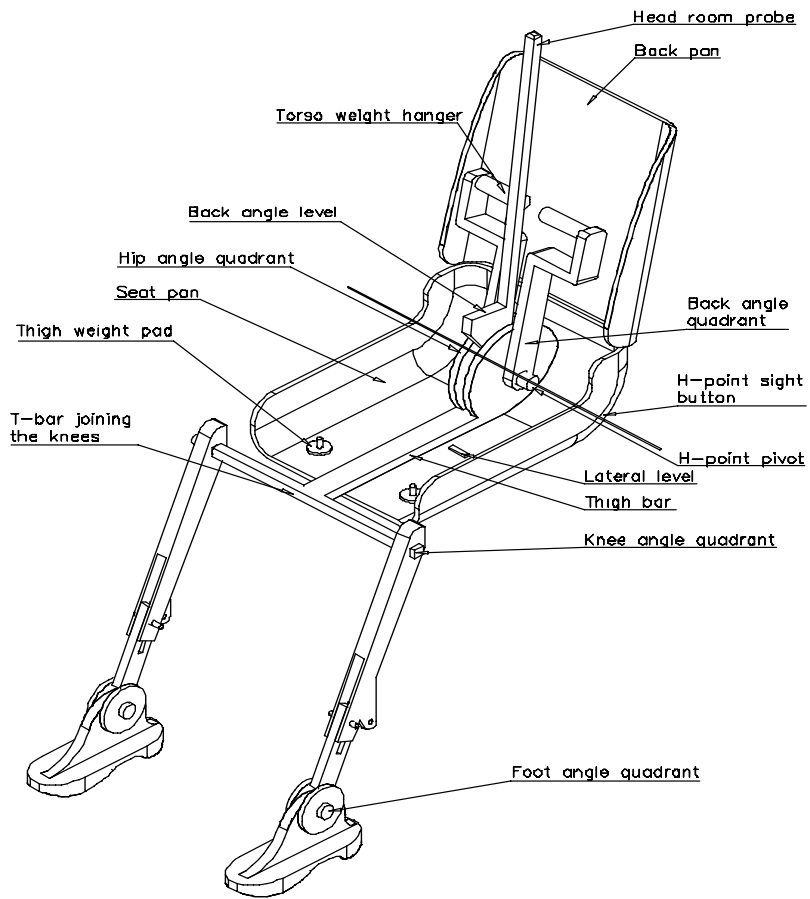
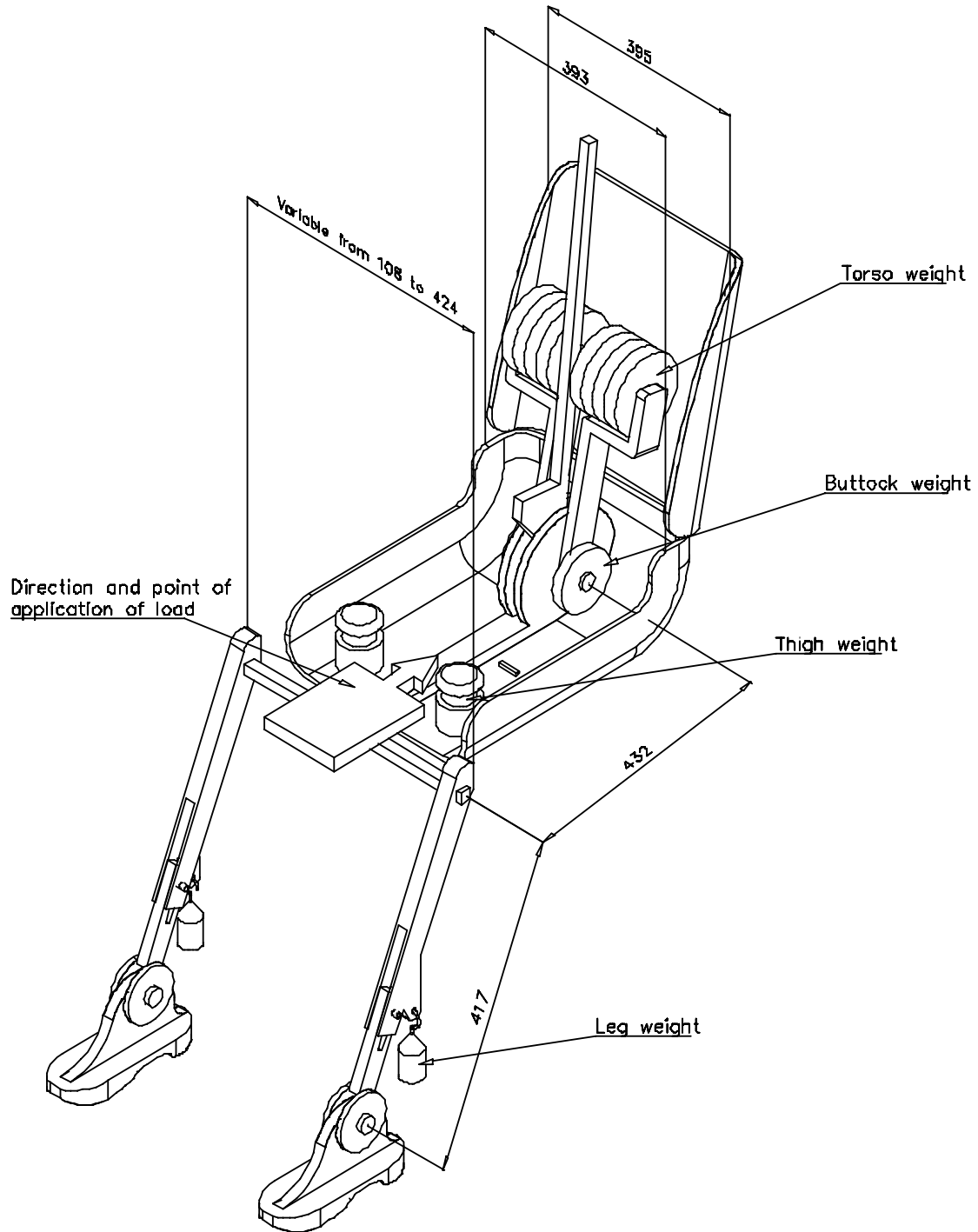


Figure 2

DIMENSIONS OF THE 3-D H MACHINE ELEMENTS AND LOAD DISTRIBUTION



Annex 3 -Appendix 2

THREE-DIMENSIONAL REFERENCE SYSTEM

1. The three-dimensional reference system is defined by three orthogonal planes established by the vehicle manufacturer (see figure). 1/
2. The vehicle measuring attitude is determined by positioning the vehicle on a supporting surface such that the coordinates of the fiducial marks correspond to the values indicated by the manufacturer.
3. The coordinates of the "R" point and the "H" point are established in relation to the fiducial marks defined by the vehicle manufacturer.

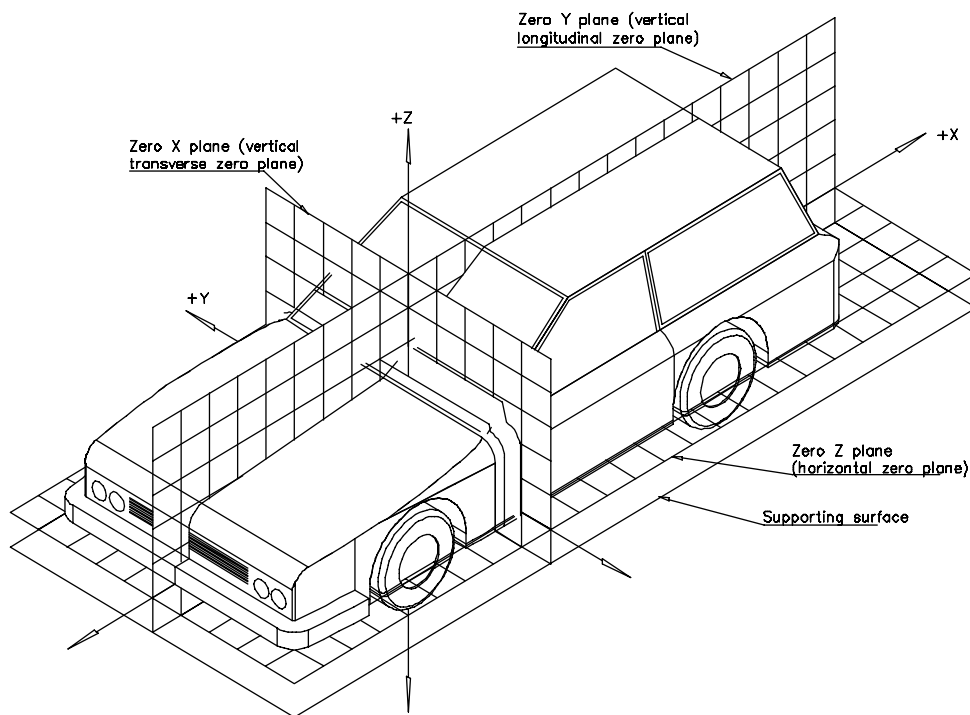


Figure – Three dimensional reference system

1/ The reference system corresponds to ISO Standard 4130:1978.

Annex 3 - Appendix 3

REFERENCE DATA CONCERNING SEATING POSITIONS

1. CODING OF REFERENCE DATA

Reference data are listed consecutively for each seating position. Seating positions are identified by a two-digit code. The first character is an Arabic numeral and designates the row of seats, counting from the front to the rear of the vehicle. The second digit is a capital letter which designates the location of the seating position in a row, as viewed in the direction of forward motion of the vehicle; the following letters shall be used:

L = left,
C = centre,
R = right.

2. DESCRIPTION OF VEHICLE MEASURING ATTITUDE

2.1. Coordinates of fiducial marks

X
Y
Z

3. LIST OF REFERENCE DATA

3.1. Seating position:

3.1.1. Coordinates of the "R" point:

X
Y
Z

3.1.2. Design torso angle:

3.1.3. Specifications for seat adjustment 1/

horizontal:
vertical:
angular:
torso angle:

Note: List reference data for further seating positions under paragraphs 3.2., 3.3., etc.

1/ Strike out what does not apply.

Annex 4

METHOD FOR DETERMINING THE DIMENSIONAL RELATIONSHIPS
BETWEEN THE VEHICLE'S PRIMARY REFERENCE MARKS
AND THE THREE-DIMENSIONAL REFERENCE GRID

1. RELATIONSHIP BETWEEN REFERENCE GRID AND VEHICLE'S PRIMARY
REFERENCE MARKS

To verify specific dimensions on or within a vehicle submitted for approval in accordance with this Regulation, the relationship between the coordinates of the three-dimensional reference grid, defined in paragraph 2.3., which has been laid out at the initial vehicle-design stage, and the positions of the primary reference marks, defined in paragraph 2.4., must be established accurately so that specific points on the vehicle manufacturer's drawings can be identified on an actual vehicle produced from those drawings.

2. METHOD FOR ESTABLISHING RELATIONSHIP OF REFERENCE GRID TO
REFERENCE MARKS

For this purpose, a ground reference plane shall be constructed which is marked with the X-X measurement and the Y-Y measurement. The method of achieving this is set out in Figure 6 of the Appendix of this Annex, the reference plane being a hard, flat, level surface upon which the vehicle stands, and which has two measuring scales firmly fixed to its surface; these shall be graduated in millimetres, the X-X scale being not less than eight metres long and the Y-Y scale not less than four metres long. The two scales must be set at right angles to each other as shown in Figure 6 of the Appendix to this Annex. The intersection of these scales is the ground zero.

3. EXAMINATION OF THE REFERENCE PLANE

In order to provide for minor variations in the level of the reference plane or test area, it will be necessary to measure the deviations from ground zero along both the X and Y scales at intervals of 250 mm and to record the readings obtained so that corrections can be made when checking the vehicle.

4. ACTUAL TEST ATTITUDE

In order to provide for minor changes in suspension height, etc., it will be necessary to have available a means of bringing the reference marks to the correct coordinate positions relative to the design attitude before further measurements are taken. In addition, it must be possible to make minor lateral and/or longitudinal adjustments of the vehicle's position so as to place it accurately in relation to the reference grid.

5. RESULTS

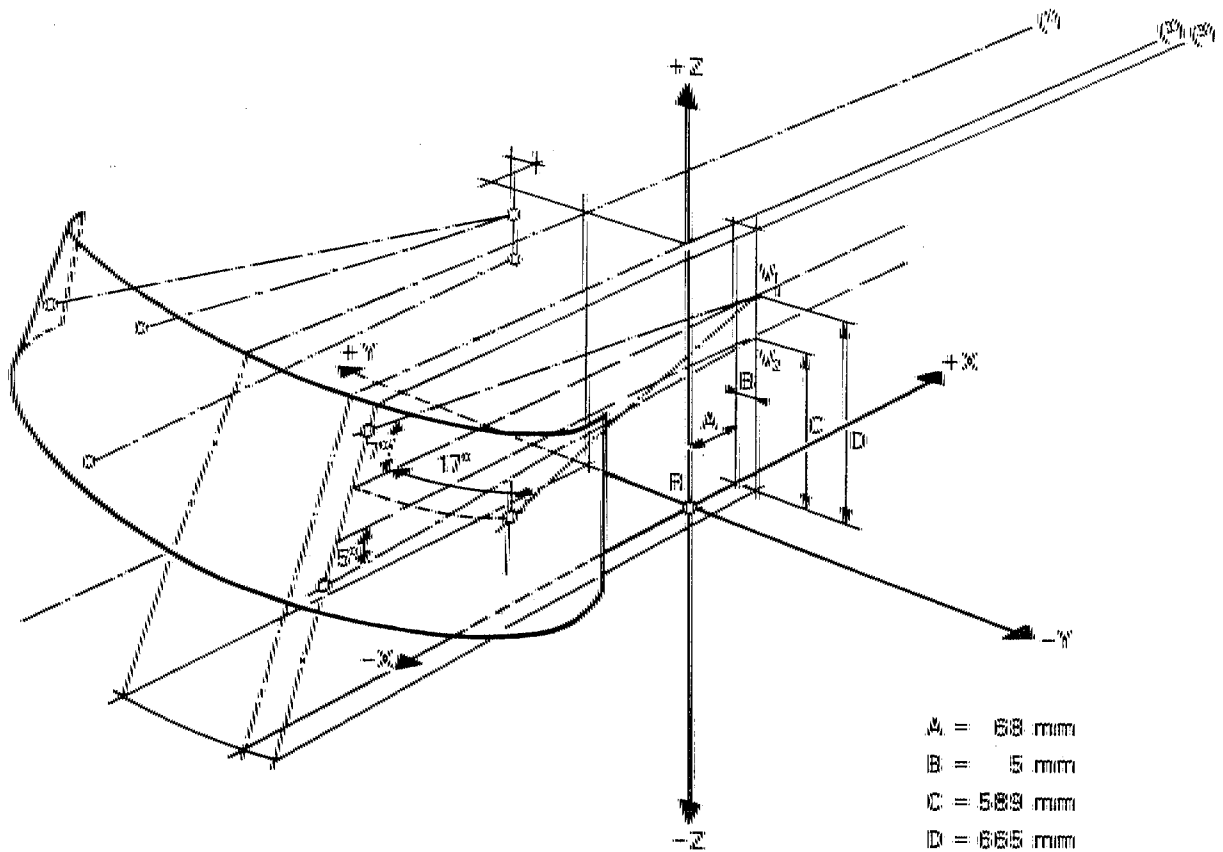
The vehicle having been correctly placed relative to the reference grid and in its design attitude, the site of the necessary points for studying the forward visibility requirements can be readily determined.

Test methods to determine these requirements may include the use of theodolites, light sources or shadow devices, or any other method, which can be shown to give equivalent results.

Annex 4 - Appendix

Figure 1

DETERMINATION OF V POINTS



- (1) Line tracing the median longitudinal plane of the vehicle.
- (2) Line tracing the vertical plane passing through R.
- (3) Line tracing the vertical plane passing through V₁ and V₂.

Figure 2

OBSERVATION POINTS OF THE A PILLARS

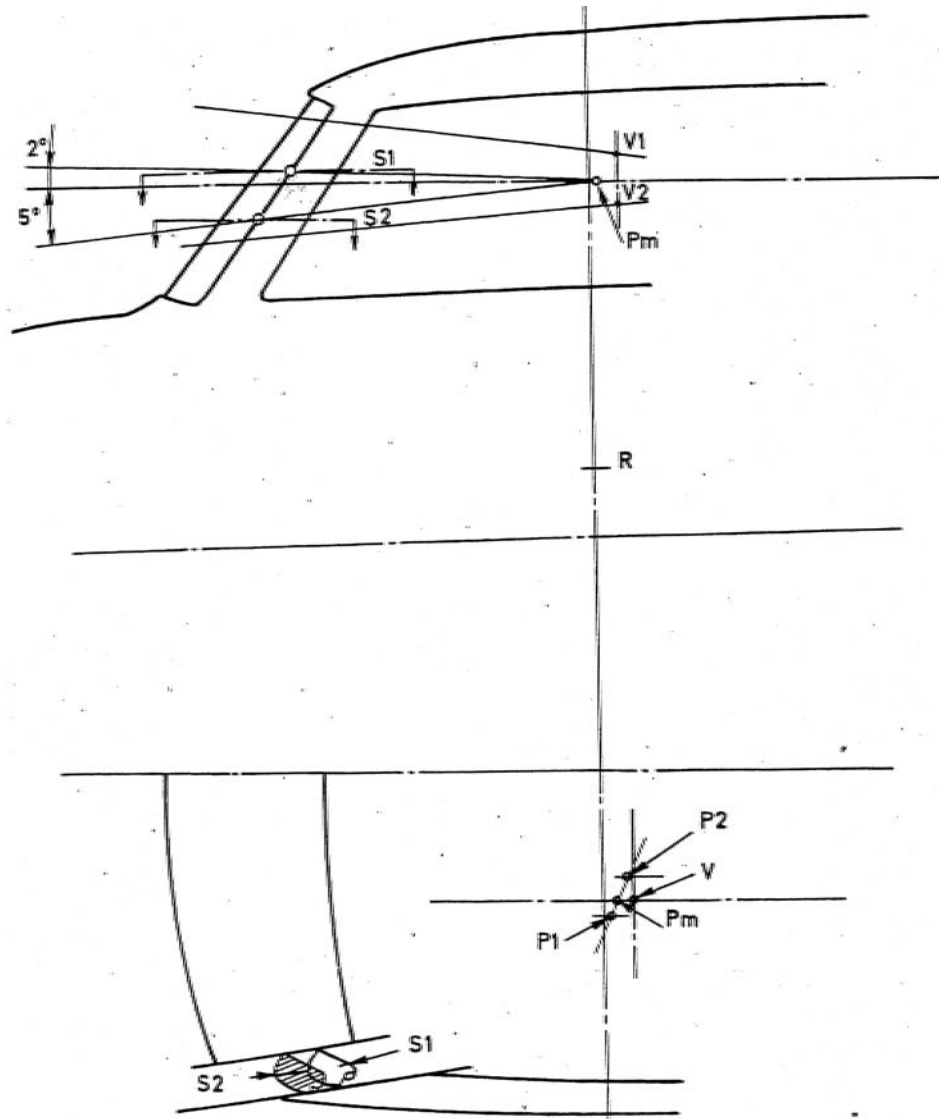


Figure 4

EVALUATION OF OBSTRUCTIONS
IN THE 180° FORWARD DIRECT FIELD OF VISION OF THE DRIVER

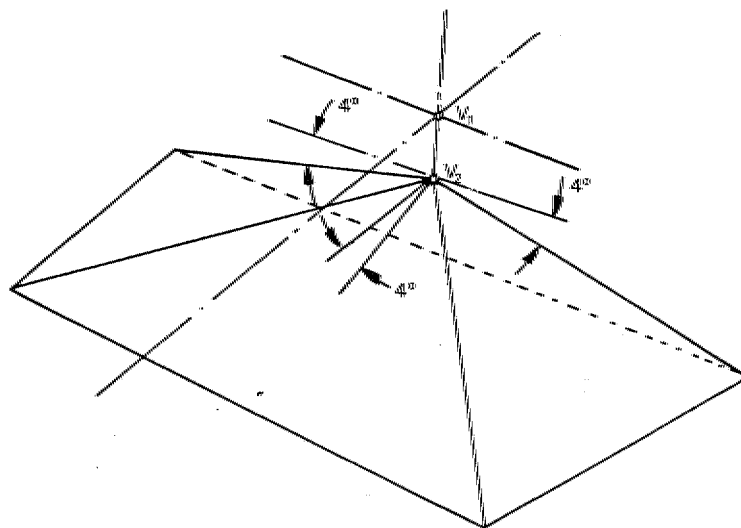
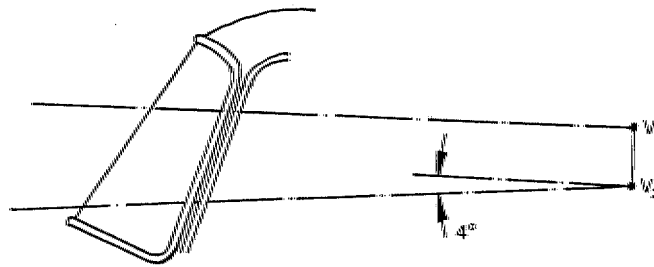


Figure 5

DIMENSIONAL DIAGRAM SHOWING RELATIVE POSITIONS
OF E POINTS AND P POINTS

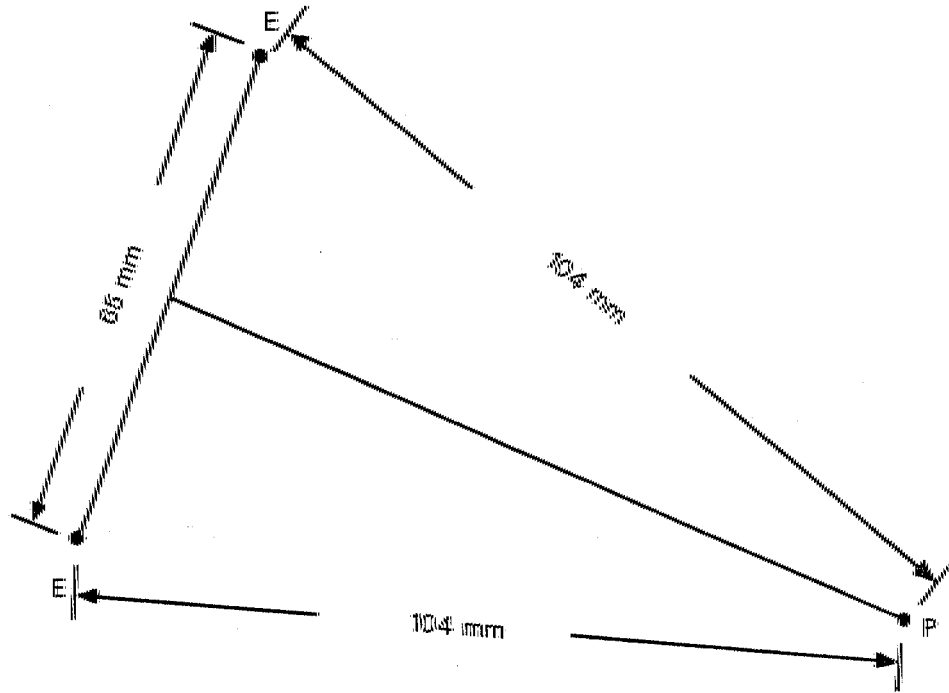


Figure 6

LEVEL WORK PLACE

