



**Economic and Social
Council**

Distr.
RESTRICTED

TRANS/WP.29/GRRF/2003/24
4 July 2003

Original: ENGLISH
ENGLISH AND FRENCH ONLY

ECONOMIC COMMISSION FOR EUROPE

INLAND TRANSPORT COMMITTEE

World Forum for Harmonization of Vehicle Regulations (WP.29)

Working Party on Brakes and Running Gear (GRRF)
(Fifty -fourth session, 6-8 October 2003,
agenda item 6.8.)

PROPOSAL FOR AMENDMENTS TO REGULATION No. 106
(Agricultural tyres)

Transmitted by the Expert from the European Tyre and Rim Technical Organization (ETRTO)

Note: The text reproduced below was prepared by the expert from ETRTO in order to update the prescriptions of the Regulation.

Note: This document is distributed to the Experts on Brakes and Running Gear only.

A. PROPOSAL

Paragraph 3.1.7., delete the words "or "F-3""

Paragraph 3.1.8., amend to read:

"3.1.8. the inscriptions "LS-1", "LS-2", "LS-3" or "LS-4" in the case of ..."

Paragraph 3.1.11., should be deleted.

Paragraph 3.1.12. (former), renumber as paragraph 3.1.11.

Annex 5.

Table 2 (2 of 3) Drive wheel tyres for agricultural tractors – Normal Section Tyres, for tyre size designation 14.9-20, correct the value of "1265" corresponding to the Overall Diameter (D) column, to read "1165".

Annex 7, part C, the table, the last row, correct the value of "75" corresponding to the Speed column to read "70"

Annex 10, the table, insert two new rows to read:

"

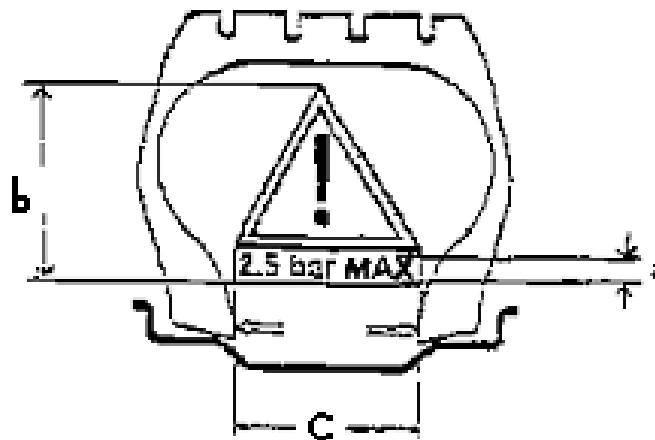
Classification code	Nomenclature
.....
I-6	Agricultural implement tyres : Smooth tread
LS-1	Logging and Forestry Service Tyres : regular tread
LS-2
LS-3
LS-4	Logging and Forestry Service Tyres : shallow tread
.....

"

Annex 11, amend to read:

"Annex 11

EXAMPLE OF THE PICTOGRAM TO BE MARKED ON BOTH TYRE SIDEWALLS
OF THE TYRES TO EXPLICIT THE MAXIMUM INFLATION PRESSURE
NOT TO BE EXCEEDED FOR BEAD SEATING DURING TYRE MOUNTING



- a = 2 mm min (height of lettering)
- b = 12 mm min for tyre section height \leq 120 mm
18 mm min for tyre section height $>$ 120 mm
- c = 14 mm min (width of lettering)

The pictogram must be placed on both sidewalls.

The value of inflation pressure (2.5 bar in the example) must be the same as specified in paragraph 4.1.14. of this Regulation".

* * *

B JUSTIFICATION

The marking "F3", as described in Annex 10, applies to a type of tyres to which the Regulation does not apply as specified in item 1(a).

Paragraph 3.1.10. to be deleted as not all tyres for drive wheels have a preferred direction of rotation whilst the wording imposes the "arrow" for all those types of tyres.

In any case, the indication of the arrow on some tyres does not refer to a safety performance but rather to a recommendation to obtain better tyre performance on the road or when working in the fields.

The corrections of annexes 5 and 7 are due to errors.

The two additional classification codes (LS-1 and LS-4) for logging and forestry service tyres complete the possible cases and identify new developments.

The revision of the pictogram in Annex 11 has the aim of just specifying the minimum values applicable for all tyres and takes into account that tyre sidewalls are curved and subject to relative deformations.
