



**Economic and Social
Council**

Distr.
RESTRICTED

TRANS/WP.29/GRPE/2003/16
10 March 2003

ENGLISH
Original: ENGLISH
ENGLISH AND FRENCH ONLY

ECONOMIC COMMISSION FOR EUROPE

INLAND TRANSPORT COMMITTEE

World Forum for Harmonization of Vehicle Regulations (WP.29)

Working Party on Pollution and Energy (GRPE)

(Forty-sixth session, 19-23 May 2003,
agenda item 12.4.)

PROPOSAL FOR DRAFT AMENDMENTS TO DRAFT SUPPLEMENT 2
TO THE 01 SERIES OF AMENDMENTS TO REGULATION No. 67
(Equipment for liquefied petroleum gas)

Transmitted by the expert from Italy

Note: The text reproduced below was prepared by the expert from Italy in order to introduce into the Regulation some amendments concerning the proposed EURO filling connector. The proposal is based on the text of TRANS/WP.29/2001/61 which is intended to be considered by WP.29 and AC.1 at its March 2003 sessions. The suggested amendments to the Regulation are marked in **bold** characters.

Note: This document is distributed to the Experts on Pollution and Energy only.

A. PROPOSAL

Paragraphs 6.15.10.6.2., amend to read:

"6.15.10.6.2. The flow through the connector at a pressure difference of 300 kPa shall be at least **50 litres/min**, if tested with water."

Figure 3. amend to read:

"

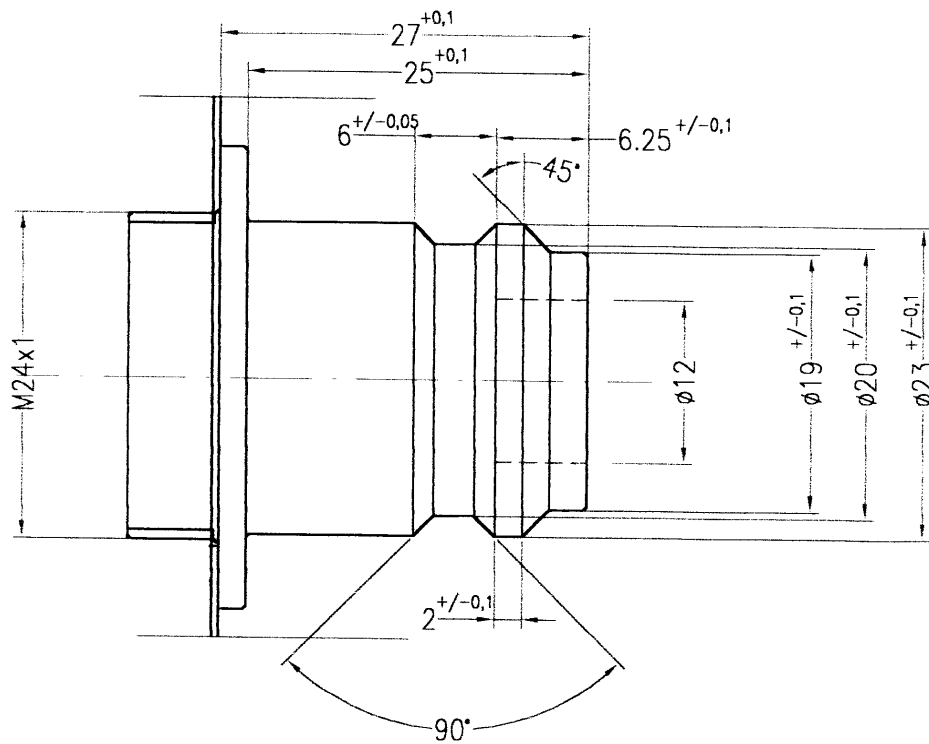


Figure 3: Connecting area of the light vehicle Euro filling unit"

* * *

B. JUSTIFICATION

Italy supports the proposal for an Euro filling unit. However the technical solution should also take into account the LPG vehicle fleet which is mainly made by retrofitted vehicles. For this reason a connector with a reduced size would be suitable. Further justification may be found in informal document No. 5 distributed during the forty-third session of GRPE.
