



**Economic and Social
Council**

Distr.
GENERAL

TRANS/WP.29/2003/78
30 July 2003

ENGLISH
Original: ENGLISH AND FRENCH

ECONOMIC COMMISSION FOR EUROPE

INLAND TRANSPORT COMMITTEE

World Forum for Harmonization of Vehicle Regulations (WP.29)
(One-hundred-and-thirty-first session,
11-14 November 2003, agenda item 4.2.10.)

DRAFT CORRIGENDUM 1 TO THE 04 SERIES OF AMENDMENTS
TO REGULATION No.16

(Safety belts)

Transmitted by the Working Party on Passive Safety (GRSP)

Note: The text reproduced below was adopted by GRSP at its thirty-third session, and is transmitted for consideration to WP.29 and to AC.1. It is based on document TRANS/WP.29/GRSP/2001/15/Rev.2/Corr.1, not amended (TRANS/WP.29/GRSP/33, para.37).

This document is a working document circulated for discussion and comments. The use of this document for other purposes is the entire responsibility of the user.

Documents are also available via the INTERNET:
<http://www.unece.org/trans/main/welcwp29.htm>

Annex 17 – appendix 2,

Paragraph 4., amend to read:

"

.....

B - ISO/F2 : Reduced-Height

B1 - ISO/F2X: Reduced-Height Forward Facing toddler CRS

C - ISO/R3 Full- Size

.....

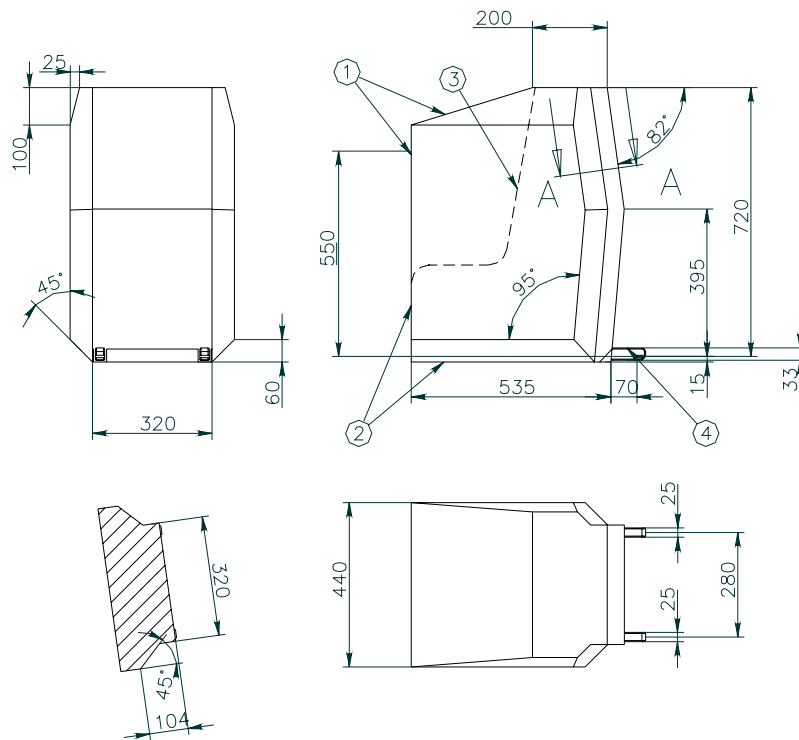
G - ISO/L2 Right Lateral Facing position CRS (carry-cot)

Mass group	ISOFIX size class	Fixture (CRF)
0 – up to 10 kg	F	ISO/L1
	G	ISO/L2
	E	ISO/R1
0+ - up to 13 kg	C	ISO/R3
	D	ISO/R2
	E	ISO/R1
I - 9 to 18 kg	A	ISO/F3
	B	ISO/
	B1	ISO/ F2X
	C	ISO/R3
	D	ISO/R2

"

Paragraphs 4.1. and 4.2., amend to read:

"4.1. Full-height forward-facing toddler child restraint systems envelope

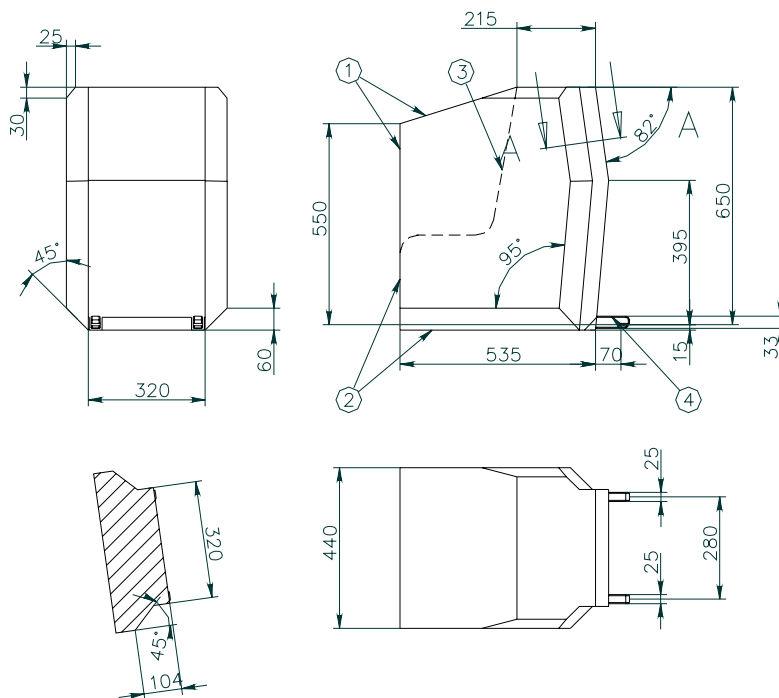


Key

- 1 Limits in the forward and upwards directions
- 2 Dashed line marks area where a support leg, or similar, is allowed to protrude
- 3 N/A
- 4 Further specifications of the connector area is given in Regulation No. 44

Figure 1 – ISO/F3 envelope dimensions for a full-height forward-facing toddler CRS (height 720 mm) - ISOFIX SIZE CLASS A

4.2. Reduced-height forward-facing toddler child restraint systems envelope



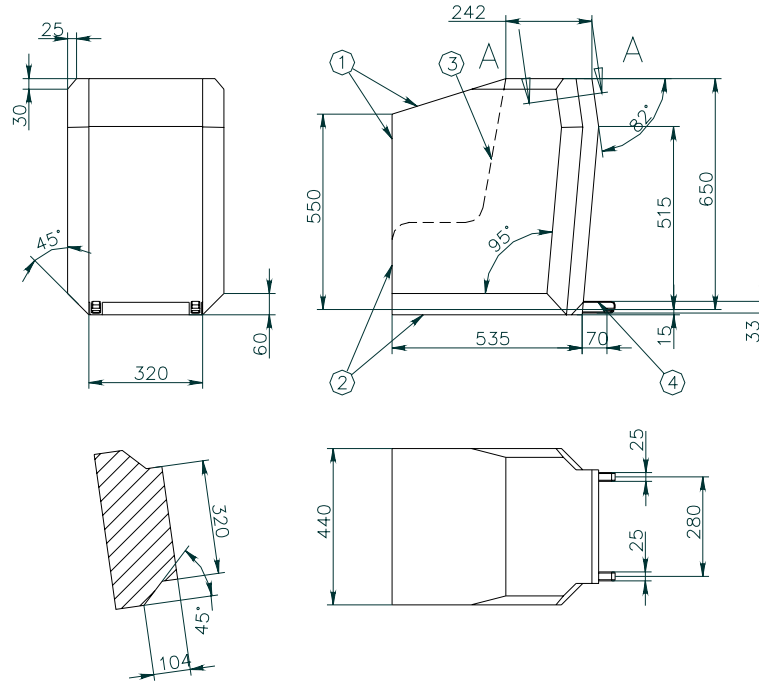
Key

- 1 Limits in the forward and upwards directions
- 2 Dashed line marks area where a support leg, or similar, is allowed to protrude
- 3 N/A
- 4 Further specifications of the connector area is given in Regulation No. 44

Figure 2 – ISO/F2 envelope dimensions for a reduced-height forward-facing toddler CRS, (height 650 mm) – ISOFIX SIZE CLASS B"

Insert a new paragraph 4.3., to read:

"4.3. Reduced-height second version back shape forward-facing toddler child restraint systems envelope



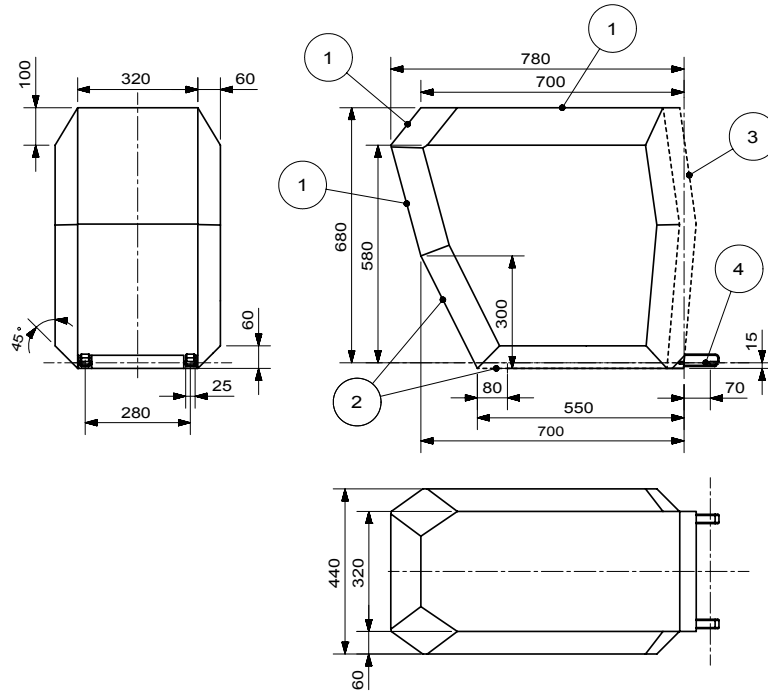
Key

- 1 Limits in the forward and upwards directions
- 2 Dashed line marks area where a support leg, or similar, is allowed to protrude
- 3 N/A
- 4 Further specifications of the connector area is given in Regulation No. 44

Figure 3 – ISO/F2X envelope dimensions for a reduced-height second version back surface shape forward-facing toddler CRS, (height 650 mm) – ISOFIX SIZE CLASS B1"

Paragraphs 4.3. to 4.6. (former), renumber as paragraphs 4.4. to 4.7., and amend to read:

"4.4. Full-size rearward facing toddler child restraint system envelope

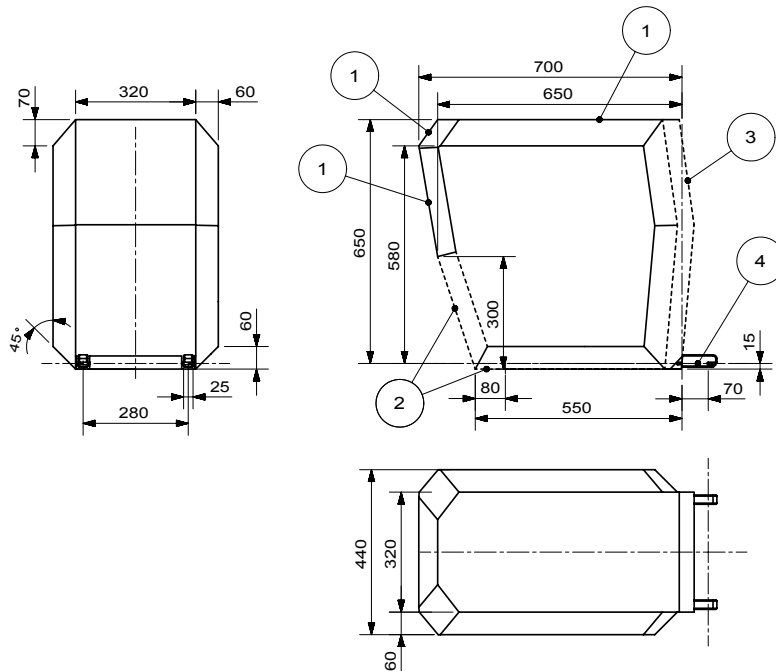


Key

- 1 Limits in the rearward and upwards directions
- 2 Dashed line marks area where a support leg, or similar, is allowed to protrude
- 3 The backwards limitation (to the right in the figure) is given by the forward-facing envelope in Figure 2
- 4 Further specifications of the connector area is given in Regulation No. 44

Figure 4 – ISO/R3 envelope dimensions for a full-size rearward-facing toddler CRS – ISOFIX SIZE CLASS C

4.5. Reduced-size rearward-facing toddler child restraint systems envelope



Key

- 1 Limits in the rearward and upwards directions
- 2 Dashed line marks area where a support leg, or similar, is allowed to protrude
- 3 The backwards limitation (to the right in the figure) is given by the forward-facing envelope in Figure 2
- 4 Further specifications of the connector area is given in Regulation No. 44

Figure 5 – ISO/R2 envelope dimensions for a reduced-size rearward-facing toddler CRS – ISOFIX SIZE CLASS D

4.6. Rearward facing infant child restraint systems envelope

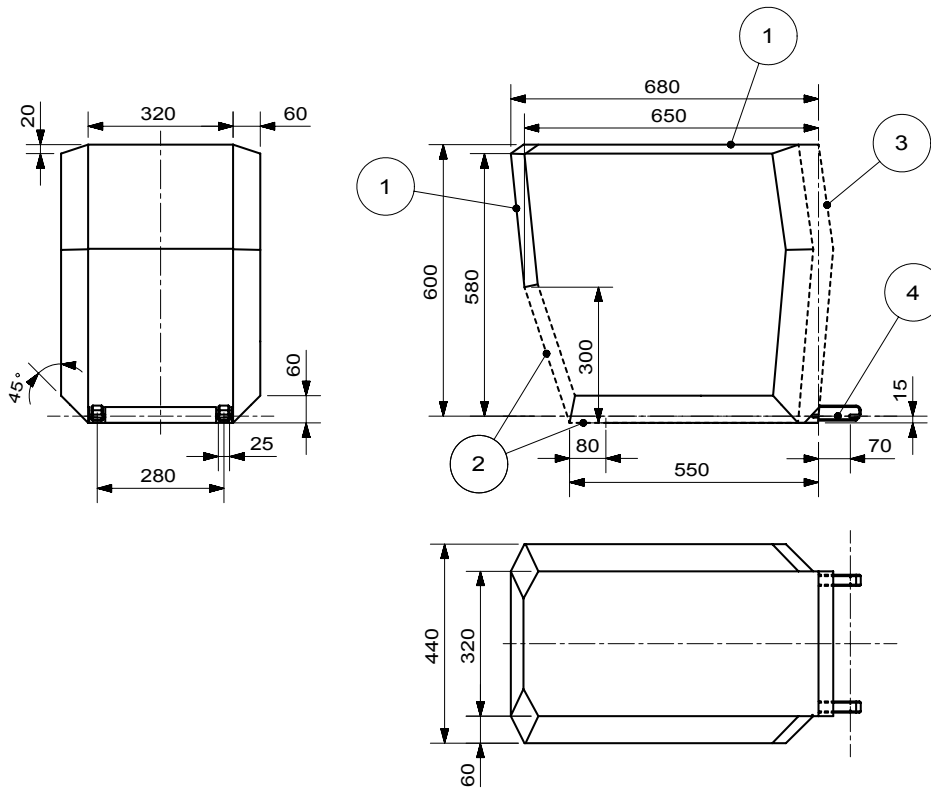


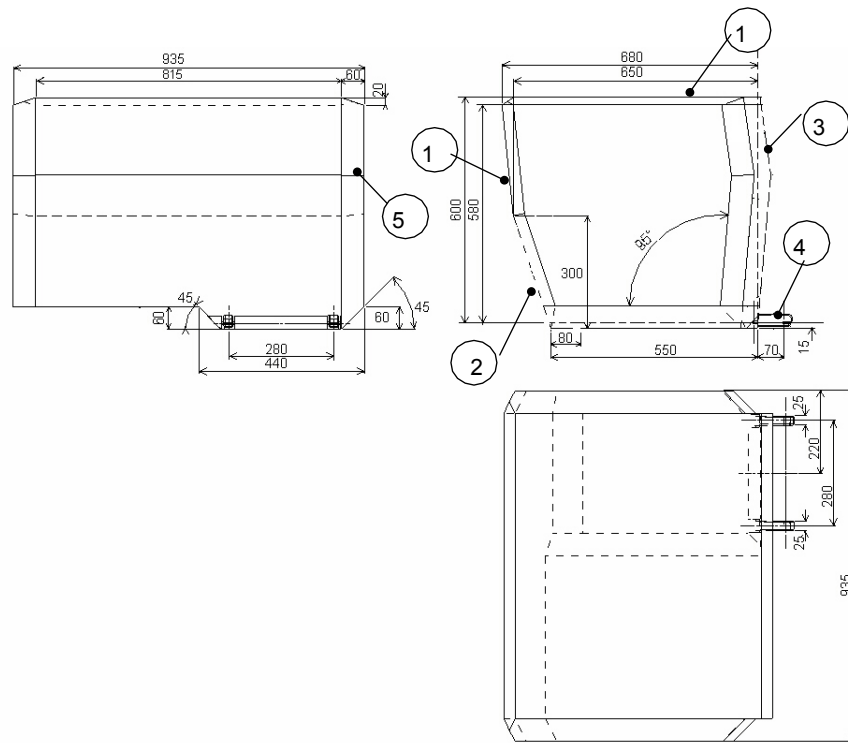
Figure 3 RF 1 Revised

Key

- 1 Limits in the rearward and upward directions
- 2 Dashed line marks area where a support leg, or similar, is allowed to protrude
- 3 The backwards limitation (to the right in the figure) is given by the forward-facing envelope in Figure 2
- 4 Further specifications of the connector area is given in Regulation No. 44

Figure 6 – ISO/R1 envelope dimensions for an infant-size rearward-facing CRS – ISOFIX SIZE CLASS E

4.7. Lateral facing child restraint systems envelope



Key

- 1 Limits in the rearward and upward directions
- 2 Dashed line marks area where a support leg, or similar, is allowed to protrude
- 3 The backward limitation (to the right in the figure) is given by the forward-facing envelope in Figure 2
- 4 Further specifications of the connector area is given in ISO 13216-1, Figures 2 and 3

Figure 7 – Envelop dimensions for lateral facing position CRS - ISO/L1-ISOFIX SIZE CLASS F or symmetrically opposite – ISO/L2 – ISOFIX CLASS G"

Annex 17, appendix 3 (new), table 2, amend to read (note (1) and key of letters to be inserted in the table remains):

"Table 2

TABLE OF VEHICLE HANDBOOK INFORMATION ON ISOFIX CHILD RESTRAINT SYSTEMS INSTALLATION SUITABILITY FOR VARIOUS ISOFIX POSITIONS

Mass Group	Size class	Fixture	Vehicle ISOFIX positions					
			Front Passenger	Rear Outboard	Rear Centre	Intermediate Outboard	Intermediate Centre	Other sites
carrycot	F	ISO/L1						
	G	ISO/L2						
		(1)						
0 - up to 10 Kg	E	ISO/R1						
		(1)						
0+ - up to 13 kg	E	ISO/R1						
	D	ISO/R2						
	C	ISO/R3						
		(1)						
I – 9 to 18 kg	D	ISO/R2						
	C	ISO/R3						
	B	ISO/F2						
	B1	ISO/F2X						
	A	ISO/F3						
		(1)						
II – 15 to 25 kg		(1)						
III – 22 to 36 kg		(1)						

"