

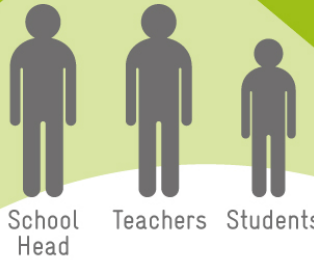
How to ensure healthy learning by improving WASH in Schools

Dr. Arne Panesar

Genève, 16 November 2016



MAKING CHILDREN FIT FOR SCHOOL // TRANSFORMING SCHOOLS INTO HEALTHY PLACES



STAKEHOLDERS

SCHOOL MANAGEMENT




ACTIVITIES



INFRASTRUCTURE & MATERIALS



Basic functional WASH facilities



**Scaling up
Group Handwashing
in Schools**

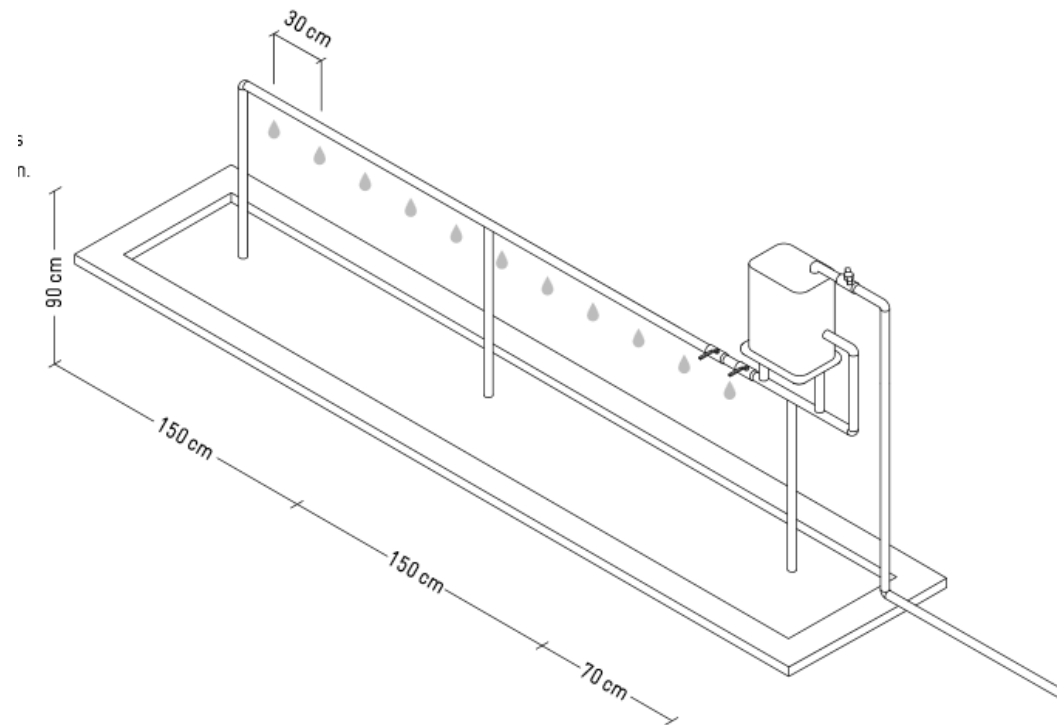
COMPENDIUM OF GROUP WASHING
FACILITIES ACROSS THE GLOBE

Publication prepared to
**FIT FOR SCHOOL
INTERNATIONAL**

**german
cooperation**
DEUTSCHE ZUSAMMENARBEIT

giz Deutsche Gesellschaft
für Internationale
Zusammenarbeit (GIZ) GmbH

unicef





Operation and Maintenance

- A sanitation planner helps to establish a **routine of cleaning and maintenance**
- A **"Toilet Repair Manual"** is currently being developed.

Sanitation Planner

School Name: _____
Date of Issue: _____

Principal: _____
Hygiene Teacher: _____
PTA President: _____

Inventory List						
Girls Toilet	Boys Toilet	Classroom Toilet	Teachers Toilet	Common Toilet	Handwashing Facilities	Storage rooms

This planner is a tool for school-based management of WASH facilities. The goal is to make your school a healthy place. This planner helps your school to organize daily cleaning activities, to clarify roles and responsibilities and material supply.

Three Steps to Keep a Toilet Clean and Functioning

1. Use it	2. Clean it	3. Maintain it
Sit down properly.	Toilet bowl/pan: <ul style="list-style-type: none">→ Spray detergent across the toilet bowl/pan on the inside and outside.→ Scrub the inside of the bowl/pan with toilet brush.→ Wipe the outside of the bowl/pan with wet cleaning cloth.	Refill: <ul style="list-style-type: none">→ Water and soap.
Clean yourself.	Solid Waste: <ul style="list-style-type: none">→ Collect solid waste.→ Dispose it.	Check and Report <ul style="list-style-type: none">→ Leaking pipes or faucets.→ Broken drainage pipe, toilet bowl, doors→ Missing door lock, tabo, bucket, cleaning materials→ Clogged bowl
Dispose cleansing material in trashbin.	Floor: <ul style="list-style-type: none">→ Sweep the floor with broom and dustpan.→ Spray the floor with detergent.→ Scrub the floor with wet floor brush.	
Flush sufficiently to remove urine/feces with a bigger tabo or bucket.	Sink: <ul style="list-style-type: none">→ Spray the sink with detergent.→ Wipe the sink with wet cleaning cloth.	
Check to ensure that there are no remains in the toilet.	Wash your hands with soap.	
Wash your hands with soap.		



Shift from...

- Hardware focus
- Sanitation sector leading
- Construction of toilets
- All or nothing
- Reaching numbers
- Pilot project level

...towards

- Software focus
- Education sector leading
- Management of WASH
- Stepwise process
- Working on processes
- Realistic scale-up



**National
Standards:**

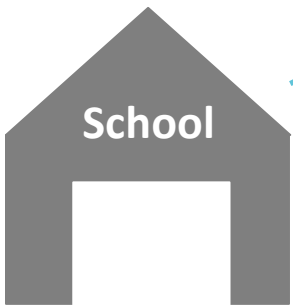
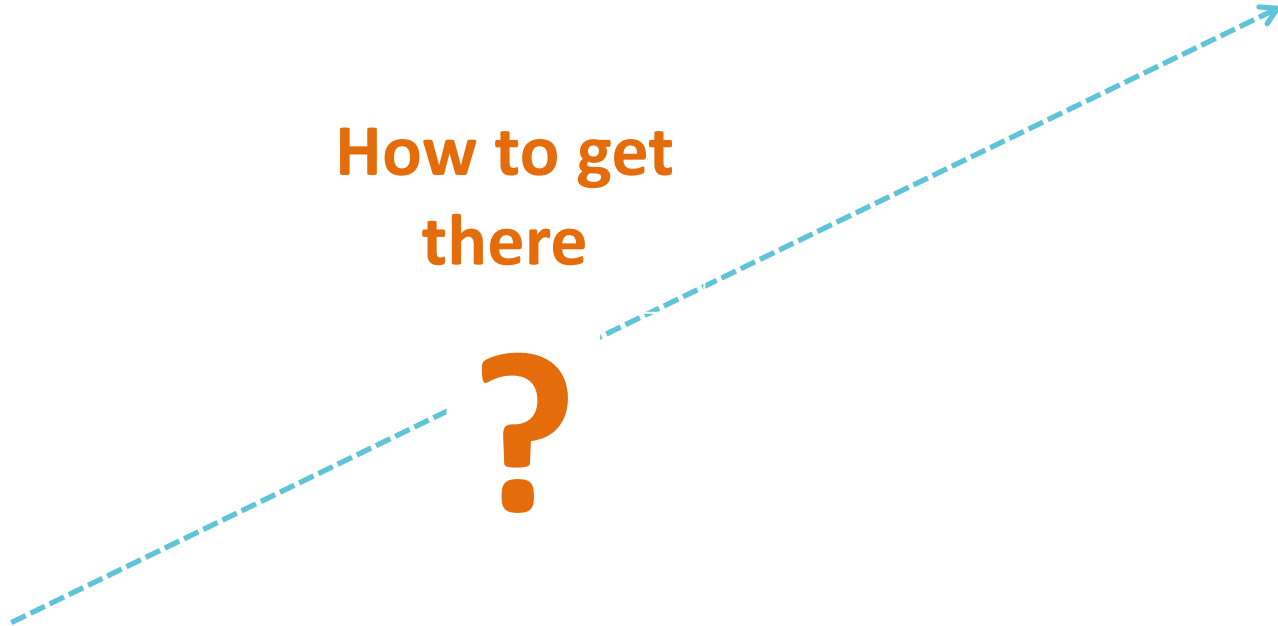
**Sufficient #
of toilets
and facilities**

**Safe
Drinking
water**

**hygiene is
observed**



**How to get
there**



**Reality in
Schools:**

**No or limited
access to
water and
toilets**

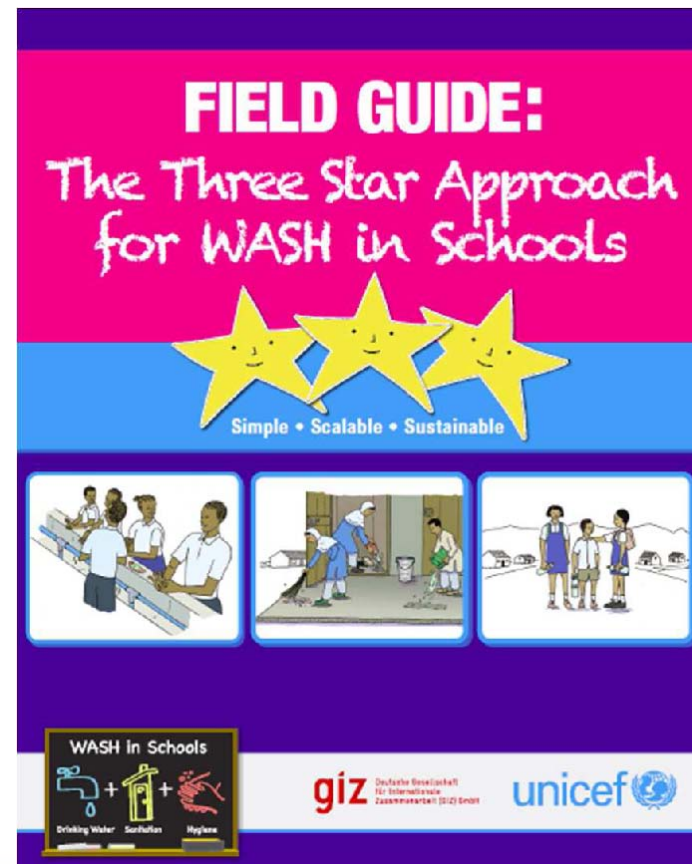
**Lack of
hygiene
behavior**

**No or
limited
WinS funds**



The Three Star Approach for WASH in Schools

- Hand washing with soap
- Functional toilets
- Menstrual Hygiene Management
- Cleaning and Maintenance
- Drinking water





Sustainable Sanitation Alliance - SuSanA



- **SuSanA is an open network** with members who are dedicated to understanding viable and sustainable sanitation solutions
- **Links on the ground experiences with an engaged community** made up of practitioners, policy makers, researchers and academics from different levels
- **Aims at promoting innovation and best practices** in policy, programming and implementation
- **SuSanA currently has more than 7000 individual members, more than 270 partner organisations** consisting of NGOs, private companies, multilateral organisations, governmental and research institutions



Collaboration –
Working groups
Wikis

Join SuSanA



Shared Learning –
Discussion Forum

Information –
Library

Cooperation –
Meetings &
Side Events



Sustainable Sanitation Alliance - SuSanA





Thank you!



Contact:

Dr. Arne Panesar

arne.panesar@giz.de