

Status Report of the Informal Working Group on Safer Transport of Children in Buses and Coaches (IWG-STCBC)

**66th GRSP Session
10 – 13 DECEMBER 2019**

CHAIR: MARTA ANGLÈS , SPAIN

SECRETARY: FARID BENDJELLAL, CLEPA

Background

- Spain suggested the need to create a new UN Regulation for securing children in buses and coaches (GRSP-65-11).
- GRSP agreed to seek consent from WP.29 at its June 2019 session to establish an IWG on "Securing of Children in buses and coaches".
- WP29 agreed to establishing an IWG and requested the Terms of Reference to be established.

Objective

- The objective of the IWG is to develop a new UN Regulation to ensure safer transport of children when traveling in buses and coaches.
- To ensure the good retention of the children in the seat when traveling in buses and coaches in order to ensure the same level of protection as the adults and avoid the ejection of the children from their seats.
- The new UN Regulation will be focused on children from 40 – 150 cm, taking into account different characteristics of M2 and M3 vehicles categories.

Informal Working Group

- 1st IWG-STCBC meeting

Date: 9th July 2019

Location: Ministerio de Industria, Comercio y Turismo , Madrid, Spain

Initial discussions & Drafting Terms of Reference

- 2nd IWG-STCBC meeting

Date: 30th October 2019

Location: Applus IDIADA, Tarragona, Spain

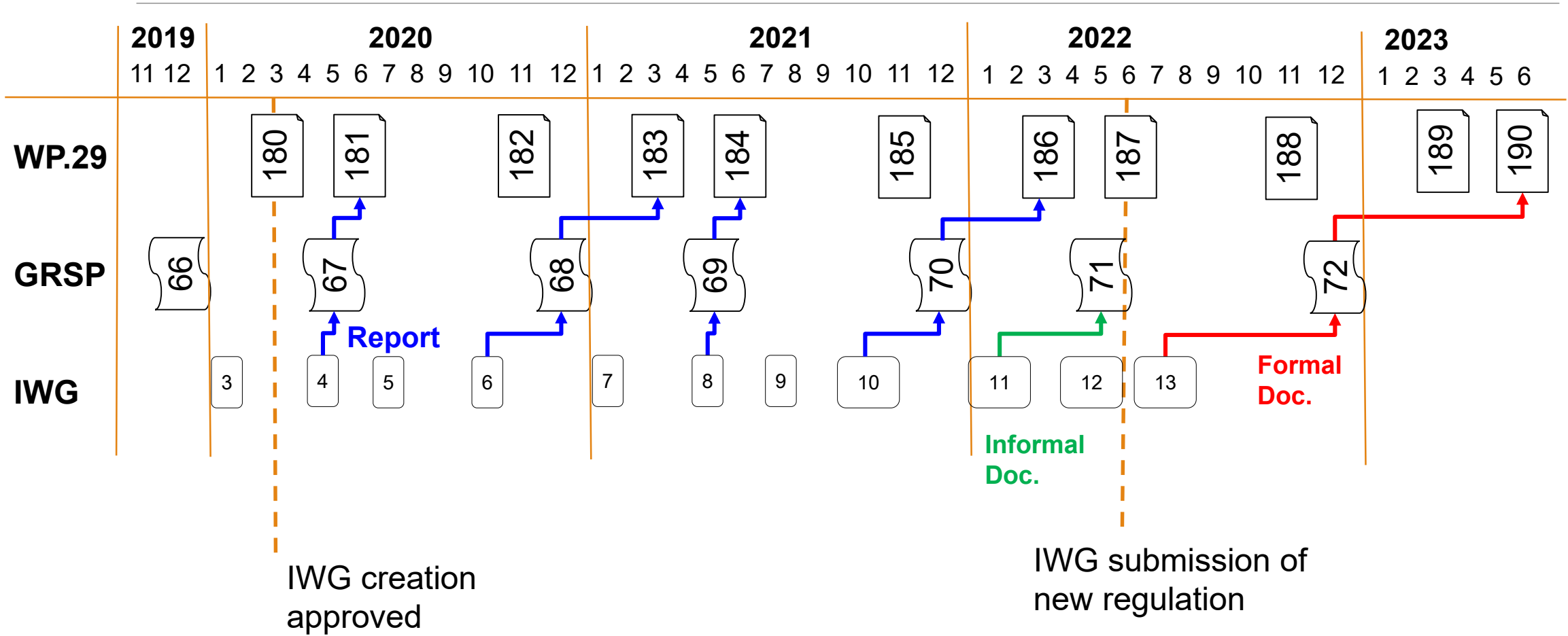
Reviewing accident surveys , discussing key elements to investigate , Defining a draft Road map

Road map

2020	2021	2022
Learning Phase	Execution Phase	Check & Submission to GRSP
Collect data on: <ul style="list-style-type: none">- accident situations- usage conditions- space in and testing requirements for M2 & M3 vehicles- Define format for accident data collection	Defining key elements of the regulation - Drafting Requirements & evaluating their feasibility and relevance	Completion of proposal to GRSP

Timeline

Plan and Schedule



Next IWG Meeting

- 3rd IWG-STCBC meeting

Date: 16th-17th January 2020

Location: CLEPA, Brussels

- 4th IWG-STCBC meeting

Date: 6th-7th May 2020

Location: TBD

Thank you for your attention!
