

Proposal for Amendments to GRPE/2019/12

(Amendment 4 to UN GTR No. 2 (on the measurement procedure for two- wheeled motorcycles equipped with a positive or compression ignition engine with regard to the emissions of gaseous pollutants, CO₂ emissions and fuel consumption))

Submitted by the Informal Working Group on Environmental and Propulsion Performance Requirements (EPPR)*

The text reproduced below was prepared by the Informal Working Group (IWG) on Environmental and Propulsion Performance Requirements (EPPR) in order to provide amendments to GRPE/2019/12, being superseded. This documents is a consolidated version.

* In accordance with the programme of work of the Inland Transport Committee for 2018–2019 (ECE/TRANS/274, para. 123 and ECE/TRANS/2018/21 and Add.1, Cluster 3), the World Forum will develop, harmonize and update Regulations in order to enhance the performance of vehicles. The present document is submitted in conformity with that mandate.



Economic and Social Council

Distr.: General
12 March 2019
Original: English

Economic Commission for Europe

Inland Transport Committee

World Forum for Harmonization of Vehicle Regulations

Working Party on Pollution and Energy

Seventy-ninth session

Geneva, 21-24 May 2019

Item 8(b) of the provisional agenda

**Motorcycles and mopeds: Environmental
and Propulsion Performance Requirements
(EPPR) for L-category vehicles**

Proposal for Amendment 4 to UN GTR No. 2 (on the measurement procedure for two- wheeled motorcycles equipped with a positive or compression ignition engine with regard to the emissions of gaseous pollutants, CO₂ emissions and fuel consumption)

**Submitted by the Informal Working Group on Environmental and
Propulsion Performance Requirements (EPPR)***

The text reproduced below was prepared by the Informal Working Group (IWG) on Environmental and Propulsion Performance Requirements (EPPR) in line with its mandate (ECE/TRANS/WP.29/AC.3/36/Rev.1). A first draft of this proposal (GRPE-78-31) was introduced by the IWG on EPPR at the seventy-eight session of GRPE (see report ECE/TRANS/WP.29/GRPE/78, para. 48).

* In accordance with the programme of work of the Inland Transport Committee for 2018–2019 (ECE/TRANS/274, para. 123 and ECE/TRANS/2018/21 and Add.1, Cluster 3), the World Forum will develop, harmonize and update Regulations in order to enhance the performance of vehicles. The present document is submitted in conformity with that mandate.

UN GTR on the measurement procedure for two-wheeled motorcycles equipped with a positive or compression ignition engine with regard to the emissions of gaseous pollutants, CO₂ emissions and fuel consumption

Content

I. STATEMENT OF TECHNICAL RATIONALE AND JUSTIFICATION	4
A. Introduction	4
B. Procedural background.....	5
C. Existing regulations, directives and international voluntary standards.....	6
D. Discussion of the issues addressed by the UN GTR	8
E. Regulatory impact and economic effectiveness.....	9
II. TEXT OF THE UN GTR.....	10
1. Purpose	10
2. Scope	10
3. Vehicle sub-classification.....	10
4. Definitions.....	12
5. General Requirements.....	15
6. Nomenclature	16
7. Performance requirements for the type I test of a two-wheeled vehicle	16

Annexes

1 TEST TYPE I, EXHAUST EMISSIONS AFTER COLD START.....	18
2 TEST TYPE II, TAILPIPE EMISSIONS AT (INCREASED) IDLE AND AT FREE ACCELERATION.....	65
3 TEST TYPE VII, ENERGY EFFICIENCY.....	70
4 COMMON APPENDIXES.....	75

I. Statement of technical rationale and justification

A. Introduction

The industry producing two-, three and four-wheeled light motor vehicles is a global one, with companies selling their products in many different countries. The Contracting Parties to the 1998 Agreement have all determined that work should be undertaken to address emissions from two-wheeled light motor vehicles as a way to help improve air quality internationally.

This UN GTR covers three main environmental verification test type to verify and validate the environmental performance of a wide range of light motor vehicle types with two-wheels.

The aim of this UN GTR is to provide measures to strengthen the world-harmonisation of light motor vehicle approval and certification legislation, in order to improve the cost effectiveness of environmental performance testing, remove trade barriers, reduce the overall complexity of global legislation, remove potential areas of conflict or opposing requirements and improve the air quality.

The first step in this process in 2004 was to establish the certification procedure for motorcycle exhaust emissions in a harmonised UN GTR No 2. The UN GTR No 2 Revision 1 extends the scope to all two-wheeled vehicles, updates the testing methodology for technical progress and sets out requirements to measure the energy efficiency of different types of propulsion units fitted to two-wheeled light motor vehicles. The test procedures were developed so that they would be:

- representative of world-wide on-road vehicle operation;
- able to provide an internationally harmonised set of environmental tests to ensure efficient and practicable controls of on-road emissions over the normal life of a vehicle;
- corresponding to state-of-the-art testing, sampling and measurement technology in the area of environmental performance testing of two-wheeled light motor vehicles;
- applicable in practice to existing and foreseeable future exhaust emissions abatement technologies;
- applicable in practice to existing and foreseeable future powertrain technologies;
- capable of providing a reliable ranking of exhaust emission levels from different engine types;
- include adequate provisions to prevent test cycle-bypass.

The technical and economic feasibility of the measures contained within this UN GTR have been considered and are discussed further in Section A.5.

This UN GTR amendment covers three test types related to tailpipe emissions:

1. Test Type I: Tailpipe emissions after cold start

To monitor the gaseous pollutant emissions a vehicle produces when in general use, test type I defines a test procedure in a cold start and performing an appropriate driving cycle in a chassis dynamometer which has been designed for that class of

vehicle, while taking into consideration the requirements of test repeatability and reproducibility.

2. Test Type II: Tailpipe emissions at idle (PI engine) and free acceleration test (CI engine)

To test low idle and high idle emissions referred to in road worthiness testing, test type II defines a test procedure at two idle engine speeds for vehicles equipped with PI engines to measure the emissions of CO and HC and a test procedure at free acceleration for vehicles equipped with CI engines to measure opacity which is indirectly representative of particulate matter emissions for CI vehicles.

3. Test Type VII: Energy efficiency, i.e. CO₂ emissions and fuel consumption

To provide information required by consumers to judge the energy efficiency and running costs and practicality of a vehicle, test type VII measures for publication and inclusion in vehicle literature, the energy efficiency with respect to CO₂ emissions and fuel consumption.

The base UN GTR No 2 builds on the work of the WMTC Informal Working Group (IWG), its deliberations and conclusions, provided in the group's Technical Report (ECE/TRANS/180/Add.2/Appendix 1) which produced its last amendment on the base UN GTR in 2011. Amendment 4 to UN GTR No. 2 is based on the work of the Informal Working Group on Environmental and Propulsion unit Performance Requirements of light motor vehicles (EPPR), from now on referred to as L-EPPR informal working group, which held its first meeting during the 65th GRPE in January 2013 sponsored by the European Commission (EC).

B. Procedural background

The original work on the base UN GTR No. 2 started in May 2000 with the establishment of the WMTC Informal Working Group. At the UNECE working party on pollution and energy (GRPE) 45th session in January 2003, a formal proposal by Germany for the establishment of a UN GTR was approved for presentation to the Executive Committee for the 1998 Agreement (AC.3). At its session on 13 November 2003, the proposal from Germany was also approved as a UN GTR project by AC.3.

The base UN GTR No. 2 was approved by AC.3 in June 2005. Amendment 1 to the base UN GTR No. 2 was approved by AC.3 in November 2007. The draft text of Amendment 2 to UN GTR No. 2 on the introduction of performance requirements (limit values for pollutant emissions for vehicles fitted with gasoline engines) was approved by GRPE in January 2011, subject to final decisions concerning the format of the text by AC.3.

At its April 2006 meeting held in Pune (India), the informal working group WMTC/FEG agreed to prepare new test cycle proposals and a new vehicle classification for draft amendments to the UN GTR in order to suit low-powered vehicles, such as commonly used in India and China.

A small WMTC Task Force, coordinated by the International Motorcycle Manufacturers Association (IMMA), was set up to prepare a proposal on the test cycle(s) and any new classification that might be necessary to achieve this objective. The Task Force was attended by India, Italy, Japan, Germany, the EC and IMMA. Task Force meetings were held in August and October 2006.

At its November 2006 meeting held in Ann Arbor (United States of America), WMTC/FEG agreed to a modified version of one of the WMTC Task Force proposals and forwarded it to WMTC Informal Group in January 2007 where it was approved for submission to GRPE.

The intention of setting up the group was put forward by the EU and announced during the 63rd and 64th meetings of the GRPE in January and June 2012 and in the 157th session of the WP.29 in June 2012.

With the mandate (informal document: WP.29-158-15) accepted at the 158th session of the WP.29 (13-16th November 2012) to establish the environmental and propulsion unit performance requirements for light motor vehicles (L-EPPR) informal working group under the GRPE. At the GRPE 79th session in 2019, a formal proposal drafted by the L-EPPR informal working group for Amendment 4 of this UN GTR was tabled for adoption by the Executive Committee for the 1998 Agreement (AC.3).

On-going developments of test types and procedures and global discussion on harmonisation have resulted in the technical requirements contained within this UN GTR. The final text of the UN GTR is presented below, in Part II of this document.

C. Existing regulations, directives and international voluntary standards

C.1. Technical references in the original development of this UN GTR No 2 and related UN GTRs in the area of environmental performance requirements

For the original development of this UN GTR No 2 and related UN GTRs in the area of environmental performance requirements, the following regulations contained relevant applications of exhaust emissions requirements for light motor vehicles which were available for technical reference:

- UN Regulation No. 40, 01 series of amendments:
Uniform provisions concerning the approval of motorcycles equipped with a positive-ignition engine with regard to the emission of gaseous pollutants by the engine
- EU:
Regulation (EU) No 168/2013 was adopted in the course of 2013 as well as the delegated act on environmental and propulsion unit performance requirements Regulation (EU) No 134/2014 (REPPR) in the beginning of 2014 setting out technical provisions and environmental performance test procedures. Both regulations have been amended by Regulation (EU) 2019/129 and by Regulations (EU) 2016/1824 and 2018/295 respectively.
- Indian Regulation:
MoSRT&H/ CMVR/ TAP-115/116, Central Motor Vehicle Rule No. 115 and AIS 137 Part 1
- Japanese Regulation:
 - Road vehicle Act, Article 41 "Systems and Devices of Motor Vehicles";
 - Safety Regulations for Road Vehicles, Article 31 "Emission Control Devices";
- United States of America Regulations:

- US-FTP Subpart F, Emission Regulations for 1978 and Later New Motorcycles
- ISO standards:
- ISO 11486 (Motorcycles - Chassis dynamometer setting method);
- ISO 6460 (gas sampling and fuel consumption);
- ISO 4106 (Motorcycles -- Engine test code -- Net power);

Most of these regulations had been in existence for many years and the methods of measurement varied significantly. The technical experts were familiar with these requirements and discussed them in their working sessions. The L-EPPR Informal Working Group therefore considered that to be able to determine a two-wheeled light motor vehicle's real impact on the environment, in terms of its exhaust pollutant emissions and energy efficiency, the test procedure and consequently the UN GTR No 2 needs to represent modern, real-world vehicle operation.

C.2. Technical references in developing this Amendment 4 to UN GTR No. 2

For the development of Amendment 4 to UN GTR No. 2, the following legislation and technical standards contained relevant applications of requirements for two-wheeled light motor vehicles or transferable provisions for passenger cars:

Test type I:

- UN (1998 agreement, light-duty and heavy-duty vehicles): WLTP (UN GTR 15), UN S.R.1;
- UN (1958 agreement, light motor vehicles): UN Regulation 40, UN Regulation 47 and UN R.E.3;
- UN (1958 agreement, M/N-category vehicles): UN Regulation 83;
- EU: Regulation (EU) No 168/2013;
- Regulation (EU) No 134/2014 (REPPR) (EU delegated act on Environmental and Propulsion unit Performance supplementing Regulation (EU) No 168/2013).

Test type II:

- UN (1958 agreement, light motor vehicles): UN Regulation 40, UN Regulation 47;
- UN (1958 agreement, light-duty vehicles): UN Regulation 83;
- EU: Regulation (EU) No 168/2013;
- CITA (International Motor Vehicle Inspection Committee)

Test type VII:

- UN (1958 agreement, light-duty vehicles): UN Regulation 101, UN Regulation 83;
- EU: Regulation (EU) No 168/2013 and Regulation (EU) No 134/2014 (REPPR).

C.3. Methodology for deriving harmonised test procedures for this amendment of UN GTR 2

The European Commission launched an L-EPPR study in January 2012 with the objective to develop proposals to revise and update UN GTR No 2 for technical progress and to develop proposals for harmonised EPPR legislation not yet covered at the international level for two- and three-wheeled light motor vehicles, e.g. crankcase and evaporative emission test requirements, energy efficiency, durability of pollution control devices, on-board diagnostic requirements, propulsion unit

performance requirements, etc. The output of this comprehensive study was submitted for the assessment and approval of the L-EPPR group.

The methodology used in this study to develop the test procedures contained within the UN GTR involved an iterative process of review. The process was initially based on an assessment of existing literature and new evidence, which was gathered from a wide range of pertinent stakeholders, to provide more insight with regards to the future requirements of the UN GTR.

The first phase comprised a stocktake of appropriate literature, international legislation and proposals. The aim was to ensure that all current and proposed test types and the specific requirements of different regions were captured.

The second phase of the evidence gathering consisted of a stakeholder consultation. An important part of this was a questionnaire, which asked stakeholders to provide information and at times their views on current practices in different regions and the way forward.

The third phase, involved the derivation of the test types contained within the UN GTR, and consisted of a technical evaluation of the information collected in phases one and two. Specifically, each test type was assessed and the following aspects considered:

- common international practices (existing harmonised practices);
- significant differences with respect to testing methods and procedures;
- the global technical feasibility;
- the likely cost and economic impact;
- the likely acceptability for all Contracting Parties;
- the effectiveness of each proposal at improving vehicle emission performance;
- the suitability of the testing procedures with regard to current and future powertrains and technologies.

The order of the aspects presented above does not represent any ranking, the priority was dependent on each of the specific areas analysed during the development of the UN GTR. Where multiple options were left after the assessment of the factors listed above, further iterative evaluation was undertaken by the Informal Working Group.

The fourth and final stage of the study involved a review of the proposed harmonised test procedures by the EC, and following further discussion this feedback was incorporated and a final set of iterations undertaken, which form the technical content of the EC's proposals to revise and supplement UN GTR No 2 and which were made available as working documents to be discussed and agreed by the L-EPPR informal working group.

The outcome of this work was, among others, the development of a new proposal to amend UN GTR No 2 based on the consolidation of existing global legislation and up-to-date technical provisions.

D. Discussion of the issues addressed by the UN GTR

Amendment 4 to UN GTR No. 2 brings together the tailpipe pollutant and CO₂ emissions related test types I, II and VII. This latter mentioned test type VII verifies the energy efficiency of the light motor vehicle in terms of setting out a test

procedure required to determine the CO₂ emissions and fuel consumption of vehicles equipped with a combustion engine.

The process used to develop this UN GTR was based on reaching consensus in order to allow this UN GTR to fulfil the requirements of different regions of the world.

The durability requirements (test type V) were outside the scope of the informal group's mandate within the development of the Amendment 4 to UN GTR No. 2. However, Contracting Parties were expressly permitted within this section to specify durability requirements and/or useful life provisions in their national or regional legislation in relation to the emission limits set out in this UN GTR. A new UN GTR on durability of pollution control devices of two-wheeled light motor vehicles (test type V) will be formulated by the EPPR IWG with harmonised test procedure and will use Amendment 4 to UN GTR No. 2 to verify the tailpipe emissions.

In the development of Amendment 4 to UN GTR No. 2, specific technical issues were raised, discussed, and resolved, which are examined in the Technical Report. The IWG after long discussions took the decision that the basic text to work with was the Regulation (EU) 168/2013, recently amended by Regulation (EU) 2019/129 (Euro 5 emission test provisions/technical requirements) and Regulation (EU) 134/2014, as amended by Regulations (EU) 2016/1824 and 2018/295.

The main resolutions agreed by the IWG and the technical background are addressed in the Technical Report accompanying this Amendment 4 to UN GTR 2.

E. Regulatory impact and economic effectiveness

E.1. Anticipated benefits

Increasingly two-wheeled light motor vehicles are being prepared for the world market. To the extent that manufacturers are preparing substantially different models in order to meet different emission regulations and methods of measuring CO₂ emission and fuel consumption, testing costs and other production values are increased. It would be more economically efficient to have manufacturers using a similar test procedure worldwide wherever possible to prove satisfactory environmental performance before placing a product on the market. It is anticipated that the test procedures in this UN GTR will provide a common test programme for manufacturers to use in countries worldwide and thus reduce the amount of resources utilised to test two-wheeled light motor vehicles. These savings will accrue not only to the manufacturers, but more importantly, to the consumers and the authorities as well. However, developing a test programme just to address the economic question does not completely address the mandate given when work on this UN GTR was first started. The test programme also improves the state of testing two-wheeled light motor vehicles, reflects better how those vehicles are used today and covers recent and near-future powertrain technologies, fuels and emission abatement technologies.

E.2. Potential cost effectiveness

At the time of writing this amendment to this UN GTR 2, the data is not available to undertake a full impact assessment of the test types contained within, as the data will be available based on the implementation by Contracting Parties. This is in part because not all limit values have been set out and it is undecided to what level the proposed upgrade of test procedures will be accepted by Contracting Parties. Specific cost effectiveness values can be quite different, depending on the national or regional environmental needs and market situation. While there are no calculated values here, the belief of the technical group is that there are clear and significant benefits

comparing to justifiable, anticipated cost increases associated with this UN GTR. Finally, this Amendment to UN GTR 2 provides the Contracting Parties applying these test procedures with the capability to test the vehicles according to a dynamic, real-world emission laboratory test-cycle which reflects much better actual environmental performance of two-wheeled light motor vehicles in terms of pollutant emissions and energy efficiency. This in turn will allow for narrowing down the gap between claimed and actual, real-world environmental performance experienced by society.

II. Text of the UN GTR

1. Purpose

- 1.1. This Regulation provides a worldwide-harmonized measurement method for the determination of the levels of gaseous and particulate pollutant emissions at the tailpipe, the emissions of carbon dioxide and the energy efficiency in terms of fuel consumption of two-wheeled motor vehicles that are representative for real world vehicle operation

2. Scope

- 2.1. Two-wheeled motor vehicles equipped with a propulsion unit in accordance with Table 1:

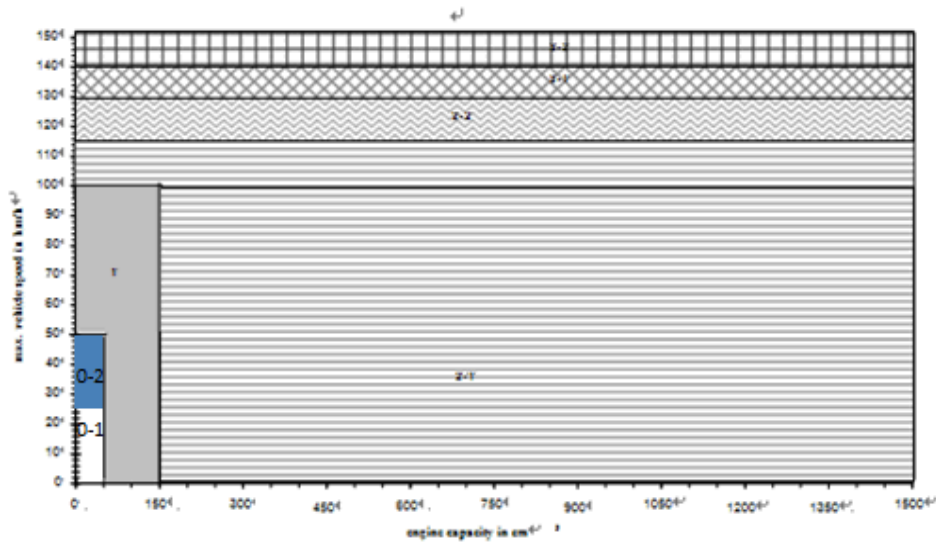
Table 1
Scope with regard to the propulsion unit and fuel type

	<i>Vehicle with PI engine (Petrol)</i>	<i>Vehicle with CI engine (Diesel)</i>
Type I Test	Yes	Yes
Type I Test particulate mass	Yes (only for Direct Injection)	Yes
Type II Test	Yes	Yes
Type VII Test	Yes	Yes

3. Vehicle sub-classification

- 3.1. Figure 1 provides a graphical overview of the vehicle sub-classification in terms of engine capacity and maximum vehicle speed if subject to the environmental test types indicated by the (sub-) class numbers in the graph areas. The numerical values of the engine capacity and maximum vehicle speed shall not be rounded up or down.

Figure 1
Vehicle sub-classification for environmental testing, test types I and VII



3.2. **Class 0**

Vehicles that fulfil the following specifications in Table 2 belong to class 0 and shall be sub-classified in:

Table 2
Sub-classification criteria for class 0 two-wheeled vehicles

Engine Capacity $\leq 50\text{cm}^3$ and $v_{\text{max}} \leq 25\text{km/h}$	Sub-class 0-1
Engine Capacity $\leq 50\text{cm}^3$ and $25\text{km/h} < v_{\text{max}} \leq 50\text{km/h}$	Sub-class 0-2

3.3. **Class 1**

Vehicles that fulfil the following specifications in Table 3 belong to class 1

Table 3
Classification criteria for class 1 two-wheeled vehicles

$50\text{cm}^3 < \text{Engine Capacity} < 150\text{cm}^3$ and $v_{\text{max}} \leq 50\text{km/h}$ Or Engine Capacity $< 150\text{cm}^3$ and $50\text{km/h} < v_{\text{max}} < 100\text{km/h}$	Class 1
-----------------------------------------------------------------------------------------------------------------------------------------------------------------------------------------------------	---------

3.4. **Class 2**

Vehicles that fulfil the following specifications in Table 4 belong to class 2 and shall be sub-classified in:

Table 4
Sub-classification criteria for class 2 two-wheeled vehicles

Engine Capacity $< 150\text{cm}^3$ and $100\text{km/h} \leq v_{\text{max}} < 115\text{km/h}$ Or Engine Capacity $\geq 150\text{cm}^3$ and $v_{\text{max}} < 115\text{km/h}$	Sub-class 2-1
-----------------------------------------------------------------------------------------------------------------------------------------------------------------------------------	---------------

$115\text{km/h} \leq v_{\text{max}} < 130\text{km/h}$	Sub-class 2-2
-------------------------------------------------------	---------------

3.5. **Class 3**

Vehicles that fulfil the following specifications in Table 5 belong to class 3 and shall be sub-classified in:

Table 5

Sub-classification criteria for class 3 two-wheeled vehicles

$130\text{km/h} \leq v_{\text{max}} < 140\text{km/h}$	Sub-class 3-1
$v_{\text{max}} \geq 140\text{km/h}$	Sub-class 3-2

3.6. A Contracting Party may choose Class 0 vehicles to be excluded from the contracting party's regulation

4. Definitions

The following definitions shall apply in this UN GTR:

- 4.1. "*Actuator*" means a converter of an output signal from a control unit into motion, heat or other physical state in order to control the powertrain, engine(s) or drive train;
- 4.2. "*Air intake system*" means a system composed of components allowing the fresh-air charge or air-fuel mixture to enter the engine and includes, if fitted, the air filter, intake pipes, resonator(s), the throttle body and the intake manifold of an engine;
- 4.3. "*Boost control*" means a device to control the boost level produced in the induction system of a turbocharged or super-charged engine;
- 4.4. "*Carburettor*" means a device that blends fuel and air into a mixture that can be combusted in a combustion engine;
- 4.5. "*Catalytic converter*" means an emission pollution-control device which converts toxic by-products of combustion in the exhaust of an engine to less toxic substances by means of catalysed chemical reactions;
- 4.6. "*CO₂ emissions*" means carbon dioxide.
- 4.7. "*Cold-start device*" means a device that temporarily enriches the air/fuel mixture of the engine, or any device or means which can assist to start the engine.
- 4.8. "*Common rail*" means a fuel supply system to the engine in which a common high pressure is maintained;
- 4.9. "*Compression ignition engine*" or "*CI engine*" means a combustion engine working according to the principles of the "Diesel" cycle;
- 4.10. "*Defeat device*" means any element of design which senses temperature, vehicle speed, engine rotational speed, drive gear, manifold vacuum or any other parameter for the purpose of activating, modulating, delaying or deactivating the operation of any part of the emission control and exhaust after-treatment system that reduces the effectiveness of the emission control system under conditions which may reasonably be expected to be encountered in normal vehicle operation and use. Such an element of design may not be considered a defeat device if:

- (a) The need for the device is justified in terms of protecting the engine against damage or accident and for safe operation of the vehicle; or
 - (b) The device does not function beyond the requirements of engine starting; or
 - (c) Conditions are substantially included in the Type 1 test procedures.
- 4.11. "*Drive train*" means the part of the powertrain downstream of the output of the propulsion unit(s) that consists if applicable of the torque converter clutches, the transmission and its control, either a drive shaft or belt drive or chain drive, the differentials, the final drive, and the driven wheel tyre (radius);
- 4.12. "*Drive train control unit*" means the on-board computer that partly or entirely controls the drive train of the vehicle;
- 4.13. "*Driver mass*" means the nominal mass of a driver that shall be 75 kg (subdivided into 68 kg occupant mass at the seat and 7 kg luggage mass in accordance with ISO standard 2416-1992)
- 4.14. "*Electronic throttle control*" (ETC) means the control system consisting of sensing of driver input via the accelerator pedal or handle, data processing by the control unit(s), resulting actuation of the throttle and throttle position feedback to the control unit in order to control the air charge to the combustion engine;
- 4.15. "*Engine and vehicle characteristics*": Subject to the provisions of paragraph 1.1 of Appendix 3 to Annex 4, the engine and vehicle characteristics as defined in Appendix 9 to Annex 4 to this Regulation.
- 4.16. "*Engine capacity*" means:
- (a) for reciprocating piston engines, the nominal engine swept volume;
 - (b) for rotary-piston (Wankel) engines, double the nominal engine swept volume;
- 4.17. "*Engine control unit*" means an on-board computer that partly or entirely controls the engine(s) and all emission related devices / systems of the vehicle;
- 4.18. "*Equivalent inertia*" determined in relation to the reference mass as defined in paragraph [4.41](#), [4.36](#). to this Regulation
- 4.19. "*Exhaust emissions*" means emissions of gaseous pollutants and particulate matter from the tailpipe;
- 4.20. "*Exhaust gas recirculation (EGR) system*" means a part of the exhaust gas flow led back to the combustion chamber of an engine in order to lower the combustion temperature;
- 4.21. "*Forced Induction System*" is the process of delivering compressed air / air-fuel mixture to the intake of an internal combustion engine.
- 4.21.1. "*Super-charger*" means an intake air/air fuel mixture compressor run by any means other than engine exhaust and used for forced induction of a combustion engine, thereby increasing propulsion unit performance;
- 4.21.2. "*Turbocharger*" means an exhaust gas turbine-powered centrifugal compressor boosting the amount of air charge into the combustion engine, thereby increasing the propulsion unit performance;

- 4.22. "*Fuel consumption*" means the amount of fuel consumed, calculated by the carbon balance method.
- 4.23. "*Gaseous pollutants*" means carbon monoxide (CO), oxides of nitrogen (NOx) expressed in terms of nitrogen dioxide (NO₂) equivalence, and hydrocarbons (HC), assuming a ratio of:
C₁H_{1.85} for petrol,
C₁H_{1.86} for diesel fuel.
- 4.24. "*Intercooler*" means a heat exchanger that removes waste heat from the compressed air by a charger before entering into the engine, thereby improving volumetric efficiency by increasing intake air charge density;
- 4.25. "*Maximum net engine power*" is the maximum net engine power of the vehicle as declared by the manufacturer, measured in accordance with Appendix 2, Appendix 2.2, Appendix 2.2.1 and Appendix 2.3 ~~of to~~ Annex X of European Union Regulation (EU) no. 134/2014.
- 4.26. "*Maximum vehicle speed*" (v_{max}) is the maximum speed of the vehicle as declared by the manufacturer, measured in accordance with Appendix 1 and Appendix 1.1 ~~of to~~ Annex X of European Union Regulation (EU) no. 134/2014 (on the maximum design speed, maximum torque and maximum net engine power of two wheeled motor vehicles).
- 4.27. "*Opacity*" means an optical measurement of the density of particulate matter in the exhaust flow of an engine, expressed in m⁻¹;
- 4.28. "*Parent vehicle*" means a vehicle that is representative of a propulsion unit family set out in Appendix 8 to Annex4;
- 4.29. "*Particulate filter*" means a filtering device fitted in the exhaust system of a vehicle to reduce particulate matter from the exhaust flow;
- 4.30. "*Particulate matter*" (PM) means the mass of any particulate material from the vehicle exhaust quantified according to the dilution, sampling and measurement methods as specified in this UN GTR;
- 4.31. "*Pollution-control device*" means those components (hardware or software) of a vehicle that control or reduce emissions;
- 4.32. "*Positive ignition engine*" or "*PI engine*" means a combustion engine working according to the principles of the "Otto" cycle;
- 4.33. "*Powertrain*" means the components and systems of a vehicle that generate power and deliver it to the road surface, including the engine(s), the engine management systems or any other control module, the pollution environmental protection control devices including pollutant emissions and noise abatement systems, the transmission and its control, either a drive shaft or belt drive or chain drive, the differentials, the final drive, and the driven wheel tyre (radius);
- 4.34. "*Properly maintained and used*" means that when selecting a test vehicle it satisfies the criteria with regard to a good level of maintenance and normal use according to the recommendations of the vehicle manufacturer for acceptance of such a test vehicle;

- 4.35. "*Propulsion unit*" means a combustion engine, an electric motor, any hybrid application or a combination of those engine types or any other engine type;
- 4.36. "*Reference mass (m_{ref})*" means the unladen mass of the vehicle increased with the mass of the driver (75 kg);
- 4.37. "*Scavenging port*" means a connector between crankcase and combustion chamber of a two-stroke engine through which the fresh charge of air, fuel and lubrication oil mixture enters the combustion chamber;
- 4.38. "*Sensor*" means a converter that measures a physical quantity or state and converts it into an electric signal that is used as input to a control unit;
- 4.39. "*Stop-start system*" means automatic stop and start of the propulsion unit;
- 4.40. "*Tailpipe emissions*" means the emission of gaseous pollutants and particulate matter at the tailpipe of the vehicle;
- 4.41. "*Unladen mass*" (m_k) means the nominal mass of a complete vehicle as determined by the following criteria:

Mass of the vehicle with bodywork and all factory fitted equipment, electrical and auxiliary equipment for normal operation of vehicle, including liquids, tools, fire extinguisher, standard spare parts, chocks and spare wheel, if fitted.

The fuel tank shall be filled to at least 90 per cent of rated capacity and the other liquid containing systems to 100 per cent of the capacity specified by the manufacturer
- 4.42. "*Useful life*" means the relevant period of distance and/or time over which compliance with the relevant gaseous and particulate emission limits has to be assured.

5. General Requirements

- 5.1. The manufacturer shall equip two-wheeled vehicles in the scope of this UN GTR with systems, components and separate technical units affecting the environmental performance of a vehicle that are designed, constructed and assembled so as to enable the vehicle in normal use and maintained according to the prescriptions of the manufacturer to comply with the detailed technical requirements and testing procedures of this UN GTR during its useful life, as defined by the Contracting Party, including when installed in the vehicle.
- 5.2. Any strategy that "optimises" the powertrain of the vehicle running the relevant test cycles in an advantageous way, reducing tailpipe emissions and running significantly differently under real-world conditions differently than under emission test laboratory conditions, is considered a defeat strategy and is prohibited, unless the manufacturer has documented and declared it to the satisfaction of the responsible authority.
- 5.2.1. An element of design shall not be considered a defeat device if any of the following conditions is met:
- 5.2.1.1. the need for the device is justified in terms of protecting the engine against damage or accident and ensuring safe operation of the vehicle;
- 5.2.1.2. the device does not function beyond the requirements of engine starting;

- 5.2.1.3. the operating conditions are included to a substantial extent in the test procedures for verifying if the vehicle complies with this UN GTR
- 5.3. The environmental performance type-approval regarding test types I, II and VII shall extend to different vehicle variants, versions and propulsion unit types and families, provided that the vehicle version, propulsion unit or pollution-control system parameters specified in Appendix 8 to Annex 4 are identical or remain within the prescribed and declared tolerances in that Annex.

6. Nomenclature

- 6.1. Wherever required, values shall be rounded-off as follows:
When the digit next beyond that last place to be retained, is
- less than 5, retain the last digit unchanged. (E.g. 1.243 becomes 1.24)
 - greater than 5, increase the last digit by one. (E.g. 1.246 becomes 1.25)
 - equals 5, and there are no digits beyond this, or only zeros, increase the last digit by one, if the last digit is odd (E.g. 1.235 becomes 1.24) and retain the last digit unchanged if it is even (E.g. 1.245 becomes 1.24)
 - equals 5, and there are digits beyond this, increase the last digit by one. (E.g. 1.2451 becomes 1.25)
- 6.2. Throughout this document the decimal sign is a full stop (period) "." and if used, the thousands separator is a comma ",".
- 6.3. Temperature shall be measured in °C. Wherever temperature conversion is required in K for calculation purpose, the following equivalence shall be used, °C = 273.15K.

7. Performance requirements for the type I test of a two-wheeled vehicle

- 7.1. The principal requirements of performance are set out in paragraph 7.2. for two-wheeled vehicles. Contracting Parties may also accept compliance with one or more of the alternative performance requirements set out in paragraph 7.3. for two-wheeled vehicles.
- 7.2. The gaseous pollutant emissions for each class of two-wheeled vehicle set out in paragraph 3. of section B.1., obtained when tested in accordance with the applicable test cycle specified in Appendix 12 to Annex 4., shall not exceed the pollutant tailpipe emission limit values specified in Table 6.

Table 6
Principal performance requirements.

Class	Limits (mg/km)					Reference Fuel
	CO	THC (HC)	NMHC	NOx	PM	
PI	1,000	100	68	60	4.5 (only for DI)	As per Table A4.App2/4 (Appendix 2 to Annex 4)

Class	Limits (mg/km)					Reference Fuel
	CO	THC (HC)	NMHC	NOx	PM	
CI	500	100	68	90	4.5	As per Table A4.App2/6 (Appendix 2 to Annex 4)

Note: The test values multiplied by DF must be below the limits in the above table.

DF for PI engine vehicles for CO is 1.3, THC is 1.3, NMHC is 1.3, NOx is 1.3 and PM is 1.0.

DF for CI engine vehicles for CO is 1.3, THC is 1.1, NMHC is 1.1, NOx is 1.1 and PM is 1.0.

7.3 Alternative performance requirements

The gaseous emissions for each class of vehicle set out in section 3. of this UN GTR, obtained when tested in accordance with the applicable test cycle specified in Appendix 12 to Annex 4., shall not exceed the pollutant emission limit values specified in Table 7, as per the Alternate chosen by the Contracting Party.

Table 7

Alternate performance requirements.

Sub-Class	Limits (mg/km) for PI Engines											
	CO			THC (HC)			NOx			THC+NOx (HC+NOx)		
	Alt A ⁽³⁾	Alt B ⁽⁴⁾	Alt C ⁽⁵⁾	Alt A ⁽³⁾	Alt B ⁽⁴⁾	Alt C ⁽⁵⁾	Alt A ⁽³⁾	Alt B ⁽⁴⁾	Alt C ⁽⁵⁾	Alt A ⁽¹⁾⁽³⁾	Alt B ⁽⁴⁾	Alt C ⁽⁵⁾
1	1.403	1.140	2.620	NA	380	750	390	70	170	790	NA	NA
2-1 ⁽²⁾	1.403	1.140	2.620	NA	380	750	390	70	170	790	NA	NA
2-2	1.970	1.140	2.620	NA	380	750	340	70	170	670	NA	NA
3	1.970	1.140	2.620	NA	170	330	200	90	220	400	NA	NA

Notes:

(1) For Alt A, there is an option to comply with evaporative emission norm of 6g/test (instead of 2g/test).

HC+NOx norms to be tightened by 200mg/km from the values given in table

(2) Applicable parts of driving cycle for Alt A are part 1 reduced speed(RS) cold and part 1 reduced speed(RS) hot, as against Euro 4 part 1 reduced speed(RS) cold and part 2 reduced speed(RS) hot

(3) For Alt A: Test values must be below the AltA limits in the above table

(4) For Alt B: Test values multiplied by DF must be below the Alt B limits in the above table; DF for CO is 1.3, for NOx is 1.2 and for HC+NOx is 1.2

(5) For Alt C limits, DF are not applicable

7.4. In tables 6 & 7, THC (HC) refers to total hydrocarbon measured by FID (Flame Ionization Detector).

Annex 1

Test Type I, exhaust emissions after cold start

1. Introduction

- 1.1. This Annex provides a harmonised method for the determination of the levels of gaseous pollutant emissions and particulate matter collected at the tailpipe, the emissions of carbon dioxide and is referred to in Annex 3. to determine the energy efficiency in terms of fuel consumption of the vehicle types within the scope of this UN GTR that are representative for real world vehicle operation.
- 1.2. The results may form the basis for limiting gaseous pollutants, to report carbon dioxide and the energy efficiency of the vehicle in terms of fuel consumption by the manufacturer within the environmental performance approval procedures in a robust and harmonised way.

2. General Requirements

- 2.1. The components liable to affect the emission of gaseous pollutants, carbon dioxide emissions and affecting the energy efficiency of the vehicle shall be so designed, constructed and assembled as to enable the vehicle in normal use, despite the vibration to which it may be subjected, to comply with the provisions of this UN GTR.
Note 1: The symbols used in Annex 1, Annex 2 and Annex 3. are summarised in Appendix 1 to Annex 4.

3. Test Conditions

- 3.1. Test room
 - 3.1.1. The test room with the chassis dynamometer and the gas sample collection device shall have a temperature of 25 ± 5 °C. The room temperature shall be measured in the vicinity of the vehicle cooling blower (fan) before and after the type I test.
 - 3.1.2. The absolute humidity (H_a) of either the air in the test cell or the intake air of the engine shall be measured, recorded and correction factors for NO_x shall be applied.
 - 3.1.2.1. Humidity correction factor
(reserved)
 - 3.1.3. The soak area shall have a temperature of 25 ± 5 °C and be such that the test vehicle which has to be preconditioned can be parked in accordance with para. 4.2.4. of Annex 1.
- 3.2. WMTC, test cycle parts
The WMTC test cycle (vehicle speed patterns) for type I, VII and VIII environmental tests consist of up to three parts as set out in Appendix 12 to Annex 4. Depending on the vehicle classification in terms of engine displacement and maximum design vehicle speed in accordance with

paragraph 3 of this Regulation, the following WMTC test cycle parts in Table A1/1 shall be run.

Table A1/1
Applicable parts of WMTC as specified in Appendix 12 to Annex 4,

<i>Vehicle Sub classification</i>	<i>Applicable Parts of WMTC as specified in Appendix 12 to Annex 4</i>
Class 0 subdivided in:	
Sub-class 0-1	part 1, RST25 in cold condition, followed by part 1, RST25 in warm condition
Sub-class 0-2	part 1, RST45 in cold condition, followed by part 1, RST45 in warm condition
Class 1	part 1, reduced vehicle speed in cold condition, followed by part 1, reduced vehicle speed in warm condition
Class 2 subdivide in:	
Sub-class 2-1	part 1, reduced vehicle speed in cold condition, followed by part 2, reduced vehicle speed in warm condition
Sub-class 2-2	part 1, in cold condition, followed by part 2, in warm condition
Class 3 subdivided in:	
Sub-class 3-1	part 1, in cold condition, followed by part 2, in warm condition, followed by part 3, reduced vehicle speed in warm condition
Sub-class 3-2	part 1, in cold condition, followed by part 2, in warm condition, followed by part 3, in warm condition

3.3. Specification of the reference fuel

The appropriate reference fuels as specified in Appendix 2 to Annex 4 shall be used for conducting test type I.

Principal norms for Type I test shall be those of Table A4.App2/2, or Table A4.App2/4 reference fuel for petrol vehicles, and Table A4.App2/6 for Diesel vehicles. For alternate norms, regional reference fuels used for Type I test by contracting parties may be used as indicated in Table A1/2.

Table A1/2
Reference fuels to be used of the principal and alternative norms

<i>Performance requirement</i>	<i>Reference fuel specification</i>
Principal Norm requirement	See Table A4.App2/2, Table A4.App2/4 and Table A4.App2/6
Alternative A	See Table A4.App2/1 of Appendix 2 to Annex 4
Alternative B	See Table A4.App2/2
Alternative C	See Table A4.App2/2

3.4. Type I test procedure

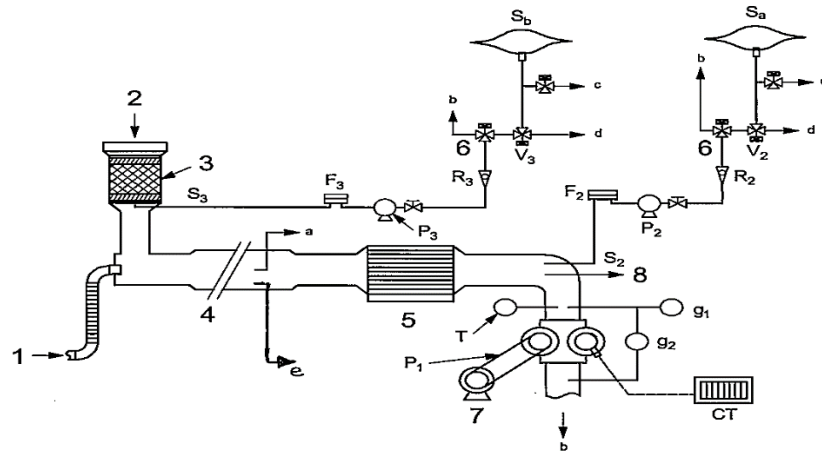
3.4.1. Driver

The test driver shall have a mass of 75 kg ± 5 kg.

3.4.2. Test bench specifications and settings

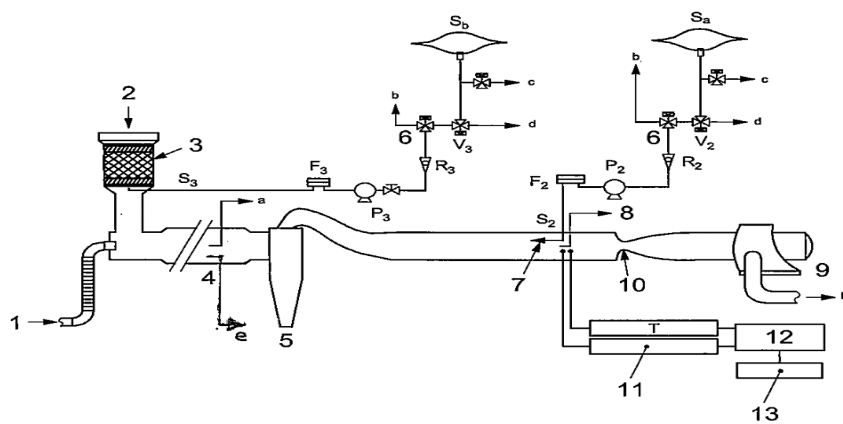
- 3.4.2.1. The chassis dynamometer shall have a single roller in the transverse plane with a diameter of at least 400 mm, alternatively, a chassis dynamometer equipped with two rollers on a single axle in the transverse plane (one for each wheel) is permitted when testing two-wheeled vehicles with twinned wheels.
- 3.4.2.2. The dynamometer shall be equipped with a roller revolution counter for measuring actual distance travelled.
- 3.4.2.3. Dynamometer flywheels or other means shall be used to simulate the inertia specified in paragraph 4.2.2.
- 3.4.2.4. The dynamometer rollers shall be clean, dry and free from anything which might cause the tyre(s) to slip.
- 3.4.2.5. Cooling fan specifications as follows:
 - 3.4.2.5.1. Throughout the test, a variable-rotation speed cooling blower (fan) shall be positioned in front of the vehicle so as to direct the cooling air onto it in a manner that simulates actual operating conditions. The blower rotation speed shall be such that, within the operating range of 10 to 50 km/h, the linear velocity of the air at the blower outlet is within ± 5 km/h of the corresponding roller speed (from which the actual vehicle speed is calculated). At the range of over 50 km/h, the linear velocity of the air shall be within ± 10 percent. At a desired vehicle speed of less than 10 km/h, air velocity may be zero.
 - 3.4.2.5.2. The air velocity referred to in paragraph 3.4.2.5.1. shall be determined as an averaged value of nine measuring points which are located at the centre of each rectangle dividing the whole of the blower outlet into nine areas (dividing both horizontal and vertical sides of the blower outlet into three equal parts). The value at each of the nine points shall be within 10 percent of the average of the nine values.
 - 3.4.2.5.3. The blower outlet shall have a cross-section area of at least 0.4 m² and the bottom of the blower outlet shall be between 5 and 20 cm above floor level. The blower outlet shall be perpendicular to the longitudinal axis of the vehicle, between 30 and 45 cm in front of its front wheel. The device used to measure the linear velocity of the air shall be located at between 0 and 20 cm from the air outlet.
- 3.4.2.6. The detailed requirements regarding the chassis dynamometer are listed in Appendix 6 to Annex 4.
- 3.4.3. Exhaust gas measurement system
 - 3.4.3.1. The gas-collection device shall be a closed-type device that can collect all exhaust gases at the vehicle exhaust outlets on condition that it satisfies the backpressure condition of ± 1.225 Pa (125 mm H₂O). An open system may be used instead if it is confirmed that all the exhaust gases are collected. The gas collection shall be such that there is no condensation which could appreciably modify the nature of exhaust gases at the test temperature. An example of a gas-collection device is illustrated in Figure A1/1a and Figure A1/1b:

Figure A1/1a
 An example of closed-type systems for sampling gases and measuring their volume



- Key**
- | | |
|-------------------------------------------------|-----------------------------------------------------|
| 1 exhaust gas | P ₁ positive displacement pump |
| 2 dilution air | P ₂ , P ₃ sampling pumps |
| 3 dilution air filter | R ₂ , R ₃ flowmeters |
| 4 dilution tunnel | S _a , S _b sampling bags |
| 5 heating exchanger | S ₂ , S ₃ sampling probes |
| 6 diversion valve | T temperature gauge |
| 7 motor | V ₂ , V ₃ valves |
| 8 continuous sampling probe | a To HFID; special sampling line when HFID is used. |
| CT revolution counter | b To atmosphere. |
| F ₂ , F ₃ filters | c To exhaust pump. |
| g ₁ , g ₂ pressure gauges | d To analysing system. |
| | e To PM; special sampling line when PM is used. |

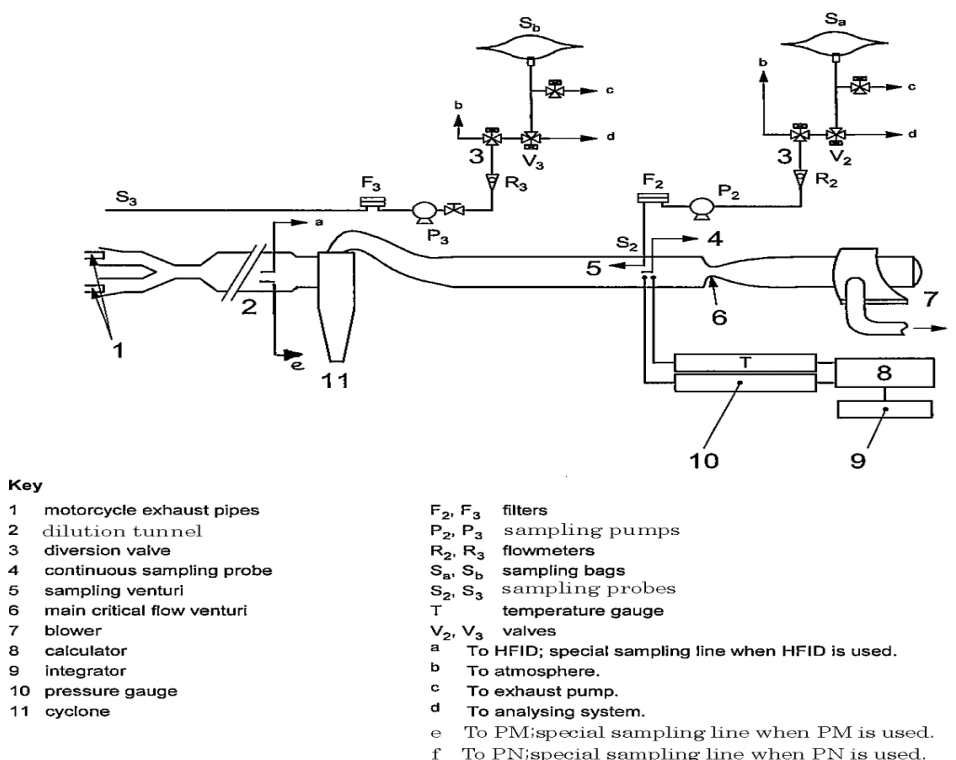
Schematic diagram for the representative closed type CVS system with PDP



- Key**
- | | |
|-------------------------------|-----------------------------------------------------|
| 1 exhaust gas | F ₂ , F ₃ filters |
| 2 dilution air | P ₂ , P ₃ sampling pumps |
| 3 dilution air filter | R ₂ , R ₃ flowmeters |
| 4 dilution tunnel | S _a , S _b sampling bags |
| 5 cyclone | S ₂ , S ₃ sampling probes |
| 6 diversion valve | T temperature gauge |
| 7 sampling venturi | V ₂ , V ₃ valves |
| 8 continuous sampling probe | a To HFID; special sampling line when HFID is used. |
| 9 blower | b To atmosphere. |
| 10 main critical flow venturi | c To exhaust pump. |
| 11 pressure gauge | d To analysing system. |
| 12 calculator | e To PM; special sampling line when PM is used. |
| 13 integrator | |

Schematic diagram for the representative closed type CVS system with CFV

Figure A1/1b
An example of open-type system for sampling gases and measuring their volume.



Schematic diagram for the representative open type CVS system with CFV

- 3.4.3.2. A connecting tube shall be placed between the device and the exhaust gas sampling system. This tube and the device shall be made of stainless steel, or of some other material which does not affect the composition of the gases collected and which withstands the temperature of these gases.
- 3.4.3.3. Positive displacement pump (PDP)
- 3.4.3.3.1. A positive displacement pump (PDP) full flow exhaust dilution system satisfies the requirements of this Annex by metering the flow of gas through the pump at constant temperature and pressure. The total volume is measured by counting the revolutions made by the calibrated positive displacement pump. The proportional sample is achieved by sampling with pump, flow meter and flow control valve at a constant flow rate.
- 3.4.3.3.2. A heat exchanger capable of limiting the temperature variation of the diluted gases in the pump intake to ± 5 °C shall be in operation throughout the test. This exchanger shall be equipped with a preheating system capable of bringing the exchanger to its operating temperature (with the tolerance of ± 5 °C before the test begins).
- 3.4.3.3.3. A positive displacement pump shall be used to draw in the diluted exhaust mixture. This pump shall be equipped with a motor with several strictly controlled uniform rotation speeds. The pump capacity shall be large enough to ensure the intake of the exhaust gases. A device using a critical-flow venturi (CFV) may also be used.

- 3.4.3.3.4. A device (T) shall be used for the continuous recording of the temperature of the diluted exhaust mixture entering the pump.
- 3.4.3.3.5. Two gauges shall be used, the first to ensure the pressure depression of the dilute exhaust mixture entering the pump relative to atmospheric pressure, and the second to measure the dynamic pressure variation of the positive displacement pump.
- 3.4.3.4. Critical flow venturi (CFV)
 - 3.4.3.4.1. The use of a CFV for the full flow exhaust dilution system is based on the principles of flow mechanics for critical flow. The variable mixture flow rate of dilution and exhaust gas is maintained at sonic velocity that is inversely proportional to the square root of the gas temperature and directly proportional to gas pressure. Flow is continually monitored, computed and integrated throughout the test.
 - 3.4.3.4.2. The use of an additional critical flow sampling venturi ensures the proportionality of the gas samples taken from the dilution tunnel. As both pressure and temperature are equal at the two venturi inlets, the volume of the gas flow diverted for sampling is proportional to the total volume of diluted exhaust gas mixture produced.
 - 3.4.3.4.3. A CFV shall measure the flow volume of the diluted exhaust gas.
- 3.4.3.5. A probe shall be located near to, but outside, the gas-collecting device, to collect samples of the dilution air stream through a pump, a filter and a flow meter at constant flow rates throughout the test.
- 3.4.3.6. A sample probe pointed upstream into the dilute exhaust mixture flow, upstream of the positive displacement pump, shall be used to collect samples of the dilute exhaust mixture through a pump, a filter and a flow meter at constant flow rates throughout the test. The minimum sample flow rate in the sampling devices described in paragraph 3.4.3.5. shall be at least 150 litre/hour.
- 3.4.3.7. Three-way valves shall be used on the sampling system described in paragraphs 3.4.3.5. and 3.4.3.6. to direct the samples either to their respective bags or to the outside throughout the test.
- 3.4.3.8. Gas-tight collection bags
 - 3.4.3.8.1. For dilution air and dilute exhaust mixture the collection bags shall be of sufficient capacity not to impede normal sample flow and shall not change the nature of the pollutants concerned.
 - 3.4.3.8.2. The bags shall have an automatic self-locking device and shall be easily and tightly fastened either to the sampling system or the analysing system at the end of the test.
- 3.4.3.9. A revolution counter shall be used to count the revolutions of the positive displacement pump throughout the test.

Note 2: Attention shall be paid to the connecting method and the material or configuration of the connecting parts, because each section (e.g. the adapter and the coupler) of the sampling system can become very hot. If the measurement cannot be performed normally due to heat damage to the sampling system, an auxiliary cooling device may be used as long as the exhaust gases are not affected.

Note 3: With open type devices, there is a risk of incomplete gas collection and gas leakage into the test cell. There shall be no leakage throughout the sampling period.

Note 4: If a constant volume sampler (CVS) flow rate is used throughout the test cycle that includes low and high vehicle speeds all in one (i.e. part 1, 2 and 3 cycles), special attention shall be paid to the higher risk of water condensation in the high vehicle speed range.

- 3.4.3.10. Particulate mass emissions measurement equipment
- 3.4.3.10.1. Specification
 - 3.4.3.10.1.1. System overview
 - 3.4.3.10.1.1.1. The particulate sampling unit shall consist of a sampling probe (PSP) located in the dilution tunnel, a particle transfer tube (PTT), a filter holder(s) (FH), pump(s), flow rate regulators and measuring units. See Figure A1/2 and Figure A1/3.
 - 3.4.3.10.1.1.2. A particle size pre-classifier (PCF) (e.g. cyclone or impactor) may be used. In such case, it is recommended that it is employed upstream of the filter holder. However, a sampling probe, acting as an appropriate size classification device such as that shown in Figure A1/4, is acceptable.
 - 3.4.3.10.1.2. General Requirements
 - 3.4.3.10.1.2.1. The sampling probe for the test gas flow for particulates shall be so arranged within the dilution tunnel that a representative sample gas flow can be taken from the homogeneous air/exhaust mixture and shall be upstream of a heat exchanger (if any).
 - 3.4.3.10.1.2.2. The particulate sample flow rate shall be proportional to the total mass flow of diluted exhaust gas in the dilution tunnel to within a tolerance of ± 5 per cent of the particulate sample flow rate. The verification of the proportionality of the PM sampling should be made during the commissioning of the system and as required by the responsible authority.
 - 3.4.3.10.1.2.3. The sampled dilute exhaust gas shall be maintained at a temperature above 20°C (293.15K) and below 52°C (325.15K) within 20cm upstream or downstream of the particulate filter face. Heating or insulation of components of the PM sampling system to achieve this is permissible. In the event that the 52°C limit is exceeded during a test where periodic regeneration event does not occur, the CVS flow rate should be increased or double dilution should be applied (assuming that the CVS flow rate is already sufficient so as not to cause condensation within the CVS, sample bags or analytical system).
 - 3.4.3.10.1.2.4. The particulate sample shall be collected on a single filter per cycle part applicable according to vehicle class. Weighting factor for PM to be same as applied for all gaseous pollutants. All parts of the dilution system and the sampling system from the exhaust pipe up to the filter holder, which are in contact with raw and diluted exhaust gas, shall be designed to minimise deposition or alteration of the particulates. All parts shall be made of electrically conductive materials that do not react with exhaust gas components, and shall be electrically grounded to prevent electrostatic effects.
 - 3.4.3.10.1.2.5. If it is not possible to compensate for variations in the flow rate, provision shall be made for a heat exchanger and a temperature control device as specified in Appendix 7 to Annex 4- so as to ensure that the flow rate in the system is constant and the sampling rate accordingly proportional.

- 3.4.3.10.1.2.6. Temperatures required for the PM mass measurement shall be measured with an accuracy of ± 1 °C and a response time (t_{10-t90}) of fifteen seconds or less.
- 3.4.3.10.1.2.7. The PM sample flow from the dilution tunnel shall be measured with an accuracy of ± 2.5 per cent of reading or ± 1.5 per cent full scale, whichever is the least. The above accuracy of the PM sample flow from the CVS tunnel is also applicable where double dilution is used. Consequently, the measurement and control of the secondary dilution air flow and diluted exhaust flow rates through the PM filter must be of a higher accuracy. All data channels required for the PM mass measurement shall be logged at a frequency of 1 Hz or faster. Typically, these would include:
- (a) Diluted exhaust temperature at the PM filter;
 - (b) PM sampling flow rate;
 - (c) PM secondary dilution air flow rate (if secondary dilution is used);
 - (d) PM secondary dilution air temperature (if secondary dilution is used).
- 3.4.3.10.1.2.8. For double dilution systems, the accuracy of the diluted exhaust transferred from the dilution tunnel, in the equation is not measured directly but determined by differential flow measurement:
- $$V_{ep} = V_{set} - V_{ssd}$$
- where:
- V_{ep} : is the volume of diluted exhaust gas flowing through particulate filter under standard conditions;
- V_{set} : is the volume of the double diluted exhaust gas passing through the particulate collection filters;
- V_{ssd} : is the volume of secondary dilution air.
- 3.4.3.10.1.2.9. The accuracy of the flow meters used for the measurement and control of the double diluted exhaust passing through the particulate collection filters and for the measurement/control of secondary dilution air shall be sufficient so that the differential volume shall meet the accuracy and proportional sampling requirements specified for single dilution. The requirement that no condensation of the exhaust gas should occur in the CVS dilution tunnel, diluted exhaust flow rate measurement system, CVS bag collection or analysis systems shall also apply in the case of double dilution systems.
- 3.4.3.10.1.2.10. Each flow meter used in a particulate sampling and double dilution system shall be subjected to a linearity verification as required by the instrument manufacturer.

Figure A1/2
Particulate Sampling Filter

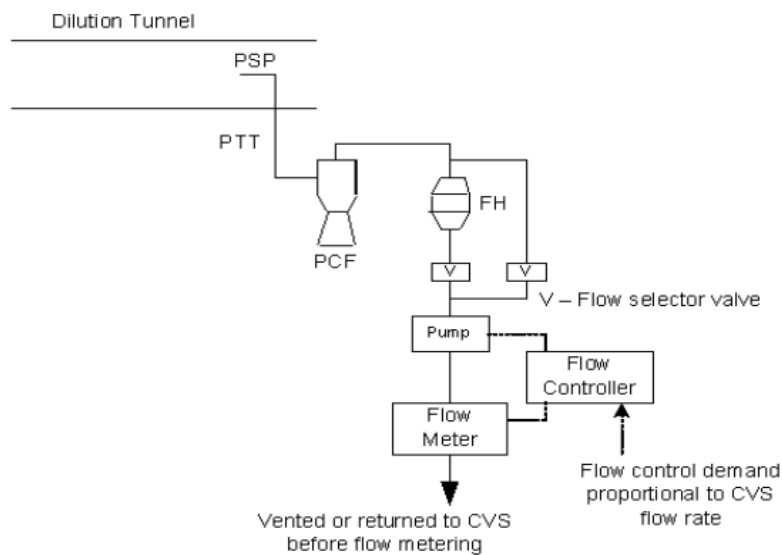
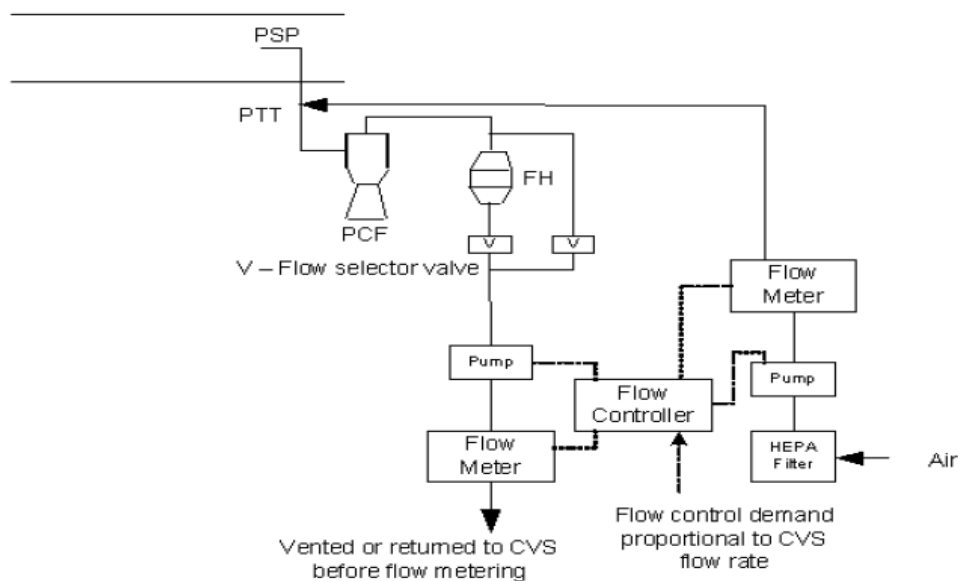
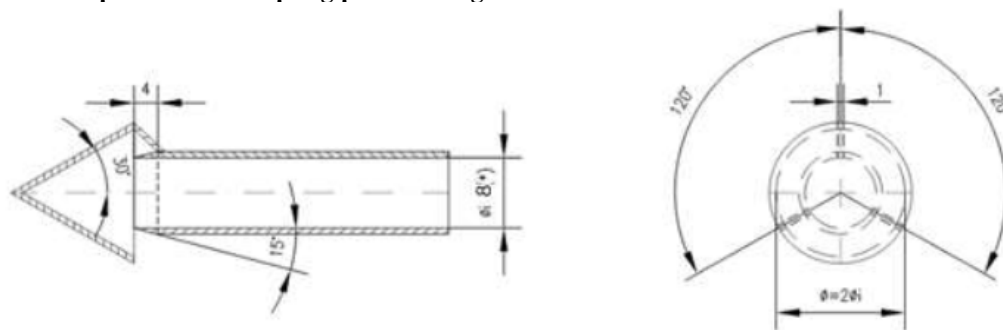


Figure A1/3
Double Dilution Particulate Sampling System



- 3.4.3.10.1.3. Specific requirements
- 3.4.3.10.1.3.1. Particulate Matter (PM) sampling probe
- 3.4.3.10.1.3.1.1. The sample probe shall deliver the particle-size classification performance described in paragraph 3.4.3.10.1.3.1.2. below. It is recommended that this performance be achieved by the use of a sharp-edged, open-ended probe facing directly into the direction of flow plus a pre-classifier (cyclone impactor, etc.). An appropriate sampling probe, such as that indicated in Figure B.2.-4, may alternatively be used provided it achieves the pre-classification performance described in paragraph 3.4.3.10.1.3.1.2. below.

Figure A1/-4
Alternate particulate sampling probe configuration



(*) Minimum internal diameter
 Wall thickness ~ 1 mm - Material: stainless steel

- 3.4.3.10.1.3.1.2. The sample probe shall be installed at least 10 tunnel diameters downstream of the exhaust gas inlet to the tunnel and have an internal diameter of at least 8 mm.

If more than one simultaneous sample is drawn from a single sample probe, the flow drawn from that probe shall be split into identical sub-flows to avoid sampling artefacts.

If multiple probes are used, each probe shall be sharp-edged, open-ended and facing directly into the direction of flow. Probes shall be equally spaced around the central longitudinal axis of the dilution tunnel, with the spacing between probes at least 5 cm.

- 3.4.3.10.1.3.1.3. The distance from the sampling tip to the filter mount shall be at least five probe diameters, but shall not exceed 2,000 mm.
- 3.4.3.10.1.3.1.4. The pre-classifier (e.g. cyclone, impactor, etc.) shall be located upstream of the filter holder assembly. The pre-classifier 50 per cent cut point particle diameter shall be between 2.5 μm and 10 μm at the volumetric flow rate selected for sampling particulate mass emissions. The pre-classifier shall allow at least 99 per cent of the mass concentration of 1 μm particles entering the pre-classifier to pass through the exit of the pre-classifier at the volumetric flow rate selected for sampling PM.

- 3.4.3.10.1.3.1.5. Particle transfer tube (PTT)

- 3.4.3.10.1.3.1.5.1. Any bends in the PTT shall be smooth and have the largest possible radii.

- 3.4.3.10.1.3.1.6. Secondary dilution

- 3.4.3.10.1.3.1.6.1. As an option, the sample extracted from the CVS for the purpose of PM measurement may be diluted at a second stage, subject to the following requirements:

- (a) Secondary dilution air shall be filtered through a medium capable of reducing particles in the most penetrating particle size of the filter material by ≥ 99.95 per cent, or through a HEPA filter of at least class H13 of EN 1822:2009. The dilution air may optionally be charcoal scrubbed before being passed to the HEPA filter. It is recommended that an additional coarse particle filter is situated before the HEPA filter and after the charcoal scrubber, if used.
- (b) The secondary dilution air should be injected into the PTT as close to the outlet of the diluted exhaust from the dilution tunnel as possible.

- (c) The residence time from the point of secondary diluted air injection to the filter face shall be at least 0.25 seconds (s), but no longer than five seconds.
- (d) If the double diluted PM sample is returned to the CVS, the location of the sample return shall be selected so that it does not interfere with the extraction of other samples from the CVS.

3.4.3.10.1.3.2. Sample pump and flow meter

3.4.3.10.1.3.2.1. The sample gas flow measurement unit shall consist of pumps, gas flow regulators and flow measuring units.

3.4.3.10.1.3.2.2. The temperature of the gas flow in the flow meter may not fluctuate by more than ± 3 K except

- (a) When the PM sampling flow meter has real time monitoring and flow control operating at 1 Hz or faster;
- (b) During regeneration tests on vehicles equipped with periodically regenerating after-treatment devices.

Should the volume of flow change unacceptably as a result of excessive filter loading, the test shall be invalidated. When it is repeated, the rate of flow shall be decreased.

3.4.3.10.1.3.3. Filter and filter holder

3.4.3.10.1.3.3.1. A valve shall be located downstream of the filter in the direction of flow. The valve shall open and close within 1 s of the start and end of test.

3.4.3.10.1.3.3.2. For a given test, the gas filter face velocity shall be set to a single value within the range 20 cm/s to 105 cm/s and should be set at the start of the test so that 105 cm/s will not be exceeded when the dilution system is being operated with sampling flow proportional to CVS flow rate.

3.4.3.10.1.3.3.3. Fluorocarbon coated glass fibre filters or fluorocarbon membrane filters are required.

All filter types shall have a 0.3 μ m DOP (di-octylphthalate) or PAO (polyalpha-olefin) CS 68649-12-7 or CS 68037-01-4 collection efficiency of at least 99 per cent at a gas filter face velocity of 5.33cm/s measured according to one of the following standards:

- (a) U.S.A. Department of Defense Test Method Standard, MIL-STD-282 method 102.8: DOP-Smoke Penetration of Aerosol-Filter Element
- (b) U.S.A. Department of Defense Test Method Standard, MIL-STD-282 method 502.1.1: DOP-Smoke Penetration of Gas-Mask Canisters
- (c) Institute of Environmental Sciences and Technology, IEST-RPCC021: Testing HEPA and ULPA Filter Media.

3.4.3.10.1.3.3.4. The filter holder assembly shall be of a design that provides an even flow distribution across the filter stain area. The filter shall be round and have a stain area of at least 1075 mm².

3.4.3.10.1.3.4. Weighing chamber (or room) and analytical balance specifications

3.4.3.10.1.3.4.1. Weighing chamber (or room) conditions

- (a) The temperature of the chamber (or room) in which the particulate filters are conditioned and weighed shall be maintained to within 22 °C \pm 2 °C, 22 °C \pm 1 °C if possible (295 .15K \pm 2 K, 295.15 K \pm 1K if possible) during all filter conditioning and weighing.

- (b) Humidity shall be maintained to a dew point of less than 10.5°C (283.65K) and a relative humidity of 45 per cent \pm 8 per cent.
- (c) Limited deviations from weighing temperature and humidity specifications will be allowed provided their total duration does not exceed 30 minutes in any one filter conditioning period.
- (d) The levels of ambient contaminants in the chamber (or room) environment that would settle on the particulate filters during their stabilization shall be minimised.
- (e) During the weighing operation, no deviations from the specified conditions are permitted.

3.4.3.10.1.3.4.1.1. Linear response of an analytical balance

The analytical balance used to determine the filter weight shall meet the linearity verification criterion of Table A1/3 below. This implies a precision (standard deviation) of at least 2 μg and a resolution of at least 1 μg . 1 digit = 1 μg . At least 4 equally-spaced reference weights shall be tested. The zero value shall be within $\pm 1\mu\text{g}$.

Table A1/3

Analytical balance verification criteria

<i>Measurement system</i>	<i>Intercept, b</i>	<i>Slope, m</i>	<i>Standard error SEE</i>	<i>Coefficient of determination, r²</i>
PM Balance	≤ 1 per cent max	0.99 – 1.01	≤ 1 per cent max	≥ 0.998

3.4.3.10.1.3.4.2. Buoyancy Correction

The sample and reference filter weights shall be corrected for their buoyancy in air. The buoyancy correction is a function of sampling filter density, air density and the density of the balance calibration weight, and does not account for the buoyancy of the PM itself.

If the density of the filter material is not known, the following densities shall be used:

- (a) PTFE coated glass fiber filter: 2,300 kg/m³;
- (b) PTFE membrane filter: 2,144 kg/m³;
- (c) PTFE membrane filter with polymethyl pentene support ring: 920 kg/m³.

For stainless steel calibration weights, a density of 8,000 kg/m³ shall be used. If the material of the calibration weight is different, its density must be known. International Recommendation OIML R 111-1 Edition 2004(E) from International Organization of Legal Metrology on calibration weights should be followed.

The following equation shall be used:

$$m_f = m_{\text{uncorr}} \times \left(\frac{1 - \frac{\rho_a}{\rho_w}}{1 - \frac{\rho_a}{\rho_f}} \right)$$

where:

m_f is the corrected particulate sample mass, mg;

m_{uncorr} is the uncorrected particulate sample mass, mg;

ρ_a is the density of the air, kg/m³;

ρ_w is the density of balance calibration weight, kg/m³;

ρ_f is the density of the particulate sampling filter, kg/m³.

The density of the air ρ_a shall be calculated as follows:

$$\rho_a = \frac{p_b \times 28.836}{8.3144 \times T_a}$$

p_b is the total atmospheric pressure, kPa;

T_a is the air temperature in the balance environment, Kelvin (K).

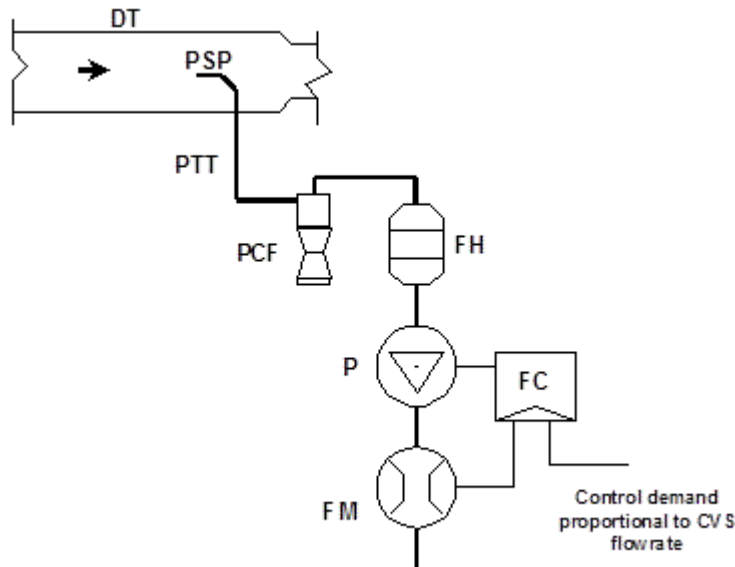
The chamber (or room) environment shall be free of any ambient contaminants (such as dust) that would settle on the particulate filters during their stabilisation.

Limited deviations from weighing room temperature and humidity specifications shall be allowed provided their total duration does not exceed 30 minutes in any one filter conditioning period. The weighing room shall meet the required specifications prior to personal entrance into the weighing room. No deviations from the specified conditions are permitted during the weighing operation.

- 3.4.3.10.1.3.4.3. The effects of static electricity shall be nullified. This may be achieved by grounding the balance through placement on an antistatic mat and neutralisation of the particulate filters prior to weighing using a Polonium neutraliser or a device of similar effect. Alternatively, nullification of static effects may be achieved through equalisation of the static charge.
- 3.4.3.10.1.3.4.4. A test filter shall be removed from the chamber no earlier than an hour before the test begins.
- 3.4.3.10.1.4. Recommended system description

Figure A1/5 is a schematic drawing of the recommended particulate sampling system. Since various configurations can produce equivalent results, exact conformity with this figure is not required. Additional components such as instruments, valves, solenoids, pumps and switches may be used to provide additional information and coordinate the functions of component systems. Further components that are not needed to maintain accuracy with other system configurations may be excluded if their exclusion is based on good engineering judgment.

Figure ~~B.2-A1/5~~
Particulate sampling system



A sample of the diluted exhaust gas is taken from the full flow dilution tunnel (DT) through the particulate sampling probe (PSP) and the particulate transfer tube (PTT) by means of the pump (P). The sample is passed through the particle size pre-classifier (PCF) and the filter holders (FH) that contain the particulate sampling filters. The flow rate for sampling is set by the flow controller (FC).

3.4.4. Driving schedules

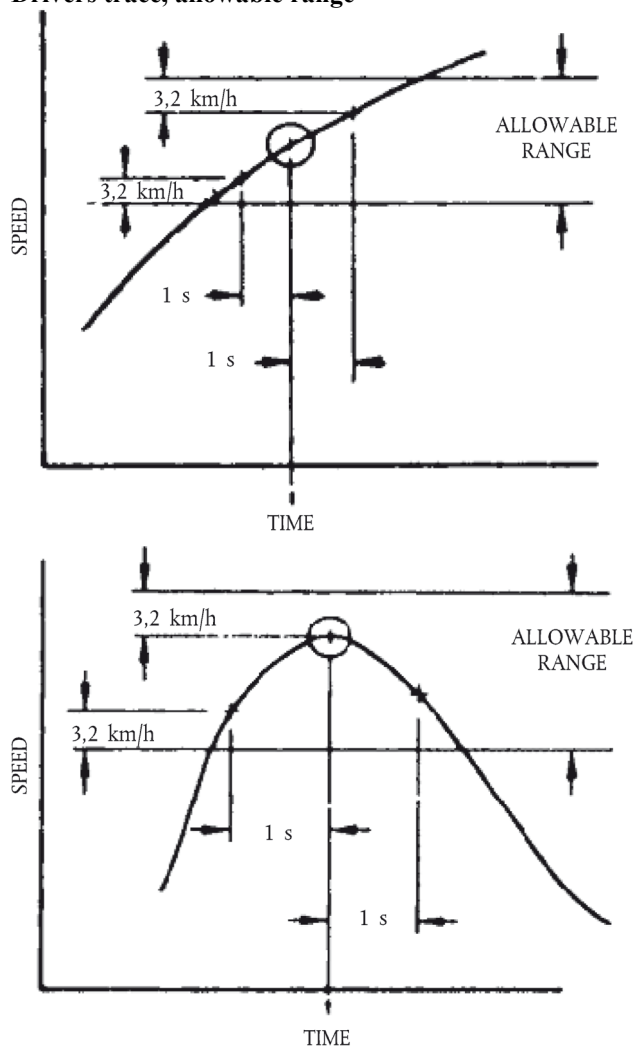
3.4.4.1. Test cycle WMTC

The WMTC test cycles (vehicle speed patterns vs. test time) for the type I test consist of up to three parts, as laid down in Appendix 12 to Annex 4. The applicable part of WMTC for each sub category shall be as per [paragraph 3.2.](#) of this section.

3.4.4.2. Vehicle speed tolerances

3.4.4.2.1. The vehicle speed tolerance at any given time on the test cycles prescribed in Table A4.App12 is defined by upper and lower limits. The upper limit is 3.2 km/h higher than the highest point on the trace within one second of the given time. The lower limit is 3.2 km/h lower than the lowest point on the trace within one second of the given time. Vehicle speed variations greater than the tolerances (such as may occur during gear changes) are acceptable provided they occur for less than two seconds on any occasion. Vehicle speeds lower than those prescribed are acceptable provided the vehicle is operated at maximum available power during such occurrences. Figure A1/-6 shows the range of acceptable vehicle speed tolerances for typical points.

Figure A1/-6:
Drivers trace, allowable range



- 3.4.4.2.2. If the acceleration capability of the vehicle is not sufficient to carry out the acceleration phases or if the maximum design speed of the vehicle is lower than the prescribed cruising vehicle speed within the prescribed limits of tolerances, the vehicle shall be driven with the throttle fully open until the desired vehicle speed is reached or at the maximum design vehicle speed achievable with fully opened throttle during the time that desired vehicle speed exceeds the maximum design vehicle speed. In both cases, paragraph 3.4.4.2.1. is not applicable. The test cycle shall be carried on normally when desired vehicle speed is again lower than the maximum design speed of the vehicle.
- 3.4.4.2.3. If the period of deceleration is shorter than that prescribed for the corresponding phase, due to the vehicle characteristics, desired vehicle speed shall be restored by a constant vehicle speed or idling period merging into succeeding constant vehicle speed or idling operation. In such cases, paragraph 3.4.4.2.1. is not applicable.
- 3.4.4.2.4. Apart from these exceptions, the deviations of the roller speed (from which the actual vehicle speed is calculated) in comparison to the desired vehicle speed of the cycles shall meet the requirements described in paragraph

3.4.4.2.1. If not, the test results shall not be used for further analysis and the test run shall be repeated.

- 3.4.5. Gearshift prescriptions for the WMTC prescribed for the test cycles set out in Appendix 13 to Annex 4.
 - 3.4.5.1. Test vehicles equipped with an automatic transmission
 - 3.4.5.1.1. Vehicles equipped with transfer cases, multiple sprockets, etc., shall be tested in the configuration recommended by the manufacturer for street or highway use.
 - 3.4.5.1.2. Idle modes shall be run with automatic transmissions in "Drive" and the wheels braked. After initial engagement, the selector shall not be operated at any time during the test.
 - 3.4.5.1.3. Automatic transmissions shall shift automatically through the normal sequence of gears. The torque converter clutch, if applicable, shall operate as under real-world conditions.
 - 3.4.5.1.4. The deceleration modes shall be run in gear using brakes or throttle as necessary to maintain the desired vehicle speed.
 - 3.4.5.2. Test vehicles equipped with a semi-automatic transmission
 - 3.4.5.2.1. Vehicles equipped with semi-automatic transmissions shall be tested using the gears normally employed for driving, and the gear shift used in accordance with the instructions in the owner's manual.
 - 3.4.5.2.2. Idle modes shall be run with semi-automatic transmissions in "Drive" and the wheels braked. After initial engagement, the selector shall not be operated at any time during the test.
 - 3.4.5.3. Test vehicles equipped with manual transmission
 - 3.4.5.3.1. Mandatory requirements
 - 3.4.5.3.1.1. Step 1 — Calculation of desired vehicle speeds to shift gear

Upshift desired vehicle speeds ($v_{1 \rightarrow 2}$ and $v_{i \rightarrow i+1}$) in km/h during acceleration phases shall be calculated using the following formulae:

$$v_{1 \rightarrow 2} = \left[(0.5753 \times e^{(-1.9 \times \frac{P_n}{m_{ref}})} - 0.1) \times (s - n_{idle}) + n_{idle} \right] \times \frac{1}{ndv_1} \quad (1)$$

$$v_{i \rightarrow i+1} = \left[(0.5753 \times e^{(-1.9 \times \frac{P_n}{m_{ref}})} - 0.1) \times (s - n_{idle}) + n_{idle} \right] \times \frac{1}{ndv_i} \quad (2)$$

$i = 2$ to $ng - 1$

where:

- "i" is the gear number (≥ 2)
- "ng" is the total number of forward gears
- "P_n" is the rated power in kW

" m_{ref} " is the reference mass in kg

" n_{idle} " is the idling engine speed in min^{-1}

" s " is the rated engine speed in min^{-1}

" ndv_i " is the ratio between engine speed in min^{-1} and vehicle speed in km/h in gear " i ".

Downshift desired vehicle speeds ($v_{i \rightarrow i-1}$) in km/h during cruise or deceleration phases in gears 4 (4th gear) to n_g shall be calculated using the following formula:

$$v_{i \rightarrow i-1} = \left[\left(0.5753 \times e^{\left(-1.9 \times \frac{P_n}{m_{ref}} \right)} \right) \times (s - n_{idle}) + n_{idle} \right] \times \frac{1}{ndv_{i-2}} \quad (3)$$

$i = 4$ to n_g

where:

i is the gear number (≥ 4)

n_g is the total number of forward gears

P_n is the rated power in kW

m_{ref} is the reference mass in kg

n_{idle} is the idling engine speed in min^{-1}

s is the rated engine speed in min^{-1}

ndv_{i-2} is the ratio between engine speed in min^{-1} and vehicle speed in km/h in gear $i-2$

The downshift desired vehicle speed from gear 3 to gear 2 ($v_{3 \rightarrow 2}$) shall be calculated using the following equation:

$$v_{3 \rightarrow 2} = \left[\left(0.5753 \times e^{\left(-1.9 \times \frac{P_n}{m_{ref}} \right)} - 0.1 \right) \times (s - n_{idle}) + n_{idle} \right] \times \frac{1}{ndv_1} \quad (4)$$

where:

P_n is the rated power in kW

m_{ref} is the reference mass in kg

n_{idle} is the idling engine speed in min^{-1}

s is the rated engine speed in min^{-1}

ndv_1 is the ratio between engine speed in min^{-1} and vehicle speed in km/h in gear 1.

The downshift desired vehicle speed from gear 2 to gear 1 ($v_{2 \rightarrow 1}$) shall be calculated using the following equation:

$$v_{2 \rightarrow 1} = \left[0.03 \times (s - n_{idle}) + n_{idle} \right] \times \frac{1}{ndv_2} \quad (5)$$

where:

ndv_2 is the ratio between engine speed in min-1 and vehicle speed in km/h in gear 2.

Since the cruise phases are defined by the phase indicator, slight vehicle speed increases could occur and it may be appropriate to apply an upshift. The upshift desired vehicle speeds ($v_{1 \rightarrow 2}$, $v_{2 \rightarrow 3}$ and $v_{i \rightarrow i+1}$) in km/h during cruise phases shall be calculated using the following equations:

$$v_{1 \rightarrow 2} = \left[0.03 \times (s - n_{idle}) + n_{idle} \right] \times \frac{1}{ndv_2} \quad (6)$$

$$v_{2 \rightarrow 3} = \left[\left(0.5753 \times e^{\left(\frac{-1.9 \times P_n}{m_{ref}} \right)} - 0.1 \right) \times (s - n_{idle}) + n_{idle} \right] \times \frac{1}{ndv_1} \quad (7)$$

$$v_{i \rightarrow i+1} = \left[\left(0.5753 \times e^{\left(\frac{-1.9 \times P_n}{m_{ref}} \right)} \right) \times (s - n_{idle}) + n_{idle} \right] \times \frac{1}{ndv_{i-1}}, i = 3 \text{ to } ng \quad (8)$$

3.4.5.3.1.2. Step 2 — Gear choice for each cycle sample

In order to avoid different interpretations of acceleration, deceleration, cruise and stop phases, corresponding indicators are added to the vehicle speed pattern as integral parts of the cycles (see tables in Appendix 12 to Annex 4.).

The appropriate gear for each sample shall then be calculated according to the vehicle speed ranges resulting from equations to determine the desired vehicle speeds to shift gears of paragraph 3.4.5.3.1.1. and the phase indicators for the cycle parts appropriate for the test vehicle, as follows:

Gear choice for stop phases:

For the last five seconds of a stop phase, the gear lever shall be set to gear 1 and the clutch shall be disengaged. For the previous part of a stop phase, the gear lever shall be set to neutral or the clutch shall be disengaged.

Gear choice for acceleration phases:

gear 1, if $v \leq v_{1 \rightarrow 2}$

gear 2, if $v_{1 \rightarrow 2} < v \leq v_{2 \rightarrow 3}$

gear 3, if $v_{2 \rightarrow 3} < v \leq v_{3 \rightarrow 4}$

gear 4, if $v_{3 \rightarrow 4} < v \leq v_{4 \rightarrow 5}$

gear 5, if $v_{4 \rightarrow 5} < v \leq v_{5 \rightarrow 6}$

gear 6, if $v > v_{5 \rightarrow 6}$

Gear choice for deceleration or cruise phases:

gear 1, if $v < v_{2 \rightarrow 1}$

gear 2, if $v < v_{3 \rightarrow 2}$

gear 3, if $v_{3 \rightarrow 2} \leq v < v_{4 \rightarrow 3}$

gear 4, if $v_{4 \rightarrow 3} \leq v < v_{5 \rightarrow 4}$

gear 5, if $v_{5 \rightarrow 4} \leq v < v_{6 \rightarrow 5}$

gear 6, if $v \geq v_{4 \rightarrow 5}$

The clutch shall be disengaged, if:

- (a) the vehicle speed drops below 10 km/h, or
- (b) the engine speed drops below $n_{idle} + 0.03 \times (s - n_{idle})$;
- (c) there is a risk of engine stalling during cold-start phase.

3.4.5.3.1.3. Step 3 — Corrections according to additional requirements

3.4.5.3.1.3.1. The gear choice shall be modified according to the following requirements:

- (a) no gearshift at a transition from an acceleration phase to a deceleration phase. The gear that was used for the last second of the acceleration phase shall be kept for the following deceleration phase unless the vehicle speed drops below a downshift desired vehicle speed;
- (b) no upshifts or downshifts by more than one gear, except from gear 2 to neutral during decelerations down to stop;
- (c) upshifts or downshifts for up to four seconds are replaced by the gear before, if the gears before and after are identical, e.g. 2 3 3 3 2 shall be replaced by 2 2 2 2 2, and 4 3 3 3 3 4 shall be replaced by 4 4 4 4 4 4.

In the cases of consecutive circumstances, the gear used longer takes over, e.g. 2 2 2 3 3 3 2 2 2 2 3 3 3 will be replaced by 2 2 2 2 2 2 2 2 2 2 3 3 3

If used for the same time, a series of succeeding gears shall take precedence over a series of preceding gears, e.g. 2 2 2 3 3 3 2 2 2 3 3 3 will be replaced by 2 2 2 2 2 2 2 2 2 3 3 3;

- (d) no downshift during an acceleration phase.

3.4.5.3.2. Optional provisions

The gear choice may be modified according to the following provisions:

The use of gears lower than those determined by the requirements described in paragraph 3.4.5.2.1. is permitted in any cycle phase. Manufacturers' recommendations for gear use shall be followed if they do not result in gears higher than determined by the requirements of paragraph 3.4.5.2.1.

3.4.5.3.3. Optional provisions

Note 5: The calculation programme to be found on the UN website at the following URL may be used as an aid for the gear selection:

<http://live.unece.org/trans/main/wp29/wp29wgs/wp29grpe/wmtc.html>

Explanations of the approach and the gearshift strategy and a calculation example are given in Appendix 13 to Annex 4.

3.4.5.3.4. Idle modes shall be run with manual transmissions with wheels braked.

3.4.6. Dynamometer settings

A full description of the chassis dynamometer and instruments shall be provided in accordance with Appendix 6 to Annex 4. Measurements shall be taken to the accuracies specified in paragraph 3.4.7. The running resistance force for the chassis dynamometer settings can be derived either from on-road coast-down measurements or from a running resistance table, with reference to Appendix 4 or Appendix 5 to Annex 4, for a vehicle equipped with one wheel on the powered axle.

3.4.6.1. Chassis dynamometer setting derived from on-road coast-down measurements

To use this alternative, on-road coast-down measurements shall be carried out as specified in Appendix 5 to Annex 4, for a vehicle equipped with one wheel on the powered axle.

3.4.6.1.1. Requirements for the equipment

The instrumentation for the roller speed (actual vehicle speed), desired vehicle speed and time measurement shall have the accuracies specified in paragraph 3.4.7.

3.4.6.1.2. Inertia mass setting

3.4.6.1.2.1. The equivalent inertia mass m_i for the chassis dynamometer shall be the flywheel equivalent inertia mass, m_{fi} , closest to the sum of the unladen mass (m_k) of the vehicle and the mass of the driver (75 kg). Alternatively, the equivalent inertia mass m_i can be derived from Appendix 4 to Annex 4.

3.4.6.1.2.2. If the reference mass m_{ref} cannot be equalised to the flywheel equivalent inertia mass m_{fi} , to make the target running resistance force F^* equal to the running resistance force F_E (which is to be set to the chassis dynamometer), the corrected coast-down time ΔT_E may be adjusted in accordance with the total mass ratio of the target coast-down time ΔT_{road} in the following sequence:

$$\Delta T_{road} = \frac{1}{3.6} (m_a + m_{r1}) \frac{2\Delta v}{F^*} \quad (9)$$

$$\Delta T_E = \frac{1}{3.6} (m_i + m_{r1}) \frac{2\Delta v}{F_E} \quad (10)$$

$$F_E = F^* \quad (11)$$

$$\Delta T_E = \Delta T_{road} \times \frac{m_i + m_{r1}}{m_a + m_{r1}} \quad (12)$$

with

$$0.95 < \frac{m_i + m_{r1}}{m_a + m_{r1}} < 1.05$$

where:

m_{r1} may be measured or calculated, in kilograms, as appropriate. As an alternative, m_{r1} may be estimated as 4 percent of m .

For measurement accuracy, see Table A1/4

3.4.6.2. Running resistance force derived from a running resistance table or on road coast down

- 3.4.6.2.1. The chassis dynamometer may be set by the use of the running resistance table instead of the running resistance force obtained by the coast-down method. In this table method, the chassis dynamometer shall be set by the reference mass (m_{ref}) regardless of particular vehicle characteristics.

Note 6: Care shall be taken when applying this method to vehicles with extraordinary characteristics.

- 3.4.6.2.2. The flywheel equivalent inertia mass m_f shall be the equivalent inertia mass m_i specified in, Appendix 4, or Appendix 5 to Annex 4, where applicable. The chassis dynamometer shall be set by the rolling resistance of the non-driven wheels (a) and the aero drag coefficient (b) specified in Appendix 4 to Annex 4, or determined in accordance with the procedures set out in Appendix 5 to Annex 4.

- 3.4.6.2.3. The running resistance force on the chassis dynamometer F_E shall be determined using the following equation:

$$F_E = F_T = a + b \cdot v^2 \quad (13)$$

- 3.4.6.2.4. The target running resistance force F^* shall be equal to the running resistance force obtained from the running resistance table F_T , because the correction for the standard ambient conditions is not necessary.

- 3.4.7. Measurement accuracies

Measurements shall be taken using equipment that fulfils the accuracy requirements in Table A1/4.

Table A1/4

Required accuracy of measurements

<i>Measurement items</i>	<i>At measured values</i>	<i>Resolution</i>
a) Running resistance force, F	+ 2 percent	--
b) Vehicle speed (v_1, v_2)	± 1 percent	0.2 km/h
c) Coast-down vehicle speed interval ($2\Delta v=v_1-v_2$)	± 1 percent	0.1 km/h
d) Coast-down time (Δt)	± 0.5 percent	0.01 s
e) Total vehicle mass (m_{ref})	± 0.5 percent	1.0 kg
f) Wind speed	± 10 percent	0.1 m/s
g) Wind direction	--	5 deg
h) Temperature	± 1 °C	
i) Barometric pressure	--	0.2 kPa
j) Distance	± 0.1 percent	1 m
k) Time	± 0.1 s	0.1 s

4. Test procedures

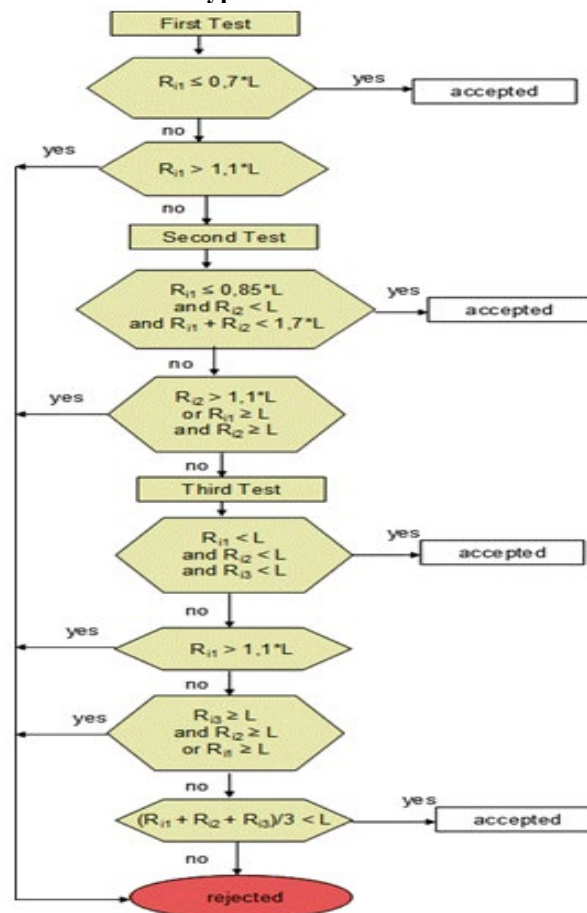
- 4.1. Description of the type I test

The test vehicle shall be subjected, according to its category, to test type I requirements as specified in this paragraph 4, and comply with the requirements set out in Appendix 3 to Annex 4.

- 4.1.1. Type I test (verifying the average emission of gaseous pollutants, PM for gasoline direct injection and diesel vehicle, CO₂ emissions and fuel consumption in a characteristic driving cycle)
- 4.1.1.1. The test shall be carried out by the method described in paragraph 4.2. The gases shall be collected and analysed by the prescribed methods.
- 4.1.1.2. Number of tests
- 4.1.1.2.1. The number of tests shall be determined as shown in Figure A1/7. R₁₁ to R₁₃ describe the final measurement results for the first (No 1) test to the third (No 3) test and the gaseous pollutant and PM. For carbon dioxide emission and fuel consumption refer Annex 3. for number of tests.
- 4.1.1.2.2. In each test, the masses of the carbon monoxide, hydrocarbons, nitrogen oxides, carbon dioxide and the fuel consumed during the test shall be determined. The mass of particulate matter shall be determined only for vehicles equipped with a CI or a direct injection PI combustion engine.

Figure A1/7

Flowchart for the number of type I tests



Exhaust emissions may be sampled during preparation tests for type I testing or during verification tests for test types IV, VII or VIII but the results of these tests shall not be used for the purpose of exhaust emission approval / certification to satisfy the requirements set out in paragraph 4.1.1.2.2.

- 4.2. Type I test

- 4.2.1. Introduction
- 4.2.1.1. The type I test consists of prescribed sequences of dynamometer preparation, fuelling, parking, and operating conditions.
- 4.2.1.2. The test is designed to determine hydrocarbon, carbon monoxide, oxides of nitrogen, carbon dioxide, particulate matter mass emissions if applicable and fuel consumption while simulating real-world operation. The test consists of engine start-ups and vehicle operation on a chassis dynamometer, through a specified driving cycle. A proportional part of the diluted exhaust emissions is collected continuously for subsequent analysis, using a CVS.
- 4.2.1.3. Except in cases of component malfunction or failure, all emission-control systems installed on or incorporated in a tested vehicle shall be functioning during all procedures.
- 4.2.1.4. Background concentrations are measured for all emission constituents for which emissions measurements are taken. For exhaust testing, this requires sampling and analysis of the dilution air.
- 4.2.1.5. Background particulate mass measurement
- The particulate background level of the dilution air may be determined by passing filtered dilution air through the particulate filter. This shall be drawn from the same point as the particulate matter sample, if a particulate mass measurement is applicable according to paragraph 4.1.1.2.2. One measurement may be performed prior to or after the test. Particulate mass measurements may be corrected by subtracting the background contribution from the dilution system. The permissible background contribution shall be ≤ 1 mg/km (or equivalent mass on the filter). If the background contribution exceeds this level, the default figure of 1 mg/km (or equivalent mass on the filter) shall be used. Where subtraction of the background contribution gives a negative result, the particulate mass result shall be considered to be zero.
- 4.2.2. Dynamometer settings and verification
- 4.2.2.1. Test vehicle preparation
- The test vehicle shall comply with the requirements set out in Annex 4.
- 4.2.2.1.1. The manufacturer shall provide additional fittings and adapters, as required to accommodate a fuel drain at the lowest point possible in the tanks as installed on the vehicle, and to provide for exhaust sample collection.
- 4.2.2.1.2. The tyre pressures shall be adjusted to the manufacturer's specifications to the satisfaction of the technical service or so that the speed of the vehicle during the road test and the vehicle speed obtained on the chassis dynamometer are equal.
- 4.2.2.1.3. The test vehicle shall be warmed up on the chassis dynamometer to the same condition as it was during the road test.
- 4.2.2.2. Chassis dynamometer preparation, if settings are derived from on-road coast-down measurements:
- Before the test, the chassis dynamometer shall be appropriately warmed up to the stabilised frictional force F_f . The load on the chassis dynamometer F_E is, in view of its construction, composed of the total friction loss F_f , which is the sum of the chassis dynamometer rotating frictional resistance, the tyre rolling resistance, the frictional resistance of the rotating parts in the powertrain of the vehicle and the braking force of the power absorbing unit (pau) F_{pau} , as in the following equation:

$$F_E = F_f + F_{pau} \quad (14)$$

The target running resistance force F^* derived from Appendix 4 to Annex 4 and; for a vehicle equipped with one wheel on the powered axle Appendix 5 to Annex 4 or for a vehicle with two or more wheels on the powered axles Appendix 6 to Annex 4, shall be reproduced on the chassis dynamometer in accordance with the vehicle speed, i.e.:

$$F_E(v_i) = F^*(v_i) \quad (15)$$

The total friction loss F_f on the chassis dynamometer shall be measured by the method in paragraph 4.2.2.2.1. or 4.2.2.2.2.

4.2.2.2.1. Motoring by chassis dynamometer

This method applies only to chassis dynamometers capable of driving a vehicle. The test vehicle shall be driven steadily by the chassis dynamometer at the reference vehicle speed v_0 with the drive train engaged and the clutch disengaged. The total friction loss $F_f(v_0)$ at the reference vehicle speed v_0 is given by the chassis dynamometer force.

4.2.2.2.2. Coast-down without absorption

The method for measuring the coast-down time is the coast-down method for the measurement of the total friction loss F_f . The vehicle coast-down shall be performed on the chassis dynamometer by the procedure described in Appendix 4 and Appendix 5 to Annexes 4 for a vehicle equipped with one wheel on the powered axle and with zero chassis dynamometer absorption. The coast-down time Δt_i corresponding to the reference vehicle speed v_0 shall be measured. The measurement shall be carried out at least three times, and the mean coast-down time shall be calculated using the following equation:

$$\overline{\Delta t} = \frac{1}{n} \sum_{i=1}^n \Delta t_i \quad (16)$$

4.2.2.2.3. Total friction loss

The total friction loss $F_f(v_0)$ at the reference vehicle speed v_0 is calculated using the following equation:

$$F_f(v_0) = \frac{1}{3.6} (m_i + m_{r1}) \frac{2\Delta v}{\Delta t} \quad (17)$$

4.2.2.2.4. Calculation of power-absorption unit force

The force $F_{pau}(v_0)$ to be absorbed by the chassis dynamometer at the reference vehicle speed v_0 is calculated by subtracting $F_f(v_0)$ from the target running resistance force $F^*(v_0)$ as shown in the following equation:

$$F_{pau}(v_0) = F^*(v_0) - F_f(v_0) \quad (18)$$

4.2.2.2.5. Chassis dynamometer setting

Depending on its type, the chassis dynamometer shall be set by one of the methods described in paragraphs 4.2.2.2.5.1. to 4.2.2.2.5.4. The chosen setting shall be applied to the pollutant and CO₂ emission measurements as well as fuel consumption laid down in Appendix 1 to Annex 3.

4.2.2.2.5.1. Chassis dynamometer with polygonal function

In the case of a chassis dynamometer with polygonal function, in which the absorption characteristics are determined by load values at several specified vehicle speed points, at least three specified vehicle speeds, including the reference vehicle speed, shall be chosen as the setting points. At each setting point, the chassis dynamometer shall be set to the value $F_{pau}(v_j)$ obtained in paragraph 4.2.2.2.4.

4.2.2.2.5.2. Chassis dynamometer with coefficient control

In the case of a chassis dynamometer with coefficient control, in which the absorption characteristics are determined by given coefficients of a polynomial function, the value of $F_{pau}(v_j)$ at each specified vehicle speed shall be calculated by the procedure in paragraph 4.2.2.2.

Assuming the load characteristics to be:

$$F_{pau}(v) = a \cdot v^2 + b \cdot v + c \quad (19)$$

where:

the coefficients a, b and c shall be determined by the polynomial regression method.

The chassis dynamometer shall be set to the coefficients a, b and c obtained by the polynomial regression method.

4.2.2.2.5.3. Chassis dynamometer with F* polygonal digital setter

In the case of a chassis dynamometer with a polygonal digital setter, where a central processor unit is incorporated in the system, F^* is input directly, and Δt_i , F_f and F_{pau} are automatically measured and calculated to set the chassis dynamometer to the target running resistance force:

$$F^* = f_0 + f_2 \cdot v^2 \quad (20)$$

In this case, several points in succession are directly input digitally from the data set of F^*j and v_j , the coast-down is performed and the coast-down time Δt_j is measured. After the coast-down test has been repeated several times, F_{pau} is automatically calculated and set at vehicle speed intervals of 0.1 km/h, in the following sequence:

$$F^* + F_f = \frac{1}{3.6} (m_i + m_{r1}) \frac{2\Delta v}{\Delta t_i} \quad (21)$$

$$F_f = \frac{1}{3.6} (m_i + m_{r1}) \frac{2\Delta v}{\Delta t_i} - F^* \quad (22)$$

$$F_{pau} = F^* - F_f \quad (23)$$

4.2.2.2.5.4. Chassis dynamometer with f^*_0 , f^*_2 coefficient digital setter

In the case of a chassis dynamometer with a coefficient digital setter, where a central processor unit is incorporated in the system, the target running resistance force is automatically set on the chassis dynamometer.

In this case, the coefficients f^*_0 and f^*_2 are directly input digitally; the coast-down is performed and the coast-down time Δt_i is measured. F_{pau} is automatically calculated and set at vehicle speed intervals of 0.06 km/h, in the following sequence:

$$F^* + F_f = \frac{1}{3.6} (m_i + m_{r1}) \frac{2\Delta v}{\Delta t_i} \quad (24)$$

$$F_f = \frac{1}{3.6} (m_i + m_{r1}) \frac{2\Delta v}{\Delta t_i} - F^* \quad (25)$$

$$F_{pau} = F^* - F_f \quad (26)$$

4.2.2.2.6. Dynamometer settings verification

4.2.2.2.6.1. Verification test

Immediately after the initial setting, the coast-down time Δt_E on the chassis dynamometer corresponding to the reference vehicle speed (v_0) shall be measured by the procedure set out in Appendix 4 and Appendix 5 to Annex 4 ~~B.5.4. and B.5.5.~~ for a vehicle equipped with one wheel on the powered axle. The measurement shall be carried out at least three times, and the mean coast-down time Δt_E shall be calculated from the results. The set running resistance force at the reference vehicle speed, $F_E(v_0)$ on the chassis dynamometer is calculated by the following equation:

$$F_E(v_0) = \frac{1}{3.6} (m_i + m_{r1}) \frac{2\Delta v}{\Delta t_E} \quad (27)$$

4.2.2.2.6.2. Calculation of setting error

The setting error ε is calculated by the following equation:

$$\varepsilon = \frac{|F_E(v_0) - F^*(v_0)|}{F^*(v_0)} \times 100 \quad (28)$$

The chassis dynamometer shall be readjusted if the setting error does not satisfy the following criteria:

$$\varepsilon \leq 2 \text{ percent for } v_0 \geq 50 \text{ km/h}$$

$$\varepsilon \leq 3 \text{ percent for } 30 \text{ km/h} \leq v_0 < 50 \text{ km/h}$$

$$\varepsilon \leq 10 \text{ percent for } v_0 < 30 \text{ km/h}$$

The procedure in paragraphs 4.2.2.2.6.1. to 4.2.2.2.6.2. shall be repeated until the setting error satisfies the criteria. The chassis dynamometer setting and the observed errors shall be recorded. Template record forms are provided in the template in accordance with Appendix 11 to Annex 4.

4.2.2.3. Chassis dynamometer preparation, if settings are derived from a running resistance table

4.2.2.3.1. The specified vehicle speed for the chassis dynamometer

The running resistance on the chassis dynamometer shall be verified at the specified vehicle speed v . At least four specified vehicle speeds shall be verified. The range of specified vehicle speed points (the interval between the maximum and minimum points) shall extend either side of the reference vehicle speed or the reference vehicle speed range, if there is more than one reference vehicle speed, by at least Δv , as defined in Appendix 4 and Appendix 5 to Annex 4 for a vehicle equipped with one wheel on the powered axle. The specified vehicle speed points, including the reference vehicle speed points, shall be at regular intervals of no more than 20 km/h apart.

4.2.2.3.2. Verification of chassis dynamometer

4.2.2.3.2.1. Immediately after the initial setting, the coast-down time on the chassis dynamometer corresponding to the specified vehicle speed shall be measured. The vehicle shall not be set up on the chassis dynamometer during the coast-down time measurement. The coast-down time measurement shall start when the chassis dynamometer vehicle speed exceeds the maximum vehicle speed of the test cycle.

4.2.2.3.2.2. The measurement shall be carried out at least three times, and the mean coast-down time Δt_{ε} shall be calculated from the results.

4.2.2.3.2.3. The set running resistance force $F_E(v_j)$ at the specified vehicle speed on the chassis dynamometer is calculated using the following equation:

$$F_{\varepsilon}(v_j) = \frac{1}{3.6} \cdot m_i \cdot \frac{2\Delta v}{\Delta t_{\varepsilon}} \quad (29)$$

4.2.2.3.2.4. The setting error ε at the specified vehicle speed is calculated using the following equation:

$$\varepsilon = \frac{|F_E(v_j) - F_T|}{F_T} \times 100 \quad (30)$$

4.2.2.3.2.5. The chassis dynamometer shall be readjusted if the setting error does not satisfy the following criteria:

$$\varepsilon \leq 2 \text{ percent for } v \geq 50 \text{ km/h}$$

$$\varepsilon \leq 3 \text{ percent for } 30 \text{ km/h} \leq v < 50 \text{ km/h}$$

$$\varepsilon \leq 10 \text{ percent for } v < 30 \text{ km/h}$$

4.2.2.3.2.6. The procedure described in paragraphs 4.2.2.3.2.1. to 4.2.2.3.2.5. shall be repeated until the setting error satisfies the criteria. The chassis dynamometer setting and the observed errors shall be recorded.

4.2.2.4. The chassis dynamometer system shall comply with the calibration and verification methods laid down in Appendix 6 to Annex 4.

4.2.3. Calibration of analysers

4.2.3.1. Analyser calibration procedures

Each analyser shall be calibrated as specified by the instrument manufacturer or at least as often as described in Table A1/5.

Table A1/5
Instrument calibration intervals

<i>Instrument checks</i>	<i>Interval</i>	<i>Criteria</i>
Gas analyser linearization (calibration)	Every 6 months	± 2 per cent reading
Mid span	Every 6 months	± 2 per cent
CO NDIR: CO ₂ /H ₂ O interface	Monthly	-1 to 3 ppm
NO ₂ converter check	Monthly	> 95 percent
CH ₄ cutter check	Yearly	98 percent of Ethane
FID CH ₄ response	Yearly	See paragraph 5.1.1.4.4.
FID air/fuel flow	At major maintenance	According to instrument manufacturer
NO/NO ₂ NDUV: H ₂ O, HC interference	At major maintenance	According to instrument manufacturer
Microgram balance linearity	Yearly or at major maintenance	See paragraph 3.4.3.10.1.3.4.1.1.

Non-dispersive infrared absorption analysers shall be checked at the same intervals using nitrogen/ CO and nitrogen/ CO₂ mixtures in nominal concentrations equal to 10, 40, 60, 85 and 90 per cent of full scale.

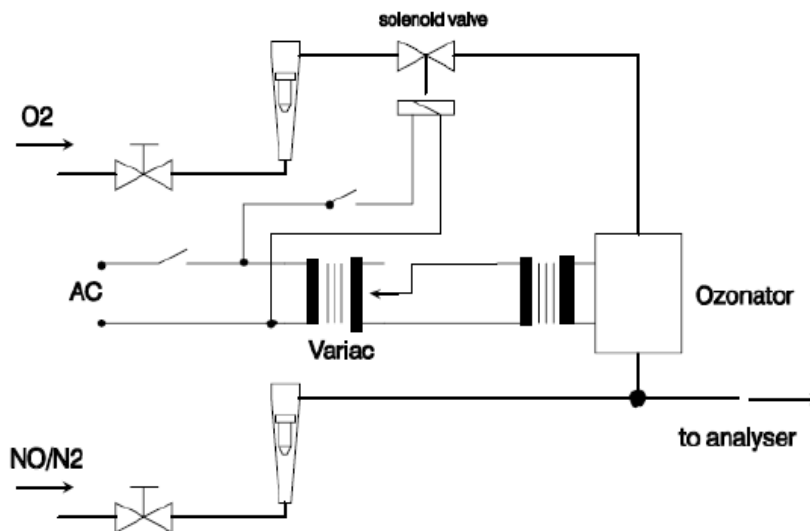
- 4.2.3.2. Each normally used operating range shall be linearized by the following procedure:
- 4.2.3.2.1. The analyser linearization curve shall be established by at least five calibration points spaced as uniformly as possible. The nominal concentration of the calibration gas of the highest concentration shall be not less than 80 per cent of the full scale.
- 4.2.3.2.2. The calibration gas concentration required may be obtained by means of a gas divider, diluting with purified N₂ or with purified synthetic air.
- 4.2.3.2.3. The linearization curve shall be calculated by the least squares method. If the resulting polynomial degree is greater than 3, the number of calibration points shall be at least equal to this polynomial degree plus 2.
- 4.2.3.2.4. The linearization curve shall not differ by more than ±2 per cent from the nominal value of each calibration gas.
- 4.2.3.2.5. From the trace of the linearization curve and the linearization points, it is possible to verify that the calibration has been carried out correctly. The different characteristic parameters of the analyser shall be indicated, particularly:
- (a) Scale;
 - (b) Sensitivity;
 - (c) Zero point;
 - (d) Date of the linearization.
- 4.2.3.2.6. If it can be shown to the satisfaction of the responsible authority that alternative technologies (e.g. computer, electronically controlled range switch, etc.) can give equivalent accuracy, these alternatives may be used.

- 4.2.3.3. Analyser zero and calibration verification procedure
- 4.2.3.3.1. Each normally used operating range shall be checked prior to each analysis in accordance with the following subparagraphs.
- 4.2.3.3.1.1. The calibration shall be checked by use of a zero gas and by use of a calibration gas according to paragraph 5.1.1.2. (a),(b),(c).
- 4.2.3.3.1.2. After testing, zero gas and the same calibration gas shall be used for rechecking according to paragraph 5.1.1.2. (e).
- 4.2.3.4. FID hydrocarbon response check procedure
- 4.2.3.4.1. Detector response optimisation
- The FID shall be adjusted as specified by the instrument manufacturer. Propane in air should be used on the most common operating range.
- 4.2.3.4.2. Calibration of the HC analyser
- The analyser shall be calibrated using propane in air and purified synthetic air. A calibration curve as described in paragraph 5.1.1.2. shall be established.
- 4.2.3.4.3. Response factors of different hydrocarbons and recommended limits
- The response factor (R_f), for a particular hydrocarbon compound is the ratio of the FID C1 reading to the gas cylinder concentration, expressed as ppm C1. The concentration of the test gas shall be at a level to give a response of approximately 80 per cent of full-scale deflection, for the operating range. The concentration shall be known to an accuracy of ± 2 per cent in reference to a gravimetric standard expressed in volume. In addition, the gas cylinder shall be pre-conditioned for 24 hours at a temperature between 20 and 30°C (293.15K and 303.15K).
- Response factors shall be determined when introducing an analyser into service and thereafter at major service intervals. The test gases to be used and the recommended response factors are:
- Methane and purified air: $1.00 < R_f < 1.15$ or $1.00 < R_f < 1.05$ for NG/biomethane-fuelled vehicles
- Propylene and purified air: $0.90 < R_f < 1.00$
- Toluene and purified air: $0.90 < R_f < 1.00$
- These are relative to a response factor (R_f) of 1.00 for propane and purified air.
- 4.2.3.4.4. NOx converter efficiency test procedure
- 4.2.3.4.4.1. Using the test set up as shown in Figure A1/8 and the procedure described below, the efficiency of converters for the conversion of NO₂ into NO shall be tested by means of an ozonator as follows:
- 4.2.3.4.4.1.1. The analyser shall be calibrated in the most common operating range following the manufacturer's specifications using zero and calibration gas (the NO content of which shall amount to approximately 80 per cent of the operating range and the NO₂ concentration of the gas mixture shall be less than 5 per cent of the NO concentration). The NOx analyser shall be in the NO mode so that the calibration gas does not pass through the converter. The indicated concentration shall be recorded.
- 4.2.3.4.4.1.2. Via a T-fitting, oxygen or synthetic air shall be added continuously to the calibration gas flow until the concentration indicated is approximately 10 per

cent less than the indicated calibration concentration given in paragraph 4.2.3.4.4.1.1. above. The indicated concentration (c) shall be recorded. The ozonator shall be kept deactivated throughout this process.

- 4.2.3.4.4.1.3. The ozonator shall now be activated to generate enough ozone to bring the NO concentration down to 20 per cent (minimum 10 per cent) of the calibration concentration given in paragraph 4.2.3.4.4.1.1. of this Annex. The indicated concentration (d) shall be recorded.
- 4.2.3.4.4.1.4. The NO_x analyser shall then be switched to the NO_x mode, whereby the gas mixture (consisting of NO, NO₂, O₂ and N₂) now passes through the converter. The indicated concentration (a) shall be recorded.
- 4.2.3.4.4.1.5. The ozonator shall now be deactivated. The mixture of gases described in paragraph 4.2.3.4.4.1.2. of this Annex shall pass through the converter into the detector. The indicated concentration (b) shall be recorded.

Figure A1/8

NO_x converter efficiency test configuration

- 4.2.3.4.4.1.6. With the ozonator deactivated, the flow of oxygen or synthetic air shall be shut off. The NO₂ reading of the analyser shall then be no more than 5 per cent above the figure given in paragraph 4.2.3.4.4.1.1. above.
- 4.2.3.4.4.1.7. The efficiency of the NO_x converter shall be calculated using the concentrations a, b, c and d determined in paragraphs 4.2.3.4.4.1.2. through 4.2.3.4.4.1.5. above as follows:

$$\text{Efficiency (per cent)} = \left(1 + \frac{a - b}{c - d}\right) \times 100$$

The efficiency of the converter shall not be less than 95 per cent. The efficiency of the converter shall be tested in the frequency defined in Table A1/5.

4.2.3.5. Calibration of the microgram balance

The calibration of the microgram balance used for particulate filter weighing shall be traceable to a national or international standard. The balance shall comply with the linearity requirements given in paragraph 3.4.3.10.1.3.4.1.1.

The linearity verification shall be performed at least every 12 months or whenever a system repair or change is made that could influence the calibration.

Calibration and validation of the particle sampling system

Examples of calibration/validation methods are available at:

<http://www.unece.org/trans/main/wp29/wp29wgs/wp29grpe/pmpFCP.html>.

4.2.3.5.1. Flow meter calibration

The approval authority shall check that a calibration certificate has been issued for the flow meter demonstrating compliance with a traceable standard within a 12-month period prior to the test, or since any repair or change which could influence calibration.

4.2.3.5.2. Microbalance calibration

The approval authority shall check that a calibration certificate has been issued for the microbalance demonstrating compliance with a traceable standard within a 12-month period prior to the test.

4.2.3.5.3. Reference filter weighing

To determine the specific reference filter weights, at least two unused reference filters shall be weighed within eight hours of, but preferably at the same time as, the sample filter weighing. Reference filters shall be of the same size and material as the sample filter.

If the specific weight of any reference filter changes by more than $\pm 5 \mu\text{g}$ between sample filter weighings, the sample filter and reference filters shall be reconditioned in the weighing room and then reweighed.

This shall be based on a comparison of the specific weight of the reference filter and the rolling average of that filter's specific weights.

The rolling average shall be calculated from the specific weights collected in the period since the reference filters were placed in the weighing room. The averaging period shall be between one day and 30 days.

Multiple reconditioning and re-weighings of the sample and reference filters are permitted up to 80 hours after the measurement of gases from the emissions test.

If, within this period, more than half the reference filters meet the $\pm 5 \mu\text{g}$ criterion, the sample filter weighing can be considered valid.

If, at the end of this period, two reference filters are used and one filter fails to meet the $\pm 5 \mu\text{g}$ criterion, the sample filter weighing may be considered valid provided that the sum of the absolute differences between specific and rolling averages from the two reference filters is no more than $10 \mu\text{g}$.

If fewer than half of the reference filters meet the $\pm 5 \mu\text{g}$ criterion, the sample filter shall be discarded and the emissions test repeated. All reference filters shall be discarded and replaced within 48 hours.

In all other cases, reference filters shall be replaced at least every 30 days and in such a manner that no sample filter is weighed without comparison with a reference filter that has been in the weighing room for at least one day.

If the weighing room stability criteria outlined in paragraph 3.4.3.10.1.3.4. are not met but the reference filter weighings meet the criteria listed in paragraph 4.2.3.5.3., the vehicle manufacturer has the option of accepting the

sample filter weights or voiding the tests, fixing the weighing room control system and re-running the test.

4.2.3.6. Reference gases

4.2.3.6.1. Pure gases

The following pure gases shall be available, if necessary, for calibration and operation:

Purified nitrogen: (purity: ≤ 1 ppm C1, ≤ 1 ppm CO, ≤ 400 ppm CO₂, ≤ 0.1 ppm NO);

Purified synthetic air: (purity: ≤ 1 ppm C1, ≤ 1 ppm CO, ≤ 400 ppm CO₂, ≤ 0.1 ppm NO); oxygen content between 18 and 21 per cent by volume;

Purified oxygen: (purity > 99.5 per cent vol. O₂);

Purified hydrogen (and mixture containing helium): (purity ≤ 1 ppm C1, ≤ 400 ppm CO₂);

Carbon monoxide: (minimum purity 99.5 percent);

Propane: (minimum purity 99.5 per cent).

4.2.3.6.2. Calibration gases

The true concentration of a calibration gas shall be within ± 1 per cent of the stated value or as given below. Mixtures of gases having the following compositions shall be available with a bulk gas specification according to paragraphs 4.2.3.6.1.:

(a) C₃H₈ in synthetic air (see paragraph 4.2.3.6.1. above);

(b) CO in nitrogen;

(c) CO₂ in nitrogen;

(d) CH₄ in synthetic air

(e) NO in Nitrogen (the amount of NO₂ contained in this calibration gas shall not exceed 5 per cent of the NO content).

(f) NO₂ in nitrogen (tolerance ± 2 per cent);

4.2.3.7. Calibration and verification of the dilution system

The dilution system shall be calibrated and verified and shall comply with the requirements of Appendix 7 to Annex 4.

4.2.4. Test vehicle preconditioning

4.2.4.1. The test vehicle shall be moved to the test area and the following operations performed:

The fuel tanks shall be drained through the drains of the fuel tanks provided and charged with the test fuel requirement as specified in Appendix 2 to Annex 4 to half the capacity of the tanks.

The test vehicle shall be placed, either by being driven or pushed, on a dynamometer and operated through the applicable test cycle as specified for the vehicle (sub-) category in Appendix 12 to Annex 4. The vehicle need not be cold, and may be used to set dynamometer power.

4.2.4.2. Practice runs over the prescribed driving schedule may be performed at test points, provided an emission sample is not taken, for the purpose of finding

the minimum throttle action to maintain the proper vehicle speed-time relationship, or to permit sampling system adjustments.

4.2.4.3. Within five minutes of completion of preconditioning, the test vehicle shall be removed from the dynamometer and may be driven or pushed to the soak area to be parked. The vehicle shall be stored for between six and 36 hours prior to the cold start type I test or until the engine oil temperature T_O or the coolant temperature T_C or the sparkplug seat/gasket temperature T_P (only for air-cooled engine) equals the air temperature of the soak area within 2 °C.

4.2.4.4. For the purpose of measuring particulates, between six and 36 hours before testing, the applicable test cycle set out in Appendix 12 to Annex 4- shall be conducted. The technical details of the applicable test cycle are laid down in Appendix 12 to Annex 4- and the applicable test cycle shall also be used for vehicle pre-conditioning. Three consecutive cycles shall be driven. The dynamometer setting shall be indicated as in paragraph 3.4.6.

4.2.4.5. At the request of the manufacturer, vehicles fitted with indirect injection positive-ignition engines may be preconditioned with one Part One, one Part Two and two Part Three driving cycles, if applicable, from the WMTC.

In a test facility where a test on a low particulate emitting vehicle could be contaminated by residue from a previous test on a high particulate emitting vehicle, it is recommended that, in order to pre-condition the sampling equipment, the low particulate emitting vehicle undergo a 20 minute 120 km/h steady state drive cycle or at 70% ~~per cent~~ of the maximum design vehicle speed for vehicles not capable of attaining 120 km/h followed by three consecutive Part Two or Part Three WMTC cycles, if feasible.

After this preconditioning, and before testing, vehicles shall be kept in a room in which the temperature remains relatively constant at $25 \pm 5^\circ\text{C}$. This conditioning shall be carried out for at least six hours and continue until the engine oil temperature and coolant, if any, are within $\pm 2.0^\circ\text{C}$ of the temperature of the room.

If the manufacturer so requests, the test shall be carried out not later than 30 hours after the vehicle has been run at its normal temperature.

4.2.5. Emissions tests

4.2.5.1. Engine starting and restarting

4.2.5.1.1. The engine shall be started according to the manufacturer's recommended starting procedures. The test cycle run shall begin when the engine starts.

4.2.5.1.2. Test vehicles equipped with automatic chokes shall be operated according to the instructions in the manufacturer's operating instructions or owner's manual covering choke-setting and "kick-down" from cold fast idle. In the case of the WMTC set out in Appendix 12 to Annex 4-, the transmission shall be put in gear 15 seconds after the engine is started. If necessary, braking may be employed to keep the drive wheels from turning.

4.2.5.1.3. Test vehicles equipped with manual chokes shall be operated according to the manufacturer's operating instructions or owner's manual. Where times are provided in the instructions, the point for operation may be specified, within 15 seconds of the recommended time.

4.2.5.1.4. The operator may use the choke, throttle, etc. where necessary to keep the engine running.

4.2.5.1.5. If the manufacturer's operating instructions or owner's manual do not specify a warm engine starting procedure, the engine (automatic and manual choke

- engines) shall be started by opening the throttle about half way and cranking the engine until it starts.
- 4.2.5.1.6. If, during the cold start, the test vehicle does not start after ten seconds of cranking or ten cycles of the manual starting mechanism, cranking shall cease and the reason for failure to start determined. The revolution counter on the constant volume sampler shall be turned off and the sample solenoid valves placed in the "standby" position during this diagnostic period. In addition, either the CVS blower shall be turned off or the exhaust tube disconnected from the tailpipe during the diagnostic period.
- 4.2.5.1.7. In case of an operational error, that causes a delay in the starting of sampling collection at the initiation of engine start up procedure, the test vehicle shall be rescheduled for testing from a cold start. If failure to start is caused by vehicle malfunction, corrective action (following the unscheduled maintenance provisions) lasting less than 30 minutes may be taken and the test continued (During the corrective action sampling system shall be deactivated). The sampling system shall be reactivated at the same time cranking is started. The driving schedule timing sequence shall begin when the engine starts. If failure to start is caused by vehicle malfunction and the vehicle cannot be started, the test shall be voided, the vehicle removed from the dynamometer, corrective action taken (following the unscheduled maintenance provisions) and the vehicle rescheduled for test from a cold start. The reason for the malfunction (if determined) and the corrective action taken shall be reported.
- 4.2.5.1.8. If the test vehicle does not start during the warm start after ten seconds of cranking or ten cycles of the manual starting mechanism, cranking shall cease, the test shall be voided, the vehicle removed from the dynamometer, corrective action taken and the vehicle rescheduled for test. The reason for the malfunction (if determined) and the corrective action taken shall be reported.
- 4.2.5.1.9. If the engine "false starts", the operator shall repeat the recommended starting procedure (such as resetting the choke, etc.)
- 4.2.5.2. Stalling
- 4.2.5.2.1. If the engine stalls during an idle period, it shall be restarted immediately and the test continued. If it cannot be started soon enough to allow the vehicle to follow the next acceleration as prescribed, the driving schedule indicator shall be stopped. When the vehicle restarts, the driving schedule indicator shall be reactivated.
- 4.2.5.2.2. If the engine stalls during some operating mode other than idle, the driving schedule indicator shall be stopped, the test vehicle restarted and accelerated to the vehicle speed required at that point in the driving schedule, and the test continued. During acceleration to this point, gearshifts shall be performed in accordance with paragraph 3.4.5.
- 4.2.5.2.3. If the test vehicle will not restart within one minute, the test shall be voided, the vehicle removed from the dynamometer, corrective action taken and the vehicle rescheduled for test. The reason for the malfunction (if determined) and the corrective action taken shall be reported.
- 4.2.6. Drive instructions
- 4.2.6.1. In case of multi-mode vehicles, the vehicle shall be tested in the worst case based on the different tailpipe emissions. It may be in one mode or more than one mode. The decision for the worst case will be based on the

documentation provided by the vehicle manufacturers and mutually agreed by the approval authority.

- 4.2.6.2. The test vehicle shall be driven with minimum throttle movement to maintain the desired vehicle speed. No simultaneous use of brake and throttle shall be permitted.
- 4.2.6.3. If the test vehicle cannot accelerate at the specified rate, it shall be operated with the throttle fully opened until the roller speed (actual vehicle speed) reaches the value prescribed for that time in the driving schedule.
- 4.2.7. Dynamometer test runs
- 4.2.7.1. The complete dynamometer test consists of consecutive parts as described in Appendix 12 to Annex 4.
- 4.2.7.2. The following steps shall be taken for each test:
- (a) place drive wheel of vehicle on dynamometer without starting engine;
 - (b) activate vehicle cooling fan;
 - (c) for all test vehicles, with the sample selector valves in the "standby" position, connect evacuated sample collection bags to the dilute exhaust and dilution air sample collection systems;
 - (d) start the CVS (if not already on), the sample pumps and the temperature recorder. (The heat exchanger of the constant volume sampler, if used, and sample lines shall be preheated to their respective operating temperatures before the test begins);
 - (e) adjust the sample flow rates to the desired flow rate and set the gas flow measuring devices to zero;
 - (i) For gaseous bag (except hydrocarbon) samples, the minimum flow rate is 0.08 litre/second;
 - (ii) For hydrocarbon samples, the minimum flame ionisation detection (FID) (or heated flame ionisation detection (HFID) in the case of methanol-fuelled vehicles) flow rate is 0.031 litre/second;
 - (f) attach the flexible exhaust tube to the vehicle tailpipes;
 - (g) start the gas flow measuring device, position the sample selector valves to direct the sample flow into the "transient" exhaust sample bag, the "transient" dilution air sample bag, turn the key on and start cranking the engine;
 - (h) put the transmission in gear;
 - (i) begin the initial vehicle acceleration of the driving schedule;
 - (j) operate the vehicle according to the driving cycles specified in Appendix 12 to Annex 4;
 - (k) at the end of part 1 or part 1 in cold condition, simultaneously switch the sample flows from the first bags and samples to the second bags and samples, switch off gas flow measuring device No. 1 and start gas flow measuring device No. 2;
 - (l) in case of vehicles capable of running Part 3 of the WMTC, at the end of Part 2 simultaneously switch the sample flows from the second bags and samples to the third bags and samples, switch off gas flow measuring device No. 2 and, start gas flow measuring device No. 3;

- (m) before starting a new part, record the measured roll or shaft revolutions and reset the counter or switch to a second counter. As soon as possible, transfer the exhaust and dilution air samples to the analytical system and process the samples according to paragraph 5., obtaining a stabilised reading of the exhaust bag sample on all analysers within 20 minutes of the end of the sample collection phase of the test;
- (n) turn the engine off two seconds after the end of the last part of the test;
- (o) immediately after the end of the sample period, turn off the cooling fan;
- (p) turn off the constant volume sampler (CVS) or critical-flow venturi (CFV) or disconnect the exhaust tube from the tailpipes of the vehicle;
- (q) disconnect the exhaust tube from the vehicle tailpipes and remove the vehicle from the dynamometer;
- (r) for comparison and analysis reasons, second-by-second emissions (diluted gas) data shall be monitored as well as the bag results.

5. Analysis of results

5.1. Type I tests

5.1.1. Exhaust emission analysis

5.1.1.1. Analysis of the samples contained in the bags

The analysis shall begin as soon as possible, and in any event not later than 20 minutes after the end of the tests, in order to determine:

- (a) the concentrations of hydrocarbons, carbon monoxide, nitrogen oxides, particulate matter if applicable and carbon dioxide in the sample of dilution air contained in bag(s) B;
- (b) the concentrations of hydrocarbons, carbon monoxide, nitrogen oxides, carbon dioxide and particulate matter if applicable in the sample of diluted exhaust gases contained in bag(s) A.

5.1.1.2. Calibration of analysers and concentration results

The analysis of the results has to be carried out in the following steps:

- (a) prior to each sample analysis, the analyser range to be used for each pollutant shall be set to zero with the appropriate zero gas;
- (b) the analysers are set to the calibration curves by means of span gases of nominal concentrations of 70 to 100 per cent of the range;
- (c) the analysers' zeroes are rechecked. If the reading differs by more than 2 percent of range from that set in (b), the procedure is repeated;
- (d) the samples are analysed;
- (e) after the analysis, zero and span points are rechecked using the same gases. If the readings are within 2 per cent of those in point (c), the analysis is considered acceptable;
- (f) at all paragraphs in this section the flow-rates and pressures of the various gases shall be the same as those used during calibration of the analysers;

- (g) the figure adopted for the concentration of each pollutant measured in the gases is that read off after stabilisation on the measuring device.

5.1.1.3. Measuring the distance covered

The distance (S) actually covered for a test part shall be calculated by multiplying the number of revolutions read from the cumulative counter (see paragraph 4.2.7.) by the circumference of the roller. This distance shall be expressed in km to three decimal places.

5.1.1.4. Determination of the quantity of gas emitted

The reported test results shall be computed for each test and each cycle part by use of the following formulae. The results of all emission tests shall be rounded.

5.1.1.4.1. Total volume of diluted gas (PDP)

The total volume of diluted gas, expressed in m³/cycle part, adjusted to the reference conditions of 0°C and 101.3 kPa, is calculated by Equation (31):

$$V = \frac{V_0 \times N \times (P_a - P_i) \times 273.15}{101.3 \times (T_p + 273.15)} \quad (31)$$

where:

V_0 is the volume of gas displaced by pump P during one revolution, expressed in m³/revolution. This volume is a function of the differences between the intake and output sections of the pump;

N is the number of revolutions made by pump P during each part of the test;

P_a is the ambient pressure in kPa;

P_i is the average under-pressure during the test part in the intake section of pump P, expressed in kPa;

T_p is the temperature (expressed in °C) of the diluted gases during the test part, measured in the intake section of pump P.

5.1.1.4.2. Total volume of diluted gas (CFV)

The calibration procedure described in [appendix-Appendix 7](#) to Annex 4 paragraph 2.3.3. to 2.3.7.

Total volume of diluted gas is based on the flow equation for a critical-flow venturi:

$$Q_s = \frac{K_v P}{\sqrt{T}}$$

where:

Q_s = flow in m³/min

K_v = calibration coefficient;

P = absolute pressure (kPa);

T = absolute temperature (K).

Gas flow is a function of inlet pressure and temperature.

$$K_v = \frac{Q_s \sqrt{T_v}}{P_v}$$

where:

Q_s = flow-rate in m³/min at 0 °C and 101.3 kPa;

T_v = temperature at the venturi inlet (K);

P_v = absolute pressure at the venturi inlet (kPa).

$$V = K_v \int_0^{te} \frac{P_v(t)}{\sqrt{T_v(t)}} dt$$

te = measuring time (s)

5.1.1.4.3. Hydrocarbons (HC)

The mass of unburned hydrocarbons emitted by the exhaust of the vehicle during the test shall be calculated using the following formula:

$$HC_m = \frac{1}{S} \cdot V \cdot d_{HC} \cdot \frac{HC_c}{10^6} \quad (32)$$

where:

HC_m is the mass of hydrocarbons emitted during the test part, in mg/km;

S is the distance defined in paragraph 5.1.1.3.;

V is the total volume, defined in paragraph 5.1.1.4.1.;

d_{HC} is the density of the hydrocarbons at reference temperature and pressure (0° C and 101.3 kPa);

d_{HC}

= 619x10³mg/m³ for petrol (E0) C₁H_{1.85};

= 631x10³mg/m³ for petrol (E5) C₁H_{1.89}O_{0.016};

= 646x10³mg/m³ for petrol (E10) C₁H_{1.93}O_{0.033};

= 619x10³mg/m³ for diesel (B0) C₁H_{1.86}

= 622x10³mg/m³ for diesel (B5/B7) C₁H_{1.86}O_{0.005}

HC_c is the concentration of diluted gases, expressed in parts per million (ppm) of carbon equivalent (e.g. the concentration in propane multiplied by three), corrected to take account of the dilution air by the following equation:

$$HC_c = HC_e - HC_d \cdot \left(1 - \frac{1}{DiF}\right) \quad (33)$$

where:

HC_e is the concentration of hydrocarbons expressed in parts per million (ppm) of carbon equivalent, in the sample of diluted gases collected in bag(s) A;

HC_d is the concentration of hydrocarbons expressed in parts per million (ppm) of carbon equivalent, in the sample of dilution air collected in bag(s) B;

DiF is the coefficient defined in paragraph 5.1.1.4.9.

5.1.1.4.4. Non-methane hydrocarbon (NMHC)

- 5.1.1.4.4.1. For methane measurement using a GC-FID, the non-methane hydrocarbon (NMHC) concentration shall be calculated using the following equations:

$$NMHC_C = HC_C - (Rf_{CH_4} \cdot CH_{4C}) \quad (34)$$

where:

HC_C is the concentration of hydrocarbons (HC) in the diluted exhaust gas, expressed in ppm carbon equivalent and corrected by the amount of HC contained in the dilution air, defined in paragraph 5.1.1.4.3.

Rf_{CH_4} is the FID response factor to methane as defined in paragraph 4.2.3.4.3.

CH_{4C} is the concentration of methane (CH_4) in the diluted exhaust gas, expressed in ppm carbon equivalent, corrected to take account of the dilution air by the following equation:

$$CH_{4C} = CH_{4e} - CH_{4d} \cdot \left(1 - \frac{1}{DiF}\right) \quad (35)$$

where:

CH_{4e} is the concentration of methane expressed in parts per million (ppm), in the sample of diluted gases collected in bag(s) A;

CH_{4d} is the concentration of methane expressed in parts per million (ppm), in the sample of dilution air collected in bag(s) B;

DiF is the coefficient defined in paragraph 5.1.1.4.9.

- 5.1.1.4.4.2. The mass of non-methane hydrocarbon (NMHC) emitted by the exhaust of the vehicle during the test shall be calculated using the following equation:

$$NMHC_m = \frac{1}{S} \cdot V \cdot d_{NMHC} \cdot \frac{NMHC_C}{10^6} \quad (36)$$

where:

$NMHC_m$ is the mass of non-methane hydrocarbon (NMHC) emitted during the test part, in mg/km;

S is the distance defined in paragraph 5.1.1.3.;

V is the total volume, defined in paragraph 5.1.1.4.1.;

d_{NMHC} is the density for NMHC which shall be equal to that of hydrocarbons at reference temperature and pressure (0°C and 101.3 kPa) and is fuel-dependent;

$NMHC_C$ is the corrected concentration of the diluted exhaust gas, expressed in ppm carbon equivalent.

- 5.1.1.4.4.3. For methane measurement using an NMC-FID, the calculation of NMHC depends on the calibration gas/method used for the zero/calibration adjustment. The FID used for the HC measurement (without NMC) shall be calibrated with propane/air in the normal manner. For the calibration of the FID in series with an NMC, the following methods are permitted:

(a) The calibration gas consisting of propane /air bypasses the NMC;

(b) The calibration gas consisting of methane/air passes through the NMC.

It is highly recommended to calibrate the methane FID with methane/air through the NMC.

In case (a), the concentration of CH₄ and NMHC shall be calculated using the following equations:

$$CH_{4C} = \frac{HC_{(W/NMC)C} - HC_{(W/ONMC)C} \times (1 - E_E)}{R_f \times (E_E - E_M)} \quad (37)$$

$$NMHC_C = \frac{HC_{(W/ONMC)C} \times (1 - E_M) - HC_{(W/NMC)C}}{E_E - E_M} \quad (38)$$

In case (b), the concentration of CH₄ and NMHC shall be calculated using the following equations:

$$CH_{4C} = \frac{HC_{(W/NMC)C} \times R_f \times (1 - E_M) - HC_{(W/ONMC)C} \times (1 - E_E)}{R_f \times (E_E - E_M)} \quad (39)$$

$$NMHC_C = \frac{HC_{(W/ONMC)C} \times (1 - E_M) - HC_{(W/NMC)C} \times R_f \times (1 - E_M)}{E_E - E_M} \quad (40)$$

where:

R_f is the methane response factor as defined in paragraph 4.2.3.4.3.;

E_M is the methane efficiency as determined per paragraph 5.1.1.4.4.3.2. below;

E_E is the ethane efficiency as determined per paragraph 5.1.1.4.4.3.3. below.

If R_f < 1.05, it may be omitted in the equations B.2. 39, 41 and 42.

HC_{(w/NMC)C} is the HC concentration with sample gas flowing through the NMC, ppm C, corrected to take account of the dilution air by the following equation (41):

HC_{(w/ONMC)C} is the HC concentration with sample gas bypassing the NMC, ppm C, corrected to take account of the dilution air by the following equation (42):

$$HC_{(W/NMC)C} = HC_{(W/NMC)e} - HC_{(W/NMC)d} \cdot \left(1 - \frac{1}{DiF}\right) \quad (41)$$

where:

HC_{(w/NMC)e} is the concentration of HC expressed in parts per million (ppm), in the sample of diluted gases flowing through the NMC, collected in bag(s) A;

HCH_{(w/NMC)d} is the concentration of HC expressed in parts per million (ppm), in the sample of dilution air flowing through the NMC, collected in bag(s) B;

DiF is the coefficient defined in paragraph 5.1.1.4.9.

$$HC_{(W/oNMC)C} = HC_{(W/oNMC)e} - HC_{(W/oNMC)d} \cdot \left(1 - \frac{1}{DiF}\right) \quad (42)$$

where:

$HC_{(W/O/NMC)e}$ is the concentration of HC expressed in parts per million (ppm), in the sample of diluted gases bypassing the NMC, collected in bag(s) A;

$HCH_{(W/O/NMC)d}$ is the concentration of HC expressed in parts per million (ppm), in the sample of dilution air bypassing the NMC, collected in bag(s) B;

DiF is the coefficient defined in paragraph 5.1.1.4.9.

5.1.1.4.4.3.1. Conversion efficiencies of the non-methane cutter (NMC)

The NMC is used for the removal of the non-methane hydrocarbons from the sample gas by oxidizing all hydrocarbons except methane. Ideally, the conversion for methane is 0 per cent, and for the other hydrocarbons represented by ethane is 100 per cent. For the accurate measurement of NMHC, the two efficiencies shall be determined and used for the calculation of the NMHC emission.

5.1.1.4.4.3.2. Methane conversion efficiency

The methane/air calibration gas shall be flowed to the FID through the NMC and bypassing the NMC and the two concentrations recorded. The efficiency shall be determined using the following equations:

$$E_M = 1 - \frac{HC_{CH_4(W/NMC)C}}{HC_{CH_4(W/ONMC)C}} \quad (43)$$

where:

$HC_{CH_4(W/NMC)C}$ is the HC concentration with CH₄ flowing through the NMC, ppm C;

$HC_{CH_4(W/ONMC)C}$ is the HC concentration with CH₄ bypassing the NMC, ppm C.

5.1.1.4.4.3.3. Ethane conversion efficiency

The ethane/air calibration gas shall be flowed to the FID through the NMC and bypassing the NMC and the two concentrations recorded. The efficiency shall be determined using the following equations:

$$E_E = 1 - \frac{HC_{C_2H_6(W/NMC)C}}{HC_{C_2H_6(W/ONMC)C}} \quad (44)$$

where:

$HC_{C_2H_6(W/NMC)C}$ is the HC concentration with C₂H₆ flowing through the NMC, ppm C;

$HC_{C_2H_6(W/ONMC)C}$ is the HC concentration with C₂H₆ bypassing the NMC in ppm C.

If the ethane conversion efficiency of the NMC is 0.98 or above, E_E shall be set to 1 for any subsequent calculation.

5.1.1.4.4.3.4. If the methane FID is calibrated through the cutter, then E_M shall be 0.

Equation (39) from above becomes:

$$CH_{4C} = HC_{(W/NMC)C} \quad (45)$$

Equation (40) from above becomes:

$$NMHC_C = HC_{(W/ONMC)C} - HC_{(W/NMC)C} \times R_f \quad (46)$$

5.1.1.4.5. Carbon monoxide (CO)

The mass of carbon monoxide emitted by the exhaust of the vehicle during the test shall be calculated using the following formula:

$$CO_m = \frac{I}{S} \cdot V \cdot d_{CO} \cdot \frac{CO_c}{10^6} \quad (47)$$

where:

CO_m is the mass of carbon monoxide emitted during the test part, in mg/km;

S is the distance defined in paragraph 5.1.1.3.;

V is the total volume defined in paragraph 5.1.1.4.1.;

d_{CO} is the density of the carbon monoxide, $d_{CO} = 1.25 \cdot 10^6$ mg/m³ at reference temperature and pressure (0 °C and 101.3 kPa);

CO_c is the concentration of diluted gases, expressed in parts per million (ppm) of carbon monoxide, corrected to take account of the dilution air by the following equation:

$$CO_c = CO_e - CO_d \cdot \left[1 - \frac{1}{DiF} \right] \quad (48)$$

where:

CO_e is the concentration of carbon monoxide expressed in parts per million (ppm), in the sample of diluted gases collected in bag(s) A;

CO_d is the concentration of carbon monoxide expressed in parts per million (ppm), in the sample of dilution air collected in bag(s) B;

DiF is the coefficient defined in paragraph 5.1.1.4.9.

5.1.1.4.6. Nitrogen oxides (NO_x)

The mass of nitrogen oxides emitted by the exhaust of the vehicle during the test shall be calculated using the following formula:

$$NO_{xm} = \frac{I}{S} \cdot V \cdot d_{NO_2} \cdot \frac{NO_{xc} \cdot K_h}{10^6} \quad (49)$$

where:

NO_{xm} is the mass of nitrogen oxides emitted during the test part, in mg/km;

S is the distance defined in paragraph 5.1.1.3.;

V is the total volume defined in paragraph 5.1.1.4.1.;

d_{NO_2} is the density of the nitrogen oxides in the exhaust gases, assuming that they will be in the form of nitric oxide, $d_{NO_2} = 2.05 \cdot 10^6$ mg/m³ at reference temperature and pressure (0 °C and 101.3 kPa);

NO_{xc} is the concentration of diluted gases, expressed in parts per million (ppm), corrected to take account of the dilution air by the following equation:

$$NO_{xc} = NO_{xe} - NO_{xd} \cdot \left[1 - \frac{1}{DiF} \right] \quad (50)$$

where:

NO_{xe} is the concentration of nitrogen oxides expressed in parts per million (ppm) of nitrogen oxides, in the sample of diluted gases collected in bag(s) A;

NO_{xd} is the concentration of nitrogen oxides expressed in parts per million (ppm) of nitrogen oxides, in the sample of dilution air collected in bag(s) B;

DiF is the coefficient defined in paragraph 5.1.1.4.9.;

K_h is the humidity correction factor, calculated using the following formula:

$$K_h = \frac{1}{1 - 0.0329 \cdot (H - 10.7)} \quad (51)$$

where:

H is the absolute humidity in g of water per kg of dry air:

$$H = \frac{6.2111 \cdot U \cdot p_d}{p_a - p_d \cdot \frac{U}{100}} \quad (52)$$

where:

U is the relative humidity as a percentage;

p_d is the saturated pressure of water at the test temperature in kPa;

p_a is the atmospheric pressure in kPa.

5.1.1.4.7. Particulate matter mass

Particulate emission M_p (mg/km) is calculated by means of the following equation:

$$M_p = \frac{(V_{mix} + V_{ep}) \cdot P_e}{V_{ep} \cdot S} \quad (53)$$

where exhaust gases are vented outside the tunnel;

$$M_p = \frac{V_{mix} \cdot P_e}{V_{ep} \cdot S} \quad (54)$$

where exhaust gases are returned to the tunnel;

where:

V_{mix} = volume of diluted exhaust gases under standard conditions;

V_{ep} = volume of exhaust gas flowing through particulate filter under standard conditions;

P_e = particulate mass collected by filter(s);

S = is the distance defined in paragraph 5.1.1.3.;

M_p = particulate emission in mg/km.

Where correction for the particulate background level from the dilution system has been used, this shall be determined in accordance with paragraph 4.2.1.5. In this case, the particulate mass (mg/km) shall be calculated as follows:

$$M_P = \left[\frac{P_e}{V_{ep}} - \left(\frac{P_a}{V_{ap}} \cdot \left(1 - \frac{1}{DiF} \right) \right) \right] \cdot \frac{(V_{mix} + V_{ep})}{S} \quad (55)$$

where exhaust gases are vented outside the tunnel;

$$M_P = \left[\frac{P_e}{V_{ep}} - \left(\frac{P_a}{V_{ap}} \cdot \left(1 - \frac{1}{DiF} \right) \right) \right] \cdot \frac{V_{mix}}{S} \quad (56)$$

where exhaust gases are returned to the tunnel;

where:

V_{ap} = volume of tunnel air flowing through the background particulate filter under standard conditions;

P_a = particulate mass collected by background filter;

DiF = dilution factor as determined in paragraph 5.1.1.4.9.

Where application of a background correction results in a negative particulate mass (in mg/km), the result shall be considered to be zero mg/km particulate mass.

5.1.1.4.8. Carbon dioxide (CO₂)

The mass of carbon dioxide emitted by the exhaust of the vehicle during the test shall be calculated using the following formula:

$$CO_{2m} = \frac{1}{S} \cdot V \cdot d_{CO_2} \cdot \frac{CO_{2c}}{10^2} \quad (57)$$

where:

CO_{2m} is the mass of carbon dioxide emitted during the test part, in g/km;

S is the distance defined in paragraph 5.1.1.3.;

V is the total volume defined in paragraph 5.1.1.4.1.;

d_{CO_2} is the density of the carbon monoxide, $d_{CO_2} = 1.964 \cdot 10^3$ g/m³ at reference temperature and pressure (0 °C) and 101.3 kPa);

CO_{2c} is the concentration of diluted gases, expressed as a percentage of carbon dioxide equivalent, corrected to take account of the dilution air by the following equation:

$$CO_{2c} = CO_{2e} - CO_{2d} \cdot \left[1 - \frac{1}{DiF} \right] \quad (58)$$

where:

CO_{2e} is the concentration of carbon dioxide expressed as a percentage of the sample of diluted gases collected in bag(s) A;

CO_{2d} is the concentration of carbon dioxide expressed as a percentage of the sample of dilution air collected in bag(s) B;

DiF is the coefficient defined in paragraph 5.1.1.4.9.

5.1.1.4.9. Dilution factor (DiF)

The dilution factor is calculated as follows:

For each reference fuel, except hydrogen:

$$DiF = \frac{X}{C_{CO_2} + (C_{HC} + C_{CO}) \cdot 10^{-4}} \quad (59)$$

For a fuel of composition $C_xH_yO_z$, the general formula is:

$$X = 100 \cdot \frac{x}{x + \frac{y}{2} + 3.76 \cdot \left(x + \frac{y}{4} - \frac{z}{2} \right)} \quad (60)$$

For the reference fuels contained in Appendix 2 to Annex 4, the values of "X" are as follows:

Table A1/6

Factor "X" in formulae to calculate DiF

Fuel	X
Petrol (E0~E10)	13.4
Diesel (B5)	13.5

In these equations:

C_{CO_2} = concentration of CO_2 in the diluted exhaust gas contained in the sampling bag, expressed in percent by volume,

C_{HC} = concentration of HC in the diluted exhaust gas contained in the sampling bag, expressed in ppm carbon equivalent,

C_{CO} = concentration of CO in the diluted exhaust gas contained in the sampling bag, expressed in ppm,

5.1.1.5. Weighting of type I test results

5.1.1.5.1. With repeated measurements (see paragraph 4.1.1.2.), the pollutant (mg/km), and CO_2 (g/km) emission results obtained by the calculation method described in paragraph 5.1.1. and fuel consumption determined according to Section B.4. are averaged for each cycle part.

5.1.1.6. Weighting of WMTC results

The (average) result of Part 1 or Part 1 reduced vehicle speed is called R1, the (average) result of Part 2 or Part 2 reduced vehicle speed is called R2 and the (average) result of Part 3 or part 3 reduced vehicle speed is called R3. Using these emission (mg/km) and fuel consumption (litres/100 km) results, the final result R_F , depending on the vehicle category as defined in paragraph 3 of this Regulation, shall be calculated using the following equations:

$$R_F = R_1 \cdot w_1 + R_1 \cdot w_2 \quad (61)$$

$$R_F = R_1 \cdot w_1 + R_2 \cdot w_2 \quad (62)$$

where:

w_1 = weighting factor cold phase

w_2 = weighting factor warm phase

$$R_F = R_1 \cdot w_1 + R_2 \cdot w_2 + R_3 \cdot w_3 \quad (63)$$

where:

w_n = weighting factor phase n (n=1, 2 or 3)

- 5.1.1.6.1. For each gaseous pollutant, PM and carbon dioxide emission the weightings shown in Tables A1/7 shall be used.

Table A1/7

Type I test cycles (also applicable for test Types VII and VIII), applicable weighting equations and weighting factors

<i>Vehicle Class</i>	<i>Equation</i>	<i>Weighting Factor</i>
0	B.2 - 63	$w_1 = 0.50$
		$w_2 = 0.50$
1	B.2 - 63	$w_1 = 0.30$
		$w_2 = 0.70$
2	B.2 - 64	$w_1 = 0.30$
		$w_2 = 0.70$
3	B.2 - 65	$w_1 = 0.25$
		$w_2 = 0.50$
		$w_3 = 0.25$

6. Records required

- 6.1. The following information shall be recorded with respect to each test:
- (a) test number;
 - (b) vehicle, system or component identification;
 - (c) date and time of day for each part of the test schedule;
 - (d) instrument operator;
 - (e) driver or operator;
 - (f) test vehicle: make, vehicle identification number, model year, drivetrain / transmission type, odometer reading at initiation of preconditioning, engine displacement, engine family, emission-control system, recommended engine speed at idle, nominal fuel tank capacity, inertial loading, reference mass recorded at 0 kilometre, and drive-wheel tyre pressure;
 - (g) dynamometer serial number: as an alternative to recording the dynamometer serial number, a reference to a vehicle test cell number may be used, with the advance approval of the Administration, provided the test cell records show the relevant instrument information;
 - (h) all relevant instrument information, such as tuning, gain, serial number, detector number, range. As an alternative, a reference to a vehicle test cell number may be used, with the advance approval of the Administration, provided test cell calibration records show the relevant instrument information;

- (i) recorder charts: identify zero point, span check, exhaust gas, and dilution air sample traces;
- (j) test cell barometric pressure, ambient temperature and humidity;
Note 7: A central laboratory barometer may be used; provided that individual test cell barometric pressures are shown to be within ± 0.1 percent of the barometric pressure at the central barometer location.
- (k) pressure of the mixture of exhaust and dilution air entering the CVS metering device, the pressure increase across the device, and the temperature at the inlet. The temperature shall be recorded continuously or digitally to determine temperature variations;
- (l) the number of revolutions of the positive displacement pump accumulated during each test phase while exhaust samples are being collected. The number of standard cubic meters metered by a critical-flow venturi (CFV) during each test phase would be the equivalent record for a CFV-CVS;
- (m) the humidity of the dilution air.
Note 8: If conditioning columns are not used, this measurement can be deleted. If the conditioning columns are used and the dilution air is taken from the test cell, the ambient humidity can be used for this measurement;
- (n) the driving distance for each part of the test, calculated from the measured roll or shaft revolutions;
- (o) the actual roller vehicle speed pattern for the test;
- (p) the gear use schedule for the test;
- (q) the emissions results of the type I test for each part of the test and the total weighted test results;
- (r) the second-by-second emission values of the type I tests, if deemed necessary;
- (s) the emissions results of the type II test (see Annex 2).

Annex 2

Test Type II, tailpipe emissions at (increased) idle and at free acceleration

1. Introduction

This Annex describes the procedure for type II testing designed to ensure the on- road pollution under control requisite measurement of emissions during for in-use vehicle roadworthiness testing. The purpose of the requirements laid down in this Annex is to demonstrate that the approved / certified vehicle complies with the minimum requirements with regard to in-use vehicle roadworthiness testing.

2. Scope

- 2.1. During the environmental performance approval / certification process, it shall be demonstrated to the technical service and responsible authority that the vehicles shall comply with the test type II requirements prescribed in regional regulation of contracting parties applicable at the time of certification.
- 2.2. Vehicles equipped with a propulsion unit type of which a positive ignition combustion engine forms part shall be subject only to a type II emission test as set out in paragraphs 3., 4., 5. and 6. of this Annex.
- 2.3. Vehicles equipped with a propulsion unit type of which a compression ignition combustion engine forms part shall be subject only to a type II free acceleration emission test as set out in paragraphs 3., 7. and 8. of this Annex. In this case paragraph 3.8. is not applicable.

3. General conditions of type II emission testing

- 3.1. In general practice, Type II test shall be carried out immediately after Type I test, if not, a visual inspection of any emission-control equipment shall be conducted prior to start of the type II emission test in order to check that the vehicle is complete, in a satisfactory condition and that there are no leaks in the fuel, air supply or exhaust systems. The test vehicle shall be properly maintained and used.
- 3.2. The fuel used to conduct the type II test shall be the reference fuel applicable for Type I test.
- 3.3. During the test, the environmental temperature shall be between 20 °C and 30 °C.
- 3.4. In the case of vehicles with manually-operated or semi-automatic-shift transmission, the test type II test shall be carried out with the gear lever in the "neutral" position and the clutch engaged.
- 3.5. In the case of vehicles with automatic-shift transmission, the idle type II test shall be carried out with the gear selector in either the "neutral" or the "park"

position. Where an automatic clutch is also fitted, the driven axle shall be lifted up to a point at which the wheels can rotate freely.

- 3.6. The type II emission test shall be conducted immediately after the type I emission test. In any other event, if type-II test is required to be conducted independently of Type-I test, the vehicle shall be warmed up until one of the following conditions is satisfied:
- (a) conditions at the end of type I test or, if not feasible,
 - (b) conditions according to ISO 17479 or, if not feasible,
 - (c) lubricant temperature of at least 70°C, or
 - (d) minimum of 600 seconds of continuous driving under normal traffic conditions.
- 3.7. The exhaust outlets shall be provided with an air-tight extension, so that the sample probe used to collect exhaust gases may be inserted at least 60 cm into the exhaust outlet without increasing the back pressure of more than 125 mm H₂O and without disturbing operation of the vehicle. This extension shall be so shaped as to avoid any appreciable dilution of exhaust gases in the air at the location of the sample probe. Where a vehicle is equipped with an exhaust system with multiple outlets, either these shall be joined to a common pipe or the measured pollutants carbon monoxide content shall be collected from each of them and an arithmetical average taken.
- 3.8. The emission test equipment and analysers to perform the type II testing shall be regularly calibrated and maintained. A flame ionisation detection or nondispersive infrared (NDIR) analyser may be used for measuring hydrocarbons.
- 3.9. For vehicles equipped with a stop-start system, the manufacturer shall provide a type II test "service mode" that makes it possible to inspect the vehicle for this roadworthiness test on a running fuel-consuming engine, in order to determine its performance in relation to the data collected. Where this inspection requires a special procedure, this shall be detailed in the service manual (or equivalent media). That special procedure shall not require the use of special equipment other than that provided with the vehicle

4. Test type II – description of test procedure to measure tailpipe emissions at (increased) idle and free acceleration

- 4.1. The possible positions of the adjustment components shall be limited by any of the following:
- 4.1.1. The larger of the following two values:
- (a) the lowest idling engine speed which the engine can reach;
 - (b) the engine speed recommended by the manufacturer, minus 100 revolutions per minute;
- 4.1.2. The smallest of the following three values:
- (a) the highest rotation speed which the crankshaft of the engine can attain by activation of the idling engine speed components;

- (b) the rotation speed recommended by the manufacturer, plus 250 revolutions per minute;
 - (c) the cut-in rotation speed of automatic clutches.
- 4.2. Settings incompatible with the correct running of the engine shall not be adopted as measurement settings. In particular, if the engine is equipped with several carburettors, all the carburettors shall have the same setting.
- 4.3. The following parameters shall be measured and recorded at normal idling engine speed and at high idle engine speed, at the choice of CP:
- (a) the carbon monoxide (CO) content by volume of the exhaust gases emitted (in vol%);
 - (b) the carbon dioxide (CO₂) content by volume of the exhaust gases emitted (in vol%);
 - (c) hydrocarbons (HC) in ppm;
 - (d) the oxygen (O₂) content by volume of the exhaust gases emitted (in vol%) or lambda, as chosen by the manufacturer;
 - (e) the engine speed during the test, including any tolerances;
 - (f) the engine oil temperature at the time of the test. Alternatively, for liquid cooled engines, the coolant temperature shall be acceptable. Alternatively, for vehicles with air cooling the sparkplug seat/gasket temperature (T_P) shall be acceptable.
- 4.3.1. With respect to the parameters under paragraph 4.3. (d), the following shall apply:
- 4.3.1.1. the measurement shall only be conducted at high idle engine speed
 - 4.3.1.2. vehicles in the scope of this measurement are only those equipped with a closed loop fuel system;
 - 4.3.1.3. exemptions for vehicle with:
 - 4.3.1.3.1. engines equipped with a mechanically-controlled (spring, vacuum) secondary air system;
 - 4.3.1.3.2. two-stroke engines operated on a mix of fuel and lubrication oil.

5. CO concentration calculation in the type II idle test

- 5.1. The CO (C_{CO}) and CO₂ (C_{CO₂}) concentration shall be determined from the measuring instrument readings or recordings, by use of appropriate calibration curves.
- 5.2. The corrected concentration for carbon monoxide is:

$$C_{COcorr} = 15 \times \frac{C_{CO}}{C_{CO} + C_{CO_2}} \quad (1)$$

for 2-Stroke vehicles:

$$C_{CO_{corr}} = 10 \times \frac{C_{CO}}{C_{CO} + C_{CO_2}} \quad (2)$$

where:

C_{CO} is the measured concentration of carbon monoxide, in vol. %;

C_{CO_2} is the measured concentration of carbon dioxide, in vol. %;

$C_{CO_{corr}}$ is the corrected concentration for carbon monoxide, in vol. %;

- 5.3. The C_{CO} concentration (see paragraph 5.1.) shall be measured in accordance with the formula in paragraph 5.2. and does not need to be corrected if the total of the concentrations measured ($C_{CO} + C_{CO_2}$) is at least 15% for petrol.

6. Fail criteria test type II for vehicles equipped with a PI combustion engine

- 6.1. The test shall only be regarded as failed if the reported values exceed the limit values prescribed in the regulation of the contracting parties.

7. Test type II – free acceleration test procedure

- 7.1. The exhaust gas opacity shall be measured during free acceleration (no load from idle up to cut-off engine speed) with gear lever in neutral and clutch engaged.

- 7.2. Vehicle preconditioning:

Vehicles may be tested without preconditioning although for safety reasons checks should be made that the engine is warm and in a satisfactory mechanical condition. The following precondition requirements shall apply:

- 7.2.1. The engine shall be fully warm, for instance the engine oil temperature measured by a probe in the oil level dipstick tube to be at least 70°C, or normal operating temperature if lower, or the engine block temperature measured by the level of infrared radiation to be at least an equivalent temperature. If, owing to vehicle configuration, this measurement is impractical, the establishment of the engine's normal operating temperature may be made by other means for example by the operation of the engine cooling fan;
- 7.2.2. The exhaust system shall be purged by at least three free acceleration cycles or by an equivalent method;
- 7.2.3. For vehicles equipped with continuously variable transmission (CVT) and automatic clutch, the driven wheels may be lifted from the ground;
- 7.2.4. For engines with safety limits in the engine control (e.g. max. 1500 rpm without running wheels or without gear), this maximum engine speed shall be reached.

- 7.3. Test procedure

The following test procedure shall be conducted:

- 7.3.1. The combustion engine and any turbocharger or super-charger fitted shall be running at idle before the start of each free acceleration test cycle;

- 7.3.2. To initiate each free acceleration cycle, the throttle shall be fully applied gradually but not violently to reach full throttle operating condition within 5 seconds quickly and continuously (in less than one second) but not violently, so as to obtain maximum delivery from the Fuel injection pump;
- 7.3.3. During each free acceleration cycle, the engine shall reach cut-off engine speed or, for vehicles with automatic transmissions, the engine speed specified by the manufacturer or if this data is not available then two thirds of the cut-off engine speed, before the throttle is released. This could be checked, for instance, by monitoring engine speed or by allowing a sufficient time to elapse between initial throttle depression and release, which should be at least ~~Five~~five seconds elapsing between initial throttle depression and release.
- 7.3.4. The average concentration level of the particulate matter opacity (in m-1) measured in the exhaust flow (opacity) for the 3 consecutive free acceleration test shall be measured during five free acceleration tests taken for decision making. The time duration between the two consecutive free accelerations tests shall be between 5-20 s.

8. Fail criteria test type II for vehicles equipped with a CI combustion engine

- 8.1. The test shall only be regarded as failed if the arithmetic means of at least the last three free acceleration cycles are in excess of the limit value as prescribed in the regulation of the ~~contracting-Contracting parties~~Parties. This may be calculated by ignoring any measurement that departs significantly from the measured mean, or the result of any other statistical calculation that takes account of the scattering of the measurements.

Annex 3

Test type VII, energy efficiency

1. Introduction

- 1.1. This Annex sets out requirements with regard to energy efficiency of vehicles, in particular with respect to the measurements of CO₂ emissions and fuel consumption.
- 1.2. The requirements laid down in this Annex apply to the measurement of the emission of carbon dioxide (CO₂) and fuel consumption for vehicles equipped with associated powertrain configurations:
- 1.3. A standardised method for measuring vehicles' energy efficiency (fuel consumption and carbon dioxide emissions) is necessary to ensure that customers and users are supplied with objective and precise information.

2. Specification and tests

2.1. General

The components liable to affect CO₂ emissions and fuel consumption shall be so designed, constructed and assembled as to enable the vehicle, in normal use, despite the vibrations to which it may be subjected, to comply with the provisions of this section. The test vehicles shall be properly maintained and used.

2.2. Description of tests for vehicles powered by a combustion engine only

- 2.2.1. The emissions of CO₂ and fuel consumption shall be measured according to the test procedure described in Appendix 1 to this Annex. The test procedure, test fuel, conditioning of vehicle, other requirements, etc, are to be followed for Type VII test same as for Type I test described in Annex 1.
- 2.2.2. For CO₂ emissions, the test results shall be expressed in grams per kilometre (g/km) rounded to the nearest one decimal place.
- 2.2.3. Fuel consumption values shall be expressed in terms of both litres per 100 km and also kilometer per litre and their values shall be rounded off to two decimals and one decimal respectively. The values shall be calculated according to paragraph 1.4.3. of Appendix 1 to this Annex by the carbon balance method, using the measured emissions of CO₂ and the other carbon-related emissions (CO and HC).
- 2.2.4. The appropriate reference fuels as set out in Appendix 2 to Annex 4 shall be used for testing.

For the purpose of the calculation referred in paragraph 2.2.3., the fuel consumption shall be expressed in appropriate units and the following fuel characteristics shall be used:

 - (a) density: measured on the test fuel according to ISO 3675:1998 or an equivalent method. For petrol and diesel fuel, the density measured at 15 °C and 101.3 kPa shall be used

(b) hydrogen-carbon ratio: fixed values will be used, as follows:

C_{1:1.85} O_{0.0} for E0 petrol;

C_{1:1.89} O_{0.016} for E5 petrol;

C_{1:1.93} O_{0.033} for E10 petrol;

C_{1:1.80} O_{0.0} for B0 diesel;

C_{1:1.86} O_{0.005} for B5/B7 diesel

2.3. Interpretation of test results

2.3.1. The CO₂ value or the value of fuel consumption adopted as the approval/certification value shall be that declared by the manufacturer if this is not exceeded by more than 4 per cent by the value measured by the technical service. The measured value may be lower without any limitations.

2.3.2. If the measured value of CO₂ emissions or fuel consumption exceeds the manufacturer's declared CO₂ emissions or fuel consumption by more than 4 per cent, another test shall be run on the same vehicle.

Where the average of the two test results does not exceed the manufacturer's declared value by more than 4 per cent, the value declared by the manufacturer shall be taken as the approval/certification value.

2.3.3. If, in the event of another test being run, the average still exceeds the declared value by more than 4 per cent, a final test shall be run on the same vehicle. The average of the three test results shall be taken as the approval/certification value.

3. For Contracting Parties applying type-approval requirements with respect to modification and extension of approval of the approved type

3.1. For all approved types, the approval authority that approved the type shall be notified of any modification of it. The approval authority may then either:

3.1.1. consider that the modifications made are unlikely to have an appreciable adverse effect on the CO₂ emissions and fuel consumption values and that the original environmental performance approval will be valid for the modified vehicle type with regard to the environmental performance, or

3.1.2. require a further test report from the approval authority responsible for conducting the tests in accordance with paragraph 4.

3.2. For Contracting Parties applying type-approval confirmation or extension of approval specifying the alterations, shall be communicated by the following procedure:

3.2.1. If particulars recorded in the information package have changed, without requiring inspections or tests to be repeated, the amendment shall be designated a "revision".

In such cases, the approval authority shall issue the revised pages of the information package as necessary, marking each revised page to show clearly the nature of the change and,

- 3.2.2. The amendment shall be designated an "extension" when particulars recorded in the information package have changed and any of the following occurs:
- (a) further inspections or tests are required;
 - (b) any information on the approval certificate with the exception of its attachments, has changed;
 - (c) new requirements become applicable to the approved vehicle type or to the approved system, component or separate technical unit.

In the event of an extension, the approval authority shall issue an updated approval certificate denoted by an extension number, incremented in accordance with the number of successive extensions already granted. That approval certificate shall clearly show the reason for the extension and the date of re-issue.

- 3.3. The approval authority that grants the extension of the approval shall assign a serial number for such an extension according to the procedure below:
- 3.3.1. Whenever amended pages or a consolidated, updated version are issued, the index to the information package attached to the approval certificate shall be amended accordingly to show the date of the most recent extension or revision, or the date of the most recent consolidation of the updated version.
- 3.3.2. No amendment to the approval of a vehicle shall be required if the new requirements referred to in paragraph 3.2.2.(c) are, from a technical point of view, irrelevant to that type of vehicle or concern categories of vehicle other than the category to which it belongs.

4. For Contracting Parties applying type-approval requirements with respect to conditions of extension of vehicle environmental performance approval

- 4.1. Vehicles powered by an internal combustion engine only

An approval may be extended to vehicles produced by the same manufacturer that are of the same type or of a type that differs with regard to the following characteristics:

- (a) reference mass;
- (b) maximum authorised mass.;
- (c) type of bodywork;
- (d) overall gear ratios;
- (e) engine equipment and accessories;
- (f) engine speed versus vehicle speed in highest gear with an accuracy of +/- 5 %;

Provided the CO₂ emissions or fuel consumption as measured in Appendix 1 to this Annex by the approval authority do not exceed the approval value by more than 4 per cent.

Annex 3 - Appendix 1

Method of measuring carbon dioxide emissions and fuel consumption of vehicles powered by a combustion engine.

1. Specification of the test

- 1.1. The CO₂ emissions and fuel consumption of vehicles powered by a combustion engine only shall be determined according to the procedure for the type I test in Annex 1 in force at the time of the approval/certification of the vehicle.
- 1.2. In addition to the CO₂ emission and fuel consumption results for the entire type I test, CO₂ emissions and fuel consumption shall also be determined separately for parts 1, 2 and 3, if applicable, by using the applicable type I test procedure.
- 1.3. In addition to the conditions in Annex 1 in force at the time of the approval/certification of the vehicle, the following conditions shall apply:
 - 1.3.1. Only the equipment necessary for the operation of the vehicle during the test shall be in use. If there is a manually controlled device for the engine intake air temperature, it shall be in the position prescribed by the manufacturer for the ambient temperature at which the test is performed. In general, the auxiliary devices required for the normal operation of the vehicle shall be in use.
 - 1.3.2. If the radiator fan is temperature-controlled, it shall be in normal operating condition. The passenger compartment heating system, if present, shall be switched off, as shall any air-conditioning system, but the compressor for such systems shall be functioning normally.
 - 1.3.3. If a super-charger is fitted, it shall be in normal operating condition for the test conditions.
 - 1.3.4. All lubricants shall be those recommended by the manufacturer of the vehicle and shall be specified in the test report.
 - 1.3.5. The widest tyre shall be chosen, except where there are more than three tyre sizes, in which case the second widest shall be chosen. The pressures shall be indicated in the test report.
- 1.4. Calculation of CO₂ and fuel consumption values
 - 1.4.1. The mass emission of CO₂, expressed in g/km, shall be calculated from the measurements taken in accordance with the provisions of paragraph 5 of Annex 1.
 - 1.4.1.1. For this calculation, the density of CO₂ shall be assumed to be $Q_{CO_2} = 1.964 \cdot 10^3$ g/m³.
 - 1.4.2. The fuel consumption values shall be calculated from the hydrocarbon, carbon monoxide and carbon dioxide emission measurements taken in accordance with the provisions of paragraph 4 of Annex 1 in force at the time of the approval/certification of the vehicle.
 - 1.4.3. Fuel consumption (FC), expressed in litres per 100 km (in the case of petrol,:

- 1.4.3.1. for vehicles with a positive ignition engine fuelled with petrol (E5):
$$FC = (0.1180/D) \cdot ((0.848 \cdot HC) + (0.429 \cdot CO) + (0.273 \cdot CO_2)); \quad (1)$$
- 1.4.3.2. for vehicles with a compression ignition engine fuelled with diesel (B5):
$$FC = (0.1163/D) \cdot ((0.860 \cdot HC) + (0.429 \cdot CO) + (0.273 \cdot CO_2)); \quad (2)$$
- 1.4.3.3. for vehicles with a compression ignition engine fuelled with diesel (B7):
$$FC = (0.1165/D) \cdot ((0.858 \cdot HC) + (0.429 \cdot CO) + (0.273 \cdot CO_2)); \quad (3)$$
- 1.4.3.4. for vehicles with a positive ignition engine fuelled with petrol (E0) :
$$FC = (0.1155/D) \cdot ((0.866 \cdot HC) + (0.429 \cdot CO) + (0.273 \cdot CO_2)); \quad (4)$$
- 1.4.3.5. for vehicles with a positive ignition engine fuelled with petrol (E10):
$$FC = (0.1206/D) \cdot ((0.829 \cdot HC) + (0.429 \cdot CO) + (0.273 \cdot CO_2)); \quad (5)$$
- 1.4.4. In these formulae:
- FC = the fuel consumption in litres per 100 km in the case of petrol, diesel or biodiesel, in m³ per 100 km
- HC = the measured emission of hydrocarbons in g/km
- CO = the measured emission of carbon monoxide in g/km
- CO₂ = the measured emission of carbon dioxide in g/km
- D = the density of the test fuel.

Annex 4

Common appendixes: Appendixes to test type I, II and VII

<i>Appendix Number</i>	<i>Appendix title</i>	<i>Page number</i>
1	Symbols	69
2	Reference fuels	74
3	Test vehicle requirements Test types I, II and VII	84
4	Classification of equivalent inertia mass and running resistance, applicable for two-wheeled vehicles (table method)	85
5	Road tests of two-wheeled vehicles equipped with one wheel on the driven axle for the determination of test bench settings	90
6	Chassis dynamometer system	96
7	Exhaust dilution system	102
8	Vehicle propulsion unit family with regard to environmental performance demonstration tests	113
9	Information document containing the essential characteristics of the propulsion units and the pollutant control systems	116
10	Template form to record coast down times	134
11	Template form to record chassis dynamometer settings	135
12	Driving cycles for the type I test	136
13	Explanatory note on the gearshift procedure	206

Annex 4 - Appendix 1

Symbols & Abbreviations

Table B.A4.App 1/1
Symbols used

<i>Symbol</i>	<i>Definition</i>	<i>Unit</i>
a	Coefficient of polygonal function	-
a _r	Rolling resistance force of front wheel	N
A	NG / biomethane quantity within the H ₂ NG mixture	per_cent vol.
b	Coefficient of polygonal function	-
b _r	Coefficient of aerodynamic function	N/(km/h) ²
c	Coefficient of polygonal function	-
C _{CO}	Concentration of carbon monoxide	ppm
CCO ₂	Concentration of CO ₂ in the diluted exhaust gas contained in the sampling bag	percent vol.
C _{COcorr}	Corrected concentration of carbon monoxide	percent vol.
CO _{2c}	Carbon dioxide concentration of diluted gas, corrected to take account of diluent air	percent
CO _{2d}	Carbon dioxide concentration in the sample of diluent air collected in bag B	percent
CO _{2e}	Carbon dioxide concentration in the sample of diluent air collected in bag A	percent
CO _{2m}	Mass of carbon dioxide emitted during the test part	mg/km
CO _c	Carbon monoxide concentration of diluted gas, corrected to take account of diluent air	ppm
CO _d	Carbon monoxide concentration in the sample of diluent air, collected in bag B	ppm
CO _e	Carbon monoxide concentration in the sample of diluent air, collected in bag A	ppm
CO _m	Mass of carbon monoxide emitted during the test part	mg/km
CH ₂	Concentration of hydrogen in the diluted exhaust gas contained in sampling bag	ppm
CH _{2O}	Concentration of H ₂ O in the diluted exhaust gas contained in the sampling bag	percent vol.
CH _{2O-DA}	Concentration of H ₂ O in the air used for dilution	percent vol.
CH _C	Concentration of HC in the diluted exhaust gas contained in the sampling bag	ppm (carbon equivalent)
d ₀	Standard ambient relative air density	-
d _{CO}	Density of carbon monoxide	mg/cm ³
d _{CO₂}	Density of carbon dioxide	g/dm ³
d _{HC}	Density of hydrocarbon	mg/cm ³
D _{av}	Average distance between two battery recharges	km
D _e	Electric range of the vehicle	km
DiF	Dilution factor	-

<i>Symbol</i>	<i>Definition</i>	<i>Unit</i>
DOVC	Distance from externally chargeable vehicle	km
S / d	Distance driven in a cycle part	km
d _{NOx}	Density of nitrogen oxide	mg/m ³
d _T	Relative air density under test condition	-
Δt	Coast-down time	s
Δt _{ai}	Coast-down time measured in the first road test	s
Δt _{bi}	Coast-down time measured in the second road test	s
ΔT _E	Coast-down time corrected for the inertia mass	s
Δt _E	Mean coast-down time on the chassis dynamometer at the reference vehicle speed	s
ΔT _i	Average coast-down time at specified vehicle speed	s
Δt _i	Coast-down time at corresponding s vehicle speed	s
ΔT _j	Average coast-down time at specified vehicle speed	s
ΔT _{road}	Target coast-down time	s
Δt _t	Mean coast-down time on the chassis dynamometer without absorption	s
Δv	Coast-down vehicle speed interval (2Δv = v1 – v2)	km/h
ε	Chassis dynamometer setting error	percent
F	Running resistance force	N
F*	Target running resistance force	N
F*(v0)	Target running resistance force at reference vehicle speed on chassis dynamometer	N
F*(vi)	Target running resistance force at specified vehicle speed on chassis dynamometer	N
f* ₀	Corrected rolling resistance in the standard ambient condition	N
f* ₂	Corrected coefficient of aerodynamic drag in the standard ambient condition	N/(km/h) ²
F* _j	Target running resistance force at specified vehicle speed	N
f ₀	Rolling resistance	N
f ₂	Coefficient of aerodynamic drag	N/(km/h) ²
F _E	Set running resistance force on the chassis dynamometer	N
F _{E(v0)}	Set running resistance force at the reference s vehicle speed on the chassis dynamometer	N
F _{E(v2)}	Set running resistance force at the specified vehicle speed on the chassis dynamometer	N
F _f	Total friction loss	N
F _{f(v0)}	Total friction loss at the reference vehicle speed	N
F _j	Running resistance force	N
F _{j(v0)}	Running resistance force at the reference vehicle speed	N
F _{pau}	Braking force of the power absorbing unit	N
F _{pau(v0)}	Braking force of the power absorbing unit at the reference vehicle speed	N
F _{pau(vj)}	Braking force of the power absorbing unit at the specified vehicle	N

<i>Symbol</i>	<i>Definition</i>	<i>Unit</i>
	speed	
F_T	Running resistance force obtained from the running resistance table	N
H	Absolute humidity	g of water / kg of dry air
HC_c	Concentration of diluted gases expressed in the carbon equivalent, corrected to take account of diluent air	ppm
HC_d	Concentration of hydrocarbons expressed in the carbon equivalent, in the sample of diluent air collected in bag B	ppm
HC_e	Concentration of hydrocarbons expressed in the carbon equivalent, in the sample of diluent air collected in bag A	ppm
HC_m	Mass of hydrocarbon emitted during the test part	mg/km
i	gear number	-
K_0	Temperature correction factor for rolling resistance	-
K_h	Humidity correction factor	-
L	Approval limit values of gaseous pollutant emission	mg/km
m	Test vehicle mass	kg
m_a	Actual mass of the test vehicle	kg
m_{corr}	PM mass corrected for buoyancy	mg
m_{fi}	Flywheel equivalent inertia mass	kg
m_i	Equivalent inertia mass	kg
m_{mix}	molar mass of air in balance environment (28.836 gmol ⁻¹)	gmol ⁻¹
m_r	Equivalent inertia mass of all the wheels	kg
m_{ri}	Equivalent inertia mass of all the rear wheel and vehicle parts rotating with wheel	kg
m_k	m_k is unladen mass of the vehicle	
m_{ref}	m_{ref} is reference mass of the vehicle	kg
m_{rid}	Rider mass	kg
m_{uncorr}	PM mass uncorrected for buoyancy	mg
M_i	Mass emission of the pollutant i in mg/km	mg
M_{2i}	Average mass emission of the pollutant i with an electrical energy/power storage device in minimum state of charge (maximum discharge of capacity)	mg/km
M_{1i}	Average mass emission of the pollutant i with a fully charged electrical energy/power storage device	mg/km
M_p	Particulate mass emission	mg/km
n	Engine speed	min ⁻¹
n	Number of data regarding the emission or the test	-
N	Number of revolution made by pump P	-
nd_{vi}	Ratio between engine speed in min ⁻¹ and vehicle speed in km/h in gear " i "	-
ng	Number of forward gears	-
n_{idle}	Idling engine speed	min ⁻¹
$n_{max_acc(1)}$	Upshift engine speed from gear 1 to gear 2 during acceleration	min ⁻¹

<i>Symbol</i>	<i>Definition</i>	<i>Unit</i>
	phases	
$n_{\max_acc(i)}$	Up shift engine speed from gear i to gear $i+1$ during acceleration phases, $i>1$	min^{-1}
$n_{\min_acc(i)}$	Minimum engine speed for cruising or deceleration in gear 1	min^{-1}
NO_{xc}	Nitrogen oxide concentration of diluted gases, corrected to take account of diluent air	ppm
NO_{xd}	Nitrogen oxide concentration in the sample of diluent air collected in bag B	ppm
NO_{xe}	Nitrogen oxide concentration in the sample of diluent air collected in bag A	ppm
NO_{xm}	Mass of nitrogen oxides emitted during the test part	mg/km
p_0	Standard ambient pressure	kPa
p_a	Ambient/atmospheric pressure	kPa
p_{abs}	absolute pressure in balance environment	
p_d	Saturated pressure of water at the test temperature	kPa
p_i	Average under-pressure during the test part in the section of pump P	kPa
p_T	Mean ambient pressure during the test	kPa
P_n	Rated power	kW
Q	Electric energy balance	Ah
ρ_0	Standard relative ambient air volumetric mass	mg/cm^3
ρ_{air}	density of air in balance environment	mg/cm^3
ρ_{weight}	density of calibration weight used to span balance	mg/cm^3
ρ_{media}	density of PM sample medium (filter) with filter medium Teflon coated glass fibre (e.g. TX40): $\rho_{\text{media}} = 2.300 \text{ kg}/\text{m}^3$	mg/cm^3
$r(i)$	Gear ratio in gear i	-
R	molar gas constant ($8.314 \text{ Jmol}^{-1}\text{K}^{-1}$)	$\text{Jmol}^{-1}\text{K}^{-1}$
R_f	Response factor to calibrate HC analyser	-
R_F	Final test result of pollutant emissions, carbon dioxide emission or fuel consumption	mg/km $\text{g}/\text{km}, 1/100\text{km}$
R_1	Test results of pollutant emissions, carbon dioxide emission or fuel consumption for cycle part 1 with cold start	mg/km $\text{g}/\text{km}, 1/100\text{km}$
R_2	Test results of pollutant emissions, carbon dioxide emission or fuel consumption for cycle part 2 with warm condition	mg/km $\text{g}/\text{km}, 1/100\text{km}$
R_3	Test results of pollutant emissions, carbon dioxide emission or fuel consumption for cycle part 1 with warm condition	mg/km $\text{g}/\text{km}, 1/100\text{km}$
R_{i1}	First type I test results of pollutant emissions	mg/km
R_{i2}	Second type I test results of pollutant emissions	mg/km
R_{i3}	Third type I test results of pollutant emissions	mg/km
RS	Reduced speed	-
$RST25$	Reduced speed truncated at 25km/h	-
$RST45$	Reduced speed truncated at 45km/h	-
s	Rated engine speed	min^{-1}

<i>Symbol</i>	<i>Definition</i>	<i>Unit</i>
S	Accumulated distance in test cycle(paragraph 5.1.1.3 of Annex 1)	km
T _{amb}	absolute ambient temperature of balance environment	°C
T _C	Temperature of the coolant	°C
T _O	Temperature of the engine oil	°C
T _P	Temperature of the spark-plug seat/gasket	°C
T ₀	Standard ambient temperature	°C
T _P	Temperature of the diluted gases during the test part, measured in the intake section of pump P	°C
T _T	Mean ambient temperature during the test	°C
U	Relative humidity	percent
v	Specified vehicle speed	km/h
V	Total volume of diluted gas	m ³
v _{max}	Maximum design vehicle speed of test vehicle	km/h
v ₀	Reference vehicle speed	km/h
V ₀	Volume of gas displaced by pump P during one revolution	m ³ /rev.
v ₁	Vehicle speed at which the measurement of the coast-down time begins	km/h
v ₂	Vehicle speed at which the measurement of the coast-down time ends	km/h
v _i	Specified vehicle speed selected for the coast-down time measurement	km/h
w ₁	Weighting factor of cycle part 1 with cold start	-
w _{1warm}	Weighting factor of cycle part 1 with warm condition	-
w ₂	Weighting factor of cycle part 2 with warm condition	-
w ₃	Weighting factor of cycle part 3 with warm condition	-

Annex 4 - Appendix 2

Reference fuels

1. Specifications of reference fuels for testing vehicles in environmental tests, in particular for tailpipe and evaporative emissions testing
- 1.1. The following tables list the technical data on liquid reference fuels that Contracting Parties may require to be used for environmental performance testing of two-wheeled vehicles. These reference fuels were used to define the emission limits set out in paragraph 7. of this Regulation.

Table A4.App2/1
Type: Petrol E0 (nominal 90 RON)

<i>Fuel Property or Substance Name</i>	<i>Unit</i>	<i>Standard</i>		<i>Test method</i>
		<i>Minimum</i>	<i>Maximum</i>	
Research octane number, RON		90	92	JIS K2280
Motor octane number, MON		80	82	JIS K2280
Density	g/cm ³	0.72	0.77	JIS K2249
Vapour pressure	kPa	56	60	JIS K2258
Distillation:				
— 10 % distillation temperature	K (°C)	318 (45)	328 (55)	JIS K2254
— 50 % distillation temperature	K (°C)	363 (90)	373 (100)	JIS K2254
— 90 % distillation temperature	K (°C)	413 (140)	443 (170)	JIS K2254
— final boiling point	K (°C)		488 (215)	JIS K2254
— olefins	% v/v	15	25	JIS K2536-1
				JIS K2536-2
— aromatics	% v/v	20	45	JIS K2536-1
				JIS K2536-2
				JIS K2536-3
— benzene	% v/v		1.0	JIS K2536-2
				JIS K2536-3
				JIS K2536-4
				JIS K2536-2
Oxygen content		not to be detected		JIS K2536-4
				JIS K2536-6
Existent gum	mg/100ml		5	JIS K2261
Sulphur content	Wt ppm		10	JIS K2541-1
				JIS K2541-2
				JIS K2541-6
				JIS K2541-7
Lead content		not to be detected		JIS K2255
				JIS K2536-2
Ethanol		not to be detected		JIS K2536-4
				JIS K2536-6
Methanol				JIS K2536-2
				JIS K2536-4
				JIS K2536-5
				JIS K2536-6
				JIS K2536-2
MTBE		not to be detected		JIS K2536-4
				JIS K2536-5
				JIS K2536-6
Kerosene				JIS K2536-2
				JIS K2536-4

Table A4.App2/2
Type: Petrol E0 (nominal 95 RON)

Parameter	Unit	Limits ¹		Test method	Publication
		Minimum	Maximum		
Research octane number, RON		95.0		EN 25164	1993
Motor octane number, MON		85.0		EN 25163	1993
Density at 15 °C	kg/m ³	748	762	ISO 3675	1995
Reid vapour pressure	kPa	56.0	60.0	EN 12	1993
Distillation:					
- initial boiling point	°C	24	40	EN-ISO 3205	1988
- evaporated at 100 °C	per cent v/v	49.0	57.0	EN-ISO 3205	1988
- evaporated at 150 °C	per cent v/v	81.0	87.0	EN-ISO 3205	1988
- final boiling point	°C	190	215	EN-ISO 3205	1988
Residue	per cent		2	EN-ISO 3205	1988
Hydrocarbon analysis:					
- olefins	per cent v/v		10	ASTM D 1319	1995
- aromatics ³	per cent v/v	28.0	40.0	ASTM D 1319	1995
- benzene	per cent v/v		1.0	pr. EN 12177	1998 ²
- saturates	per cent v/v		balance	ASTM D 1319	1995
Carbon/hydrogen ratio		report	report		
Oxidation stability ⁴	min.	480		EN-ISO 7536	1996
Oxygen content ⁵	per cent m/m		2.3	EN 1601	1997 ²
Existent gum	mg/ml		0.04	EN-ISO 6246	1997 ²
Sulphur content ⁶	mg/kg		100	pr.EN-ISO/DIS 14596	1998 ²
Copper corrosion at 50 °C			1	EN-ISO 2160	1995
Lead content	g/l		0.005	EN 237	1996
Phosphorus content	g/l		0.0013	ASTM D 3231	1994

¹ The values quoted in the specification are "true values". In establishment of their limit values the terms of ISO 4259 "Petroleum products - Determination and application of precision data in relation to methods of test," have been applied and in fixing a minimum value, a minimum difference of 2R above zero has been taken into account; in fixing a maximum and minimum value, the minimum difference is 4R (R = reproducibility).

Notwithstanding this measure, which is necessary for statistical reasons, the manufacturer of fuels should nevertheless aim at a zero value where the stipulated maximum value is 2R and at the mean value in the case of quotations of maximum and minimum limits. Should it be necessary to clarify the question as to whether a fuel meets the requirements of the specifications, the terms of ISO 4259 should be applied.

- ² The month of publication will be completed in due course.
- ³ The reference fuel used shall have a maximum aromatics content of 35 per cent v/v.
- ⁴ The fuel may contain oxidation inhibitors and metal deactivators normally used to stabilise refinery petrol streams, but detergent/dispersive additives and solvent oils shall not be added.
- ⁵ The actual oxygen content of the fuel for the tests shall be reported. In addition the maximum oxygen content of the reference fuel shall be 2.3 per cent.
- ⁶ The actual sulphur content of the fuel used for the tests shall be reported. In addition the reference fuel shall have a maximum sulphur content of 50 ppm.

Table A4.App2/3
Type: Petrol E0 (nominal 100 RON)

<i>Fuel Property or Substance Name</i>	<i>Unit</i>	<i>Standard</i>		<i>Test method</i>
		<i>Minimum</i>	<i>Maximum</i>	
Research octane number, RON		99	101	JIS K2280
Motor octane number, MON		86	88	JIS K2280
Density	g/cm ³	0.72	0.77	JIS K2249
Vapour pressure	kPa	56	60	JIS K2258
Distillation:				
— 10 % distillation temperature	K (°C)	318 (45)	328 (55)	JIS K2254
— 50 % distillation temperature	K (°C)	363 (90)	373 (100)	JIS K2254
— 90 % distillation temperature	K (°C)	413 (140)	443 (170)	JIS K2254
— final boiling point	K (°C)		488 (215)	JIS K2254
— olefins				JIS K2536-1
	% v/v	15	25	JIS K2536-2
— aromatics				JIS K2536-1
	% v/v	20	45	JIS K2536-3
— benzene				JIS K2536-2
	% v/v		1.0	JIS K2536-4
Oxygen content				JIS K2536-2
				JIS K2536-4
		not to be detected		JIS K2536-6
Existent gum	mg/100ml		5	JIS K2261
Sulphur content				JIS K2541-1
				JIS K2541-2
				JIS K2541-6
	Wt ppm		10	JIS K2541-7
Lead content		not to be detected		JIS K2255
Ethanol				JIS K2536-2
				JIS K2536-4
		not to be detected		JIS K2536-6
Methanol				JIS K2536-2
				JIS K2536-4
				JIS K2536-5
		not to be detected		JIS K2536-6
MTBE				JIS K2536-2
				JIS K2536-4
				JIS K2536-5
		not to be detected		JIS K2536-6
Kerosene				JIS K2536-2
		not to be detected		JIS K2536-4

Table A4.App2/4
Type: Petrol E5 (nominal 95 Octane)

Parameter	Unit	Limits ¹		Test method
		Minimum	Maximum	
Research octane number, RON		95.0	-	EN 25164 / prEN ISO 5164
Motor octane number, MON		85.0	-	EN 25163 / prEN ISO 5163
Density at 15 °C	kg/m ³	743	756	EN ISO 3675 / EN ISO 12185
Vapour pressure	kPa	56.0	60.0	EN ISO 13016-1 (DVPE)
Water content	% v/v		0.015	ASTM E 1064
Distillation:				
– Evaporated at 70 °C	% v/v	24.0	44.0	EN ISO 3405
– Evaporated at 100 °C	% v/v	48.0	60.0	EN ISO 3405
– Evaporated at 150 °C	% v/v	82.0	90.0	EN ISO 3405
– Final boiling point	°C	190	210	EN ISO 3405
Residue	% v/v	—	2.0	EN ISO 3405
Hydrocarbon analysis:				
– Olefins	% v/v	3.0	13.0	ASTM D 1319
– Aromatics	% v/v	29.0	35.0	ASTM D 1319
– Benzene	% v/v	-	1.0	EN 12177
– Saturates	% v/v		Report	ASTM 1319
Carbon/hydrogen ratio			Report	
Carbon/oxygen ratio			Report	
Induction period ²	minutes	480	-	EN ISO 7536
Oxygen content ⁴	% m/m		Report	EN 1601
Existent gum	mg/ml	-	0.04	EN ISO 6246
Sulphur content ³	mg/kg	-	10	EN ISO 20846 / EN ISO 20884
Copper corrosion		-	Class 1	EN ISO 2160
Lead content	mg/l	-	5	EN 237
Phosphorus content	mg/l	-	1.3	ASTM D 3231
Ethanol ⁵	% v/v	4.7	5.3	EN 1601 / EN 13132

¹ The values quoted in the specifications are "true values". For establishing the limit values, the terms of ISO 4259:2006 (Petroleum products — Determination and application of precision data in relation to methods of test) have been applied and for fixing a minimum value, a minimum difference of 2R above zero has been taken into account; for fixing a maximum and minimum value, the minimum difference is 4R (R = reproducibility).

Notwithstanding this measure, which is necessary for technical reasons, the fuel manufacturer shall nevertheless aim at a zero value where the stipulated maximum value is 2R and at the mean value when quoting maximum and minimum limits. Should it be necessary to clarify whether a fuel meets the requirements of the specifications, the terms of ISO 4259:2006 shall be applied.

² The fuel may contain oxidation inhibitors and metal deactivators normally used to stabilise refinery petrol streams, but detergent/dispersive additives and solvent oils shall not be added.

³ The actual sulphur content of the fuel used for the type I test shall be reported.

- 4 Ethanol meeting the specification of prEN 15376 is the only oxygenate that shall be intentionally added to the reference fuel.
- 5 There shall be no intentional addition to this reference fuel of compounds containing phosphorus, iron, manganese or lead.

Table A4.App2/5
Type: Diesel fuel (B0)

Parameter	Unit	Limits ¹		Test method	Publication
		Minimum	Maximum		
Cetane number ²		52.0	54.0	EN-ISO 5165	1998 ³
Density at 15°C	kg/m ³	833	837	EN-ISO 3675	1995
Distillation:					
- 50 per cent point	°C	245	-	EN-ISO 3405	1988
- 95 per cent	°C	345	350	EN-ISO 3405	1988
- final boiling point	°C	-	370	EN-ISO 3405	1988
Flash point	°C	55	-	EN 22719	1993
CFPP	°C	-	-5	EN 116	1981
Viscosity at 40 °C	mm ² /s	2.5	3.5	EN-ISO 3104	1996
Polycyclic aromatic hydrocarbons	per cent m/m	3	6.0	IP 391	1995
Sulphur content ⁴	mg/kg	-	300	pr. EN-ISO/DIS 14596	1998 ³
Copper corrosion		-	1	EN-ISO 2160	1995
Conradson carbon residue (10 per cent DR)	per cent m/m	-	0.2	EN-ISO 10370	1995
Ash content	per cent m/m	-	0.01	EN-ISO 6245	1995
Water content	per cent m/m	-	0.05	EN-ISO 12937	1998 ³
Neutralisation (strong acid) number	mg KOH/g	-	0.02	ASTM D 974-95	1998 ³
Oxidation stability ⁵	mg/ml	-	0.025	EN-ISO 12205	1996

¹ The values quoted in the specification are "true values". In establishment of their limit values the terms of ISO 4259 "Petroleum products - Determination and application of precision data in relation to methods of test" have been applied and in fixing a minimum value, a minimum difference of 2R above zero has been taken into account; in fixing a maximum and minimum value, the minimum difference is 4R (R = reproducibility).

Notwithstanding this measure, which is necessary for statistical reasons, the manufacturer of fuels should nevertheless aim at a zero value where the stipulated maximum value is 2R and at the mean value in the case of quotations of maximum and minimum limits. Should it be necessary to clarify the question as to whether a fuel meets the requirements of the specifications, the terms of ISO 4259 should be applied.

² The range for the Cetane number is not in accordance with the requirement of a minimum range of 4R. However, in the case of a dispute between fuel supplier and fuel user, the terms in ISO 4259 may be used to resolve such disputes provided replicate measurements, of sufficient number to archive the necessary precision, are made in preference to single determinations.

³ The month of publication will be completed in due course.

⁴ The actual sulphur content of the fuel used for the Type I test shall be reported. In addition the reference fuel shall have a maximum sulphur content of 50 ppm.

⁵ Even though oxidation stability is controlled, it is likely that shelf life will be limited. Advice should be sought from the supplier as to storage conditions and life.

Table A4.App2/6
Type: Diesel fuel (B5)

Parameter	Unit	Limits ¹		Test method
		Minimum	Maximum	
Cetane number ²		52.0	54.0	EN ISO 5165
Density at 15 °C	kg/m ³	833	837	EN ISO 3675
Distillation:				
- 50 % point	°C	245	-	EN ISO 3405
- 95 % point	°C	345	350	EN ISO 3405
- Final boiling point	°C	-	370	EN ISO 3405
Flash point	°C	55	-	EN 22719
CFPP	°C	-	- 5	EN 116
Viscosity at 40 °C	mm ² /s	2.3	3.3	EN ISO 3104
Polycyclic aromatic hydrocarbons	% m/m	2.0	6.0	EN 12916
Sulphur content ³	mg/kg	-	10	EN ISO 20846 / EN ISO 20884
Copper corrosion		-	Class 1	EN ISO 2160
Conradson carbon residue (10 % DR)	% m/m	-	0.2	EN ISO 10370
Ash content	% m/m	-	0.01	EN ISO 6245
Water content	% m/m	-	0.02	EN ISO 12937
Neutralisation (strong acid) number	mg KOH/g	-	0.02	ASTM D 974
Oxidation stability ⁴	mg/ml	-	0.025	EN ISO 12205
Lubricity (HFRR wear scan diameter at 60 °C)	µm	-	400	EN ISO 12156
Oxidation stability at 110 °C ^{4,6}	h	20.0		EN 14112
FAME ⁵	% v/v	4.5	5.5	EN 14078

¹ The values quoted in the specifications are "true values". For establishing the limit values, the terms of ISO 4259:2006 (Petroleum products — Determination and application of precision data in relation to methods of test) have been applied and for fixing a minimum value, a minimum difference of 2R above zero has been taken into account; for fixing a maximum and minimum value, the minimum difference is 4R (R = reproducibility).

Notwithstanding this measure, which is necessary for technical reasons, the fuel manufacturer shall nevertheless aim at a zero value where the stipulated maximum value is 2R and at the mean value when quoting maximum and minimum limits. Should it be necessary to clarify whether a fuel meets the requirements of the specifications, the terms of ISO 4259:2006 shall be applied.

² The range for Cetane number is not in accordance with the requirements of a minimum range of 4R. However, the terms of ISO 4259:2006 may be used to resolve disputes between fuel supplier and fuel user, provided replicate measurements, of sufficient number to archive the necessary precision, are taken in preference to single determinations.

³ The actual sulphur content of the fuel used for the type I test shall be reported.

⁴ Even though oxidation stability is controlled, it is likely that shelf life will be limited. Advice shall be sought from the supplier as to storage conditions and shelf life.

⁵ FAME content to meet the specification of EN 14214.

⁶ Oxidation stability can be demonstrated by EN ISO 12205:1995 or EN 14112:1996. This requirement shall be reviewed based on CEN/TC19 evaluations of oxidative stability performance and test limits.

Table A4.App2/7
Type: Diesel fuel (B7)

<i>Parameter</i>	<i>Unit</i>	<i>Limits¹</i>		<i>Test method</i>
		<i>Minimum</i>	<i>Maximum</i>	
Cetane Index		46.0		EN ISO 4264
Cetane number ²		52.0	56.0	EN ISO 5165
Density at 15 °C	kg/m ³	833.0	837.0	EN ISO 12185
Distillation:				
— 50 % point	°C	245.0	—	EN ISO 3405
— 95 % point	°C	345.0	360.0	EN ISO 3405
— final boiling point	°C	—	370.0	EN ISO 3405
Flash point	°C	55	—	EN ISO 2719
Cloud point	°C	—	-10	EN 23015
Viscosity at 40 °C	mm ² /s	2.30	3.30	EN ISO 3104
Polycyclic aromatic hydrocarbons	% m/m	2.0	4.0	EN 12916
Sulphur content				
	mg/kg	—	10.0	EN ISO 20846 EN ISO 20884
Copper corrosion 3 hrs, 50 °C		—	Class 1	EN ISO 2160
Conradson carbon residue (10 % DR)	% m/m	—	0.20	EN ISO 10370
Ash content	% m/m	—	0.010	EN ISO 6245
Total contamination	mg/kg	—	24	EN 12662
Water content	mg/kg	—	200	EN ISO 12937
Acid number	mg KOH/g	—	0.1	EN ISO 6618
Lubricity (HFRR wear scan diameter at 60 °C)				
	µm	—	400	EN ISO 12156
Oxidation stability at 110 °C ³	h	20.0		EN 15751
FAME ⁴	% v/v	6.0	7.0	EN 14078

¹ The values quoted in the specifications are 'true values'. In establishment of their limit values the terms of ISO 4259 Petroleum products – Determination and application of precision data in relation to methods of test have been applied and in fixing a minimum value, a minimum difference of 2R above zero has been taken into account; in fixing a maximum and minimum value, the minimum difference is 4R (R = reproducibility). Notwithstanding this measure, which is necessary for technical reasons, the manufacturer of fuels shall nevertheless aim at a zero value where the stipulated maximum value is 2R and at the mean value in the case of quotations of maximum and minimum limits. Should it be necessary to clarify whether a fuel meets the requirements of the specifications, the terms of ISO 4259 shall be applied.

² The range for cetane number is not in accordance with the requirements of a minimum range of 4R. However, in the case of a dispute between fuel supplier and fuel user, the terms of ISO 4259 may be used to resolve such disputes provided replicate measurements, of sufficient number to archive the necessary precision, are made in preference to single determinations.

³ Even though oxidation stability is controlled, it is likely that shelf life will be limited. Advice shall be sought from the supplier as to storage conditions and life.

⁴ FAME content to meet the specification of EN 14214.

Annex 4 - Appendix 3

Test vehicle requirements for Test types I, II and VII

1. General
 - 1.1. All components of the test vehicle shall conform to those of the production series or, if the test vehicle is different from the production series, a full description shall be given in the test report. In selecting the test vehicle, the vehicle manufacturer and the technical service shall agree to the satisfaction of the approval authority / certification authority which tested parent vehicle is representative of the related vehicle propulsion unit family as laid down in Appendix 8 to Annex 4.
 - 1.2. Unless specified differently elsewhere within ~~the~~this UN GTR, the vehicle shall be used, adjusted, specified, maintained, fuelled and lubricated as it would be in the production series and as recommended to the user. Parts and consumables shall be used which are or will be commercially available and are permitted for use on the intended roads and for the atmospheric and road conditions experienced while under test.
 - 1.3. The lighting and signalling and auxiliary devices, except those required for the testing and usual daytime operation of the vehicle, shall be switched off.
 - 1.4. If the batteries are operated above the ambient temperature, the operator shall follow the procedure recommended by the vehicle manufacturer in order to keep the battery temperature in the normal operating range. The vehicle manufacturer shall be in a position to attest that the thermal management system of the battery is neither disabled nor reduced.
2. Run-in

The vehicle shall be presented in good mechanical condition, properly maintained and used. It shall have been run in and driven at least 1,000 km before the test. The engine, pollutant emission abatement equipment, drive train, and vehicle shall be properly run in, in accordance with the vehicle manufacturer's requirements.
3. Adjustments

The test vehicle shall be adjusted in accordance with the vehicle manufacturer's requirements, e.g. as regards the viscosity of the oils, or, if it differs from the production series, a full description shall be given in the test report. In case of a four by four drive, the axle to which the lowest torque is delivered may be deactivated in order to allow testing on a standard chassis dynamometer.
4. Test mass and load distribution

The test mass, including the masses of the rider and the instruments, shall be measured before the beginning of the tests. The load shall be distributed across the wheels in conformity with the vehicle manufacturer's instructions.
5. Tyres

The tyres shall be of a type specified as original equipment by the vehicle manufacturer. The tyre pressures shall be adjusted to the specifications of the vehicle manufacturer or to those where the speed of the vehicle during the road test and the vehicle speed obtained on the chassis dynamometer are equalised. The tyre pressure shall be indicated in the test report.

Annex 4 - Appendix 4

Classification of equivalent inertia mass and running resistance, applicable for two-wheeled vehicles (table method)

1. The chassis dynamometer can be set using the running resistance table instead of the running resistance force obtained by the coast-down methods set out in Appendix 5 or Appendix 6 to Annex 4. In this table method, the chassis dynamometer shall be set by the reference mass regardless of particular light motor vehicle characteristics.
2. The flywheel equivalent inertia mass m_{fi} shall be the equivalent inertia mass m_i specified in paragraph 3.4.6.1.2. of Annex 1. The chassis dynamometer shall be set by the rolling resistance of front wheel "a" and the aerodynamic drag coefficient "b" specified in the following table.

Table A4.App4/1

Classification of equivalent inertia mass and running resistance used for two-wheeled vehicles.

Reference mass m_{ref} (kg)	Equivalent inertia mass m_i (kg)	Rolling resistance of front wheel a (N)	Aero drag coefficient b (N/(km/h) ²)
0 < m_{ref} ≤ 25	20	1.8	0.0203
25 < m_{ref} ≤ 35	30	2.6	0.0205
35 < m_{ref} ≤ 45	40	3.5	0.0206
45 < m_{ref} ≤ 55	50	4.4	0.0208
55 < m_{ref} ≤ 65	60	5.3	0.0209
65 < m_{ref} ≤ 75	70	6.8	0.0211
75 < m_{ref} ≤ 85	80	7.0	0.0212
85 < m_{ref} ≤ 95	90	7.9	0.0214
95 < m_{ref} ≤ 105	100	8.8	0.0215
105 < m_{ref} ≤ 115	110	9.7	0.0217
115 < m_{ref} ≤ 125	120	10.6	0.0218
125 < m_{ref} ≤ 135	130	11.4	0.0220
135 < m_{ref} ≤ 145	140	12.3	0.0221
145 < m_{ref} ≤ 155	150	13.2	0.0223
155 < m_{ref} ≤ 165	160	14.1	0.0224
165 < m_{ref} ≤ 175	170	15.0	0.0226
175 < m_{ref} ≤ 185	180	15.8	0.0227
185 < m_{ref} ≤ 195	190	16.7	0.0229
195 < m_{ref} ≤ 205	200	17.6	0.0230
205 < m_{ref} ≤ 215	210	18.5	0.0232
215 < m_{ref} ≤ 225	220	19.4	0.0233
225 < m_{ref} ≤ 235	230	20.2	0.0235
235 < m_{ref} ≤ 245	240	21.1	0.0236

245 < mref ≤ 255	250	22.0	0.0238
255 < mref ≤ 265	260	22.9	0.0239
265 < mref ≤ 275	270	23.8	0.0241
275 < mref ≤ 285	280	24.6	0.0242
285 < mref ≤ 295	290	25.5	0.0244
295 < mref ≤ 305	300	26.4	0.0245
305 < mref ≤ 315	310	27.3	0.0247
315 < mref ≤ 325	320	28.2	0.0248
325 < mref ≤ 335	330	29.0	0.0250
335 < mref ≤ 345	340	29.9	0.0251
345 < mref ≤ 355	350	30.8	0.0253
355 < mref ≤ 365	360	31.7	0.0254
365 < mref ≤ 375	370	32.6	0.0256
375 < mref ≤ 385	380	33.4	0.0257
385 < mref ≤ 395	390	34.3	0.0259
395 < mref ≤ 405	400	35.2	0.0260
405 < mref ≤ 415	410	36.1	0.0262
415 < mref ≤ 425	420	37.0	0.0263
425 < mref ≤ 435	430	37.8	0.0265
435 < mref ≤ 445	440	38.7	0.0266
445 < mref ≤ 455	450	39.6	0.0268
455 < mref ≤ 465	460	40.5	0.0269
465 < mref ≤ 475	470	41.4	0.0271
475 < mref ≤ 485	480	42.2	0.0272
485 < mref ≤ 495	490	43.1	0.0274
495 < mref ≤ 505	500	44.0	0.0275
At every 10 kg	At every 10 kg	$a = 0.088 \times mi^*$	$b = 0.000015 \times mi^+ + 0.02^{**/}$

*/The value shall be rounded to one decimal place.

**/The value shall be rounded to four decimal places.

Annex 4 - Appendix 5

Road tests of two-wheeled vehicles equipped with one wheel on the driven axle for the determination of test bench settings.

1. Requirements for the rider
 - 1.1. The rider shall wear a well-fitting (one-piece) suit or similar clothing and a protective helmet, eye protection, boots and gloves.
 - 1.2. The rider, dressed and equipped as described in paragraph 1.1., shall have a mass of $75 \text{ kg} \pm 5 \text{ kg}$ and be $1.75 \text{ m} \pm 0.05 \text{ m}$ tall.
 - 1.3. The rider shall be seated on the seat provided, with his feet on the footrests and his arms extended normally. This position shall allow the rider to have proper control of the vehicle at all times during the tests.
2. Requirement for the road and ambient conditions
 - 2.1. The test road shall be flat, level, straight and smoothly paved. The road surface shall be dry and free of obstacles or wind barriers that might impede the measurement of the running resistance. The slope of the surface shall not exceed 0.5% between any two points at least 2 m apart.
 - 2.2. During data collecting periods, the wind shall be steady. The wind speed and the direction of the wind shall be measured continuously or with adequate frequency at a location where the wind force during coast-down is representative.
 - 2.3. The ambient conditions shall be within the following limits:
 - maximum wind speed: 3 m/s
 - maximum wind speed for gusts: 5 m/s
 - average wind speed, parallel: 3 m/s
 - average wind speed, perpendicular: 2 m/s
 - maximum relative humidity: 95%
 - air temperature: 5 °C to 35 °C
 - 2.4. Standard ambient conditions shall be as follows:
 - pressure, P_0 : 101.3 kPa
 - temperature, T_0 : 20 °C
 - relative air density, d_0 : 0.9197
 - air volumetric mass, ρ_0 : 1.189 kg/m³
 - 2.5. The relative air density when the vehicle is tested, calculated in accordance with the (1) shall not differ by more than 7.5% from the air density under the standard conditions.
 - 2.6. The relative air density, d_T , shall be calculated using the following formula:

$$d_T = d_0 \cdot \frac{p_T}{p_0} \cdot \frac{T_0}{T_T} \quad (1)$$

where:

d_0 is the reference relative air density at reference conditions (0.9197)

p_T is the mean ambient pressure during the test, in kPa;

p_0 is the reference ambient pressure (101.3 kPa);

T_T is the mean ambient temperature during test, in K;

T_0 is the reference ambient temperature 20 °C.

3. Condition of the test vehicle
 - 3.1. The test vehicle shall comply with the conditions described in paragraph 1.1. of Appendix 6 to Annex 4.
 - 3.2. When installing the measuring instruments on the test vehicle, care shall be taken to minimise their effects on the distribution of the load across the wheels. When installing the vehicle speed sensor outside the vehicle, care shall be taken to minimise the additional aerodynamic loss.
 - 3.3. Checks

The following checks shall be made in accordance with the manufacturer's specifications for the use considered: wheels, wheel rims, tyres (make, type and pressure), front axle geometry, brake adjustment (elimination of parasitic drag), lubrication of front and rear axles, adjustment of the suspension and vehicle ground clearance, etc. Check that during freewheeling, there is no electrical braking.
4. Specified coast-down vehicle speeds
 - 4.1. The coast-down times shall be measured between v_1 and v_2 as specified in Table A4.App5/1, depending on the vehicle class as defined in paragraph 3. of this Regulation.

Table A4.App5/1

Coast-down time measurement beginning vehicle speed and ending vehicle speed

<i>Motorcycle Class</i>	<i>Specified target vehicle speed v_j in (km/h)</i>	<i>v_1 in (km/h)</i>	<i>v_2 in (km/h)</i>
0 - 1	20	25	15
	15	20	10
	10	15	5
0-2	40	45	35
	30	35	25
	20	25	15
1	50	55	45
	40	45	35
	30	35	25
	20	25	15
2	100	110	90
	80*	90	70
	60*	70	50
	40*	45	35
	20*	25	15
3	120	130	110
	100*	110	90
	80*	90	70
	60*	70	50
	40*	45	35
	20*	25	15

* Specific coast down speeds for motorcycles that have to drive part in the “reduced speed” version

- 4.2. When the running resistance is verified in accordance with paragraph 4.2.2.3.2. of Annex 1, the test can be executed at $v_j \pm 5$ km/h, provided that the coast-down time accuracy referred to in paragraph 3.4.7. of Annex 1 is ensured.
5. Measurement of coast-down time
- 5.1. After a warm-up period, the vehicle shall be accelerated to the coast-down starting vehicle speed, at which point the coast-down measurement procedure shall be started.
- 5.2. Since shifting the transmission to neutral can be dangerous and complicated by the construction of the vehicle, the coasting may be performed solely with the clutch disengaged. Vehicles that have no means of cutting the transmitted engine power off prior to coasting may be towed until they reach the coast-down starting vehicle speed. When the coast-down test is reproduced on the chassis dynamometer, the drive train and clutch shall be in the same condition as during the road test.
- 5.3. The vehicle steering shall be altered as little as possible and the brakes shall not be operated until the end of the coast-down measurement period.

- 5.4. The first coast-down time Δt_{ai} corresponding to the specified vehicle speed v_j shall be measured as the time taken for the vehicle to decelerate from $v_j + \Delta v$ to $v_j - \Delta v$.
- 5.5. The procedure described in paragraphs 5.1. to 5.4. shall be repeated in the opposite direction to measure the second coast-down time Δt_{bi} .
- 5.6. The average Δt_i of the two coast-down times Δt_{ai} and Δt_{bi} shall be calculated using the following equation:

$$\Delta t_i = \frac{\Delta t_{ai} + \Delta t_{bi}}{2} \quad (2)$$

- 5.7. At least four tests shall be performed and the average coast-down time ΔT_j calculated using the following equation:

$$\Delta t_j = \frac{1}{n} \cdot \sum_{i=1}^n \Delta t_i \quad (3)$$

- 5.8. Tests shall be performed until the statistical accuracy P is equal to or less than 3% ($P \leq 3\%$).

The statistical accuracy P (as a percentage) is calculated using the following equation:

$$P = \frac{t \cdot s}{\sqrt{n}} \cdot \frac{100}{\Delta t_j} \quad (4)$$

where:

t is the coefficient given in Table A4.App5/2;;

s is the standard deviation given by the following formula:

$$s = \sqrt{\frac{\sum_{i=1}^n (\Delta t_i - \Delta t_j)^2}{n - 1}} \quad (5)$$

where:

n is the number of tests.

Table A4.App5/2
Coefficients for statistical accuracy

n	t	$\frac{t}{\sqrt{n}}$
4	3.2	1.60
5	2.8	1.25
6	2.6	1.06
7	2.5	0.94
8	2.4	0.85
9	2.3	0.77
10	2.3	0.73
11	2.2	0.66
12	2.2	0.64
13	2.2	0.61
14	2.2	0.59
15	2.2	0.57

- 5.9. In repeating the test, care shall be taken to start the coast-down after observing the same warm-up procedure and at the same coast-down starting vehicle speed.
- 5.10. The coast-down times for multiple specified vehicle speeds may be measured in a continuous coast-down. In this case, the coast-down shall be repeated after observing the same warm-up procedure and at the same coast-down starting vehicle speed.
- 5.11. The coast-down time shall be recorded. A specimen record form is given in the Regulation for administrative requirements.

6. Data processing

6.1. Calculation of running resistance force

- 6.1.1. The running resistance force F_j , in Newton, at the specified vehicle speed v_j shall be calculated using the following equation:

$$F_j = \frac{1}{3.6} \cdot m_{ref} \cdot \frac{2 \cdot \Delta v}{\Delta t} \quad (6)$$

where:

m_{ref} = reference mass (kg);

Δv = vehicle speed deviation (km/h);

Δt = calculated coast down time difference (s);

- 6.1.2. The running resistance force F_j shall be corrected in accordance with paragraph 6.2.

6.2. Running resistance curve fitting

The running resistance force F shall be calculated as follows:

- 6.2.1. The following equation shall be fitted to the data set of ~~F_j and v_j~~ and F_j obtained in paragraphs 4. and ~~6.1.~~ ~~and 4.~~ respectively by linear regression to determine the coefficients f_0 and f_2 ,

$$F = f_0 + f_2 \times v^2 \quad (7)$$

- 6.2.2. The coefficients f_0 and f_2 thus determined shall be corrected to the standard ambient conditions using the following equations:

$$f_0^* = f_0 [1 + K_0 (T_T - T_0)] \quad (8)$$

$$f_2^* = f_2 \times \frac{T_T}{T_0} \times \frac{p_0}{p_T} \quad (9)$$

where:

K_0 shall be determined on the basis of the empirical data for the particular vehicle and tyre tests or shall be assumed as follows, if the information is not available: $K_0 = 6 \cdot 10^{-3} \text{ K}^{-1}$.

- 6.3. Target running resistance force F^* for chassis dynamometer setting

The target running resistance force $F^*(v_0)$ on the chassis dynamometer at the reference vehicle speed v_0 , in Newton, is determined using the following equation:

$$F^*(v_0) = f_0^* + f_2^* \times v_0^2 \quad (10)$$

Annex 4 - Appendix 6

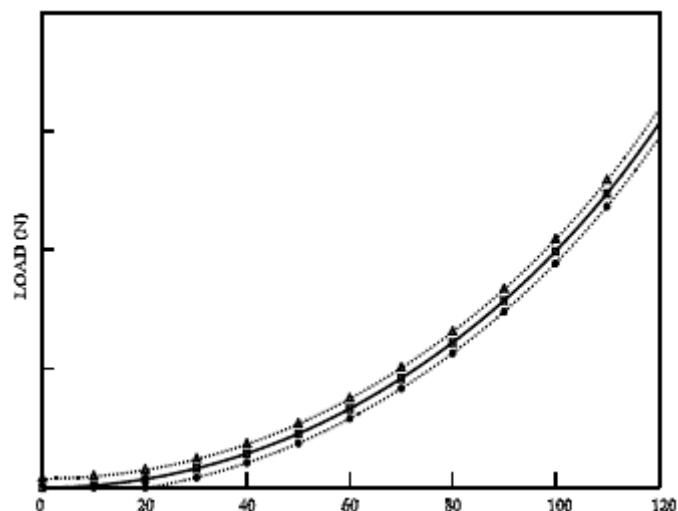
Chassis dynamometer system

1. Specification
 - 1.1. General requirements
 - 1.1.1. The dynamometer shall be capable of simulating road load within one of the following classifications:
 - (a) dynamometer with fixed load curve, i.e. a dynamometer whose physical characteristics provide a fixed load curve shape;
 - (b) dynamometer with adjustable load curve, i.e. a dynamometer with at least two road load parameters that can be adjusted to shape the load curve.
 - 1.1.2. Dynamometers with electric inertia simulation shall be demonstrated to be equivalent to mechanical inertia systems. The means by which equivalence is established are described in paragraph 4.
 - 1.1.3. Where the total resistance to progress on the road cannot be reproduced on the chassis dynamometer between vehicle speeds of 10 km/h and 120 km/h, it is recommended that a chassis dynamometer with the characteristics defined in paragraph 1.2. should be used.
 - 1.1.3.1. The load absorbed by the brake and the chassis dynamometer (internal frictional effects) between the vehicle speeds of 0 and 120 km/h is as follows:

$$F = (a + b \cdot v^2) \pm 0.1 \cdot F_{80} \text{ (without being negative)} \quad (1)$$
 where:
 - F = total load absorbed by the chassis dynamometer (N);
 - a = value equivalent to rolling resistance (N);
 - b = value equivalent to coefficient of air resistance (N/(km/h)²);
 - v = vehicle speed (km/h);
 - F₈₀ = load at 80 km/h (N). Alternatively for vehicles that cannot attain 80 km/h the load at the reference vehicle speeds v_j in Table A4.App5/1 in Appendix 5 to Annex 4 as applicable shall be determined.
 - 1.2. Specific requirements
 - 1.2.1. The setting of the dynamometer shall not be affected by the lapse of time. It shall not produce any vibrations perceptible to the vehicle and likely to impair the vehicle's normal operations.
 - 1.2.2. The chassis dynamometer may have one roller or two rollers in the cases of three-wheel vehicles with two front wheels and quadricycles. In such cases, the front roller shall drive, directly or indirectly, the inertial masses and the power-absorption device.
 - 1.2.3. It shall be possible to measure and read the indicated load to an accuracy of ± 5 per cent.

- 1.2.4. In the case of a dynamometer with a fixed load curve, the accuracy of the load setting at 80 km/h or of the load setting at the reference vehicle speeds (30 km/h, respectively 15 km/h) referred to in paragraph 1.1.3.1. for vehicles that cannot attain 80 km/h, shall be ± 5 per cent. In the case of a dynamometer with adjustable load curve, the accuracy of matching dynamometer load to road load shall be ± 5 per cent for vehicle speeds > 20 km/h and ± 10 per cent for vehicle speeds ≤ 20 km/h. Below this vehicle speed, dynamometer absorption shall be positive.
- 1.2.5. The total inertia of the rotating parts (including the simulated inertia where applicable) shall be known and shall be within ± 10 kg of the inertia class for the test.
- 1.2.6. The speed of the vehicle shall be measured by the speed of rotation of the roller (the front roller in the case of a two-roller dynamometer from which the actual speed of the vehicle is calculated). It shall be measured with an accuracy of ± 1 km/h at vehicle speeds over 10 km/h. The distance actually driven by the vehicle shall be measured by the movement of rotation of the roller (the front roller in the case of a two-roller dynamometer).
2. Dynamometer calibration procedure
- 2.1. Introduction
- This section describes the method to be used to determine the load absorbed by a dynamometer brake. The load absorbed comprises the load absorbed by frictional effects and the load absorbed by the power-absorption device. The dynamometer is brought into operation beyond the range of test vehicle speeds. The device used for starting up the dynamometer is then disconnected; the rotational speed of the driven roller decreases. The kinetic energy of the rollers is dissipated by the power-absorption unit and by the frictional effects. This method disregards variations in the roller's internal frictional effects caused by rollers with or without the vehicle. The frictional effects of the rear roller shall be disregarded when the roller is free.
- 2.2. Calibration of the load indicator at 80 km/h or of the load indicator referred to in paragraph 1.1.3.1. for vehicles that cannot attain 80 km/h.
- The following procedure shall be used for calibration of the load indicator to 80 km/h or the applicable load indicator referred to in paragraph 1.1.3.1. for vehicles that cannot attain 80 km/h, as a function of the load absorbed (see also Figure A4.App6/1):
- 2.2.1. Measure the rotational speed of the roller if this has not already been done. A fifth wheel, a revolution counter or some other method may be used.
- 2.2.2. Place the vehicle on the dynamometer or devise some other method for starting up the dynamometer.
- 2.2.3. Use the flywheel or any other system of inertia simulation for the particular inertia class to be used.

Figure A4.App6/1
Power absorbed by the chassis dynamometer



Legend:

$$\blacksquare F = a + b \cdot v^2 \quad \bullet F = (a + b \cdot v^2) - 0.1 \cdot F_{80} \quad \blacktriangle F = (a + b \cdot v^2) + 0.1 \cdot F_{80}$$

- 2.2.4. Bring the dynamometer to a vehicle speed of 80 km/h or to the reference vehicle speed referred to in paragraph 1.1.3.1. for vehicles that cannot attain 80 km/h.
- 2.2.5. Note the load indicated F_i (N).
- 2.2.6. Bring the dynamometer to a vehicle speed of 90 km/h or to the respective reference vehicle speed referred to in paragraph 1.1.3.1. plus 5 km/h for vehicles that cannot attain 80 km/h
- 2.2.7. Disconnect the device used to start up the dynamometer.
- 2.2.8. Note the time taken by the dynamometer to pass from a vehicle speed of 85 to 75 km/h, or for vehicles that cannot attain 80 km/h referred to in Table A4.App5/1 of Appendix 5 to Annex 4, note the time between $v_j + 5$ km/h to $v_j - 5$ km/h.
- 2.2.9. Set the power-absorption device at a different level.
- 2.2.10. The requirements of paragraphs 2.2.4. to 2.2.9. shall be repeated sufficiently often to cover the range of loads used.
- 2.2.11. Calculate the load absorbed using the formula:

$$F = \frac{m_i \cdot \Delta v}{\Delta t} \quad (2)$$

where:

F = load absorbed (N);

m_i = equivalent inertia in kg (excluding the inertial effects of the free rear roller);

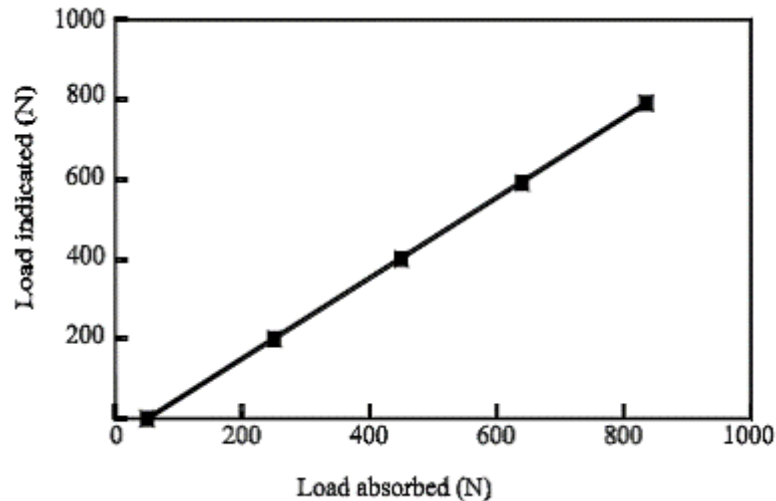
Δv = vehicle speed deviation in m/s (10 km/h = 2.775 m/s);

Δt = time taken by the roller to pass from 85 km/h to 75 km/h, or for vehicles that cannot attain 80 km/h from 35 – 25 km/h, respectively from 20 – 10 km/h, referred to in Table A4.App5/2 of Annex 4, Appendix 5.

- 2.2.12. Figure A4.App6/2 shows the load indicated at 80 km/h in terms of load absorbed at 80 km/h.

Figure A4.App6/2

Load indicated at 80 km/h in terms of load absorbed at 80 km/h



- 2.2.13. The requirements laid down in paragraphs 2.2.3. to 2.2.12. shall be repeated for all inertia classes to be used.

2.3. Calibration of the load indicator at other vehicle speeds

The procedures described in paragraph 2.2. shall be repeated as often as necessary for the chosen vehicle speeds.

2.4. Calibration of force or torque

The same procedure shall be used for force or torque calibration.

3. Verification of the load curve

3.1. Procedure

The load-absorption curve of the dynamometer from a reference setting at a vehicle speed of 80 km/h or for vehicles that cannot attain 80 km/h at the respective reference vehicle speeds referred to in paragraph 1.1.3.1., shall be verified as follows:

- 3.1.1. Place the vehicle on the dynamometer or devise some other method for starting up the dynamometer.

- 3.1.2. Adjust the dynamometer to the absorbed load (F_{80}) at 80 km/h, or for vehicles that cannot attain 80 km/h to the absorbed load F_{v_j} at the respective target vehicle speed v_j referred to in paragraph 1.1.3.1.

- 3.1.3. Note the load absorbed at 120, 100, 80, 60, 40 and 20 km/h or for vehicles that cannot attain 80 km/h absorbed at the target vehicles speeds v_j referred to in paragraph 1.1.3.1.

- 3.1.4. Draw the curve $F(v)$ and verify that it corresponds to the requirements of paragraph 1.1.3.1.

3.1.5. Repeat the procedure set out in paragraphs 3.1.1. to 3.1.4. for other values of F80 and for other values of inertia.

4 Verification of simulated inertia

4.1. Object

The method described in this Annex makes it possible to check that the simulated total inertia of the dynamometer is carried out satisfactorily in the running phase of the operating cycle. The manufacturer of the chassis dynamometer shall specify a method for verifying the specifications according to paragraph 4.3.

4.2. Principle

4.2.1. Drawing-up working equations

Since the dynamometer is subjected to variations in the rotating speed of the roller(s), the force at the surface of the roller(s) can be expressed by:

$$F = I \cdot \gamma = I_M \cdot \gamma + F_1 \quad (3)$$

where:

F is the force at the surface of the roller(s) in N;

I is the total inertia of the dynamometer (equivalent inertia of the vehicle);

I_M is the inertia of the mechanical masses of the dynamometer;

γ is the tangential acceleration at roller surface;

F_1 is the inertia force.

Note: An explanation of this formula with reference to dynamometers with mechanically simulated inertia is appended.

Thus, total inertia is expressed as follows:

$$I = I_m + F_1 / \gamma \quad (4)$$

where:

I_m can be calculated or measured by traditional methods;

F_1 can be measured on the dynamometer;

γ can be calculated from the peripheral rotation speed of the rollers.

The total inertia (I) will be determined during an acceleration or deceleration test with values no lower than those obtained on an operating cycle.

4.2.2. Specification for the calculation of total inertia

The test and calculation methods shall make it possible to determine the total inertia I with a relative error ($\Delta I/I$) of less than ± 2 per cent.

4.3. Specification

4.3.1. The mass of the simulated total inertia I shall remain the same as the theoretical value of the equivalent inertia (see Appendix 4 to Annex 4.) within the following limits:

4.3.1.1. ± 5 per cent of the theoretical value for each instantaneous value;

4.3.1.2. ± 2 per cent of the theoretical value for the average value calculated for each sequence of the cycle.

The limit specified in paragraph 4.3.1.1. is brought to ± 50 per cent for one second when starting and, for vehicles with manual transmission, for two seconds during gear changes.

4.4. Verification procedure

4.4.1. Verification is carried out during each test throughout the test cycles defined in Appendix 12 to Annex 4.

4.4.2. However, if the requirements laid down in paragraph 4.3. are met, with instantaneous accelerations which are at least three times greater or smaller than the values obtained in the sequences of the theoretical cycle, the verification described in paragraph 4.4.1. will not be necessary.

Annex 4 - Appendix 7

Exhaust dilution system.

1. System specification
 - 1.1. System overview

A full-flow exhaust dilution system shall be used. This requires that the vehicle exhaust be continuously diluted with ambient air under controlled conditions. The total volume of the mixture of exhaust and dilution air shall be measured and a continuously proportional sample of the volume shall be collected for analysis. The quantities of pollutants are determined from the sample concentrations, corrected for the pollutant content of the ambient air and the totalised flow over the test period. The exhaust dilution system shall consist of a transfer tube, a mixing chamber and dilution tunnel, a dilution air conditioning, a suction device and a flow measurement device. Sampling probes shall be fitted in the dilution tunnel as specified in Annex 1 [paragraph 3.4.3.10.1.4.](#) . The mixing chamber described in this point shall be a vessel, such as those illustrated in Figures A4.App7/1 and A4.App7/2, in which vehicle exhaust gases and the dilution air are combined so as to produce a homogeneous mixture at the chamber outlet.
 - 1.2. General requirements
 - 1.2.1. The vehicle exhaust gases shall be diluted with a sufficient amount of ambient air to prevent any water condensation in the sampling and measuring system under any conditions which may occur during a test.
 - 1.2.2. The mixture of air and exhaust gases shall be homogeneous at the point where the sampling probe is located (see paragraph 1.3.3.). The sampling probe shall extract a representative sample of the diluted exhaust gas.
 - 1.2.3. The system shall enable the total volume of the diluted exhaust gases to be measured.
 - 1.2.4. The sampling system shall be gas-tight. The design of the variable dilution sampling system and the materials that go to make it up shall be such that they do not affect the pollutant concentration in the diluted exhaust gases. Should any component in the system (heat exchanger, cyclone separator, blower, etc.) change the concentration of any of the pollutants in the diluted exhaust gases and the fault cannot be corrected, sampling for that pollutant shall be carried out upstream from that component.
 - 1.2.5. All parts of the dilution system that are in contact with raw and diluted exhaust gas shall be designed to minimise deposition or alteration of the particulates or particles. All parts shall be made of electrically conductive materials that do not react with exhaust gas components and shall be electrically grounded to prevent electrostatic effects.
 - 1.2.6. If the vehicle being tested is equipped with an exhaust pipe comprising several branches, the connecting tubes shall be connected as near as possible to the vehicle without adversely affecting its operation.
 - 1.2.7. The variable-dilution system shall be designed so as to enable the exhaust gases to be sampled without appreciably changing the back-pressure at the exhaust pipe outlet.

1.2.8. The connecting tube between the vehicle and dilution system shall be so designed as to minimise heat loss.

1.3. Specific requirements

1.3.1. Connection to vehicle exhaust

The connecting tube between the vehicle exhaust outlets and the dilution system shall be as short as possible and satisfy the following requirements:

- (a) the tube shall be less than 3.6 m long, or less than 6.1 m long if heat insulated. Its internal diameter may not exceed 105 mm;
- (b) it shall not cause the static pressure at the exhaust outlets on the test vehicle to differ by more than ± 0.75 kPa at 50 km/h, or more than ± 1.25 kPa for the whole duration of the test, from the static pressures recorded when nothing is connected to the vehicle exhaust outlets. The pressure shall be measured in the exhaust outlet or in an extension having the same diameter, as near as possible to the end of the pipe. Sampling systems capable of maintaining the static pressure to within ± 0.25 kPa may be used if a written request from a manufacturer to the technical service substantiates the need for the closer tolerance;
- (c) it shall not change the nature of the exhaust gas;
- (d) any elastomeric connectors employed shall be as thermally stable as possible and have minimum exposure to the exhaust gases.

1.3.2. Dilution air conditioning

The dilution air used for the primary dilution of the exhaust in the CVS tunnel shall be passed through a medium capable of reducing particles in the most penetrating particle size of the filter material by ≥ 99.95 per cent, or through a filter of at least class H13 of EN 1822:1998. This represents the specification of High Efficiency Particulate Air (HEPA) filters. The dilution air may be charcoal scrubbed before being passed to the HEPA filter. It is recommended that an additional coarse particle filter is situated before the HEPA filter and after the charcoal scrubber, if used. At the vehicle manufacturer's request, the dilution air may be sampled according to good engineering practice to determine the tunnel contribution to background particulate mass levels, which can then be subtracted from the values measured in the diluted exhaust.

1.3.3. Dilution tunnel

Provision shall be made for the vehicle exhaust gases and the dilution air to be mixed. A mixing orifice may be used. In order to minimise the effects on the conditions at the exhaust outlet and to limit the drop in pressure inside the dilution-air conditioning device, if any, the pressure at the mixing point shall not differ by more than ± 0.25 kPa from atmospheric pressure. The homogeneity of the mixture in any cross-section at the location of the sampling probe shall not vary by more than ± 2 percent from the average of the values obtained for at least five points located at equal intervals on the diameter of the gas stream. For particulate and particle emissions sampling, a dilution tunnel shall be used which:

- (a) shall consist of a straight tube of electrically-conductive material, which shall be earthed;

- (b) shall be small enough in diameter to cause turbulent flow (Reynolds number ≥ 4000) and of sufficient length to cause complete mixing of the exhaust and dilution air;
- (c) shall be at least 200 mm in diameter;
- (d) may be insulated.

1.3.4. Suction device

This device may have a range of fixed rotation speeds to ensure sufficient flow to prevent any water condensation. This result is generally obtained if the flow is either:

- (a) twice the maximum flow of exhaust gas produced by accelerations of the driving cycle; or
- (b) sufficient to ensure that the CO₂ concentration in the dilute exhaust sample bag is less than 3 per cent by volume for petrol and diesel.

1.3.5. Volume measurement in the primary dilution system

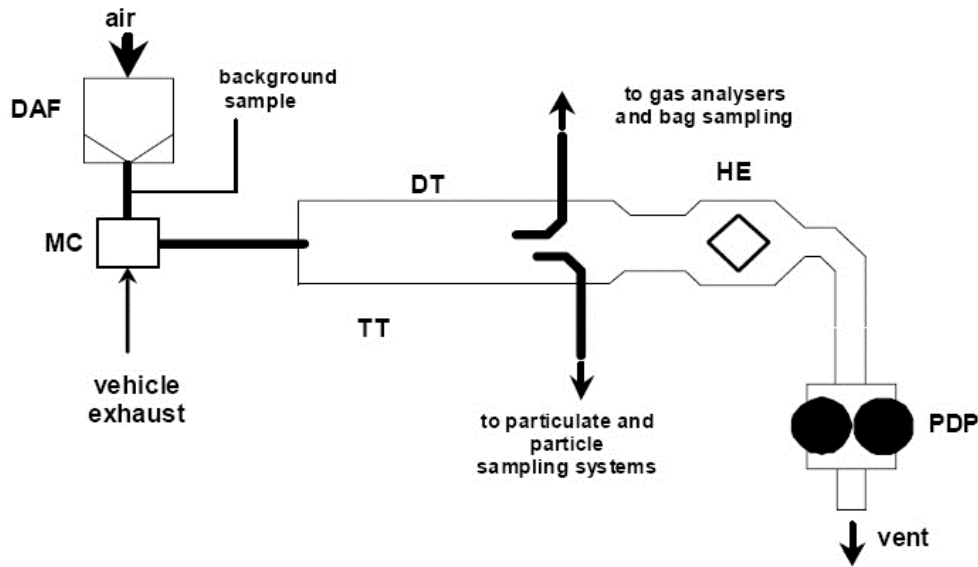
The method for measuring total dilute exhaust volume incorporated in the constant volume sampler shall be such that measurement is accurate to ± 2 per cent under all operating conditions. If the device cannot compensate for variations in the temperature of the mixture of exhaust gases and dilution air at the measuring point, a heat exchanger shall be used to maintain the temperature to within ± 6 °C of the specified operating temperature. If necessary, some form of protection for the volume measuring device may be used, e.g. a cyclone separator, bulk stream filter, etc. A temperature sensor shall be installed immediately before the volume measuring device. This sensor shall have an accuracy and a precision of ± 1 °C and a response time of 0.1 s at 62 per cent of a given temperature variation (value measured in silicone oil). The difference from atmospheric pressure shall be measured upstream and, if necessary, downstream from the volume measuring device. The pressure measurements shall have a precision and an accuracy of ± 0.4 kPa during the test.

1.4. Recommended system descriptions

Figure A4.App7/1 and Figure A4.App7/2 are schematic drawings of two types of recommended exhaust dilution systems that meet the requirements of this Annex. Since various configurations can produce accurate results, exact conformity with these figures is not essential. Additional components such as instruments, valves, solenoids and switches may be used to provide additional information and coordinate the functions of the component system.

1.4.1. Full-flow dilution system with positive displacement pump

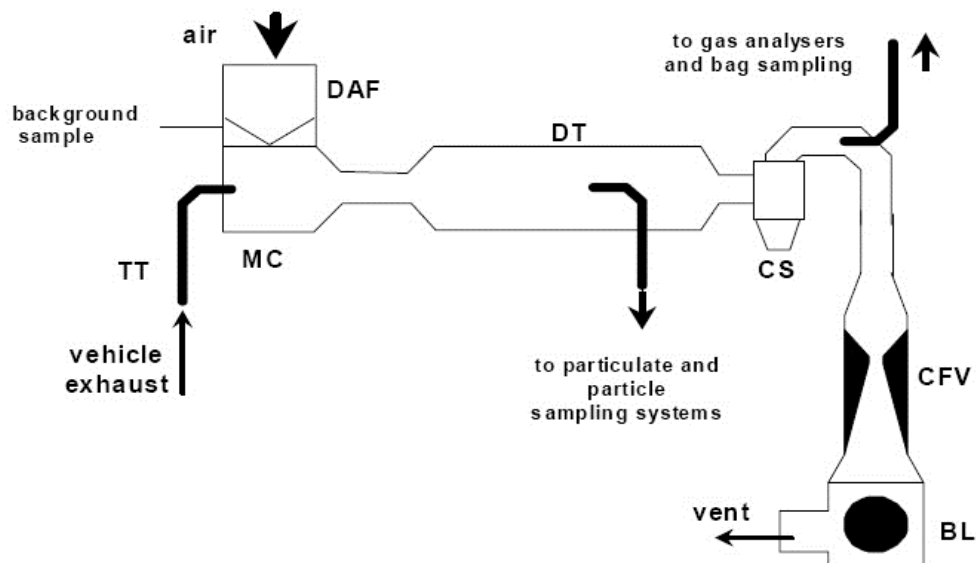
Figure A4.App7/1
Positive displacement pump dilution system



The positive displacement pump (PDP) full-flow dilution system satisfies the requirements of this Annex by metering the flow of gas through the pump at constant temperature and pressure. The total volume is measured by counting the revolutions of the calibrated positive displacement pump. The proportional sample is achieved by sampling with pump, flow meter and flow control valve at a constant flow rate. The collecting equipment consists of:

- 1.4.1.1. A filter (refer to DAF in Figure A4.App7/1) for the dilution air shall be installed, which can be preheated if necessary. This filter shall consist of the following filters in sequence: an optional activated charcoal filter (inlet side) and a high efficiency particulate air (HEPA) filter (outlet side). It is recommended that an additional coarse particle filter is situated before the HEPA filter and after the charcoal filter, if used. The purpose of the charcoal filter is to reduce and stabilise the hydrocarbon concentrations of ambient emissions in the dilution air;
- 1.4.1.2. A transfer tube (TT) by which vehicle exhaust is admitted into a dilution tunnel (DT) in which the exhaust gas and dilution air are mixed homogeneously;
- 1.4.1.3. The positive displacement pump (PDP), producing a constant-volume flow of the air/exhaust-gas mixture. The PDP revolutions, together with associated temperature and pressure measurement, are used to determine the flow rate;
- 1.4.1.4. A heat exchanger (HE) of a capacity sufficient to ensure that throughout the test the temperature of the air/exhaust-gas mixture measured at a point immediately upstream of the positive displacement pump is within 6.0 °C of the average operating temperature during the test. This device shall not affect the pollutant concentrations of diluted gases taken off afterwards for analysis.
- 1.4.1.5. A mixing chamber (MC) in which exhaust gas and air are mixed homogeneously and which may be located close to the vehicle so that the length of the transfer tube (TT) is minimised.

Figure A4.App7/2
Critical-flow venturi dilution system



1.4.2. Full-flow dilution system with critical-flow venturi

The use of a critical-flow venturi (CFV) for the full-flow dilution system is based on the principles of flow mechanics for critical flow. The variable mixture flow rate of dilution and exhaust gas is maintained at sonic velocity which is directly proportional to the square root of the gas temperature. Flow is continually monitored, computed and integrated throughout the test. The use of an additional critical-flow sampling venturi ensures the proportionality of the gas samples taken from the dilution tunnel. As pressure and temperature are both equal at the two venturi inlets, the volume of the gas flow diverted for sampling is proportional to the total volume of diluted exhaust-gas mixture produced, and thus the requirements of this Annex are met. The collecting equipment consists of:

- 1.4.2.1. A filter (DAF) for the dilution air which can be preheated if necessary. This filter shall consist of the following filters in sequence: an optional activated charcoal filter (inlet side) and a high efficiency particulate air (HEPA) filter (outlet side). It is recommended that an additional coarse particle filter is situated before the HEPA filter and after the charcoal filter, if used. The purpose of the charcoal filter is to reduce and stabilise the hydrocarbon concentrations of ambient emissions in the dilution air;
- 1.4.2.2. A mixing chamber (MC) in which exhaust gas and air are mixed homogeneously and which may be located close to the vehicle so that the length of the transfer tube (TT) is minimised;
- 1.4.2.3. A dilution tunnel (DT) from which particulates and particles are sampled;
- 1.4.2.4. Some form of protection for the measurement system may be used, e.g. a cyclone separator, bulk stream filter, etc.;
- 1.4.2.5. A measuring critical-flow venturi tube (CFV) to measure the flow volume of the diluted exhaust gas;

- 1.4.2.6. A blower (BL) of sufficient capacity to handle the total volume of diluted exhaust gas.
- 2. CVS calibration procedure
 - 2.1. General requirements

The CVS system shall be calibrated by using an accurate flow-meter and a restricting device. The flow through the system shall be measured at various pressure readings and the control parameters of the system measured and related to the flows. The flow-meter shall be dynamic and suitable for the high flow-rate encountered in CVS testing. The device shall be of certified accuracy traceable to an approved national or international standard.
 - 2.1.1. Various types of flow-meter may be used, e.g. calibrated venturi, laminar flow-meter, calibrated turbine-meter, provided that they are dynamic measurement systems and can meet the requirements of paragraph 1.3.5. of this Annex.
 - 2.1.2. The following points give details of methods of calibrating PDP and CFV units, using a laminar flow-meter which gives the required accuracy, together with a statistical check on the calibration validity.
 - 2.2. Calibration of the positive displacement pump (PDP)
 - 2.2.1. The following calibration procedure outlines the equipment, the test configuration and the various parameters that are measured to establish the flow-rate of the CVS pump. All the parameters relating to the pump are simultaneously measured with the parameters relating to the flow-meter which is connected in series with the pump. The calculated flow rate (given in m³/min at pump inlet, absolute pressure and temperature) can then be plotted against a correlation function that is the value of a specific combination of pump parameters. The linear equation that relates the pump flow and the correlation function is then determined. If a CVS has a multiple rotation speed drive, a calibration shall be performed for each range used.
 - 2.2.2. This calibration procedure is based on the measurement of the absolute values of the pump and flow-meter parameters that relate to the flow rate at each point. Three conditions shall be maintained to ensure the accuracy and integrity of the calibration curve:
 - 2.2.2.1. The pump pressures shall be measured at tapings on the pump rather than at the external piping on the pump inlet and outlet. Pressure taps that are mounted at the top centre and bottom centre of the pump drive head plate are exposed to the actual pump cavity pressures and therefore reflect the absolute pressure differentials;
 - 2.2.2.2. Temperature stability shall be maintained during the calibration. The laminar flow-meter is sensitive to inlet temperature oscillations which cause the data points to be scattered. Gradual changes of ± 1 °C in temperature are acceptable as long as they occur over a period of several minutes;
 - 2.2.2.3. All connections between the flow-meter and the CVS pump shall be free of any leakage.
 - 2.2.3. During an exhaust emission test, the measurement of these same pump parameters enables the user to calculate the flow rate from the calibration equation.

- 2.2.6. Reset the restrictor valve to a more restricted condition in an increment of pump inlet depression (about 1 kPa) that will yield a minimum of six data points for the total calibration. Allow the system to stabilise for three minutes and repeat the data acquisition.
- 2.2.7. The air flow rate (Q_s) at each test point is calculated in standard m^3/min from the flow-meter data using the manufacturer's prescribed method.
- 2.2.8. The air flow-rate is then converted to pump flow (V_0) in m^3/rev at absolute pump inlet temperature and pressure.

$$V_0 = \frac{Q_s}{n} \cdot \frac{T_p}{273.2} \cdot \frac{101.33}{P_p} \quad (1)$$

where:

V_0 = pump flow rate at T_p and P_p (m^3/rev);

Q_s = air flow at 101.33 kPa and 0 °C in (m^3/min);

T_p = pump inlet temperature (K);

P_p = absolute pump inlet pressure (kPa);

n = pump rotation speed (min^{-1}).

- 2.2.9. To compensate for the interaction of pump rotation speed pressure variations at the pump and the pump slip rate, the correlation function (x_0) between the pump rotation speed (n), the pressure differential from pump inlet to pump outlet, and the absolute pump outlet pressure is calculated as follows:

$$x_0 = \frac{1}{n} \sqrt{\frac{\Delta P_p}{P_e}} \quad (2)$$

where:

x_0 = correlation function;

ΔP_p = pressure differential from pump inlet to pump outlet (kPa);

P_e = absolute outlet pressure ($PPO + P_b$) (kPa).

- 2.2.9.1. A linear least-square fit is performed to generate the calibration equations which have the formula:

$$V_0 = D_0 - M(x_0) \quad (3)$$

$$n = A - B(\Delta P_p)$$

D_0 , M , A and B are the slope-intercept constants describing the lines.

- 2.2.10. A CVS system that has multiple pump rotation speeds shall be calibrated on each rotation speed used. The calibration curves generated for the ranges shall be approximately parallel and the intercept values (D_0) shall increase as the pump flow range decreases.
- 2.2.11. If the calibration has been performed carefully, the calculated values from the equation will be within 0.5 per cent of the measured value of V_0 . Values of M will vary from one pump to another. Calibration is performed at pump start-up and after major maintenance.
- 2.3. Calibration of the critical-flow venturi (CFV)

- 2.3.1. Calibration of the CFV is based on the flow equation for a critical-flow venturi:

$$Q_s = \frac{K_v P}{\sqrt{T}} \quad (4)$$

where:

Q_s = flow;

K_v = calibration coefficient;

P = absolute pressure (kPa);

T = absolute temperature (K).

Gas flow is a function of inlet pressure and temperature. The calibration procedure described in paragraphs 2.3.2. to 2.3.7. shall establish the value of the calibration coefficient at measured values of pressure, temperature and air flow.

- 2.3.2. The manufacturer's recommended procedure shall be followed for calibrating electronic portions of the CFV.

- 2.3.3. Measurements for flow calibration of the critical-flow venturi are required and the following data shall be found within the limits of precision given:

Barometric pressure (corrected) (P_b) ± 0.03 kPa

LFE air temperature, flow-meter (ETI) ± 0.15 °C

Pressure depression upstream of LFE (EPI) ± 0.01 kPa

Pressure drop across (EDP) LFE matrix ± 0.0015 kPa

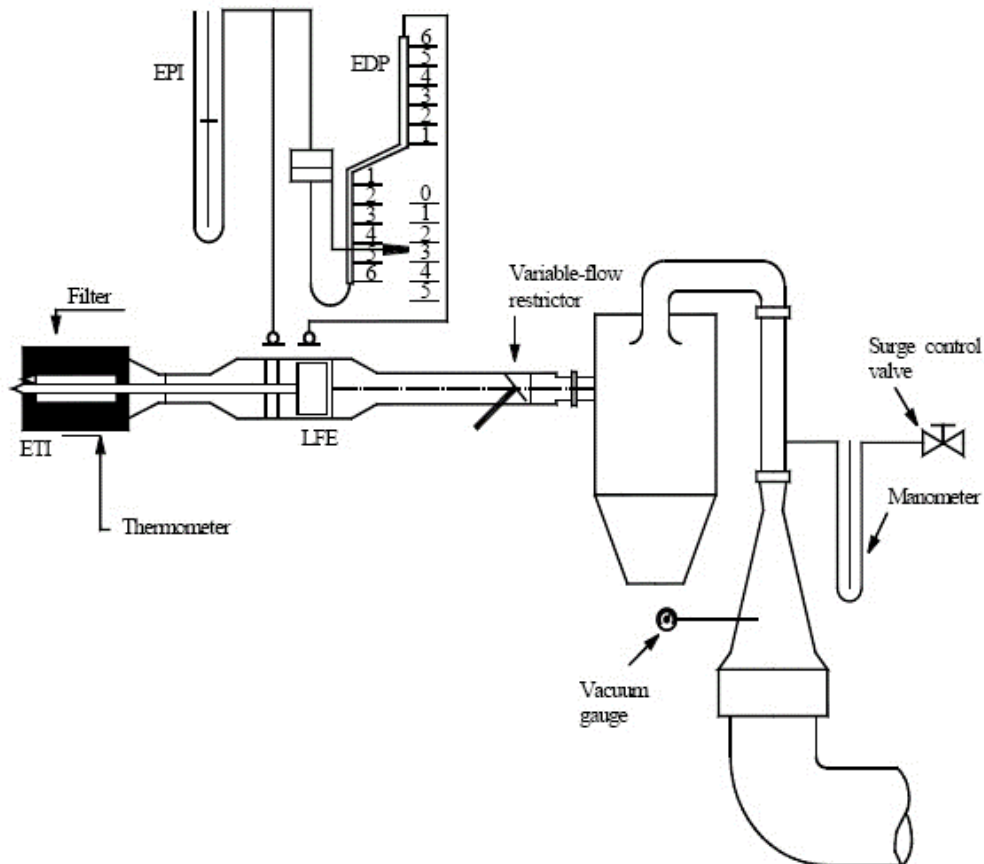
Air flow (Q_s) ± 0.5 percent

CFV inlet depression (PPI) ± 0.02 kPa

Temperature at venturi inlet (T_v) ± 0.2 °C.

- 2.3.4. The equipment shall be set up as shown in Figure A4.App7/4 and checked for leaks. Any leaks between the flow-measuring device and the critical-flow venturi will seriously affect the accuracy of the calibration.

Figure A4.App7/4
CFV calibration configuration



- 2.3.5. The variable-flow restrictor shall be set to the open position, the blower shall be started and the system stabilised. Data from all instruments shall be recorded.
- 2.3.6. The flow restrictor shall be varied and at least eight readings shall be taken across the critical flow range of the venturi.
- 2.3.7. The data recorded during the calibration shall be used in the following calculations. The air flow-rate (Q_s) at each test point is calculated from the flow-meter data using the manufacturer's prescribed method. Calculate values of the calibration coefficient (K_v) for each test point:

$$K_v = \frac{Q_s \sqrt{T_v}}{P_v} \quad (5)$$

where:

Q_s = flow-rate in m³/min at 0 °C and 101.3 kPa;

T_v = temperature at the venturi inlet (K);

P_v = absolute pressure at the venturi inlet (kPa).

Plot K_v as a function of venturi inlet pressure. For sonic flow, K_v will have a relatively constant value. As pressure decreases (vacuum increases), the

venturi becomes unchoked and K_v decreases. The resultant K_v changes are not permissible. For a minimum of eight points in the critical region, calculate an average K_v and the standard deviation. If the standard deviation exceeds 0.3 per cent of the average K_v , take corrective action.

3. System verification procedure

3.1. General requirements

The total accuracy of the CVS sampling system and analytical system shall be determined by introducing a known mass of a pollutant gas into the system while it is being operated as if during a normal test and then analysing and calculating the pollutant mass according to the formula in paragraph 4, except that the density of propane shall be taken as 1.967 grams per litre at standard conditions. The two techniques described in paragraphs 3.2. and 3.3. are known to give sufficient accuracy. The maximum permissible deviation between the quantity of gas introduced and the quantity of gas measured is 5 percent.

3.2. CFO method

3.2.1. Metering a constant flow of pure gas (CO or C₃H₈) using a critical-flow orifice device

3.2.2. A known quantity of pure gas (CO or C₃H₈) is fed into the CVS system through the calibrated critical orifice. If the inlet pressure is high enough, the flow-rate (q), which is adjusted by means of the critical-flow orifice, is independent of orifice outlet pressure (critical flow). If deviations exceeding 5 per cent occur, the cause of the malfunction shall be determined and corrected. The CVS system is operated as in an exhaust emission test for about five to ten minutes. The gas collected in the sampling bag is analysed by the usual equipment and the results compared to the concentration of the gas samples which was known beforehand.

3.3. Gravimetric method

3.3.1. Metering a limited quantity of pure gas (CO or C₃H₈) by means of a gravimetric technique

3.3.2. The following gravimetric procedure may be used to verify the CVS system. The weight of a small cylinder filled with either carbon monoxide or propane is determined with a precision of ± 0.01 g. For about five to ten minutes, the CVS system is operated as in a normal exhaust emission test, while CO or propane is injected into the system. The quantity of pure gas involved is determined by means of differential weighing. The gas accumulated in the bag is analysed using the equipment normally used for exhaust-gas analysis. The results are then compared to the concentration figures computed previously.

Annex 4 - Appendix 8

Vehicle propulsion unit family with regard to environmental performance demonstration tests.

1. Introduction
 - 1.1. In order to alleviate the test burden on manufacturers when demonstrating the environmental performance of vehicles these may be grouped as a vehicle propulsion unit family. One or more parent vehicles shall be selected from this group of vehicles by the manufacturer to the satisfaction of the approval authority / certification authority that shall be used to demonstrate environmental performance test types I, II and VII.
 - 1.2. A light motor vehicle may continue to be regarded as belonging to the same vehicle propulsion unit family provided that the vehicle variant, version, propulsion unit, pollution-control system listed in [table-Table B.5.8.-1](#) are identical or remain within the prescribed and declared tolerances.
 - 1.3. Vehicle and propulsion unit family attribution with regard to environmental tests

For the environmental test types I, II and VII a representative parent vehicle shall be selected within the boundaries set by the classification criteria laid down in paragraph 2.
2. Classification criteria

Table B.5.8.-1

Classification criteria propulsion unit family with regard to test types I, II and VII

<i>Classification criteria description</i>		<i>Test type I</i>	<i>Test type II</i>	<i>Test type VII</i>
1.				Vehicle
1.1.	category;	X	X	X
1.2.	sub-category;	X	X	X
1.3.	the inertia of a vehicle variant(s) or version(s) within two inertia categories above or below the nominal inertia category;	X		X
1.4.	overall gear ratios (+/- 8%);	X		X
2.				
	Propulsion family characteristics			
2.1.	number of cylinders of the combustion engine;	X	X	X
2.2.	engine capacity (+/- 2 %) of the combustion engine;	X	X	X
2.3.	number and control (variable cam phasing or lift) of combustion engine valves;	X	X	X
2.4.	fuel	X	X	X
2.5.	fuel system (carburettor / scavenging port / port fuel injection / direct fuel injection / common rail / pump-injector / other);	X	X	X
2.6.	type of cooling system of combustion engine;	X	X	X
2.7.	combustion cycle (PI / CI / two-stroke / four-stroke / other);	X	X	X
2.8.	intake air system (naturally aspirated / charged (turbocharger / super-	X	X	X

<i>Classification criteria description</i>		<i>Test type I</i>	<i>Test type II</i>	<i>Test type VII</i>
	charger) / intercooler / boost control) and air induction control (mechanical throttle / electronic throttle control / no throttle);			
3.	Pollution control system characteristics			
3.1.	propulsion unit exhaust (not) equipped with catalytic converter(s);	X	X	X
3.2.	catalytic converter(s) type;	X	X	X
3.2.1.	number and elements of catalytic converters;	X	X	X
3.2.2.	size of catalytic converters (volume of monolith(s) +/- 15 %);	X	X	X
3.2.3.	operation principle of catalytic activity (oxidising, three-way, heated, SCR, other.);	X	X	X
3.2.4.	precious metal load (identical or higher);	X	X	X
3.2.5.	precious metal ratio (+/- 15 %);	X	X	X
3.2.6.	substrate (structure and material);	X	X	X
3.2.7.	cell density;	X	X	X
3.2.8.	type of casing for the catalytic converter(s);	X	X	X
3.3.	propulsion unit exhaust (not) equipped with particulate filter (PF);	X	X	X
3.3.1.	PF types;	X	X	X
3.3.2.	number and elements of PF;	X	X	X
3.3.3.	size of PF (volume of filter element +/- 10 %);	X	X	X
3.3.4.	operation principle of PF (partial / wall-flow / other);	X	X	X
3.3.5.	active surface of PF;	X	X	X
3.4.	Propulsion unit (not) equipped with periodically regenerating system;	X	X	X
3.4.1.	periodically regenerating system type;	X	X	X
3.4.2.	operation principle of periodically regenerating system;	X	X	X
3.5.	propulsion (not) equipped with selective catalytic converter reduction (SCR) system;	X	X	X
3.5.1.	SCR system type;	X	X	X
3.5.2.	operation principle of periodically regenerating system;	X	X	X
3.6.	Propulsion unit (not) equipped with lean NOx trap /absorber;	X	X	X
3.6.1.	lean NOx trap / absorber type;	X	X	X
3.6.2.	operation principle of lean NOx trap / absorber;	X	X	X
3.7.	Propulsion unit (not) equipped with a cold-start device or starting aid device(s);	X	X	X
3.7.1.	cold-start or starting aid device type;	X	X	X
3.7.2.	operation principle of cold start or starting aid device(s);	X	X	X
3.7.3.	Activation time of cold-start or starting aid device(s) and /or duty cycle (only limited time activated after cold start / continuous operation);	X	X	X
3.8.	propulsion unit (not) equipped with O ₂ sensor for fuel control;	X	X	X
3.8.1.	O ₂ sensor types;	X	X	X
3.8.2.	operation principle of O ₂ sensor (binary / wide range / other);	X	X	X
3.8.3.	O ₂ sensor interaction with closed-loop fuelling system (stoichiometry /	X	X	X

<i>Classification criteria description</i>		<i>Test type I</i>	<i>Test type II</i>	<i>Test type VII</i>
	lean or rich operation);			
3.9.	propulsion unit (not) equipped with exhaust gas recirculation (EGR) system;	X	X	X
3.9.1.	EGR system types;	X	X	X
3.9.2.	operation principle of EGR system (internal / external);	X	X	X
3.9.3.	maximum EGR rate (+/- 5 %);	X	X	X

Note: "X" in the following table means "applicable"

Annex 4 - Appendix 9

Information document containing the essential characteristics of the propulsion units and the pollutant control systems

1. The manufacturer shall complete the applicable item numbers of the list below, and submit it as part of the information folder.

Item No.	Detailed information
0.	GENERAL INFORMATION
A.	General information concerning vehicles
0.1.	Make (trade name of manufacturer):
0.2.	Type:
0.2.1.	Variant(s):
0.2.2.	Version(s):
0.2.3.	Commercial name(s) (if available):
0.3.	Category, subcategory and sub-subcategory of vehicle:.....
0.4.	Company name and address of manufacturer:
0.4.1.	Name(s) and address(es) of assembly plants:
0.4.2.	Name and address of manufacturer's authorised representative, if any:.....
0.5.	Manufacturer's statutory plate(s) :
0.5.1.	Location of the manufacturer's statutory plate:
0.5.2.	Method of attachment:.....
0.5.3.	Photographs and/or drawings of the statutory plate (completed example with dimensions):
0.6.	Location of the vehicle identification number:.....
0.6.1.	Photographs and/or drawings of the locations of the vehicle identification number (completed example with dimensions): ...
0.6.1.1.	The serial number of the type begins with:

- B. General information concerning systems, components or separate technical units**
- 0.7. **Make(s) (trade name(s) of manufacturer):**.....
- 0.8. **Type:**.....
- 0.8.1. Commercial name(s) (if available):.....
- 0.8.2. Type-approval number(s) (if available):.....
- 0.8.3. Type-approval(s) issued on (date, if available):
- 0.9. **Company name and address of manufacturer:**.....
- 0.9.1. Name(s) and address(es) of assembly plants:.....
- 0.9.2. Name and address of manufacturer’s authorised representative, if any:.....
- 0.10. **Vehicle(s) for which the system/separate technical unit is intended for⁽²¹⁾:**
- 0.10.1. Type:.....
- 0.10.2. Variant:.....
- 0.10.3. Version:
- 0.10.4. Commercial name(s) (if available):.....
- 0.10.5. Category, subcategory and sub-subcategory of vehicle:
- 0.11. **Type-approval marks for components and separate technical units:**.....
- 0.11.1. Method of attachment:.....
- 0.11.2. Photographs and/or drawings of the location of the type-approval mark (completed example with dimensions):.....
- C. General information regarding conformity of production**
- 0.12. **Conformity of production**
- 0.12.1. Description of overall quality-assurance management systems.
- 1. GENERAL CONSTRUCTION CHARACTERISTICS**
- 1.1. Photographs and/or drawings of a representative vehicle:

- 1.2. Scale drawing of the whole vehicle:.....
- 1.3. Number of axles and wheels:
- 1.3.1. Axles with twinned wheels:.....
- 1.3.2. Powered axles:.....
- 1.4. Chassis (if any) (overall drawing):
- 1.5. Position and arrangement of the propulsion unit(s):.....
- 1.6. Vehicle is equipped to be driven in right/left-hand traffic and in countries that use metric/metric and imperial units.⁽⁴⁾: ...
- 1.7. Propulsion unit performance**
- 1.7.1. Declared maximum vehicle speed:
- 1.7.2. Maximum net power combustion engine: kW at min⁻¹ at A/F ratio:.....
- 1.7.3. Maximum net torque combustion engine:Nm atmin⁻¹ at A/F ratio:.....
- 2. MASSES AND DIMENSIONS**
(in kg and mm.) refer to drawings where applicable
- 2.1 Range of vehicle mass (overall)**
- 2.1.1. Unladen mass (m_k): kg
- 2.1.1.1. Distribution unladen mass (m_k): of between the axles: kg
- 2.1.2. Actual mass: kg
- 2.1.8. Mass of the optional equipment:..... kg
- 2.1.9. Mass of the superstructure:..... kg
- 2.1.10. Mass of the propulsion battery:..... kg
- 2.1.11. Mass of the gaseous fuel system as well as storage tanks for gaseous fuel:..... kg
- 2.1.12. Mass of the storage tanks to store compressed air:..... kg
- 2.1.13. Reference mass:..... kg

2.2. Range of vehicle dimensions (overall)

- 2.2.1. Length:..... mm
- 2.2.2. Width:..... mm
- 2.2.3. Height:..... mm
- 2.2.4. Wheelbase:..... mm
- 2.2.4.1. Wheelbase sidecar: mm
- 2.2.5. Track width
- 2.2.5.1. Track width front: mm.
- 2.2.5.2. Track width rear: mm.

3. GENERAL POWERTRAIN CHARACTERISTICS

3.1. Manufacturer of the propulsion unit

- 3.1.1. *Combustion engine*
- 3.1.1.1. Manufacturer:.....
- 3.1.1.2. Engine code (as marked on the engine or other means of identification):.....
- 3.1.1.3. Fuel identification marking (if available):
- 3.1.1.4. Photographs and/or drawings of the location of the code(s) and/or type-approval numbers (completed example with dimensions)⁽²⁰⁾:.....

3.2. Combustion engine

- 3.2.1. *Specific engine information*
- 3.2.1.1. Number of combustion engines:
- 3.2.1.2. Working principle: internal combustion engine (ICE)/positive ignition/compression ignition /external combustion engine (ECE)/turbine/compressed air⁽⁴⁾:.....
- 3.2.1.3. Cycle: four-stroke/two-stroke/rotary/other:
- 3.2.1.4. Cylinders
- 3.2.1.4.1. Number:

3.2.1.4.2.	Arrangement:
3.2.1.4.3.	Bore: mm
3.2.1.4.4.	Stroke:..... mm
3.2.1.4.5.	Number and configuration of stators in the case of rotary-piston engine:.....
3.2.1.4.6.	Volume of combustion chambers in the case of rotary-piston engine:cm ³
3.2.1.4.7.	Firing order:
3.2.1.5.	Engine capacity:cm ³
3.2.1.6.	Volumetric compression ratio:
3.2.1.7.	Number of inlet and exhaust valves
* 3.2.1.7.1.	Number and minimum cross-sectional areas of inlet and outlet ports:
* 3.2.1.7.2.	Valve timing or equivalent data:
* 3.2.1.7.3.	Maximum lift of valves, angles of opening and closing, or timing details of alternative distribution systems, in relation to dead centres. For variable timing system, minimum and maximum timing:.....
* 3.2.1.7.4.	Reference and/or setting ranges:
3.2.1.8.	Drawings of combustion chamber, cylinder head, piston, piston rings:.....
3.2.1.9.	Normal warm engine idling speed: min ⁻¹
3.2.1.10.	Stop-start system: yes/no
*3.2.2.	<i>Powertrain/propulsion unit/drive-train management system</i>
3.2.2.1.	PCUs/ECUs software identification number(s):..... and calibration verification number(s) :.....
3.2.3.	<i>Fuel</i>
3.2.3.1.	Fuel type:
3.2.3.2..	Vehicle fuel configuration: mono-fuel/bi- fuel/flex fuel
3.2.3.2.1.	Maximum amount of bio-fuel acceptable in fuel:% by volume

- 3.2.4. *Fuel pressure delivery and control*
- 3.2.4.1. Brief description and schematic drawing of low-and/or high-pressure fuelling wet system(s):
- 3.2.4.2. Low- and/or high-pressure fuel pump(s): yes/no
- 3.2.4.2.1. Fuel pump control: mechanical/on/off electric/continuous operation/electronically controlled variable operation:.....
- 3.2.4.2.2. For CI combustion engines and dual fuel engines only maximum fuel delivery: g/s or mm³/stroke or cycle at an engine speed of: ...min⁻¹ or, alternatively, a characteristic diagram:
(When boost control is supplied, state the characteristic fuel delivery and boost pressure versus engine speed)
- 3.2.4.3. Common rail: yes/no
- 3.2.4.4. Fuel distributor/rail/hoses: yes/no
- 3.2.4.5. Fuel pressure and/or fuel flow regulator(s): yes/no
- 3.2.5. *Fuel mass metering and control*
- 3.2.5.1. By carburettor(s): yes/no
- * 3.2.5.1.1. Operating principle and construction:
- * 3.2.5.1.2. Maximum fuel-flow rate: g/s at maximum power and torque:
- 3.2.5.1.3. Carburettor(s) settings:.....
- * 3.2.5.1.4. Carburettor diffusers:
- * 3.2.5.1.5. Carburettor fuel-level in float chamber:.....
- * 3.2.5.1.5.1. Carburettor mass of float:
- 3.2.5.1.6. Carburettor cold-starting system: manual/automatic: yes/no
- 3.2.5.1.6.1. Carburettor cold-starting system operating principle(s):.....
- 3.2.5.1.7. Mixture scavenging port: yes/no
- 3.2.5.1.7.1. Mixture scavenging port dimensions:
- 3.2.5.2. By mechanically/hydraulically controlled fuel injection: yes/no

- 3.2.5.2.1. Operation principle:
- 3.2.5.2.2. Mechanical/electronic adjustment of maximum fuel mass delivery: yes/no
- 3.2.5.3. By electronically controlled fuel injection system: yes/no
- 3.2.5.3.1. Operation principle: port injection/direct injection/pre-chamber/swirl chamber:
- 3.2.5.3.2. Fuel injector(s): single-/multi-point/direct injection/other (specify):
- 3.2.5.3.3. Total and per cylinder amount of fuel injectors:
- 3.2.5.4. Air-assisted fuel injector: yes/no:.....
- 3.2.5.4.1. Description and operating pressure of air-assist:
- 3.2.5.5. Cold start system: yes/no
- 3.2.5.5.1. Description of cold start system:
- 3.2.5.6. Auxiliary starting aid: yes/no
- 3.2.5.7. CI injection specific: yes/no
- 3.2.5.7.1. Static injection timing:
- 3.2.5.7.2. Injection advance curve:
- 3.2.6. *Gaseous fuelling system and control*
- 3.2.6.1. Brief description and schematic drawing of gaseous fuelling system(s):
- 3.2.6.2.1. Type-approval number according to UN Regulation No 67: ...
- 3.2.7. *Air-induction system*
- 3.2.7.1. Brief description and schematic drawing of gaseous intake air-flow and induction system:.....
- 3.2.7.2. Intake manifold description and working principle (e.g. fixed length/variable length/swirl valves)⁽⁴⁾ (include detailed drawings and/or photos):.....
- * 3.2.7.2.1. Description and drawings of inlet pipes and their accessories (plenum chamber, heating device with control strategy, additional air intakes, etc.):
- 3.2.7.3. Intake air pressure charger: yes/no

- 3.2.7.3.1. Brief description and schematic drawing of the intake air-pressure charger system:
- 3.2.7.3.2. Working and control principles:.....
- 3.2.7.3.3. Type(s) (turbo or supercharger, other):.....
- 3.2.7.3.4. Maximum intake air-charge pressure and flow-rate at maximum torque and power:.....kPa and g/s or charge pressure and flow-rate map:.....kPa and g/s
- 3.2.7.4. Waste gate: yes/no
- 3.2.7.5. Intercooler: yes/no
- 3.2.7.5.1. Type: air-air/air-water/other
- * 3.2.7.5.2. Intake depression at rated engine speed and at 100% load (compression ignition engines only):..... kPa
- 3.2.7.6. Air filter, (drawings, photographs):
- 3.2.7.7. Intake air-silencer description (drawings, photographs):
- *3.2.7.7.1. Working principle:
- 3.2.8. *Air-mass metering and control*
- 3.2.8.1. Brief description and schematic drawing of air-mass metering and control system:
- 3.2.8.2. Mechanical throttle body: yes/no
- 3.2.8.3. Electronic throttle control (ETC): yes/no
- 3.2.8.3.1. Schematic drawing of electronic throttle control:
- * 3.2.8.3.1.2. Description of ETC hardware redundancies regarding sensors/actuators/electric power/ground/control electronics:....
- 3.2.9. *Spark delivery system and control*
- 3.2.9.1. Brief description and schematic drawing of spark delivery and control system:
- 3.2.9.1.1. Working principle:
- * 3.2.9.1.2. Ignition advance curve or map at wide open throttle:
- 3.2.9.1.3. Static ignition timing: degrees before TDC at maximum torque and power

3.2.9.2.	Ion sense capability: yes/no
3.2.9.3.	Spark plugs:
3.2.9.3.1.	Gap setting:mm
3.2.9.4.	Ignition coil(s):
* 3.2.9.4.1.	Working principle:
* 3.2.9.4.2.	Dwell angle and timing at wide open throttle:
3.2.10.	<i>Powertrain cooling system and control</i>
3.2.10.1.	Brief description and schematic drawing of powertrain cooling and control system:
3.2.10.2.	Cooling system: liquid: yes/no
3.2.10.2.1.	Maximum temperature at outlet: °C
3.2.10.2.2.	Nominal setting of the engine temperature control mechanism:
3.2.10.2.3.	Nature of liquid:
3.2.10.2.4.	Circulating pump(s): yes/no
3.2.10.2.4.1.	Characteristics:
3.2.10.2.5.	Drive ratio(s):
3.2.10.2.6.	Description of the fan and its drive mechanism:
3.2.10.3.	Air cooling: yes/no
3.2.10.3.1.	Reference point:
3.2.10.3.2.	Maximum temperature at reference point:°C
3.2.10.3.3.	Fan: yes/no
3.2.10.3.3.1.	Characteristics:
3.2.10.3.3.2.	Drive ratio(s):
3.2.11.	<i>Powertrain lubrication system and control</i>
3.2.11.1.	Brief description and schematic drawing of powertrain lubrication and control system:

- 3.2.11.2. Lubrication system configuration(s) (wet sump, dry sump, other, pump/injection into induction system/mixed with the fuel, etc.):
- 3.2.11.3. Location of oil reservoir (if any):.....
- 3.2.11.4. Feed system (pump/injection into induction system/mixed with the fuel, etc.):
- 3.2.11.5. Lubricating pump: yes/no
- 3.2.11.6. Oil cooler: yes/no
- 3.2.11.6.1. Drawing
- 3.2.11.7. Lubricant(s) characteristics:
- 3.2.11.8. Lubricant mixed with the fuel: yes/no:
- 3.2.11.8.1. Percentage range of lubricant mixed with the fuel:.....
- 3.2.12. *Exhaust system and control*
- 3.2.12.1. Brief description and schematic drawing of exhaust devices for noise and tailpipe emission control:
- 3.2.12.2. Description and drawing of the exhaust manifold:
- 3.2.12.3. Description and detailed drawing of the exhaust device:
- 3.2.12.4. Maximum permissible exhaust back-pressure at rated engine speed and at 100% load: kPa
- 3.2.12.5. Type, marking of exhaust noise-abatement device(s):.....
- * 3.2.12.6. Noise-reducing measures in the engine compartment and on the engine where relevant for external noise:.....
- 3.2.12.7. Location of the exhaust outlet:
- 3.2.12.8.
- 3.2.13. *Other electrical systems and control than those intended for the electrical propulsion unit*
- 3.2.13.1. Rated voltage: V, positive/negative ground
- 3.2.13.2. Generator: yes/no:
- 3.2.13.2.1. Nominal output: VA

- 3.2.13.3. Battery(ies) : yes/no
- 3.2.13.3.1. Capacity and other characteristics (mass,...):
- ~~3.2.13.4.~~
- 3.3. Other engines, electric motors or combinations (specific information concerning the parts of these motors)**
- 3.3.1. *Cooling system (temperatures permitted by the manufacturer)*
- 3.3.1.1. Liquid cooling:
- 3.3.1.1.1. Maximum temperature at outlet: °C
- 3.3.1.2. Air cooling:
- 3.3.1.2.1. Reference point:
- 3.3.1.2.2. Maximum temperature at reference point: °C
- 3.3.2. *Lubrication system*
- 3.3.2.1. Description of lubrication system:
- 3.3.2.2. Location of oil reservoir (if any) :
- 3.3.2.3. Feed system (pump/injection into induction system/mixed with the fuel, etc.):
- 3.3.2.4. Lubricant mixed with the fuel:
- 3.3.2.4.1. Percentage:
- 3.3.2.5. Oil cooler: yes/no:
- *3.3.2.5.1. Drawing(s) :
- 3.4. Drive-train and control**
- 3.4.1. Brief description and schematic drawing of the vehicle drive-train and its control system (gear shift control, clutch control or any other element of drive-train):
- 3.4.2. *Clutch*
- 3.4.2.1. Brief description and schematic drawing of the clutch and its control system:

- 3.4.3. *Transmission*
- 3.4.3.1. Brief description and schematic drawing of gear shift system(s) and its control:
- 3.4.3.2. Drawing of the transmission:
- 3.4.3.3. Type (mechanical, hydraulic, electric, manual/manual automated/automatic/CVT/ other (indicate).):
- 3.4.3.4. A brief description of the electrical/electronic components (if any):
- 3.4.3.5. Location relative to the engine:.....
- 3.4.3.6. Method of control:
- 3.4.4. *Gear ratios*

Overview gear ratios

Gear	Internal transmission ratios (ratios of engine to transmission output shaft revolutions)	Final drive ratio(s) (ratio of transmission output shaft to driven wheel revolutions)	Total gear ratios	Ratio (engine speed/vehicle speed) for manual transmission only
Maximum for CVT (+) 1 2 3 ...				
Minimum for CVT(+)				
Reverse				
(+) Continuously variable transmission				

- 3.4.4.1. Final drive ratio:
- 3.4.4.2. Overall gear ratio in highest gear:.....

4.	GENERAL INFORMATION ON ENVIRONMENTAL AND PROPULSION PERFORMANCE
4.0	General information on environmental and propulsion unit performance
4.1.	Tailpipe emission-control system
4.1.1.	Brief description and schematic drawing of the tailpipe emission-control system and its control:.....
4.1.2.	<i>Catalytic converter</i>
4.1.2.1.	Configuration, number of catalytic converters and elements (information to be provided for each separate unit):.....
4.1.2.2.	Drawing with dimensions, shape and volume of the catalytic converter(s):.....
4.1.2.3.	Catalytic reaction:
* 4.1.2.4.	Total charge of precious metals:
* 4.1.2.5.	Relative concentration:
* 4.1.2.6.	Substrate (structure and material):
* 4.1.2.7.	Cell density:
* 4.1.2.8.	Casing for the catalytic converter(s):
4.1.2.9.	Location of the catalytic converter(s) (place and reference distance in the exhaust line):.....
4.1.2.10.	Catalyst heat-shield: yes/no
4.1.2.11.	Brief description and schematic drawing of the regeneration system/method of exhaust after-treatment systems and its control system:
*4.1.2.11.1.	Normal operating temperature range:°C
4.1.2.11.2.	Consumable reagents: yes/no
4.1.2.11.3.	Brief description and schematic drawing of the reagent flow (wet) system and its control system:
4.1.2.11.4.	Type and concentration of reagent needed for catalytic action:.....

- *4.1.2.11.5. Normal operational temperature range of reagent:°C
- 4.1.2.11.6. Frequency of reagent refill: continuous/maintenance
- 4.1.2.12. Identifying part number:
- 4.1.3. *Oxygen sensor(s)*
- 4.1.3.1. Oxygen sensor component(s) drawing(s):.....
- 4.1.3.2. Drawing of exhaust device with oxygen sensor location(s) (dimensions relative to exhaust valves):
- 4.1.3.3. Control range(s):
- 4.1.3.4. Identifying part number(s):
- 4.1.3.5. Description of oxygen sensor heating system and heating strategy:.....
- 4.1.3.6. Oxygen sensor heat shield(s): yes/no
- 4.1.4. *Secondary air-injection (air-inject in exhaust)*
- 4.1.4.1. Brief description and schematic drawing of the secondary air-injection system and its control system:
- 4.1.4.2. Configuration (mechanical, pulse air, air pump etc.):
- 4.1.4.3. Working principle:
- 4.1.5. *External exhaust gas recirculation (EGR)*
- 4.1.5.1. Brief description and schematic drawing of the EGR system (exhaust flow) and its control system:
- 4.1.5.2. Characteristics:.....
- 4.1.5.3. Water-cooled EGR system: yes/no
- 4.1.5.4. Air-cooled EGR system: yes/no
- 4.1.6. *Particulate filter*
- 4.1.6.1. PT component drawing with dimensions, shape and capacity of the particulate filter:
- 4.1.6.2. Design of the particulate filter:
- 4.1.6.3. Brief description and schematic drawing of the particulate filter and its control system:.....

-
- 4.1.6.4. Location (reference distance in the exhaust line):.....
 - 4.1.6.5. Method or system of regeneration, description and drawing:
 - 4.1.6.6. Identifying part number:
 - 4.1.7. *Lean NOx trap*
 - 4.1.7.1. Operation principle of lean NOx trap:.....
 - 4.1.8. *Additional tailpipe emission-control devices (if any not covered under another heading)*
 - 4.1.8.1. Working principle:

5. VEHICLE PROPULSION FAMILY

- 5.1. To define the vehicle propulsion unit family, the manufacturer shall submit the information required for classification criteria set out in paragraph 2 of Appendix 9 to Annex 4, if not already provided in the information document.

Annex 4 - Appendix 10

Template form to record coast down times.

Trade name: Production number (Body):

Date: / / Place of the test: Name of recorder

Climate: Atmospheric pressure: kPa Atmospheric temperature: : °C

Wind speed (parallel/perpendicular): / m/s

Rider height:.....m

<i>Test Vehicle speed km/h</i>	<i>Coast down time(s) in s</i>	<i>Statistic al accuracy in percent</i>	<i>Average coast down time in s</i>	<i>Running resistance in N</i>	<i>Target running resistance in N</i>	<i>Note</i>
	First					
	Second					
	First					
	Second					
	First					
	Second					
	First					
	Second					
	First					
	Second					
	First					
	Second					

Note: Curve fitting: $F^* = \dots + \dots v^2$

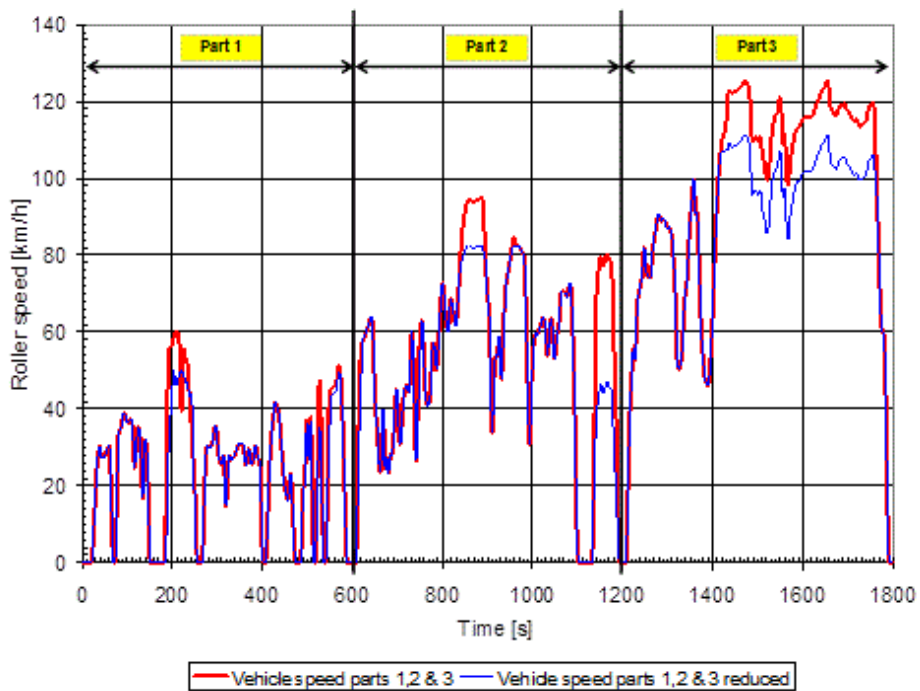
Annex 4 - Appendix 12

Driving cycles for the type I test.

1. **World Harmonised Motorcycle Test Cycle (WMTC), description of the test cycle**

The WMTC to be used on the chassis dynamometer shall be as depicted in the following graph and as specified in the following paragraphs:

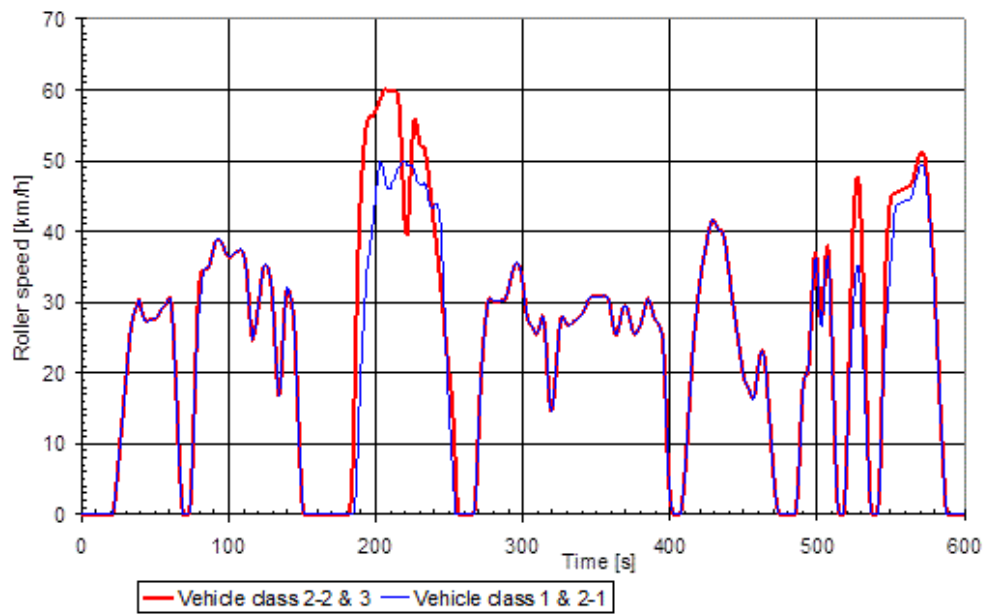
Figure A4.App12/1
WMTC drive cycle



In Tables A4.App12/1 to A4.App12/32, "acc" means "acceleration", "dec" means "deceleration"

- 1.1. The WMTC lasts 1800 seconds and consists of three parts to be carried out without interruption. The characteristic driving conditions (idling, acceleration, steady vehicle speed, deceleration, etc.) are set out in the following paragraphs and tables.
- 1.2. WMTC, cycle part 1

Figure A4.App12/2
WMTC, part 1



- 1.2.1 The characteristic desired vehicle speed versus test time of WMTC, cycle part 1 is set out in the following tables.

Table A4.App12/1
 WMTC, cycle part 1, reduced vehicle speed for vehicle classes 1 and 2-1, 0 to 180 s

time in s	roller speed in km/h	phase indicators				time in s	roller speed in km/h	phase indicators				time in s	roller speed in km/h	phase indicators			
		stop	acc	cruise	dec			stop	acc	cruise	dec			stop	acc	cruise	dec
0	0.0	X				33	25.6		X			66	9.3				X
1	0.0	X				34	27.1		X			67	4.8				X
2	0.0	X				35	28.0		X			68	1.9				X
3	0.0	X				36	28.7		X			69	0.0	X			
4	0.0	X				37	29.2		X			70	0.0	X			
5	0.0	X				38	29.8		X			71	0.0	X			
6	0.0	X				39	30.3			X		72	0.0	X			
7	0.0	X				40	29.6			X		73	0.0	X			
8	0.0	X				41	28.7			X		74	1.7		X		
9	0.0	X				42	27.9			X		75	5.8		X		
10	0.0	X				43	27.4			X		76	11.8		X		
11	0.0	X				44	27.3			X		77	17.3		X		
12	0.0	X				45	27.3			X		78	22.0		X		
13	0.0	X				46	27.4			X		79	26.2		X		
14	0.0	X				47	27.5			X		80	29.4		X		
15	0.0	X				48	27.6			X		81	31.1		X		
16	0.0	X				49	27.6			X		82	32.9		X		
17	0.0	X				50	27.6			X		83	34.7		X		
18	0.0	X				51	27.8			X		84	34.8		X		
19	0.0	X				52	28.1			X		85	34.8		X		
20	0.0	X				53	28.5			X		86	34.9		X		
21	0.0	X				54	28.9			X		87	35.4		X		
22	1.0		X			55	29.2			X		88	36.2		X		
23	2.6		X			56	29.4			X		89	37.1		X		
24	4.8		X			57	29.7			X		90	38.0		X		
25	7.2		X			58	30.0			X		91	38.7			X	
26	9.6		X			59	30.5			X		92	38.9			X	
27	12.0		X			60	30.6				X	93	38.9			X	
28	14.3		X			61	29.6				X	94	38.8			X	
29	16.6		X			62	26.9				X	95	38.5			X	
30	18.9		X			63	23.0				X	96	38.1			X	
31	21.2		X			64	18.6				X	97	37.5			X	
32	23.5		X			65	14.1				X	98	37.0			X	

time in s	roller speed in km/h	phase indicators				time in s	roller speed in km/h	phase indicators				time in s	roller speed in km/h	phase indicators			
		stop	acc	cruise	dec			stop	acc	cruise	dec			stop	acc	cruise	dec
99	36.7			X		126	35.2				X	154	0.0	X			
100	36.5			X		127	34.7				X	155	0.0	X			
101	36.5			X		128	33.9				X	156	0.0	X			
102	36.6			X		129	32.4				X	157	0.0	X			
103	36.8			X		130	29.8				X	158	0.0	X			
104	37.0			X		131	26.1				X	159	0.0	X			
105	37.1			X		132	22.1				X	160	0.0	X			
106	37.3			X		133	18.6				X	161	0.0	X			
107	37.4			X		134	16.8		X			162	0.0	X			
108	37.5			X		135	17.7		X			163	0.0	X			
109	37.4			X		136	21.1		X			164	0.0	X			
110	36.9				X	137	25.4		X			165	0.0	X			
111	36.0				X	138	29.2		X			166	0.0	X			
112	34.8				X	139	31.6		X			167	0.0	X			
113	31.9				X	140	32.1				X	168	0.0	X			
114	29.0				X	141	31.6				X	169	0.0	X			
115	26.9				X	142	30.7				X	170	0.0	X			
116	24.7			X		143	29.7				X	171	0.0	X			
117	25.4			X		144	28.1				X	172	0.0	X			
118	26.4			X		145	25.0				X	173	0.0	X			
119	27.7			X		146	20.3				X	174	0.0	X			
120	29.4			X		147	15.0				X	175	0.0	X			
						148	9.7				X	176	0.0	X			
121	31.2			X		149	5.0				X	177	0.0	X			
122	33.0			X		150	1.6				X	178	0.0	X			
123	34.4			X		151	0.0	X				179	0.0	X			
124	35.2			X		152	0.0	X				180	0.0	X			
125	35.4				X	153	0.0	X									

Table A4.App12/2
 WMTC, cycle part 1, reduced vehicle speed for vehicle classes 1 and 2-1, 181 to 360 s

time in s	roller speed in km/h	phase indicators				time in s	roller speed in km/h	phase indicators				time in s	roller speed in km/h	phase indicators			
		stop	acc	cruise	dec			stop	acc	cruise	dec			stop	acc	cruise	dec
181	0.0	X				211	46.9			X		241	43.9			X	
182	0.0	X				212	47.2			X		242	43.8				X
183	0.0	X				213	47.8			X		243	43.0				X
184	0.0	X				214	48.4			X		244	40.9				X
185	0.4		X			215	48.9			X		245	36.9				X
186	1.8		X			216	49.2			X		246	32.1				X
187	5.4		X			217	49.6			X		247	26.6				X
188	11.1		X			218	49.9			X		248	21.8				X
189	16.7		X			219	50.0			X		249	17.2				X
190	21.3		X			220	49.8			X		250	13.7				X
191	24.8		X			221	49.5			X		251	10.3				X
192	28.4		X			222	49.2			X		252	7.0				X
193	31.8		X			223	49.3			X		253	3.5				X
194	34.6		X			224	49.4			X		254	0.0	X			
195	36.3		X			225	49.4			X		255	0.0	X			
196	37.8		X			226	48.6			X		256	0.0	X			
197	39.6		X			227	47.8			X		257	0.0	X			
198	41.3		X			228	47.0			X		258	0.0	X			
199	43.3		X			229	46.9			X		259	0.0	X			
200	45.1		X			230	46.6			X		260	0.0	X			
201	47.5		X			231	46.6			X		261	0.0	X			
202	49.0		X			232	46.6			X		262	0.0	X			
203	50.0			X		233	46.9			X		263	0.0	X			
204	49.5			X		234	46.4			X		264	0.0	X			
205	48.8			X		235	45.6			X		265	0.0	X			
206	47.6			X		236	44.4			X		266	0.0	X			
207	46.5			X		237	43.5			X		267	0.5		X		
208	46.1			X		238	43.2			X		268	2.9		X		
209	46.1			X		239	43.3			X		269	8.2		X		
210	46.6			X		240	43.7			X		270	13.2		X		

time in s	roller speed in km/h	phase indicators				time in s	roller speed in km/h	phase indicators				time in s	roller speed in km/h	phase indicators			
		stop	acc	cruise	dec			stop	acc	cruise	dec			stop	acc	cruise	dec
271	17.8		X			301	30.6			X		331	26.6			X	
272	21.4		X			302	29.0			X		332	26.8			X	
273	24.1		X			303	27.8			X		333	27.0			X	
274	26.4		X			304	27.2			X		334	27.2			X	
275	28.4		X			305	26.9			X		335	27.4			X	
276	29.9		X			306	26.5			X		336	27.5			X	
277	30.5			X		307	26.1			X		337	27.7			X	
278	30.5			X		308	25.7			X		338	27.9			X	
279	30.3			X		309	25.5			X		339	28.1			X	
280	30.2			X		310	25.7			X		340	28.3			X	
281	30.1			X		311	26.4			X		341	28.6			X	
282	30.1			X		312	27.3			X		342	29.1			X	
283	30.1			X		313	28.1			X		343	29.6			X	
284	30.2			X		314	27.9				X	344	30.1			X	
285	30.2			X		315	26.0				X	345	30.6			X	
286	30.2			X		316	22.7				X	346	30.8			X	
287	30.2			X		317	19.0				X	347	30.8			X	
288	30.5			X		318	16.0				X	348	30.8			X	
289	31.0			X		319	14.6		X			349	30.8			X	
290	31.9			X		320	15.2		X			350	30.8			X	
291	32.8			X		321	16.9		X			351	30.8			X	
292	33.7			X		322	19.3		X			352	30.8			X	
293	34.5			X		323	22.0		X			353	30.8			X	
294	35.1			X		324	24.6		X			354	30.9			X	
295	35.5			X		325	26.8		X			355	30.9			X	
296	35.6			X		326	27.9		X			356	30.9			X	
297	35.4			X		327	28.0			X		357	30.8			X	
298	35.0			X		328	27.7			X		358	30.4			X	
299	34.0			X		329	27.1			X		359	29.6			X	
300	32.4			X		330	26.8			X		360	28.4			X	

Table A4.App12/3

WMTC. cycle part 1. reduced vehicle speed for vehicle classes 1 and 2-1. 361 to 540 s

time in s	roller speed in km/h	phase indicators				time in s	roller speed in km/h	phase indicators				time in s	roller speed in km/h	phase indicators			
		stop	acc	cruise	dec			stop	acc	cruise	dec			stop	acc	cruise	dec
361	27.1			X		391	27.2			X		421	34.0		X		
362	26.0			X		392	26.9				X	422	35.4		X		
363	25.4			X		393	26.4				X	423	36.5		X		
364	25.5			X		394	25.7				X	424	37.5		X		
365	26.3			X		395	24.9				X	425	38.6		X		
366	27.3			X		396	21.4				X	426	39.6		X		
367	28.3			X		397	15.9				X	427	40.7		X		
368	29.2			X		398	9.9				X	428	41.4		X		
369	29.5			X		399	4.9				X	429	41.7			X	
370	29.4			X		400	2.1				X	430	41.4			X	
371	28.9			X		401	0.9				X	431	40.9			X	
372	28.1			X		402	0.0	X				432	40.5			X	
373	27.1			X		403	0.0	X				433	40.2			X	
374	26.3			X		404	0.0	X				434	40.1			X	
375	25.7			X		405	0.0	X				435	40.1			X	
376	25.5			X		406	0.0	X				436	39.8				X
377	25.6			X		407	0.0	X				437	38.9				X
378	25.9			X		408	1.2		X			438	37.4				X
379	26.3			X		409	3.2		X			439	35.8				X
380	26.9			X		410	5.9		X			440	34.1				X
381	27.6			X		411	8.8		X			441	32.5				X
382	28.4			X		412	12.0		X			442	30.9				X
383	29.3			X		413	15.4		X			443	29.4				X
384	30.1			X		414	18.9		X			444	27.9				X
385	30.4			X		415	22.1		X			445	26.5				X
386	30.2			X		416	24.7		X			446	25.0				X
387	29.5			X		417	26.8		X			447	23.4				X
388	28.6			X		418	28.7		X			448	21.8				X
389	27.9			X		419	30.6		X			449	20.3				X
390	27.5			X		420	32.4		X			450	19.3				X

time in s	roller speed in km/h	phase indicators				time in s	roller speed in km/h	phase indicators				time in s	roller speed in km/h	phase indicators			
		stop	acc	cruise	dec			stop	acc	cruise	dec			stop	acc	cruise	dec
451	18.7				X	481	0.0	X				511	16.7				X
452	18.3				X	482	0.0	X				512	10.7				X
453	17.8				X	483	0.0	X				513	4.7				X
454	17.4				X	484	0.0	X				514	1.2				X
455	16.8				X	485	0.0	X				515	0.0	X			
456	16.3			X		486	1.4		X			516	0.0	X			
457	16.5			X		487	4.5		X			517	0.0	X			
458	17.6			X		488	8.8		X			518	0.0	X			
459	19.2			X		489	13.4		X			519	3.0		X		
460	20.8			X		490	17.3		X			520	8.2		X		
461	22.2			X		491	19.2		X			521	14.3		X		
462	23.0			X		492	19.7		X			522	19.3		X		
463	23.0				X	493	19.8		X			523	23.5		X		
464	22.0				X	494	20.7		X			524	27.3		X		
465	20.1				X	495	23.7		X			525	30.8		X		
466	17.7				X	496	27.9		X			526	33.7		X		
467	15.0				X	497	31.9		X			527	35.2		X		
468	12.1				X	498	35.4		X			528	35.2				X
469	9.1				X	499	36.2				X	529	32.5				X
470	6.2				X	500	34.2				X	530	27.9				X
471	3.6				X	501	30.2				X	531	23.2				X
472	1.8				X	502	27.1				X	532	18.5				X
473	0.8				X	503	26.6		X			533	13.8				X
474	0.0	X				504	28.6		X			534	9.1				X
475	0.0	X				505	32.6		X			535	4.5				X
476	0.0	X				506	35.5		X			536	2.3				X
477	0.0	X				507	36.6				X	537	0.0	X			
478	0.0	X				508	34.6				X	538	0.0	X			
479	0.0	X				509	30.0				X	539	0.0	X			
480	0.0	X				510	23.1				X	540	0.0	X			

Table A4.App12/4

WMTC. cycle part 1. reduced vehicle speed for vehicle classes 1 and 2-1. 541 to 600 s

<i>time in s</i>	<i>roller speed in km/h</i>	<i>phase indicators</i>			
		<i>stop</i>	<i>acc</i>	<i>cruise</i>	<i>dec</i>
541	0.0	X			
542	2.8		X		
543	8.1		X		
544	14.3		X		
545	19.2		X		
546	23.5		X		
547	27.2		X		
548	30.5		X		
549	33.1		X		
550	35.7		X		
551	38.3		X		
552	41.0		X		
553	43.6			X	
554	43.7			X	
555	43.8			X	
556	43.9			X	
557	44.0			X	
558	44.1			X	
559	44.2			X	
560	44.3			X	
561	44.4			X	
562	44.5			X	
563	44.6			X	
564	44.9			X	
565	45.5			X	
566	46.3			X	
567	47.1			X	
568	48.0			X	
569	48.7			X	
570	49.2			X	
571	49.4			X	
572	49.3			X	
573	48.7				X

<i>time in s</i>	<i>roller speed in km/h</i>	<i>phase indicators</i>			
		<i>stop</i>	<i>acc</i>	<i>cruise</i>	<i>dec</i>
574	47.3				X
575	45.0				X
576	42.3				X
577	39.5				X
578	36.6				X
579	33.7				X
580	30.1				X
581	26.0				X
582	21.8				X
583	17.7				X
584	13.5				X
585	9.4				X
586	5.6				X
587	2.1				X
588	0.0	X			
589	0.0	X			
590	0.0	X			
591	0.0	X			
592	0.0	X			
593	0.0	X			
594	0.0	X			
595	0.0	X			
596	0.0	X			
597	0.0	X			
598	0.0	X			
599	0.0	X			
600	0.0	X			

Table A4.App12/5
WMTC. cycle part 1 for vehicle classes 2-2 and 3. 0 to 180 s

time in s	roller speed in km/h	phase indicators				time in s	roller speed in km/h	phase indicators				time in s	roller speed in km/h	phase indicators			
		stop	acc	cruise	dec			stop	acc	cruise	dec			stop	acc	cruise	dec
0	0.0	X				33	25.6		X			66	9.4				X
1	0.0	X				34	27.1		X			67	4.9				X
2	0.0	X				35	28.0		X			68	2.0				X
3	0.0	X				36	28.7		X			69	0.0	X			
4	0.0	X				37	29.2		X			70	0.0	X			
5	0.0	X				38	29.8		X			71	0.0	X			
6	0.0	X				39	30.4			X		72	0.0	X			
7	0.0	X				40	29.6			X		73	0.0	X			
8	0.0	X				41	28.7			X		74	1.7		X		
9	0.0	X				42	27.9			X		75	5.8		X		
10	0.0	X				43	27.5			X		76	11.8		X		
11	0.0	X				44	27.3			X		77	18.3		X		
12	0.0	X				45	27.4			X		78	24.5		X		
13	0.0	X				46	27.5			X		79	29.4		X		
14	0.0	X				47	27.6			X		80	32.5		X		
15	0.0	X				48	27.6			X		81	34.2		X		
16	0.0	X				49	27.6			X		82	34.4		X		
17	0.0	X				50	27.7			X		83	34.5		X		
18	0.0	X				51	27.8			X		84	34.6		X		
19	0.0	X				52	28.1			X		85	34.7		X		
20	0.0	X				53	28.6			X		86	34.8		X		
21	0.0	X				54	29.0			X		87	35.2		X		
22	1.0		X			55	29.2			X		88	36.0		X		
23	2.6		X			56	29.5			X		89	37.0		X		
24	4.8		X			57	29.7			X		90	37.9		X		
25	7.2		X			58	30.1			X		91	38.6		X		
26	9.6		X			59	30.5			X		92	38.8			X	
27	12.0		X			60	30.7			X		93	38.8			X	
28	14.3		X			61	29.7				X	94	38.7			X	
29	16.6		X			62	27.0				X	95	38.5			X	
30	18.9		X			63	23.0				X	96	38.0			X	
31	21.2		X			64	18.7				X	97	37.4			X	
32	23.5		X			65	14.2				X	98	36.9			X	

time in s	roller speed in km/h	phase indicators				time in s	roller speed in km/h	phase indicators				time in s	roller speed in km/h	phase indicators				
		stop	acc	cruise	dec			stop	acc	cruise	dec			stop	acc	cruise	dec	
99	36.6			X		126	35.1				X	154	0.0	X				
100	36.4			X		127	34.6				X	155	0.0	X				
101	36.4			X		128	33.7				X	156	0.0	X				
102	36.5			X		129	32.2				X	157	0.0	X				
103	36.7			X		130	29.6				X	158	0.0	X				
104	36.9			X		131	26.0				X	159	0.0	X				
105	37.0			X		132	22.0				X	160	0.0	X				
106	37.2			X		133	18.5				X	161	0.0	X				
107	37.3			X		134	16.6		X			162	0.0	X				
108	37.4			X		135	17.6		X			163	0.0	X				
109	37.3			X		136	21.0		X			164	0.0	X				
110	36.8			X		137	25.2		X			165	0.0	X				
111	35.8				X	138	29.1		X			166	0.0	X				
112	34.7				X	139	31.4		X			167	0.0	X				
113	31.8				X	140	31.9				X	168	0.0	X				
114	28.9				X	141	31.4				X	169	0.0	X				
115	26.7				X	142	30.6				X	170	0.0	X				
116	24.6			X		143	29.5				X	171	0.0	X				
117	25.2			X		144	28.0				X	172	0.0	X				
118	26.2			X		145	24.9				X	173	0.0	X				
119	27.6			X		146	20.2				X	174	0.0	X				
120	29.2			X		147	14.8				X	175	0.0	X				
						148	9.5				X	176	0.0	X				
121	31.0			X		149	4.8				X	177	0.0	X				
122	32.8			X		150	1.4				X	178	0.0	X				
123	34.3			X		151	0.0	X				179	0.0	X				
124	35.1			X		152	0.0	X				180	0.0	X				
125	35.3				X	153	0.0	X										

Table A4.App12/6
WMTC. cycle part 1 for vehicle classes 2-2 and 3. 181 to 360 s

time in s	roller speed in km/h	phase indicators				time in s	roller speed in km/h	phase indicators				time in s	roller speed in km/h	phase indicators			
		stop	acc	cruise	dec			stop	acc	cruise	dec			stop	acc	cruise	dec
181	0.0	X				211	59.9			X		241	38.3				X
182	0.0	X				212	59.9			X		242	36.4				X
183	2.0		X			213	59.8			X		243	34.6				X
184	6.0		X			214	59.6				X	244	32.7				X
185	12.4		X			215	59.1				X	245	30.6				X
186	21.4		X			216	57.1				X	246	28.1				X
187	30.0		X			217	53.2				X	247	25.5				X
188	37.1		X			218	48.3				X	248	23.1				X
189	42.5		X			219	43.9				X	249	21.2				X
190	46.6		X			220	40.3				X	250	19.5				X
191	49.8		X			221	39.5				X	251	17.8				X
192	52.4		X			222	41.3		X			252	15.3				X
193	54.4		X			223	45.2		X			253	11.5				X
194	55.6		X			224	50.1		X			254	7.2				X
195	56.1			X		225	53.7		X			255	2.5				X
196	56.2			X		226	55.8		X			256	0.0	X			
197	56.2			X		227	55.8				X	257	0.0	X			
198	56.2			X		228	54.7				X	258	0.0	X			
199	56.7			X		229	53.3				X	259	0.0	X			
200	57.2			X		230	52.3				X	260	0.0	X			
201	57.7			X		231	52.0				X	261	0.0	X			
202	58.2			X		232	52.1				X	262	0.0	X			
203	58.7			X		233	51.8				X	263	0.0	X			
204	59.3			X		234	50.8				X	264	0.0	X			
205	59.8			X		235	49.2				X	265	0.0	X			
206	60.0			X		236	47.5				X	266	0.0	X			
207	60.0			X		237	45.7				X	267	0.5		X		
208	59.9			X		238	43.9				X	268	2.9		X		
209	59.9			X		239	42.0				X	269	8.2		X		
210	59.9			X		240	40.2				X	270	13.2		X		

time in s	roller speed in km/h	phase indicators				time in s	roller speed in km/h	phase indicators				time in s	roller speed in km/h	phase indicators			
		stop	acc	cruise	dec			stop	acc	cruise	dec			stop	acc	cruise	dec
271	17.8		X			301	30.6			X		331	26.6			X	
272	21.4		X			302	28.9			X		332	26.8			X	
273	24.1		X			303	27.8			X		333	27.0			X	
274	26.4		X			304	27.2			X		334	27.2			X	
275	28.4		X			305	26.9			X		335	27.4			X	
276	29.9		X			306	26.5			X		336	27.6			X	
277	30.5		X			307	26.1			X		337	27.7			X	
278	30.5			X		308	25.7			X		338	27.9			X	
279	30.3			X		309	25.5			X		339	28.1			X	
280	30.2			X		310	25.7			X		340	28.3			X	
281	30.1			X		311	26.4			X		341	28.6			X	
282	30.1			X		312	27.3			X		342	29.0			X	
283	30.1			X		313	28.1			X		343	29.6			X	
284	30.1			X		314	27.9				X	344	30.1			X	
285	30.1			X		315	26.0				X	345	30.5			X	
286	30.1			X		316	22.7				X	346	30.7			X	
287	30.2			X		317	19.0				X	347	30.8			X	
288	30.4			X		318	16.0				X	348	30.8			X	
289	31.0			X		319	14.6		X			349	30.8			X	
290	31.8			X		320	15.2		X			350	30.8			X	
291	32.7			X		321	16.9		X			351	30.8			X	
292	33.6			X		322	19.3		X			352	30.8			X	
293	34.4			X		323	22.0		X			353	30.8			X	
294	35.0			X		324	24.6		X			354	30.9			X	
295	35.4			X		325	26.8		X			355	30.9			X	
296	35.5			X		326	27.9		X			356	30.9			X	
297	35.3			X		327	28.1			X		357	30.8			X	
298	34.9			X		328	27.7			X		358	30.4			X	
299	33.9			X		329	27.2			X		359	29.6			X	
300	32.4			X		330	26.8			X		360	28.4			X	

Table A4.App12/7
WMTC. cycle part 1 for vehicle classes 2-2 and 3. 361 to 540 s

time in s	roller speed in km/h	phase indicators				time in s	roller speed in km/h	phase indicators				time in s	roller speed in km/h	phase indicators			
		stop	acc	cruise	dec			stop	acc	cruise	dec			stop	acc	cruise	dec
361	27.1			X		391	27.3			X		421	34.0		X		
362	26.0			X		392	27.0				X	422	35.4		X		
363	25.4			X		393	26.5				X	423	36.5		X		
364	25.5			X		394	25.8				X	424	37.5		X		
365	26.3			X		395	25.0				X	425	38.6		X		
366	27.3			X		396	21.5				X	426	39.7		X		
367	28.4			X		397	16.0				X	427	40.7		X		
368	29.2			X		398	10.0				X	428	41.5		X		
369	29.5			X		399	5.0				X	429	41.7			X	
370	29.5			X		400	2.2				X	430	41.5			X	
371	29.0			X		401	1.0				X	431	41.0			X	
372	28.1			X		402	0.0	X				432	40.6			X	
373	27.2			X		403	0.0	X				433	40.3			X	
374	26.3			X		404	0.0	X				434	40.2			X	
375	25.7			X		405	0.0	X				435	40.1			X	
376	25.5			X		406	0.0	X				436	39.8				X
377	25.6			X		407	0.0	X				437	38.9				X
378	26.0			X		408	1.2		X			438	37.5				X
379	26.4			X		409	3.2		X			439	35.8				X
380	27.0			X		410	5.9		X			440	34.2				X
381	27.7			X		411	8.8		X			441	32.5				X
382	28.5			X		412	12.0		X			442	30.9				X
383	29.4			X		413	15.4		X			443	29.4				X
384	30.2			X		414	18.9		X			444	28.0				X
385	30.5			X		415	22.1		X			445	26.5				X
386	30.3			X		416	24.8		X			446	25.0				X
387	29.5			X		417	26.8		X			447	23.5				X
388	28.7			X		418	28.7		X			448	21.9				X
389	27.9			X		419	30.6		X			449	20.4				X
390	27.5			X		420	32.4		X			450	19.4				X

time in s	roller speed in km/h	phase indicators				time in s	roller speed in km/h	phase indicators				time in s	roller speed in km/h	phase indicators			
		stop	acc	cruise	dec			stop	acc	cruise	dec			stop	acc	cruise	dec
451	18.8				X	481	0.0	X				511	17.5				X
452	18.4				X	482	0.0	X				512	10.5				X
453	18.0				X	483	0.0	X				513	4.5				X
454	17.5				X	484	0.0	X				514	1.0				X
455	16.9				X	485	0.0	X				515	0.0	X			
456	16.4			X		486	1.4		X			516	0.0	X			
457	16.6			X		487	4.5		X			517	0.0	X			
458	17.7			X		488	8.8		X			518	0.0	X			
459	19.4			X		489	13.4		X			519	2.9		X		
460	20.9			X		490	17.3		X			520	8.0		X		
461	22.3			X		491	19.2		X			521	16.0		X		
462	23.2			X		492	19.7		X			522	24.0		X		
463	23.2				X	493	19.8		X			523	32.0		X		
464	22.2				X	494	20.7		X			524	38.8		X		
465	20.3				X	495	23.6		X			525	43.1		X		
466	17.9				X	496	28.1		X			526	46.0		X		
467	15.2				X	497	32.8		X			527	47.5				X
468	12.3				X	498	36.3		X			528	47.5				X
469	9.3				X	499	37.1				X	529	44.8				X
470	6.4				X	500	35.1				X	530	40.1				X
471	3.8				X	501	31.1				X	531	33.8				X
472	2.0				X	502	28.0				X	532	27.2				X
473	0.9				X	503	27.5		X			533	20.0				X
474	0.0	X				504	29.5		X			534	12.8				X
475	0.0	X				505	34.0		X			535	7.0				X
476	0.0	X				506	37.0		X			536	2.2				X
477	0.0	X				507	38.0				X	537	0.0	X			
478	0.0	X				508	36.1				X	538	0.0	X			
479	0.0	X				509	31.5				X	539	0.0	X			
480	0.0	X				510	24.5				X	540	0.0	X			

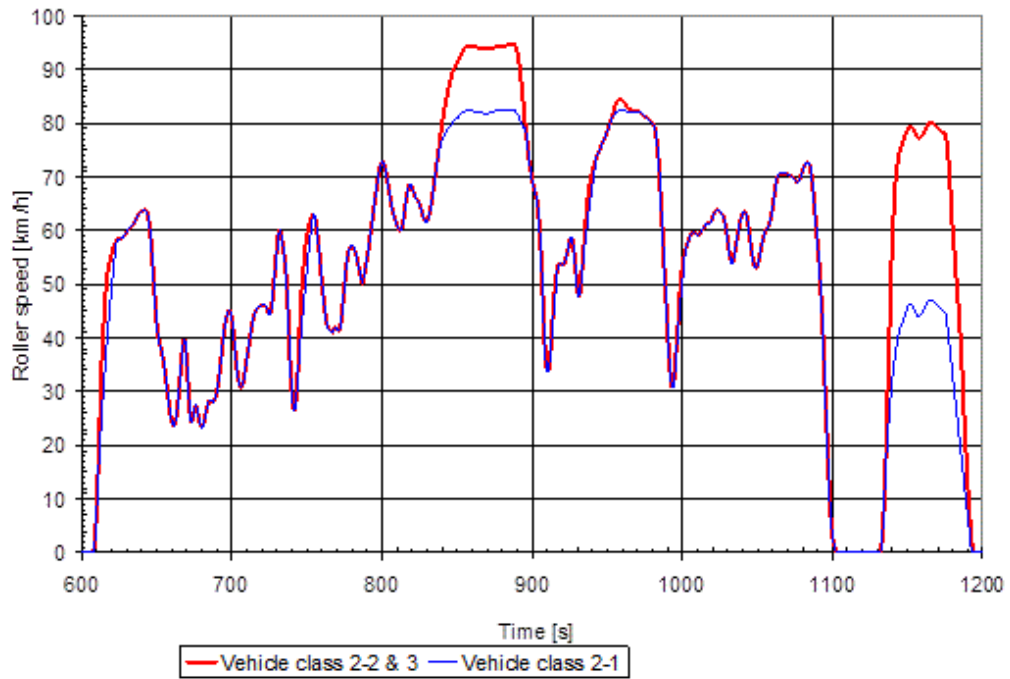
Table A4.App12/8
WMTC. cycle part 1 for vehicle classes 2-2 and 3. 541 to 600 s

<i>time in s</i>	<i>roller speed in km/h</i>	<i>phase indicators</i>			
		<i>stop</i>	<i>acc</i>	<i>cruise</i>	<i>dec</i>
541	0.0	X			
542	2.7		X		
543	8.0		X		
544	16.0		X		
545	24.0		X		
546	32.0		X		
547	37.2		X		
548	40.4		X		
549	43.1		X		
550	44.6		X		
551	45.2			X	
552	45.3			X	
553	45.4			X	
554	45.5			X	
555	45.6			X	
556	45.7			X	
557	45.8			X	
558	45.9			X	
559	46.0			X	
560	46.1			X	
561	46.2			X	
562	46.3			X	
563	46.4			X	
564	46.7			X	
565	47.2			X	
566	48.0			X	
567	48.9			X	
568	49.8			X	
569	50.5			X	
570	51.0			X	
571	51.1			X	
572	51.0			X	
573	50.4				X

<i>time in s</i>	<i>roller speed in km/h</i>	<i>phase indicators</i>			
		<i>stop</i>	<i>acc</i>	<i>cruise</i>	<i>dec</i>
574	49.0				X
575	46.7				X
576	44.0				X
577	41.1				X
578	38.3				X
579	35.4				X
580	31.8				X
581	27.3				X
582	22.4				X
583	17.7				X
584	13.4				X
585	9.3				X
586	5.5				X
587	2.0				X
588	0.0	X			
589	0.0	X			
590	0.0	X			
591	0.0	X			
592	0.0	X			
593	0.0	X			
594	0.0	X			
595	0.0	X			
596	0.0	X			
597	0.0	X			
598	0.0	X			
599	0.0	X			
600	0.0	X			

1.3. WMTC, part 2

Figure A4.App12/3



1.3.1. The characteristic desired vehicle speed versus test time of WMTC, part 2 is set out in the following tables.

Table A4.App12/9

WMTC. cycle part 2. reduced vehicle speed for vehicle class 2-1. 0 to 180 s

time in s	roller speed in km/h	phase indicators				time in s	roller speed in km/h	phase indicators				time in s	roller speed in km/h	phase indicators			
		stop	acc	cruise	dec			stop	acc	cruise	dec			stop	acc	cruise	dec
0	0.0	X				33	60.8			X		66	33.9		X		
1	0.0	X				34	61.1			X		67	37.3		X		
2	0.0	X				35	61.5			X		68	39.8				X
3	0.0	X				36	62.0			X		69	39.5				X
4	0.0	X				37	62.5			X		70	36.3				X
5	0.0	X				38	63.0			X		71	31.4				X
6	0.0	X				39	63.4			X		72	26.5				X
7	0.0	X				40	63.7			X		73	24.2				X
8	0.0	X				41	63.8			X		74	24.8				X
9	2.3		X			42	63.9			X		75	26.6				X
10	7.3		X			43	63.8			X		76	27.5				X
11	13.6		X			44	63.2				X	77	26.8				X
12	18.9		X			45	61.7				X	78	25.3				X
13	23.6		X			46	58.9				X	79	24.0				X
14	27.8		X			47	55.2				X	80	23.3			X	
15	31.8		X			48	51.0				X	81	23.7			X	
16	35.6		X			49	46.7				X	82	24.9			X	
17	39.3		X			50	42.8				X	83	26.4			X	
18	42.7		X			51	40.2				X	84	27.7			X	
19	46.0		X			52	38.8				X	85	28.3			X	
20	49.1		X			53	37.9				X	86	28.3			X	
21	52.1		X			54	36.7				X	87	28.1			X	
22	54.9		X			55	35.1				X	88	28.1		X		
23	57.5		X			56	32.9				X	89	28.6		X		
24	58.4			X		57	30.4				X	90	29.8		X		
25	58.5			X		58	28.0				X	91	31.6		X		
26	58.5			X		59	25.9				X	92	33.9		X		
27	58.6			X		60	24.4				X	93	36.5		X		
28	58.9			X		61	23.7		X			94	39.1		X		
29	59.3			X		62	23.8		X			95	41.5		X		
30	59.8			X		63	25.0		X			96	43.3		X		
31	60.2			X		64	27.3		X			97	44.5		X		
32	60.5			X		65	30.4		X			98	45.1				X

time in s	roller speed in km/h	phase indicators				time in s	roller speed in km/h	phase indicators				time in s	roller speed in km/h	phase indicators			
		stop	acc	cruise	dec			stop	acc	cruise	dec			stop	acc	cruise	dec
99	45.1				X	126	44.7		X			154	62.9		X		
100	43.9				X	127	46.8		X			155	62.9				X
101	41.4				X	128	49.9		X			156	61.7				X
102	38.4				X	129	52.8		X			157	59.4				X
103	35.5				X	130	55.6		X			158	56.6				X
104	32.9				X	131	58.2		X			159	53.7				X
105	31.3				X	132	60.2				X	160	50.7				X
106	30.7				X	133	59.3				X	161	47.7				X
107	31.0			X		134	57.5				X	162	45.0				X
108	32.2			X		135	55.4				X	163	43.1				X
109	34.0			X		136	52.5				X	164	41.9			X	
110	36.0			X		137	47.9				X	165	41.6			X	
111	37.9			X		138	41.4				X	166	41.3			X	
112	39.9			X		139	34.4				X	167	40.9			X	
113	41.6			X		140	30.0				X	168	41.8			X	
114	43.1			X		141	27.0				X	169	42.1			X	
115	44.3			X		142	26.5		X			170	41.8			X	
116	45.0			X		143	28.7		X			171	41.3			X	
117	45.5			X		144	32.7		X			172	41.5		X		
118	45.8			X		145	36.5		X			173	43.5		X		
119	46.0			X		146	40.0		X			174	46.5		X		
120	46.1			X		147	43.5		X			175	49.7		X		
						148	46.7		X			176	52.6		X		
121	46.2			X		149	49.8		X			177	55.0		X		
122	46.1			X		150	52.7		X			178	56.5		X		
123	45.7			X		151	55.5		X			179	57.1		X		
124	45.0			X		152	58.1		X			180	57.3				X
125	44.3			X		153	60.6		X								

Table A4.App12/10

WMTC. cycle part 2. reduced vehicle speed for vehicle class 2-1. 181 to 360 s

time in s	roller speed in km/h	phase indicators				time in s	roller speed in km/h	phase indicators				time in s	roller speed in km/h	phase indicators			
		stop	acc	cruise	dec			stop	acc	cruise	dec			stop	acc	cruise	dec
181	57.0				X	211	60.4				X	241	77.5		X		
182	56.3				X	212	60.0		X			242	78.1			X	
183	55.2				X	213	60.2		X			243	78.6			X	
184	53.9				X	214	61.4		X			244	79.0			X	
185	52.6				X	215	63.3		X			245	79.4			X	
186	51.4				X	216	65.5		X			246	79.7			X	
187	50.1		X			217	67.4		X			247	80.1			X	
188	51.5		X			218	68.5		X			248	80.7			X	
189	53.1		X			219	68.7				X	249	80.8			X	
190	54.8		X			220	68.1				X	250	81.0			X	
191	56.6		X			221	67.3				X	251	81.2			X	
192	58.5		X			222	66.5				X	252	81.6			X	
193	60.6		X			223	65.9				X	253	81.9			X	
194	62.8		X			224	65.5				X	254	82.1			X	
195	64.9		X			225	64.9				X	255	82.1			X	
196	67.0		X			226	64.1				X	256	82.3			X	
197	69.1		X			227	63.0				X	257	82.4			X	
198	70.9		X			228	62.1				X	258	82.4			X	
199	72.2		X			229	61.6		X			259	82.3			X	
200	72.8				X	230	61.7		X			260	82.3			X	
201	72.8				X	231	62.3		X			261	82.2			X	
202	71.9				X	232	63.5		X			262	82.2			X	
203	70.5				X	233	65.3		X			263	82.1			X	
204	68.8				X	234	67.3		X			264	82.1			X	
205	67.1				X	235	69.2		X			265	82.0			X	
206	65.4				X	236	71.1		X			266	82.0			X	
207	63.9				X	237	73.0		X			267	81.9			X	
208	62.8				X	238	74.8		X			268	81.9			X	
209	61.8				X	239	75.7		X			269	81.9			X	
210	61.0				X	240	76.7		X			270	81.9			X	

time in s	roller speed in km/h	phase indicators				time in s	roller speed in km/h	phase indicators				time in s	roller speed in km/h	phase indicators			
		stop	acc	cruise	dec			stop	acc	cruise	dec			stop	acc	cruise	dec
271	81.9			X		301	68.3				X	331	47.6		X		
272	82.0			X		302	67.3				X	332	48.4		X		
273	82.0			X		303	66.1				X	333	51.4		X		
274	82.1			X		304	63.9				X	334	54.2		X		
275	82.2			X		305	60.2				X	335	56.9		X		
276	82.3			X		306	54.9				X	336	59.4		X		
277	82.4			X		307	48.1				X	337	61.8		X		
278	82.5			X		308	40.9				X	338	64.1		X		
279	82.5			X		309	36.0				X	339	66.2		X		
280	82.5			X		310	33.9				X	340	68.2		X		
281	82.5			X		311	33.9		X			341	70.2		X		
282	82.4			X		312	36.5		X			342	72.0		X		
283	82.4			X		313	40.1		X			343	73.7		X		
284	82.4			X		314	43.5		X			344	74.4		X		
285	82.5			X		315	46.8		X			345	75.1		X		
286	82.5			X		316	49.8		X			346	75.8		X		
287	82.5			X		317	52.8		X			347	76.5		X		
288	82.4			X		318	53.9		X			348	77.2		X		
289	82.3			X		319	53.9		X			349	77.8		X		
290	81.6			X		320	53.7		X			350	78.5		X		
291	81.3			X		321	53.7		X			351	79.2		X		
292	80.3			X		322	54.3		X			352	80.0		X		
293	79.9			X		323	55.4		X			353	81.0			X	
294	79.2			X		324	56.8		X			354	81.2			X	
295	79.2			X		325	58.1		X			355	81.8			X	
296	78.4				X	326	58.9				X	356	82.2			X	
297	75.7				X	327	58.2				X	357	82.2			X	
298	73.2				X	328	55.8				X	358	82.4			X	
299	71.1				X	329	52.6				X	359	82.5			X	
300	69.5				X	330	49.2				X	360	82.5			X	

Table A4.App12/11
WMTC. cycle part 2. reduced vehicle speed for vehicle class 2-1. 361 to 540 s

time in s	roller speed in km/h	phase indicators				time in s	roller speed in km/h	phase indicators				time in s	roller speed in km/h	phase indicators				
		stop	acc	cruise	dec			stop	acc	cruise	dec			stop	acc	cruise	dec	
361	82.5			X		391	37.0				X	421	63.1				X	
362	82.5			X		392	33.0				X	422	63.6				X	
363	82.3			X		393	30.9				X	423	63.9				X	
364	82.1			X		394	30.9		X			424	63.8				X	
365	82.1			X		395	33.5		X			425	63.6				X	
366	82.1			X		396	37.2		X			426	63.3					X
367	82.1			X		397	40.8		X			427	62.8					X
368	82.1			X		398	44.2		X			428	61.9					X
369	82.1			X		399	47.4		X			429	60.5					X
370	82.1			X		400	50.4		X			430	58.6					X
371	82.1			X		401	53.3		X			431	56.5					X
372	82.1			X		402	56.1		X			432	54.6					X
373	81.9			X		403	57.3		X			433	53.8				X	
374	81.6			X		404	58.1		X			434	54.5				X	
375	81.3			X		405	58.8		X			435	56.1				X	
376	81.1			X		406	59.4		X			436	57.9				X	
377	80.8			X		407	59.8			X		437	59.7				X	
378	80.6			X		408	59.7			X		438	61.2				X	
379	80.4			X		409	59.4			X		439	62.3				X	
380	80.1			X		410	59.2			X		440	63.1				X	
381	79.7				X	411	59.2			X		441	63.6					X
382	78.6				X	412	59.6			X		442	63.5					X
383	76.8				X	413	60.0			X		443	62.7					X
384	73.7				X	414	60.5			X		444	60.9					X
385	69.4				X	415	61.0			X		445	58.7					X
386	64.0				X	416	61.2			X		446	56.4					X
387	58.6				X	417	61.3			X		447	54.5					X
388	53.2				X	418	61.4			X		448	53.3					X
389	47.8				X	419	61.7			X		449	53.0				X	
390	42.4				X	420	62.3			X		450	53.5				X	

time in s	roller speed in km/h	phase indicators				time in s	roller speed in km/h	phase indicators				time in s	roller speed in km/h	phase indicators			
		stop	acc	cruise	dec			stop	acc	cruise	dec			stop	acc	cruise	dec
451	54.6			X		481	72.0			X		511	0.0	X			
452	56.1			X		482	72.6			X		512	0.0	X			
453	57.6			X		483	72.8			X		513	0.0	X			
454	58.9			X		484	72.7			X		514	0.0	X			
455	59.8			X		485	72.0				X	515	0.0	X			
456	60.3			X		486	70.4				X	516	0.0	X			
457	60.7			X		487	67.7				X	517	0.0	X			
458	61.3			X		488	64.4				X	518	0.0	X			
459	62.4			X		489	61.0				X	519	0.0	X			
460	64.1			X		490	57.6				X	520	0.0	X			
461	66.2			X		491	54.0				X	521	0.0	X			
462	68.1			X		492	49.7				X	522	0.0	X			
463	69.7			X		493	44.4				X	523	0.0	X			
464	70.4			X		494	38.2				X	524	0.0	X			
465	70.7			X		495	31.2				X	525	0.0	X			
466	70.7			X		496	24.0				X	526	0.0	X			
467	70.7			X		497	16.8				X	527	0.0	X			
468	70.7			X		498	10.4				X	528	0.0	X			
469	70.6			X		499	5.7				X	529	0.0	X			
470	70.5			X		500	2.8				X	530	0.0	X			
471	70.4			X		501	1.6				X	531	0.0	X			
472	70.2			X		502	0.3				X	532	0.0	X			
473	70.1			X		503	0.0	X				533	2.3		X		
474	69.8			X		504	0.0	X				534	7.2		X		
475	69.5			X		505	0.0	X				535	13.5		X		
476	69.1			X		506	0.0	X				536	18.7		X		
477	69.1			X		507	0.0	X				537	22.9		X		
478	69.5			X		508	0.0	X				538	26.7		X		
479	70.3			X		509	0.0	X				539	30.0		X		
480	71.2			X		510	0.0	X				540	32.8		X		

Table A4.App12/12

WMTC. cycle part 2. reduced vehicle speed for vehicle class 2-1. 541 to 600 s

<i>time in s</i>	<i>roller speed in km/h</i>	<i>phase indicators</i>			
		<i>stop</i>	<i>acc</i>	<i>cruise</i>	<i>dec</i>
541	35.2		X		
542	37.3		X		
543	39.1		X		
544	40.8		X		
545	41.8		X		
546	42.5		X		
547	43.3		X		
548	44.1		X		
549	45.0		X		
550	45.7		X		
551	46.2			X	
552	46.3			X	
553	46.1			X	
554	45.6			X	
555	44.9			X	
556	44.4			X	
557	44.0			X	
558	44.0			X	
559	44.3			X	
560	44.8			X	
561	45.3			X	
562	45.9			X	
563	46.5			X	
564	46.8			X	
565	47.1			X	
566	47.1			X	
567	47.0			X	
568	46.7			X	
569	46.3			X	
570	45.9			X	
571	45.6			X	
572	45.4			X	
573	45.2			X	

<i>time in s</i>	<i>roller speed in km/h</i>	<i>phase indicators</i>			
		<i>stop</i>	<i>acc</i>	<i>cruise</i>	<i>dec</i>
574	45.1			X	
575	44.8				X
576	43.5				X
577	40.9				X
578	38.2				X
579	35.6				X
580	33.0				X
581	30.4				X
582	27.7				X
583	25.1				X
584	22.5				X
585	19.8				X
586	17.2				X
587	14.6				X
588	12.0				X
589	9.3				X
590	6.7				X
591	4.1				X
592	1.5				X
593	0.0	X			
594	0.0	X			
595	0.0	X			
596	0.0	X			
597	0.0	X			
598	0.0	X			
599	0.0	X			
600	0.0	X			

Table A4.App12/13
WMTC. cycle part 2 for vehicle classes 2-2 and 3. 0 to 180 s

time in s	roller speed in km/h	phase indicators				time in s	roller speed in km/h	phase indicators				time in s	roller speed in km/h	phase indicators				
		stop	acc	cruise	dec			stop	acc	cruise	dec			stop	acc	cruise	dec	
0	0.0	X				33	60.8			X		66	33.9			X		
1	0.0	X				34	61.1			X		67	37.3			X		
2	0.0	X				35	61.5			X		68	39.8			X		
3	0.0	X				36	62.0			X		69	39.5					X
4	0.0	X				37	62.5			X		70	36.3					X
5	0.0	X				38	63.0			X		71	31.4					X
6	0.0	X				39	63.4			X		72	26.5					X
7	0.0	X				40	63.7			X		73	24.2					X
8	0.0	X				41	63.8			X		74	24.8					X
9	2.3		X			42	63.9			X		75	26.6					X
10	7.3		X			43	63.8			X		76	27.5					X
11	15.2		X			44	63.2				X	77	26.8					X
12	23.9		X			45	61.7				X	78	25.3					X
13	32.5		X			46	58.9				X	79	24.0					X
14	39.2		X			47	55.2				X	80	23.3				X	
15	44.1		X			48	51.0				X	81	23.7				X	
16	48.1		X			49	46.7				X	82	24.9				X	
17	51.2		X			50	42.8				X	83	26.4				X	
18	53.3		X			51	40.2				X	84	27.7				X	
19	54.5		X			52	38.8				X	85	28.3				X	
20	55.7		X			53	37.9				X	86	28.3				X	
21	56.9			X		54	36.7				X	87	28.1				X	
22	57.5			X		55	35.1				X	88	28.1				X	
23	58.0			X		56	32.9				X	89	28.6				X	
24	58.4			X		57	30.4				X	90	29.8				X	
25	58.5			X		58	28.0				X	91	31.6				X	
26	58.5			X		59	25.9				X	92	33.9				X	
27	58.6			X		60	24.4				X	93	36.5				X	
28	58.9			X		61	23.7		X			94	39.1				X	
29	59.3			X		62	23.8		X			95	41.5				X	
30	59.8			X		63	25.0		X			96	43.3				X	
31	60.2			X		64	27.3		X			97	44.5				X	
32	60.5			X		65	30.4		X			98	45.1					X

time in s	roller speed in km/h	phase indicators				time in s	roller speed in km/h	phase indicators				time in s	roller speed in km/h	phase indicators			
		stop	acc	cruise	dec			stop	acc	cruise	dec			stop	acc	cruise	dec
99	45.1				X	126	44.7		X			154	63.1				X
100	43.9				X	127	46.8		X			155	62.9				X
101	41.4				X	128	50.1		X			156	61.7				X
102	38.4				X	129	53.6		X			157	59.4				X
103	35.5				X	130	56.9		X			158	56.6				X
104	32.9				X	131	59.4		X			159	53.7				X
105	31.3				X	132	60.2				X	160	50.7				X
106	30.7				X	133	59.3				X	161	47.7				X
107	31.0			X		134	57.5				X	162	45.0				X
108	32.2			X		135	55.4				X	163	43.1				X
109	34.0			X		136	52.5				X	164	41.9			X	
110	36.0			X		137	47.9				X	165	41.6			X	
111	37.9			X		138	41.4				X	166	41.3			X	
112	39.9			X		139	34.4				X	167	40.9			X	
113	41.6			X		140	30.0				X	168	41.8			X	
114	43.1			X		141	27.0				X	169	42.1			X	
115	44.3			X		142	26.5		X			170	41.8			X	
116	45.0			X		143	28.7		X			171	41.3			X	
117	45.5			X		144	33.8		X			172	41.5		X		
118	45.8			X		145	40.3		X			173	43.5		X		
119	46.0			X		146	46.6		X			174	46.5		X		
120	46.1			X		147	50.4		X			175	49.7		X		
						148	54.0		X			176	52.6		X		
121	46.2			X		149	56.9		X			177	55.0		X		
122	46.1			X		150	59.1		X			178	56.5		X		
123	45.7			X		151	60.6		X			179	57.1		X		
124	45.0			X		152	61.7		X			180	57.3				X
125	44.3			X		153	62.6		X								

Table A4.App12/14
WMTC. cycle part 2 for vehicle classes 2-2 and 3. 181 to 360 s

time in s	roller speed in km/h	phase indicators				time in s	roller speed in km/h	phase indicators				time in s	roller speed in km/h	phase indicators			
		stop	acc	cruise	dec			stop	acc	cruise	dec			stop	acc	cruise	dec
181	57.0				X	211	60.4				X	241	81.5		X		
182	56.3				X	212	60.0				X	242	83.1		X		
183	55.2				X	213	60.2			X		243	84.6		X		
184	53.9				X	214	61.4			X		244	86.0		X		
185	52.6				X	215	63.3			X		245	87.4		X		
186	51.4				X	216	65.5			X		246	88.7		X		
187	50.1		X			217	67.4			X		247	89.6		X		
188	51.5		X			218	68.5			X		248	90.2		X		
189	53.1		X			219	68.7				X	249	90.7		X		
190	54.8		X			220	68.1				X	250	91.2		X		
191	56.6		X			221	67.3				X	251	91.8		X		
192	58.5		X			222	66.5				X	252	92.4		X		
193	60.6		X			223	65.9				X	253	93.0		X		
194	62.8		X			224	65.5				X	254	93.6		X		
195	64.9		X			225	64.9				X	255	94.1			X	
196	67.0		X			226	64.1				X	256	94.3			X	
197	69.1		X			227	63.0				X	257	94.4			X	
198	70.9		X			228	62.1				X	258	94.4			X	
199	72.2		X			229	61.6		X			259	94.3			X	
200	72.8				X	230	61.7		X			260	94.3			X	
201	72.8				X	231	62.3		X			261	94.2			X	
202	71.9				X	232	63.5		X			262	94.2			X	
203	70.5				X	233	65.3		X			263	94.2			X	
204	68.8				X	234	67.3		X			264	94.1			X	
205	67.1				X	235	69.3		X			265	94.0			X	
206	65.4				X	236	71.4		X			266	94.0			X	
207	63.9				X	237	73.5		X			267	93.9			X	
208	62.8				X	238	75.6		X			268	93.9			X	
209	61.8				X	239	77.7		X			269	93.9			X	
210	61.0				X	240	79.7		X			270	93.9			X	

time in s	roller speed in km/h	phase indicators				time in s	roller speed in km/h	phase indicators				time in s	roller speed in km/h	phase indicators			
		stop	acc	cruise	dec			stop	acc	cruise	dec			stop	acc	cruise	dec
271	93.9			X		301	68.3				X	331	47.6		X		
272	94.0			X		302	67.3				X	332	48.4		X		
273	94.0			X		303	66.1				X	333	51.8		X		
274	94.1			X		304	63.9				X	334	55.7		X		
275	94.2			X		305	60.2				X	335	59.6		X		
276	94.3			X		306	54.9				X	336	63.0		X		
277	94.4			X		307	48.1				X	337	65.9		X		
278	94.5			X		308	40.9				X	338	68.1		X		
279	94.5			X		309	36.0				X	339	69.8		X		
280	94.5			X		310	33.9				X	340	71.1		X		
281	94.5			X		311	33.9		X			341	72.1		X		
282	94.4			X		312	36.5		X			342	72.9		X		
283	94.5			X		313	41.0		X			343	73.7		X		
284	94.6			X		314	45.3		X			344	74.4		X		
285	94.7			X		315	49.2		X			345	75.1		X		
286	94.8			X		316	51.5		X			346	75.8		X		
287	94.9			X		317	53.2		X			347	76.5		X		
288	94.8			X		318	53.9		X			348	77.2		X		
289	94.3				X	319	53.9		X			349	77.8		X		
290	93.3				X	320	53.7		X			350	78.5		X		
291	91.8				X	321	53.7		X			351	79.2		X		
292	89.6				X	322	54.3		X			352	80.0		X		
293	87.0				X	323	55.4		X			353	81.0		X		
294	84.1				X	324	56.8		X			354	82.0		X		
295	81.2				X	325	58.1		X			355	83.0		X		
296	78.4				X	326	58.9				X	356	83.7		X		
297	75.7				X	327	58.2				X	357	84.2			X	
298	73.2				X	328	55.8				X	358	84.4			X	
299	71.1				X	329	52.6				X	359	84.5			X	
300	69.5				X	330	49.2				X	360	84.4			X	

Table A4.App12/15
WMTC. cycle part 2 for vehicle classes 2-2 and 3. 361 to 540 s

time in s	roller speed in km/h	phase indicators				time in s	roller speed in km/h	phase indicators				time in s	roller speed in km/h	phase indicators			
		stop	acc	cruise	dec			stop	acc	cruise	dec			stop	acc	cruise	dec
361	84.1			X		391	37.0				X	421	63.1			X	
362	83.7			X		392	33.0				X	422	63.6			X	
363	83.2			X		393	30.9				X	423	63.9			X	
364	82.8			X		394	30.9		X			424	63.8			X	
365	82.6			X		395	33.5		X			425	63.6			X	
366	82.5			X		396	38.0		X			426	63.3				X
367	82.4			X		397	42.5		X			427	62.8				X
368	82.3			X		398	47.0		X			428	61.9				X
369	82.2			X		399	51.0		X			429	60.5				X
370	82.2			X		400	53.5		X			430	58.6				X
371	82.2			X		401	55.1		X			431	56.5				X
372	82.1			X		402	56.4		X			432	54.6				X
373	81.9			X		403	57.3		X			433	53.8			X	
374	81.6			X		404	58.1		X			434	54.5			X	
375	81.3			X		405	58.8		X			435	56.1			X	
376	81.1			X		406	59.4		X			436	57.9			X	
377	80.8			X		407	59.8			X		437	59.7			X	
378	80.6			X		408	59.7			X		438	61.2			X	
379	80.4			X		409	59.4			X		439	62.3			X	
380	80.1			X		410	59.2			X		440	63.1			X	
381	79.7				X	411	59.2			X		441	63.6				X
382	78.6				X	412	59.6			X		442	63.5				X
383	76.8				X	413	60.0			X		443	62.7				X
384	73.7				X	414	60.5			X		444	60.9				X
385	69.4				X	415	61.0			X		445	58.7				X
386	64.0				X	416	61.2			X		446	56.4				X
387	58.6				X	417	61.3			X		447	54.5				X
388	53.2				X	418	61.4			X		448	53.3				X
389	47.8				X	419	61.7			X		449	53.0			X	
390	42.4				X	420	62.3			X		450	53.5			X	

time in s	roller speed in km/h	phase indicators				time in s	roller speed in km/h	phase indicators				time in s	roller speed in km/h	phase indicators			
		stop	acc	cruise	dec			stop	acc	cruise	dec			stop	acc	cruise	dec
451	54.6			X		481	72.0			X		511	0.0	X			
452	56.1			X		482	72.6			X		512	0.0	X			
453	57.6			X		483	72.8			X		513	0.0	X			
454	58.9			X		484	72.7			X		514	0.0	X			
455	59.8			X		485	72.0				X	515	0.0	X			
456	60.3			X		486	70.4				X	516	0.0	X			
457	60.7			X		487	67.7				X	517	0.0	X			
458	61.3			X		488	64.4				X	518	0.0	X			
459	62.4			X		489	61.0				X	519	0.0	X			
460	64.1			X		490	57.6				X	520	0.0	X			
461	66.2			X		491	54.0				X	521	0.0	X			
462	68.1			X		492	49.7				X	522	0.0	X			
463	69.7			X		493	44.4				X	523	0.0	X			
464	70.4			X		494	38.2				X	524	0.0	X			
465	70.7			X		495	31.2				X	525	0.0	X			
466	70.7			X		496	24.0				X	526	0.0	X			
467	70.7			X		497	16.8				X	527	0.0	X			
468	70.7			X		498	10.4				X	528	0.0	X			
469	70.6			X		499	5.7				X	529	0.0	X			
470	70.5			X		500	2.8				X	530	0.0	X			
471	70.4			X		501	1.6				X	531	0.0	X			
472	70.2			X		502	0.3				X	532	0.0	X			
473	70.1			X		503	0.0	X				533	2.3		X		
474	69.8			X		504	0.0	X				534	7.2		X		
475	69.5			X		505	0.0	X				535	14.6		X		
476	69.1			X		506	0.0	X				536	23.5		X		
477	69.1			X		507	0.0	X				537	33.0		X		
478	69.5			X		508	0.0	X				538	42.7		X		
479	70.3			X		509	0.0	X				539	51.8		X		
480	71.2			X		510	0.0	X				540	59.4		X		

Table A4.App12/16

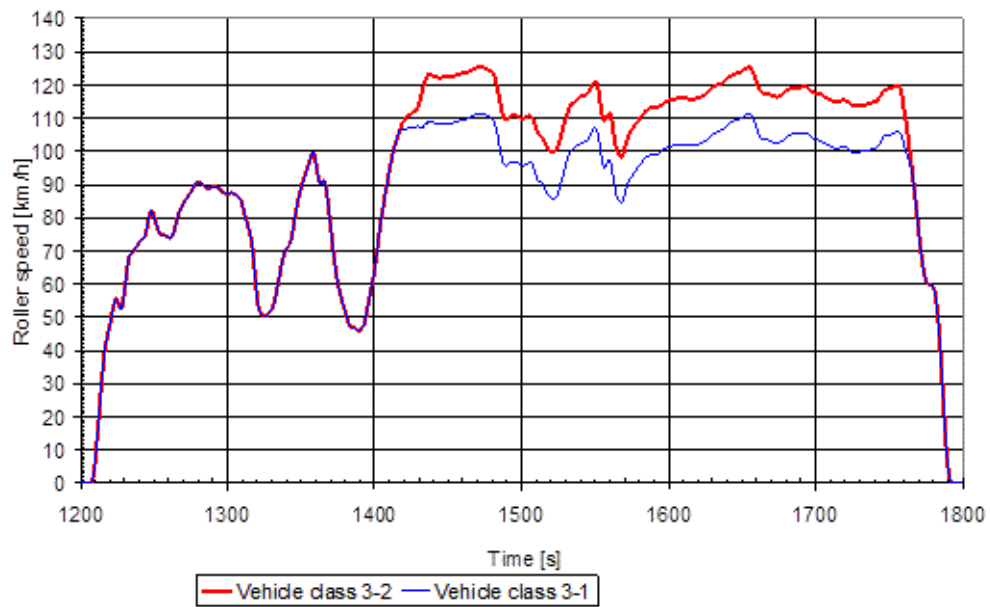
WMTC. cycle part 2 for vehicle classes 2-2 and 3. 541 to 600 s

<i>time in s</i>	<i>roller speed in km/h</i>	<i>phase indicators</i>			
		<i>stop</i>	<i>acc</i>	<i>cruise</i>	<i>dec</i>
541	65.3		X		
542	69.6		X		
543	72.3		X		
544	73.9		X		
545	75.0		X		
546	75.7		X		
547	76.5		X		
548	77.3		X		
549	78.2		X		
550	78.9		X		
551	79.4			X	
552	79.6			X	
553	79.3			X	
554	78.8			X	
555	78.1			X	
556	77.5			X	
557	77.2			X	
558	77.2			X	
559	77.5			X	
560	77.9			X	
561	78.5			X	
562	79.1			X	
563	79.6			X	
564	80.0			X	
565	80.2			X	
566	80.3			X	
567	80.1			X	
568	79.8			X	
569	79.5			X	
570	79.1			X	
571	78.8			X	
572	78.6			X	
573	78.4			X	

<i>time in s</i>	<i>roller speed in km/h</i>	<i>phase indicators</i>			
		<i>stop</i>	<i>acc</i>	<i>cruise</i>	<i>dec</i>
574	78.3			X	
575	78.0				X
576	76.7				X
577	73.7				X
578	69.5				X
579	64.8				X
580	60.3				X
581	56.2				X
582	52.5				X
583	49.0				X
584	45.2				X
585	40.8				X
586	35.4				X
587	29.4				X
588	23.4				X
589	17.7				X
590	12.6				X
591	8.0				X
592	4.1				X
593	1.3				X
594	0.0	X			
595	0.0	X			
596	0.0	X			
597	0.0	X			
598	0.0	X			
599	0.0	X			
600	0.0	X			

1.4. WMTC. part 3

Figure A4.App12/4

WMTC. part 3.

1.4.1 The characteristic desired vehicle speed versus test time of WMTC. part 3 is set out in the following tables.

Table A4.App12/17
WMTC. cycle part 3. reduced vehicle speed for vehicle class 3-1. 0 to 180 s

time in s	roller speed in km/h	phase indicators				time in s	roller speed in km/h	phase indicators				time in s	roller speed in km/h	phase indicators			
		stop	acc	cruise	dec			stop	acc	cruise	dec			stop	acc	cruise	dec
0	0.0	X				33	68.1		X			66	80.4		X		
1	0.0	X				34	69.1		X			67	81.7		X		
2	0.0	X				35	69.5		X			68	82.6		X		
3	0.0	X				36	69.9		X			69	83.5		X		
4	0.0	X				37	70.6		X			70	84.4		X		
5	0.0	X				38	71.3		X			71	85.1		X		
6	0.0	X				39	72.2		X			72	85.7		X		
7	0.0	X				40	72.8		X			73	86.3		X		
8	0.9		X			41	73.2		X			74	87.0		X		
9	3.2		X			42	73.4		X			75	87.9		X		
10	7.3		X			43	73.8		X			76	88.8		X		
11	12.4		X			44	74.8		X			77	89.7		X		
12	17.9		X			45	76.7		X			78	90.3			X	
13	23.5		X			46	79.1		X			79	90.6			X	
14	29.1		X			47	81.1		X			80	90.6			X	
15	34.3		X			48	82.1				X	81	90.5			X	
16	38.6		X			49	81.7				X	82	90.4			X	
17	41.6		X			50	80.3				X	83	90.1			X	
18	43.9		X			51	78.8				X	84	89.7			X	
19	45.9		X			52	77.3				X	85	89.3			X	
20	48.1		X			53	75.9				X	86	89.0			X	
21	50.3		X			54	75.0				X	87	88.8			X	
22	52.6		X			55	74.7				X	88	88.9			X	
23	54.8		X			56	74.7				X	89	89.1			X	
24	55.8		X			57	74.7				X	90	89.3			X	
25	55.2		X			58	74.6				X	91	89.4			X	
26	53.9		X			59	74.4				X	92	89.4			X	
27	52.7		X			60	74.1				X	93	89.2			X	
28	52.8		X			61	73.9				X	94	88.9			X	
29	55.0		X			62	74.1		X			95	88.5			X	
30	58.5		X			63	75.1		X			96	88.0			X	
31	62.3		X			64	76.8		X			97	87.5			X	
32	65.7		X			65	78.7		X			98	87.2			X	

time in s	roller speed in km/h	phase indicators				time in s	roller speed in km/h	phase indicators				time in s	roller speed in km/h	phase indicators			
		stop	acc	cruise	dec			stop	acc	cruise	dec			stop	acc	cruise	dec
99	87.1			X		126	50.3		X			154	94.6		X		
100	87.2			X		127	50.6		X			155	96.0		X		
101	87.3			X		128	51.2		X			156	97.5		X		
102	87.4			X		129	51.8		X			157	99.0		X		
103	87.5			X		130	52.5		X			158	99.8				X
104	87.4			X		131	53.4		X			159	99.0				X
105	87.1			X		132	54.9		X			160	96.7				X
106	86.8			X		133	57.0		X			161	93.7				X
107	86.4			X		134	59.4		X			162	91.3				X
108	85.9			X		135	61.9		X			163	90.4				X
109	85.2				X	136	64.3		X			164	90.6				X
110	84.0				X	137	66.4		X			165	91.1				X
111	82.2				X	138	68.1		X			166	90.9				X
112	80.3				X	139	69.6		X			167	89.0				X
113	78.6				X	140	70.7		X			168	85.6				X
114	77.2				X	141	71.4		X			169	81.6				X
115	75.9				X	142	71.8		X			170	77.6				X
116	73.8				X	143	72.8		X			171	73.6				X
117	70.4				X	144	75.0		X			172	69.7				X
118	65.7				X	145	77.8		X			173	66.0				X
119	60.5				X	146	80.7		X			174	62.7				X
120	55.9				X	147	83.3		X			175	60.0				X
						148	75.4		X			176	58.0				X
121	53.0				X	149	87.3		X			177	56.4				X
122	51.6				X	150	89.1		X			178	54.8				X
123	50.9				X	151	90.6		X			179	53.3				X
124	50.5				X	152	91.9		X			180	51.7				X
125	50.2				X	153	93.2		X								

Table A4.App12/18
WMTC. cycle part 3. reduced vehicle speed for vehicle class 3-1. 181 to 360 s

time in s	roller speed in km/h	phase indicators				time in s	roller speed in km/h	phase indicators				time in s	roller speed in km/h	phase indicators			
		stop	acc	cruise	dec			stop	acc	cruise	dec			stop	acc	cruise	dec
181	50.2				X	211	96.3		X			241	108.4			X	
182	48.7				X	212	98.4		X			242	108.3			X	
183	47.2			X		213	100.4		X			243	108.2			X	
184	47.1			X		214	102.1		X			244	108.2			X	
185	47.0			X		215	103.6		X			245	108.2			X	
186	46.9			X		216	104.9		X			246	108.2			X	
187	46.6			X		217	106.2			X		247	108.3			X	
188	46.3			X		218	106.5			X		248	108.4			X	
189	46.1			X		219	106.5			X		249	108.5			X	
190	46.1		X			220	106.6			X		250	108.5			X	
191	46.5		X			221	106.6			X		251	108.5			X	
192	47.1		X			222	107.0			X		252	108.5			X	
193	48.1		X			223	107.3			X		253	108.5			X	
194	49.8		X			224	107.3			X		254	108.7			X	
195	52.2		X			225	107.2			X		255	108.8			X	
196	54.8		X			226	107.2			X		256	109.0			X	
197	57.3		X			227	107.2			X		257	109.2			X	
198	59.5		X			228	107.3			X		258	109.3			X	
199	61.7		X			229	107.5			X		259	109.4			X	
200	64.4		X			230	107.3			X		260	109.5			X	
201	67.7		X			231	107.3			X		261	109.5			X	
202	71.4		X			232	107.3			X		262	109.6			X	
203	74.9		X			233	107.3			X		263	109.8			X	
204	78.2		X			234	108.0			X		264	110.0			X	
205	81.1		X			235	108.2			X		265	110.2			X	
206	83.9		X			236	108.9			X		266	110.5			X	
207	86.6		X			237	109.0			X		267	110.7			X	
208	89.1		X			238	108.9			X		268	111.0			X	
209	91.6		X			239	108.8			X		269	111.1			X	
210	94.0		X			240	108.6			X		270	111.2			X	

time in s	roller speed in km/h	phase indicators				time in s	roller speed in km/h	phase indicators				time in s	roller speed in km/h	phase indicators			
		stop	acc	cruise	dec			stop	acc	cruise	dec			stop	acc	cruise	dec
271	111.3			X		301	95.8			X		331	97.4			X	
272	111.3			X		302	95.9			X		332	98.7			X	
273	111.3			X		303	96.2			X		333	99.7			X	
274	111.2			X		304	96.4			X		334	100.3			X	
275	111.0			X		305	96.7			X		335	100.6			X	
276	110.8			X		306	96.7			X		336	101.0			X	
277	110.6			X		307	96.3			X		337	101.4			X	
278	110.4			X		308	95.3				X	338	101.8			X	
279	110.3			X		309	94.0				X	339	102.2			X	
280	109.9			X		310	92.5				X	340	102.5			X	
281	109.3				X	311	91.4				X	341	102.6			X	
282	108.1				X	312	90.9				X	342	102.7			X	
283	106.3				X	313	90.7				X	343	102.8			X	
284	104.0				X	314	90.3				X	344	103.0			X	
285	101.5				X	315	89.6				X	345	103.5			X	
286	99.2				X	316	88.6				X	346	104.3			X	
287	97.2				X	317	87.7				X	347	105.2			X	
288	96.1				X	318	86.8				X	348	106.1			X	
289	95.7			X		319	86.2				X	349	106.8			X	
290	95.8			X		320	85.8				X	350	107.1				X
291	96.1			X		321	85.7				X	351	106.7				X
292	96.4			X		322	85.7				X	352	105.0				X
293	96.7			X		323	86.0			X		353	102.3				X
294	96.9			X		324	86.7			X		354	99.1				X
295	96.9			X		325	87.8			X		355	96.3				X
296	96.8			X		326	89.2			X		356	95.0				X
297	96.7			X		327	90.9			X		357	95.4				X
298	96.4			X		328	92.6			X		358	96.4				X
299	96.1			X		329	94.3			X		359	97.3				X
300	95.9			X		330	95.9			X		360	97.5				X

Table A4.App12/19
WMTC. cycle part 3. reduced vehicle speed for vehicle class 3-1. 361 to 540 s

time in s	roller speed in km/h	phase indicators				time in s	roller speed in km/h	phase indicators				time in s	roller speed in km/h	phase indicators			
		stop	acc	cruise	dec			stop	acc	cruise	dec			stop	acc	cruise	dec
361	96.1				X	391	99.2			X		421	102.2			X	
362	93.4				X	392	99.2			X		422	102.4			X	
363	90.4				X	393	99.3			X		423	102.6			X	
364	87.8				X	394	99.5			X		424	102.8			X	
365	86.0				X	395	99.9			X		425	103.1			X	
366	85.1				X	396	100.3			X		426	103.4			X	
367	84.7				X	397	100.6			X		427	103.9			X	
368	84.2			X		398	100.9			X		428	104.4			X	
369	85.0			X		399	101.1			X		429	104.9			X	
370	86.5			X		400	101.3			X		430	105.2			X	
371	88.3			X		401	101.4			X		431	105.5			X	
372	89.9			X		402	101.5			X		432	105.7			X	
373	91.0			X		403	101.6			X		433	105.9			X	
374	91.8			X		404	101.8			X		434	106.1			X	
375	92.5			X		405	101.9			X		435	106.3			X	
376	93.1			X		406	102.0			X		436	106.5			X	
377	93.7			X		407	102.0			X		437	106.8			X	
378	94.4			X		408	102.0			X		438	107.1			X	
379	95.0			X		409	102.0			X		439	107.5			X	
380	95.6			X		410	101.9			X		440	108.0			X	
381	96.3			X		411	101.9			X		441	108.3			X	
382	96.9			X		412	101.9			X		442	108.6			X	
383	97.5			X		413	101.8			X		443	108.9			X	
384	98.0			X		414	101.8			X		444	109.1			X	
385	98.3			X		415	101.8			X		445	109.2			X	
386	98.6			X		416	101.8			X		446	109.4			X	
387	98.9			X		417	101.8			X		447	109.5			X	
388	99.1			X		418	101.8			X		448	109.7			X	
389	99.3			X		419	101.9			X		449	109.9			X	
390	99.3			X		420	102.0			X		450	110.2			X	

<i>time in s</i>	<i>roller speed in km/h</i>	<i>phase indicators</i>				<i>time in s</i>	<i>roller speed in km/h</i>	<i>phase indicators</i>				<i>time in s</i>	<i>roller speed in km/h</i>	<i>phase indicators</i>			
		<i>stop</i>	<i>acc</i>	<i>cruise</i>	<i>dec</i>			<i>stop</i>	<i>acc</i>	<i>cruise</i>	<i>dec</i>			<i>stop</i>	<i>acc</i>	<i>cruise</i>	<i>dec</i>
451	110.5			X		481	104.5			X		511	101.3			X	
452	110.8			X		482	104.8			X		512	101.2			X	
453	111.0			X		483	104.9			X		513	101.0			X	
454	111.2			X		484	105.1			X		514	100.9			X	
455	111.3			X		485	105.1			X		515	100.9			X	
456	111.1			X		486	105.2			X		516	101.0			X	
457	110.4			X		487	105.2			X		517	101.2			X	
458	109.3			X		488	105.2			X		518	101.3			X	
459	108.1			X		489	105.3			X		519	101.4			X	
460	106.8			X		490	105.3			X		520	101.4			X	
461	105.5			X		491	105.4			X		521	101.2			X	
462	104.4			X		492	105.5			X		522	100.8			X	
463	103.8			X		493	105.5			X		523	100.4			X	
464	103.6			X		494	105.3			X		524	99.9			X	
465	103.5			X		495	105.1			X		525	99.6			X	
466	103.5			X		496	104.7			X		526	99.5			X	
467	103.4			X		497	104.2			X		527	99.5			X	
468	103.3			X		498	103.9			X		528	99.6			X	
469	103.1			X		499	103.6			X		529	99.7			X	
470	102.9			X		500	103.5			X		530	99.8			X	
471	102.6			X		501	103.5			X		531	99.9			X	
472	102.5			X		502	103.4			X		532	100.0			X	
473	102.4			X		503	103.3			X		533	100.0			X	
474	102.4			X		504	103.0			X		534	100.1			X	
475	102.5			X		505	102.7			X		535	100.2			X	
476	102.7			X		506	102.4			X		536	100.4			X	
477	103.0			X		507	102.1			X		537	100.5			X	
478	103.3			X		508	101.9			X		538	100.6			X	
479	103.7			X		509	101.7			X		539	100.7			X	
480	104.1			X		510	101.5			X		540	100.8			X	

Table A4.App12/20

WMTC. cycle part 3. reduced vehicle speed for vehicle class 3-1. 541 to 600 s

<i>time in s</i>	<i>roller speed in km/h</i>	<i>phase indicators</i>			
		<i>stop</i>	<i>acc</i>	<i>cruise</i>	<i>dec</i>
541	101.0			X	
542	101.3			X	
543	102.0			X	
544	102.7			X	
545	103.5			X	
546	104.2			X	
547	104.6			X	
548	104.7			X	
549	104.8			X	
550	104.8			X	
551	104.9			X	
552	105.1			X	
553	105.4			X	
554	105.7			X	
555	105.9			X	
556	106.0			X	
557	105.7				X
558	105.4				X
559	103.9				X
560	102.2				X
561	100.5				X
562	99.2				X
563	98.0				X
564	96.4				X
565	94.8				X
566	92.8				X
567	88.9				X
568	84.9				X
569	80.6				X
570	76.3				X
571	72.3				X
572	68.7				X
573	65.5				X

<i>time in s</i>	<i>roller speed in km/h</i>	<i>phase indicators</i>			
		<i>stop</i>	<i>acc</i>	<i>cruise</i>	<i>dec</i>
574	63,0				X
575	61,2				X
576	60,5				X
577	60,0				X
578	59,7				X
579	59,4				X
580	59,4				X
581	58,0				X
582	55,0				X
583	51,0				X
584	46,0				X
585	38,8				X
586	31,6				X
587	24,4				X
588	17,2				X
589	10,0				X
590	5,0				X
591	2,0				X
592	0,0	X			
593	0,0	X			
594	0,0	X			
595	0,0	X			
596	0,0	X			
597	0,0	X			
598	0,0	X			
599	0,0	X			
600	0,0	X			

Table A4.App12/21
 WMTC. cycle part 3 for vehicle class 3-2. 0 to 180 s

time in s	roller speed in km/h	phase indicators				time in s	roller speed in km/h	phase indicators				time in s	roller speed in km/h	phase indicators			
		stop	acc	cruise	dec			stop	acc	cruise	dec			stop	acc	cruise	dec
0	0.0	X				33	68.1		X			66	80.4		X		
1	0.0	X				34	69.1		X			67	81.7		X		
2	0.0	X				35	69.5		X			68	82.6		X		
3	0.0	X				36	69.9		X			69	83.5		X		
4	0.0	X				37	70.6		X			70	84.4		X		
5	0.0	X				38	71.3		X			71	85.1		X		
6	0.0	X				39	72.2		X			72	85.7		X		
7	0.0	X				40	72.8		X			73	86.3		X		
8	0.9		X			41	73.2		X			74	87.0		X		
9	3.2		X			42	73.4		X			75	87.9		X		
10	7.3		X			43	73.8		X			76	88.8		X		
11	12.4		X			44	74.8		X			77	89.7		X		
12	17.9		X			45	76.7		X			78	90.3			X	
13	23.5		X			46	79.1		X			79	90.6			X	
14	29.1		X			47	81.1		X			80	90.6			X	
15	34.3		X			48	82.1				X	81	90.5			X	
16	38.6		X			49	81.7				X	82	90.4			X	
17	41.6		X			50	80.3				X	83	90.1			X	
18	43.9		X			51	78.8				X	84	89.7			X	
19	45.9		X			52	77.3				X	85	89.3			X	
20	48.1		X			53	75.9				X	86	89.0			X	
21	50.3		X			54	75.0				X	87	88.8			X	
22	52.6		X			55	74.7				X	88	88.9			X	
23	54.8		X			56	74.7				X	89	89.1			X	
24	55.8		X			57	74.7				X	90	89.3			X	
25	55.2		X			58	74.6				X	91	89.4			X	
26	53.9		X			59	74.4				X	92	89.4			X	
27	52.7		X			60	74.1				X	93	89.2			X	
28	52.8		X			61	73.9				X	94	88.9			X	
29	55.0		X			62	74.1		X			95	88.5			X	
30	58.5		X			63	75.1		X			96	88.0			X	
31	62.3		X			64	76.8		X			97	87.5			X	
32	65.7		X			65	78.7		X			98	87.2			X	

time in s	roller speed in km/h	phase indicators				time in s	roller speed in km/h	phase indicators				time in s	roller speed in km/h	phase indicators			
		stop	acc	cruise	dec			stop	acc	cruise	dec			stop	acc	cruise	dec
99	87.1			X		126	50.3		X			154	94.6		X		
100	87.2			X		127	50.6		X			155	96.0		X		
101	87.3			X		128	51.2		X			156	97.5		X		
102	87.4			X		129	51.8		X			157	99.0		X		
103	87.5			X		130	52.5		X			158	99.8				X
104	87.4			X		131	53.4		X			159	99.0				X
105	87.1			X		132	54.9		X			160	96.7				X
106	86.8			X		133	57.0		X			161	93.7				X
107	86.4			X		134	59.4		X			162	91.3				X
108	85.9			X		135	61.9		X			163	90.4				X
109	85.2				X	136	64.3		X			164	90.6				X
110	84.0				X	137	66.4		X			165	91.1				X
111	82.2				X	138	68.1		X			166	90.9				X
112	80.3				X	139	69.6		X			167	89.0				X
113	78.6				X	140	70.7		X			168	85.6				X
114	77.2				X	141	71.4		X			169	81.6				X
115	75.9				X	142	71.8		X			170	77.6				X
116	73.8				X	143	72.8		X			171	73.6				X
117	70.4				X	144	75.0		X			172	69.7				X
118	65.7				X	145	77.8		X			173	66.0				X
119	60.5				X	146	80.7		X			174	62.7				X
120	55.9				X	147	83.3		X			175	60.0				X
						148	85.4		X			176	58.0				X
121	53.0				X	149	87.3		X			177	56.4				X
122	51.6				X	150	89.1		X			178	54.8				X
123	50.9				X	151	90.6		X			179	53.3				X
124	50.5				X	152	91.9		X			180	51.7				X
125	50.2				X	153	93.2		X								

Table A4.App12/22
 WMTC. cycle part 3 for vehicle class 3-2. 181 to 360 s

time in s	roller speed in km/h	phase indicators				time in s	roller speed in km/h	phase indicators				time in s	roller speed in km/h	phase indicators				
		stop	acc	cruise	dec			stop	acc	cruise	dec			stop	acc	cruise	dec	
181	50.2				X	211	96.3		X			241	122.4				X	
182	48.7				X	212	98.4		X			242	122.3				X	
183	47.2			X		213	100.4		X			243	122.2				X	
184	47.1			X		214	102.1		X			244	122.2				X	
185	47.0			X		215	103.6		X			245	122.2				X	
186	46.9			X		216	104.9		X			246	122.2				X	
187	46.6			X		217	106.2		X			247	122.3				X	
188	46.3			X		218	107.5		X			248	122.4				X	
189	46.1			X		219	108.5		X			249	122.5				X	
190	46.1		X			220	109.3		X			250	122.5				X	
191	46.5		X			221	109.9		X			251	122.5				X	
192	47.1		X			222	110.5		X			252	122.5				X	
193	48.1		X			223	110.9		X			253	122.5				X	
194	49.8		X			224	111.2		X			254	122.7				X	
195	52.2		X			225	111.4		X			255	122.8				X	
196	54.8		X			226	111.7		X			256	123.0				X	
197	57.3		X			227	111.9		X			257	123.2				X	
198	59.5		X			228	112.3		X			258	123.3				X	
199	61.7		X			229	113.0		X			259	123.4				X	
200	64.4		X			230	114.1		X			260	123.5				X	
201	67.7		X			231	115.7		X			261	123.5				X	
202	71.4		X			232	117.5		X			262	123.6				X	
203	74.9		X			233	119.3		X			263	123.8				X	
204	78.2		X			234	121.0		X			264	124.0				X	
205	81.1		X			235	122.2			X		265	124.2				X	
206	83.9		X			236	122.9			X		266	124.5				X	
207	86.6		X			237	123.0			X		267	124.7				X	
208	89.1		X			238	122.9			X		268	125.0				X	
209	91.6		X			239	122.8			X		269	125.1				X	
210	94.0		X			240	122.6			X		270	125.2				X	

time in s	roller speed in km/h	phase indicators				time in s	roller speed in km/h	phase indicators				time in s	roller speed in km/h	phase indicators			
		stop	acc	cruise	dec			stop	acc	cruise	dec			stop	acc	cruise	dec
271	125.3			X		301	109.8			X		331	111.4			X	
272	125.3			X		302	109.9			X		332	112.7			X	
273	125.3			X		303	110.2			X		333	113.7			X	
274	125.2			X		304	110.4			X		334	114.3			X	
275	125.0			X		305	110.7			X		335	114.6			X	
276	124.8			X		306	110.7			X		336	115.0			X	
277	124.6			X		307	110.3			X		337	115.4			X	
278	124.4			X		308	109.3				X	338	115.8			X	
279	124.3			X		309	108.0				X	339	116.2			X	
280	123.9			X		310	106.5				X	340	116.5			X	
281	123.3				X	311	105.4				X	341	116.6			X	
282	122.1				X	312	104.9				X	342	116.7			X	
283	120.3				X	313	104.7				X	343	116.8			X	
284	118.0				X	314	104.3				X	344	117.0			X	
285	115.5				X	315	103.6				X	345	117.5			X	
286	113.2				X	316	102.6				X	346	118.3			X	
287	111.2				X	317	101.7				X	347	119.2			X	
288	110.1				X	318	100.8				X	348	120.1			X	
289	109.7			X		319	100.2				X	349	120.8			X	
290	109.8			X		320	99.8				X	350	121.1				X
291	110.1			X		321	99.7				X	351	120.7				X
292	110.4			X		322	99.7				X	352	119.0				X
293	110.7			X		323	100.0			X		353	116.3				X
294	110.9			X		324	100.7			X		354	113.1				X
295	110.9			X		325	101.8			X		355	110.3				X
296	110.8			X		326	103.2			X		356	109.0				X
297	110.7			X		327	104.9			X		357	109.4				X
298	110.4			X		328	106.6			X		358	110.4				X
299	110.1			X		329	108.3			X		359	111.3				X
300	109.9			X		330	109.9			X		360	111.5				X

Table A4.App12/23
WMTC. cycle part 3 for vehicle class 3-2. 361 to 540 s

time in s	roller speed in km/h	phase indicators				time in s	roller speed in km/h	phase indicators				time in s	roller speed in km/h	phase indicators			
		stop	acc	cruise	dec			stop	acc	cruise	dec			stop	acc	cruise	dec
361	110.1				X	391	113.2			X		421	116.2			X	
362	107.4				X	392	113.2			X		422	116.4			X	
363	104.4				X	393	113.3			X		423	116.6			X	
364	101.8				X	394	113.5			X		424	116.8			X	
365	100.0				X	395	113.9			X		425	117.1			X	
366	99.1				X	396	114.3			X		426	117.4			X	
367	98.7				X	397	114.6			X		427	117.9			X	
368	98.2			X		398	114.9			X		428	118.4			X	
369	99.0			X		399	115.1			X		429	118.9			X	
370	100.5			X		400	115.3			X		430	119.2			X	
371	102.3			X		401	115.4			X		431	119.5			X	
372	103.9			X		402	115.5			X		432	119.7			X	
373	105.0			X		403	115.6			X		433	119.9			X	
374	105.8			X		404	115.8			X		434	120.1			X	
375	106.5			X		405	115.9			X		435	120.3			X	
376	107.1			X		406	116.0			X		436	120.5			X	
377	107.7			X		407	116.0			X		437	120.8			X	
378	108.4			X		408	116.0			X		438	121.1			X	
379	109.0			X		409	116.0			X		439	121.5			X	
380	109.6			X		410	115.9			X		440	122.0			X	
381	110.3			X		411	115.9			X		441	122.3			X	
382	110.9			X		412	115.9			X		442	122.6			X	
383	111.5			X		413	115.8			X		443	122.9			X	
384	112.0			X		414	115.8			X		444	123.1			X	
385	112.3			X		415	115.8			X		445	123.2			X	
386	112.6			X		416	115.8			X		446	123.4			X	
387	112.9			X		417	115.8			X		447	123.5			X	
388	113.1			X		418	115.8			X		448	123.7			X	
389	113.3			X		419	115.9			X		449	123.9			X	
390	113.3			X		420	116.0			X		450	124.2			X	

<i>time in s</i>	<i>roller speed in km/h</i>	<i>phase indicators</i>				<i>time in s</i>	<i>roller speed in km/h</i>	<i>phase indicators</i>				<i>time in s</i>	<i>roller speed in km/h</i>	<i>phase indicators</i>			
		<i>stop</i>	<i>acc</i>	<i>cruise</i>	<i>dec</i>			<i>stop</i>	<i>acc</i>	<i>cruise</i>	<i>dec</i>			<i>stop</i>	<i>acc</i>	<i>cruise</i>	<i>dec</i>
451	124.5			X		481	118.5			X		511	115.3			X	
452	124.8			X		482	118.8			X		512	115.2			X	
453	125.0			X		483	118.9			X		513	115.0			X	
454	125.2			X		484	119.1			X		514	114.9			X	
455	125.3			X		485	119.1			X		515	114.9			X	
456	125.1			X		486	119.2			X		516	115.0			X	
457	124.4			X		487	119.2			X		517	115.2			X	
458	123.3			X		488	119.2			X		518	115.3			X	
459	122.1			X		489	119.3			X		519	115.4			X	
460	120.8			X		490	119.3			X		520	115.4			X	
461	119.5			X		491	119.4			X		521	115.2			X	
462	118.4			X		492	119.5			X		522	114.8			X	
463	117.8			X		493	119.5			X		523	114.4			X	
464	117.6			X		494	119.3			X		524	113.9			X	
465	117.5			X		495	119.1			X		525	113.6			X	
466	117.5			X		496	118.7			X		526	113.5			X	
467	117.4			X		497	118.2			X		527	113.5			X	
468	117.3			X		498	117.9			X		528	113.6			X	
469	117.1			X		499	117.6			X		529	113.7			X	
470	116.9			X		500	117.5			X		530	113.8			X	
471	116.6			X		501	117.5			X		531	113.9			X	
472	116.5			X		502	117.4			X		532	114.0			X	
473	116.4			X		503	117.3			X		533	114.0			X	
474	116.4			X		504	117.0			X		534	114.1			X	
475	116.5			X		505	116.7			X		535	114.2			X	
476	116.7			X		506	116.4			X		536	114.4			X	
477	117.0			X		507	116.1			X		537	114.5			X	
478	117.3			X		508	115.9			X		538	114.6			X	
479	117.7			X		509	115.7			X		539	114.7			X	
480	118.1			X		510	115.5			X		540	114.8			X	

Table A4.App12/24
 WMTC. cycle part 3 for vehicle class 3-2. 541 to 600 s

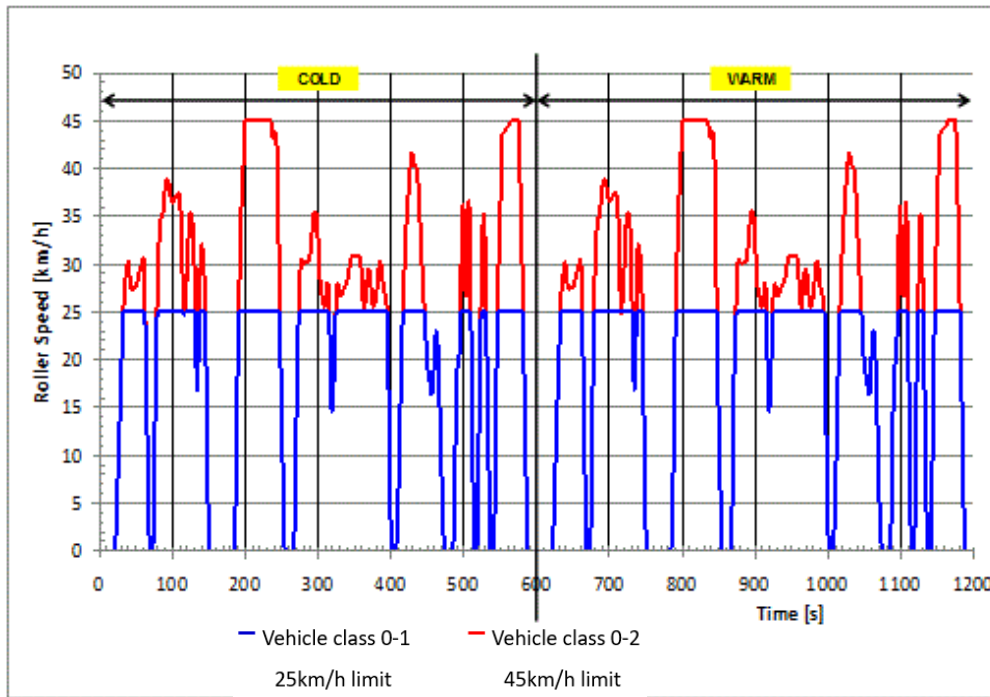
<i>time in s</i>	<i>roller speed in km/h</i>	<i>phase indicators</i>			
		<i>stop</i>	<i>acc</i>	<i>cruise</i>	<i>dec</i>
541	115.0			X	
542	115.3			X	
543	116.0			X	
544	116.7			X	
545	117.5			X	
546	118.2			X	
547	118.6			X	
548	118.7			X	
549	118.8			X	
550	118.8			X	
551	118.9			X	
552	119.1			X	
553	119.4			X	
554	119.7			X	
555	119.9			X	
556	120.0			X	
557	119.7				X
558	118.4				X
559	115.9				X
560	113.2				X
561	110.5				X
562	107.2				X
563	104.0				X
564	100.4				X
565	96.8				X
566	92.8				X
567	88.9				X
568	84.9				X
569	80.6				X
570	76.3				X
571	72.3				X
572	68.7				X
573	65.5				X

<i>time in s</i>	<i>roller speed in km/h</i>	<i>phase indicators</i>			
		<i>stop</i>	<i>acc</i>	<i>cruise</i>	<i>dec</i>
574	63.0				X
575	61.2				X
576	60.5				X
577	60.0				X
578	59.7				X
579	59.4				X
580	59.4				X
581	58.0				X
582	55.0				X
583	51.0				X
584	46.0				X
585	38.8				X
586	31.6				X
587	24.4				X
588	17.2				X
589	10.0				X
590	5.0				X
591	2.0				X
592	0.0	X			
593	0.0	X			
594	0.0	X			
595	0.0	X			
596	0.0	X			
597	0.0	X			
598	0.0	X			
599	0.0	X			
600	0.0	X			

- 2. World Harmonised Motorcycle Test Cycle (WMTC) for two-wheeled vehicles with an engine displacement < 50 cm³ and with a maximum design vehicle speed of 25 km/h., 45 km/h respectively.
- 2.1. The WMTC to be used on the chassis dynamometer is depicted in the following graph for vehicles equipped with an engine displacement < 50 cm³ and with a maximum design vehicle speed (25 km/h., 45 km/h. respectively), which consists of one cold phase 1 of the WMTC and one warm phase 1 of the WMTC.

Figure A4.App12/5

WMTC for vehicles with a maximum design vehicle speed of 45km/h and 25km/h low engine displacement or maximum net or continuous rated power

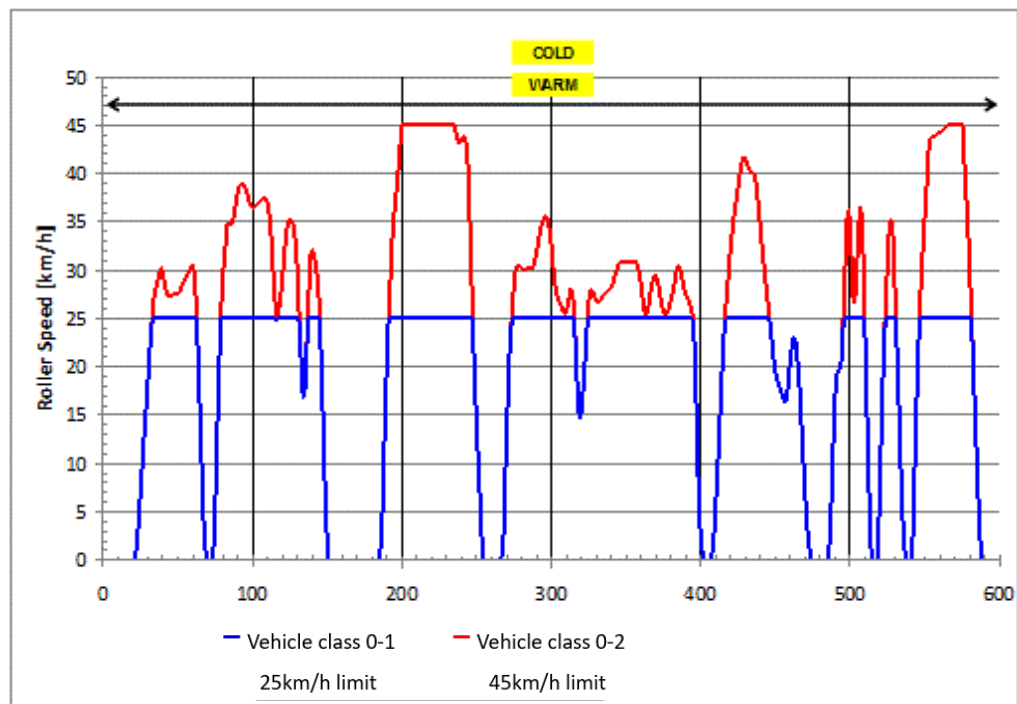


Note: The truncated desired vehicle speed trace limited to 25 km/h is applicable for vehicles with a limited maximum design vehicle speed of 25 km/h. In case of vehicle with maximum design speed of 50km/h, the vehicle shall be driven on WMTC up to maximum speed of 50km/h.

- 2.2 The cold and warm vehicle speed phases are identical.
- 2.3. Description of the WMTC for vehicles with a maximum design vehicle speed (25 km/h, 45 km/h. respectively) and a low engine displacement (< 50 cm³)

Figure A4.App12/6

WMTC for vehicles with a maximum design vehicle speed of 45km/h and 25km/h low engine displacement or maximum net or continuous rated power



Note: The truncated desired vehicle speed trace limited to 25 km/h is applicable for vehicles with a limited maximum design vehicle speed of 25 km/h. In case of vehicle with maximum design speed of 50km/h, the vehicle shall be driven on WMTC up to maximum speed of 50km/h.

2.3.1. The desired vehicle speed trace WMTC shown in Figure B.5.12.-6 is applicable for vehicles with a maximum design vehicle speed (if applicable at 25 km/h, at 45 km/h or 50 km/h) and a low engine displacement ($< 50 \text{ cm}^3$) and consists of the desired vehicle speed trace WMTC stage 1, part 1 for class 1 vehicles, driven once cold followed by the same desired vehicle speed trace driven with a warm propulsion unit. The WMTC for vehicles with a low maximum design vehicle speed and low engine displacement or maximum net or continuous rated power lasts 1200 seconds and consists of two equivalent parts to be carried out without interruption.

2.3.2. The characteristic driving conditions (idling, acceleration, steady vehicle speed, deceleration, etc.) of the WMTC for vehicles with a maximum design vehicle speed (if applicable at 25 km/h, at 45 km/h, or at 50 km/h) and low engine displacement ($< 50 \text{ cm}^3$) are set out in the following paragraphs and tables.

Table A4.App12/25

WMTC, part 1, class 0-1, applicable for vehicles with a maximum design vehicle speed (25 km/h) and a low engine displacement (< 50 cm³), cold or warm. 0 to 180 s

time in s	roller speed in km/h	phase indicators				time in s	roller speed in km/h	phase indicators				time in s	roller speed in km/h	phase indicators			
		stop	acc	cruise	dec			stop	acc	cruise	dec			stop	acc	cruise	dec
0	0	X				33	25					66	9.3				X
1	0	X				34	25					67	4.8				X
2	0	X				35	25					68	1.9				X
3	0	X				36	25					69	0	X			
4	0	X				37	25					70	0	X			
5	0	X				38	25					71	0	X			
6	0	X				39	25			X		72	0	X			
7	0	X				40	25			X		73	0	X			
8	0	X				41	25			X		74	1.7		X		
9	0	X				42	25			X		75	5.8		X		
10	0	X				43	25			X		76	11.8		X		
11	0	X				44	25			X		77	17.3		X		
12	0	X				45	25			X		78	22		X		
13	0	X				46	25			X		79	25				
14	0	X				47	25			X		80	25				
15	0	X				48	25			X		81	25				
16	0	X				49	25			X		82	25				
17	0	X				50	25			X		83	25				
18	0	X				51	25			X		84	25				
19	0	X				52	25			X		85	25				
20	0	X				53	25			X		86	25				
21	0	X				54	25			X		87	25				
22	1		X			55	25			X		88	25				
23	2.6		X			56	25			X		89	25				
24	4.8		X			57	25			X		90	25				
25	7.2		X			58	25			X		91	25			X	
26	9.6		X			59	25			X		92	25			X	
27	12		X			60	25				X	93	25			X	
28	14.3		X			61	25					94	25			X	
29	16.6		X			62	25					95	25			X	
30	18.9		X			63	23				X	96	25			X	
31	21.2		X			64	18.6				X	97	25			X	
32	23.5		X			65	14.1				X	98	25			X	

time in s	roller speed in km/h	phase indicators				time in s	roller speed in km/h	phase indicators				time in s	roller speed in km/h	phase indicators				
		stop	acc	cruise	dec			stop	acc	cruise	dec			stop	acc	cruise	dec	
99	25			X		126	25					154	0	X				
100	25			X		127	25					155	0	X				
101	25			X		128	25					156	0	X				
102	25			X		129	25					157	0	X				
103	25			X		130	25					158	0	X				
104	25			X		131	25					159	0	X				
105	25			X		132	22.1				X	160	0	X				
106	25			X		133	18.6				X	161	0	X				
107	25			X		134	16.8		X			162	0	X				
108	25			X		135	17.7		X			163	0	X				
109	25			X		136	21.1		X			164	0	X				
110	25					137	25					165	0	X				
111	25					138	25					166	0	X				
112	25					139	25					167	0	X				
113	25					140	25					168	0	X				
114	25					141	25					169	0	X				
115	25					142	25					170	0	X				
116	24.7			X		143	25					171	0	X				
117	25			X		144	25					172	0	X				
118	25			X		145	25					173	0	X				
119	25			X		146	20.3				X	174	0	X				
120	25			X		147	15				X	175	0	X				
						148	9.7				X	176	0	X				
121	25			X		149	5				X	177	0	X				
122	25			X		150	1.6				X	178	0	X				
123	25			X		151	0	X				179	0	X				
124	25			X		152	0	X				180	0	X				
125	25					153	0	X										

Table A4.App12/26

WMTC. part 1. class 0-1. applicable for vehicles with a maximum design vehicle speed (25 km/h) and a low engine displacement (< 50 cm3). cold or warm. 181 to 360 s

time in s	roller speed in km/h	phase indicators				time in s	roller speed in km/h	phase indicators				time in s	roller speed in km/h	phase indicators			
		stop	acc	cruise	dec			stop	acc	cruise	dec			stop	acc	cruise	dec
181	0	X				211	25			X		241	25			X	
182	0	X				212	25			X		242	25				
183	0	X				213	25			X		243	25				
184	0	X				214	25			X		244	25				
185	0.4		X			215	25			X		245	25				
186	1.8		X			216	25			X		246	25				
187	5.4		X			217	25			X		247	25				
188	11.1		X			218	25			X		248	21.8				X
189	16.7		X			219	25			X		249	17.2				X
190	21.3		X			220	25			X		250	13.7				X
191	24.8		X			221	25			X		251	10.3				X
192	25					222	25			X		252	7				X
193	25					223	25			X		253	3.5				X
194	25					224	25			X		254	0	X			
195	25					225	25			X		255	0	X			
196	25					226	25			X		256	0	X			
197	25					227	25			X		257	0	X			
198	25					228	25			X		258	0	X			
199	25					229	25			X		259	0	X			
200	25					230	25			X		260	0	X			
201	25					231	25			X		261	0	X			
202	25					232	25			X		262	0	X			
203	25			X		233	25			X		263	0	X			
204	25			X		234	25			X		264	0	X			
205	25			X		235	25			X		265	0	X			
206	25			X		236	25			X		266	0	X			
207	25			X		237	25			X		267	0.5		X		
208	25			X		238	25			X		268	2.9		X		
209	25			X		239	25			X		269	8.2		X		
210	25			X		240	25			X		270	13.2		X		

time in s	roller speed in km/h	phase indicators				time in s	roller speed in km/h	phase indicators				time in s	roller speed in km/h	phase indicators			
		stop	acc	cruise	dec			stop	acc	cruise	dec			stop	acc	cruise	dec
271	17.8		X			301	25			X		331	25			X	
272	21.4		X			302	25			X		332	25			X	
273	24.1		X			303	25			X		333	25			X	
274	25					304	25			X		334	25			X	
275	25					305	25			X		335	25			X	
276	25					306	25			X		336	25			X	
277	25			X		307	25			X		337	25			X	
278	25			X		308	25			X		338	25			X	
279	25			X		309	25			X		339	25			X	
280	25			X		310	25			X		340	25			X	
281	25			X		311	25			X		341	25			X	
282	25			X		312	25			X		342	25			X	
283	25			X		313	25			X		343	25			X	
284	25			X		314	25					344	25			X	
285	25			X		315	25					345	25			X	
286	25			X		316	22.7				X	346	25			X	
287	25			X		317	19				X	347	25			X	
288	25			X		318	16				X	348	25			X	
289	25			X		319	14.6		X			349	25			X	
290	25			X		320	15.2		X			350	25			X	
291	25			X		321	16.9		X			351	25			X	
292	25			X		322	19.3		X			352	25			X	
293	25			X		323	22		X			353	25			X	
294	25			X		324	24.6		X			354	25			X	
295	25			X		325	25					355	25			X	
296	25			X		326	25					356	25			X	
297	25			X		327	25			X		357	25			X	
298	25			X		328	25			X		358	25			X	
299	25			X		329	25			X		359	25			X	
300	25			X		330	25			X		360	25			X	

Table A4.App12/27

WMTC. part 1. class 0-1. applicable for vehicles with a maximum design vehicle speed (25 km/h) and a low engine displacement (< 50 cm³). cold or warm. 361 to 540 s

time in s	roller speed in km/h	phase indicators				time in s	roller speed in km/h	phase indicators				time in s	roller speed in km/h	phase indicators			
		stop	acc	cruise	dec			stop	acc	cruise	dec			stop	acc	cruise	dec
361	25			X		391	25			X		421	25		X		
362	25			X		392	25					422	25		X		
363	25			X		393	25					423	25		X		
364	25			X		394	25					424	25		X		
365	25			X		395	24.9				X	425	25		X		
366	25			X		396	21.4				X	426	25		X		
367	25			X		397	15.9				X	427	25		X		
368	25			X		398	9.9				X	428	25		X		
369	25			X		399	4.9				X	429	25			X	
370	25			X		400	2.1				X	430	25			X	
371	25			X		401	0.9				X	431	25			X	
372	25			X		402	0	X				432	25			X	
373	25			X		403	0	X				433	25			X	
374	25			X		404	0	X				434	25			X	
375	25			X		405	0	X				435	25			X	
376	25			X		406	0	X				436	25				
377	25			X		407	0	X				437	25				
378	25			X		408	1.2		X			438	25				
379	25			X		409	3.2		X			439	25				
380	25			X		410	5.9		X			440	25				
381	25			X		411	8.8		X			441	25				
382	25			X		412	12		X			442	25				
383	25			X		413	15.4		X			443	25				
384	25			X		414	18.9		X			444	25				
385	25			X		415	22.1		X			445	25				
386	25			X		416	24.7		X			446	25				
387	25			X		417	25					447	23.4				X
388	25			X		418	25					448	21.8				X
389	25			X		419	25					449	20.3				X
390	25			X		420	25					450	19.3				X

time in s	roller speed in km/h	phase indicators				time in s	roller speed in km/h	phase indicators				time in s	roller speed in km/h	phase indicators			
		stop	acc	cruise	dec			stop	acc	cruise	dec			stop	acc	cruise	dec
451	18.7				X	481	0	X				511	16.7				X
452	18.3				X	482	0	X				512	10.7				X
453	17.8				X	483	0	X				513	4.7				X
454	17.4				X	484	0	X				514	1.2				X
455	16.8				X	485	0	X				515	0	X			
456	16.3			X		486	1.4		X			516	0	X			
457	16.5			X		487	4.5		X			517	0	X			
458	17.6			X		488	8.8		X			518	0	X			
459	19.2			X		489	13.4		X			519	3		X		
460	20.8			X		490	17.3		X			520	8.2		X		
461	22.2			X		491	19.2		X			521	14.3		X		
462	23			X		492	19.7		X			522	19.3		X		
463	23				X	493	19.8		X			523	23.5		X		
464	22				X	494	20.7		X			524	25				
465	20.1				X	495	23.7		X			525	25				
466	17.7				X	496	25					526	25				
467	15				X	497	25					527	25				
468	12.1				X	498	25					528	25				
469	9.1				X	499	25					529	25				
470	6.2				X	500	25					530	25				
471	3.6				X	501	25					531	23.2				X
472	1.8				X	502	25					532	18.5				X
473	0.8				X	503	25					533	13.8				X
474	0	X				504	25					534	9.1				X
475	0	X				505	25					535	4.5				X
476	0	X				506	25					536	2.3				X
477	0	X				507	25					537	0	X			
478	0	X				508	25					538	0	X			
479	0	X				509	25					539	0	X			
480	0	X				510	23.1				X	540	0				

A4.App12/28

WMTC. part 1. class 0-1. applicable for vehicles with a maximum design vehicle speed (25 km/h) and a low engine displacement (< 50 cm³). cold or warm. 541 to 600 s

<i>time in s</i>	<i>roller speed in km/h</i>	<i>phase indicators</i>			
		<i>stop</i>	<i>acc</i>	<i>cruise</i>	<i>dec</i>
541	0	X			
542	2.8		X		
543	8.1		X		
544	14.3		X		
545	19.2		X		
546	23.5		X		
547	25				
548	25				
549	25				
550	25				
551	25				
552	25				
553	25			X	
554	25			X	
555	25			X	
556	25			X	
557	25			X	
558	25			X	
559	25			X	
560	25			X	
561	25			X	
562	25			X	
563	25			X	
564	25			X	
565	25			X	
566	25			X	
567	25			X	
568	25			X	
569	25			X	
570	25			X	
571	25			X	
572	25			X	
573	25				

<i>time in s</i>	<i>roller speed in km/h</i>	<i>phase indicators</i>			
		<i>stop</i>	<i>acc</i>	<i>cruise</i>	<i>dec</i>
574	25				
575	25				
576	25				
577	25				
578	25				
579	25				
580	25				
581	25				
582	21.8				X
583	17.7				X
584	13.5				X
585	9.4				X
586	5.6				X
587	2.1				X
588	0	X			
589	0	X			
590	0	X			
591	0	X			
592	0	X			
593	0	X			
594	0	X			
595	0	X			
596	0	X			
597	0	X			
598	0	X			
599	0	X			
600	0	X			

Table A4.App12/29

WMTC. part 1. class 0-2. applicable for vehicles with a maximum design vehicle speed (where applicable truncated at 45 km/h & 50km/h. respectively) and a low engine displacement (< 50 cm3). cold or warm. 0 to 180 s

time in s	roller speed in km/h	phase indicators				time in s	roller speed in km/h	phase indicators				time in s	roller speed in km/h	phase indicators			
		stop	acc	cruise	dec			stop	acc	cruise	dec			stop	acc	cruise	dec
0	0	X				33	25.6		X			66	9.3				X
1	0	X				34	27.1		X			67	4.8				X
2	0	X				35	28		X			68	1.9				X
3	0	X				36	28.7		X			69	0	X			
4	0	X				37	29.2		X			70	0	X			
5	0	X				38	29.8		X			71	0	X			
6	0	X				39	30.3			X		72	0	X			
7	0	X				40	29.6			X		73	0	X			
8	0	X				41	28.7			X		74	1.7		X		
9	0	X				42	27.9			X		75	5.8		X		
10	0	X				43	27.4			X		76	11.8		X		
11	0	X				44	27.3			X		77	17.3		X		
12	0	X				45	27.3			X		78	22		X		
13	0	X				46	27.4			X		79	26.2		X		
14	0	X				47	27.5			X		80	29.4		X		
15	0	X				48	27.6			X		81	31.1		X		
16	0	X				49	27.6			X		82	32.9		X		
17	0	X				50	27.6			X		83	34.7		X		
18	0	X				51	27.8			X		84	34.8		X		
19	0	X				52	28.1			X		85	34.8		X		
20	0	X				53	28.5			X		86	34.9		X		
21	0	X				54	28.9			X		87	35.4		X		
22	1		X			55	29.2			X		88	36.2		X		
23	2.6		X			56	29.4			X		89	37.1		X		
24	4.8		X			57	29.7			X		90	38		X		
25	7.2		X			58	30			X		91	38.7			X	
26	9.6		X			59	30.5			X		92	38.9			X	
27	12		X			60	30.6				X	93	38.9			X	
28	14.3		X			61	29.6				X	94	38.8			X	
29	16.6		X			62	26.9				X	95	38.5			X	
30	18.9		X			63	23				X	96	38.1			X	
31	21.2		X			64	18.6				X	97	37.5			X	
32	23.5		X			65	14.1				X	98	37			X	

time in s	roller speed in km/h	phase indicators				time in s	roller speed in km/h	phase indicators				time in s	roller speed in km/h	phase indicators			
		stop	acc	cruise	dec			stop	acc	cruise	dec			stop	acc	cruise	dec
99	36.7			X		126	35.2				X	154	0	X			
100	36.5			X		127	34.7				X	155	0	X			
101	36.5			X		128	33.9				X	156	0	X			
102	36.6			X		129	32.4				X	157	0	X			
103	36.8			X		130	29.8				X	158	0	X			
104	37			X		131	26.1				X	159	0	X			
105	37.1			X		132	22.1				X	160	0	X			
106	37.3			X		133	18.6				X	161	0	X			
107	37.4			X		134	16.8		X			162	0	X			
108	37.5			X		135	17.7		X			163	0	X			
109	37.4			X		136	21.1		X			164	0	X			
110	36.9				X	137	25.4		X			165	0	X			
111	36				X	138	29.2		X			166	0	X			
112	34.8				X	139	31.6		X			167	0	X			
113	31.9				X	140	32.1				X	168	0	X			
114	29				X	141	31.6				X	169	0	X			
115	26.9				X	142	30.7				X	170	0	X			
116	24.7			X		143	29.7				X	171	0	X			
117	25.4			X		144	28.1				X	172	0	X			
118	26.4			X		145	25				X	173	0	X			
119	27.7			X		146	20.3				X	174	0	X			
120	29.4			X		147	15				X	175	0	X			
						148	9.7				X	176	0	X			
121	31.2			X		149	5				X	177	0	X			
122	33			X		150	1.6				X	178	0	X			
123	34.4			X		151	0	X				179	0	X			
124	35.2			X		152	0	X				180	0	X			
125	35.4				X	153	0	X									

Table A4.App12/30

WMTC. part 1. class 0-2. applicable for vehicles with a maximum design vehicle speed (where applicable truncated at 45 km/h & 50km/h. respectively) and a low engine displacement (< 50 cm3). cold or warm. 181 to 360 s

time in s	roller speed in km/h	phase indicators				time in s	roller speed in km/h	phase indicators				time in s	roller speed in km/h	phase indicators			
		stop	acc	cruise	dec			stop	acc	cruise	dec			stop	acc	cruise	dec
181	0	X				211	45			X		241	43.9			X	
182	0	X				212	45			X		242	43.8				X
183	0	X				213	45			X		243	43				X
184	0	X				214	45			X		244	40.9				X
185	0.4		X			215	45			X		245	36.9				X
186	1.8		X			216	45			X		246	32.1				X
187	5.4		X			217	45			X		247	26.6				X
188	11.1		X			218	45			X		248	21.8				X
189	16.7		X			219	45			X		249	17.2				X
190	21.3		X			220	45			X		250	13.7				X
191	24.8		X			221	45			X		251	10.3				X
192	28.4		X			222	45			X		252	7				X
193	31.8		X			223	45			X		253	3.5				X
194	34.6		X			224	45			X		254	0	X			
195	36.3		X			225	45			X		255	0	X			
196	37.8		X			226	45			X		256	0	X			
197	39.6		X			227	45			X		257	0	X			
198	41.3		X			228	45			X		258	0	X			
199	43.3		X			229	45			X		259	0	X			
200	45					230	45			X		260	0	X			
201	45					231	45			X		261	0	X			
202	45					232	45			X		262	0	X			
203	45			X		233	45			X		263	0	X			
204	45			X		234	45			X		264	0	X			
205	45			X		235	45			X		265	0	X			
206	45			X		236	44.4			X		266	0	X			
207	45			X		237	43.5			X		267	0.5		X		
208	45			X		238	43.2			X		268	2.9		X		
209	45			X		239	43.3			X		269	8.2		X		
210	45			X		240	43.7			X		270	13.2		X		

time in s	roller speed in km/h	phase indicators				time in s	roller speed in km/h	phase indicators				time in s	roller speed in km/h	phase indicators			
		stop	acc	cruise	dec			stop	acc	cruise	dec			stop	acc	cruise	dec
271	17.8		X			301	30.6			X		331	26.6			X	
272	21.4		X			302	29			X		332	26.8			X	
273	24.1		X			303	27.8			X		333	27			X	
274	26.4		X			304	27.2			X		334	27.2			X	
275	28.4		X			305	26.9			X		335	27.4			X	
276	29.9		X			306	26.5			X		336	27.5			X	
277	30.5			X		307	26.1			X		337	27.7			X	
278	30.5			X		308	25.7			X		338	27.9			X	
279	30.3			X		309	25.5			X		339	28.1			X	
280	30.2			X		310	25.7			X		340	28.3			X	
281	30.1			X		311	26.4			X		341	28.6			X	
282	30.1			X		312	27.3			X		342	29.1			X	
283	30.1			X		313	28.1			X		343	29.6			X	
284	30.2			X		314	27.9				X	344	30.1			X	
285	30.2			X		315	26				X	345	30.6			X	
286	30.2			X		316	22.7				X	346	30.8			X	
287	30.2			X		317	19				X	347	30.8			X	
288	30.5			X		318	16				X	348	30.8			X	
289	31			X		319	14.6			X		349	30.8			X	
290	31.9			X		320	15.2			X		350	30.8			X	
291	32.8			X		321	16.9			X		351	30.8			X	
292	33.7			X		322	19.3			X		352	30.8			X	
293	34.5			X		323	22			X		353	30.8			X	
294	35.1			X		324	24.6			X		354	30.9			X	
295	35.5			X		325	26.8			X		355	30.9			X	
296	35.6			X		326	27.9			X		356	30.9			X	
297	35.4			X		327	28			X		357	30.8			X	
298	35			X		328	27.7			X		358	30.4			X	
299	34			X		329	27.1			X		359	29.6			X	
300	32.4			X		330	26.8			X		360	28.4			X	

Table A4.App12/31

WMTC, part 1, class 0-2, applicable for vehicles with a maximum design vehicle speed (where applicable truncated at 45 km/h & 50km/h, respectively) and a low engine displacement (< 50 cm³), cold or warm. 361 to 540 s

time in s	roller speed in km/h	phase indicators				time in s	roller speed in km/h	phase indicators				time in s	roller speed in km/h	phase indicators			
		stop	acc	cruise	dec			stop	acc	cruise	dec			stop	acc	cruise	dec
361	27.1			X		391	27.2			X		421	34		X		
362	26			X		392	26.9				X	422	35.4		X		
363	25.4			X		393	26.4				X	423	36.5		X		
364	25.5			X		394	25.7				X	424	37.5		X		
365	26.3			X		395	24.9				X	425	38.6		X		
366	27.3			X		396	21.4				X	426	39.6		X		
367	28.3			X		397	15.9				X	427	40.7		X		
368	29.2			X		398	9.9				X	428	41.4		X		
369	29.5			X		399	4.9				X	429	41.7			X	
370	29.4			X		400	2.1				X	430	41.4			X	
371	28.9			X		401	0.9				X	431	40.9			X	
372	28.1			X		402	0	X				432	40.5			X	
373	27.1			X		403	0	X				433	40.2			X	
374	26.3			X		404	0	X				434	40.1			X	
375	25.7			X		405	0	X				435	40.1			X	
376	25.5			X		406	0	X				436	39.8				X
377	25.6			X		407	0	X				437	38.9				X
378	25.9			X		408	1.2		X			438	37.4				X
379	26.3			X		409	3.2		X			439	35.8				X
380	26.9			X		410	5.9		X			440	34.1				X
381	27.6			X		411	8.8		X			441	32.5				X
382	28.4			X		412	12		X			442	30.9				X
383	29.3			X		413	15.4		X			443	29.4				X
384	30.1			X		414	18.9		X			444	27.9				X
385	30.4			X		415	22.1		X			445	26.5				X
386	30.2			X		416	24.7		X			446	25				X
387	29.5			X		417	26.8		X			447	23.4				X
388	28.6			X		418	28.7		X			448	21.8				X
389	27.9			X		419	30.6		X			449	20.3				X
390	27.5			X		420	32.4		X			450	19.3				X

time in s	roller speed in km/h	phase indicators				time in s	roller speed in km/h	phase indicators				time in s	roller speed in km/h	phase indicators			
		stop	acc	cruise	dec			stop	acc	cruise	dec			stop	acc	cruise	dec
451	18.7				X	481	0	X				511	16.7				X
452	18.3				X	482	0	X				512	10.7				X
453	17.8				X	483	0	X				513	4.7				X
454	17.4				X	484	0	X				514	1.2				X
455	16.8				X	485	0	X				515	0	X			
456	16.3			X		486	1.4		X			516	0	X			
457	16.5			X		487	4.5		X			517	0	X			
458	17.6			X		488	8.8		X			518	0	X			
459	19.2			X		489	13.4		X			519	3		X		
460	20.8			X		490	17.3		X			520	8.2		X		
461	22.2			X		491	19.2		X			521	14.3		X		
462	23			X		492	19.7		X			522	19.3		X		
463	23				X	493	19.8		X			523	23.5		X		
464	22				X	494	20.7		X			524	27.3		X		
465	20.1				X	495	23.7		X			525	30.8		X		
466	17.7				X	496	27.9		X			526	33.7		X		
467	15				X	497	31.9		X			527	35.2		X		
468	12.1				X	498	35.4		X			528	35.2				X
469	9.1				X	499	36.2				X	529	32.5				X
470	6.2				X	500	34.2				X	530	27.9				X
471	3.6				X	501	30.2				X	531	23.2				X
472	1.8				X	502	27.1				X	532	18.5				X
473	0.8				X	503	26.6		X			533	13.8				X
474	0	X				504	28.6		X			534	9.1				X
475	0	X				505	32.6		X			535	4.5				X
476	0	X				506	35.5		X			536	2.3				X
477	0	X				507	36.6				X	537	0	X			
478	0	X				508	34.6				X	538	0	X			
479	0	X				509	30				X	539	0	X			
480	0	X				510	23.1				X	540	0	X			

Table A4.App12/32

WMTC. part 1. class 0-2. applicable for vehicles with a maximum design vehicle speed (where applicable truncated at 45 km/h & 50km/h. respectively) and a low engine displacement (< 50 cm3). cold or warm. 541 to 600 s.

<i>time in s</i>	<i>roller speed in km/h</i>	<i>phase indicators</i>			
		<i>stop</i>	<i>acc</i>	<i>cruise</i>	<i>dec</i>
541	0	X			
542	2.8		X		
543	8.1		X		
544	14.3		X		
545	19.2		X		
546	23.5		X		
547	27.2		X		
548	30.5		X		
549	33.1		X		
550	35.7		X		
551	38.3		X		
552	41		X		
553	43.6			X	
554	43.7			X	
555	43.8			X	
556	43.9			X	
557	44			X	
558	44.1			X	
559	44.2			X	
560	44.3			X	
561	44.4			X	
562	44.5			X	
563	44.6			X	
564	44.9			X	
565	45			X	
566	45			X	
567	45			X	
568	45			X	
569	45			X	
570	45			X	
571	45			X	
572	45			X	
573	45				

<i>time in s</i>	<i>roller speed in km/h</i>	<i>phase indicators</i>			
		<i>stop</i>	<i>acc</i>	<i>cruise</i>	<i>dec</i>
574	45				
575	45				
576	42.3				X
577	39.5				X
578	36.6				X
579	33.7				X
580	30.1				X
581	26				X
582	21.8				X
583	17.7				X
584	13.5				X
585	9.4				X
586	5.6				X
587	2.1				X
588	0	X			
589	0	X			
590	0	X			
591	0	X			
592	0	X			
593	0	X			
594	0	X			
595	0	X			
596	0	X			
597	0	X			
598	0	X			
599	0	X			
600	0	X			

Annex 4 - Appendix 13

Explanatory note on the gearshift procedure

1. Introduction

This explanatory note explains matters specified or described in this Regulation, including its Annexes or Appendices, and matters related thereto with regard to the gearshift procedure.
2. Approach
 - 2.1. The development of the gearshift procedure was based on an analysis of the gearshift points in the in-use data. In order to establish generalised correlations between technical specifications of the vehicles and desired vehicle speeds to shift gears, the engine speeds were normalised to the utilisable band between rated engine speed and idling engine speed.
 - 2.2. In a second step, the end speeds (vehicle speed as well as normalised engine speed) for upshifts and downshifts were determined and recorded in a separate table. The averages of these speeds for each gear and vehicle were calculated and correlated with the vehicles' technical specifications.
 - 2.3. The results of these analyses and calculations can be summarised as follows:
 - (a) the gearshift behaviour is engine-speed-related rather than vehicle-speed-related;
 - (b) the best correlation between gearshift desired vehicle speeds and technical data was found for normalised engine speeds and the power-to-mass ratio (maximum continuous rated power/(reference mass));
 - (c) the residual variations cannot be explained by other technical data or by different drive train ratios. They are most probably due to differences in traffic conditions and individual driver behaviour;
 - (d) the best approximation between gearshift desired vehicle speeds and power-to-mass ratio was found for exponential functions;
 - (e) the gearshift mathematical function for the first gear is significantly lower than for all other gears;
 - (f) the gearshift desired vehicle speeds for all other gears can be approximated by one common mathematical function;
 - (g) no differences were found between five-gear and six-gear transmissions;
 - (h) gearshift behaviour in Japan is significantly different from the equal-type gearshift behaviour in the European Union (EU) and in the United States of America (USA).
 - 2.4. In order to find a balanced compromise between the three regions, a new approximation function for normalised upshift engine speeds versus power-to-mass ratio was calculated as a weighted average of the EU/USA curve (with 2/3 weighting) and the Japanese curve (with 1/3 weighting), resulting in the following equations for normalised upshift engine speeds:

Equation (1): Normalised upshift engine speed in 1st gear (gear 1)

$$n_{\max_acc}(1) = \left(0.5753 \times e^{\left(-1.9 \times \frac{P_n}{m_k + 75}\right)} - 0.1\right) \times (s - n_{idle}) + n_{idle} \quad (1)$$

Equation (2): Normalised upshift engine speed in gears > 1

$$n_{\max_acc}(i) = \left(0.5753 \times e^{\left(-1.9 \times \frac{P_n}{m_k + 75}\right)}\right) \times (s - n_{idle}) + n_{idle} \quad (2)$$

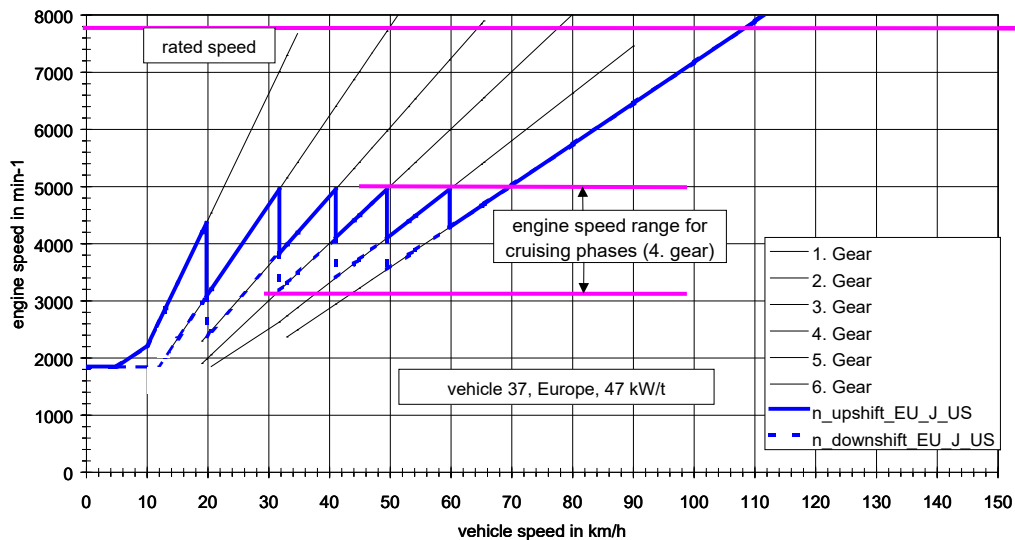
3. Calculation example

3.1 Figure A4.App13/1 shows an example of gearshift use for a small vehicle:

- the lines in bold show the gear use for acceleration phases;
- the dotted lines show the downshift points for deceleration phases;
- in the cruising phases, the whole engine speed range between downshift engine speed and upshift engine speed may be used.

Figure A4.App13/1

Example of a gearshift sketch for a small vehicle



3.2 Where vehicle speed increases gradually during cruise phases, upshift engine speeds ($v_1 \rightarrow 2$, $v_2 \rightarrow 3$ and $v_i \rightarrow i+1$) in km/h may be calculated using the following equations:

$$v_{1 \rightarrow 2} = \left[0.03 \times (s - n_{idle}) + n_{idle}\right] \times \frac{1}{ndv_2} \quad (3)$$

$$v_{1 \rightarrow 2} = \left[\left(0.5753 \times e^{\left(-1.9 \times \frac{P_n}{m_{ref}}\right)} - 0.1\right) \times (s - n_{idle}) + n_{idle} \right] \times \frac{1}{ndv_1} \quad (4)$$

$$v_{i \rightarrow i+1} = \left[\left(0.5753 \times e^{\left(-1.9 \times \frac{P_n}{m_{ref}}\right)}\right) \times (s - n_{idle}) + n_{idle} \right] \times \frac{1}{ndv_{i-1}}, \quad i = 3 \text{ to } ng$$

Figure A4.App13/2
Example of a gearshift sketch. Gear use during acceleration phases

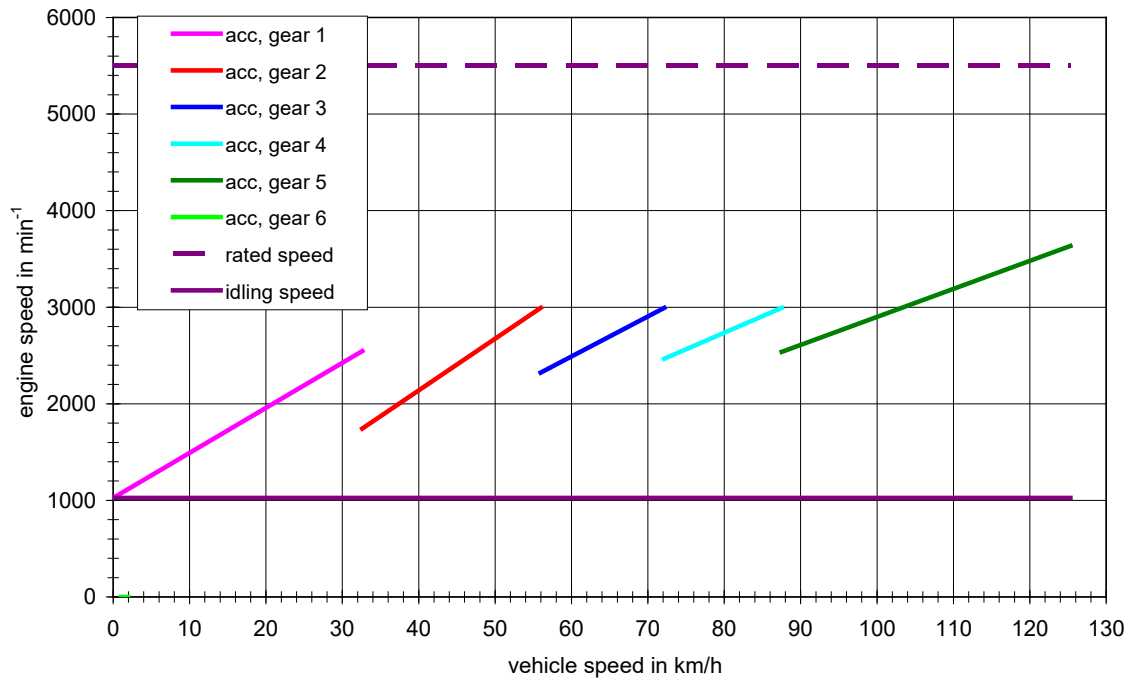
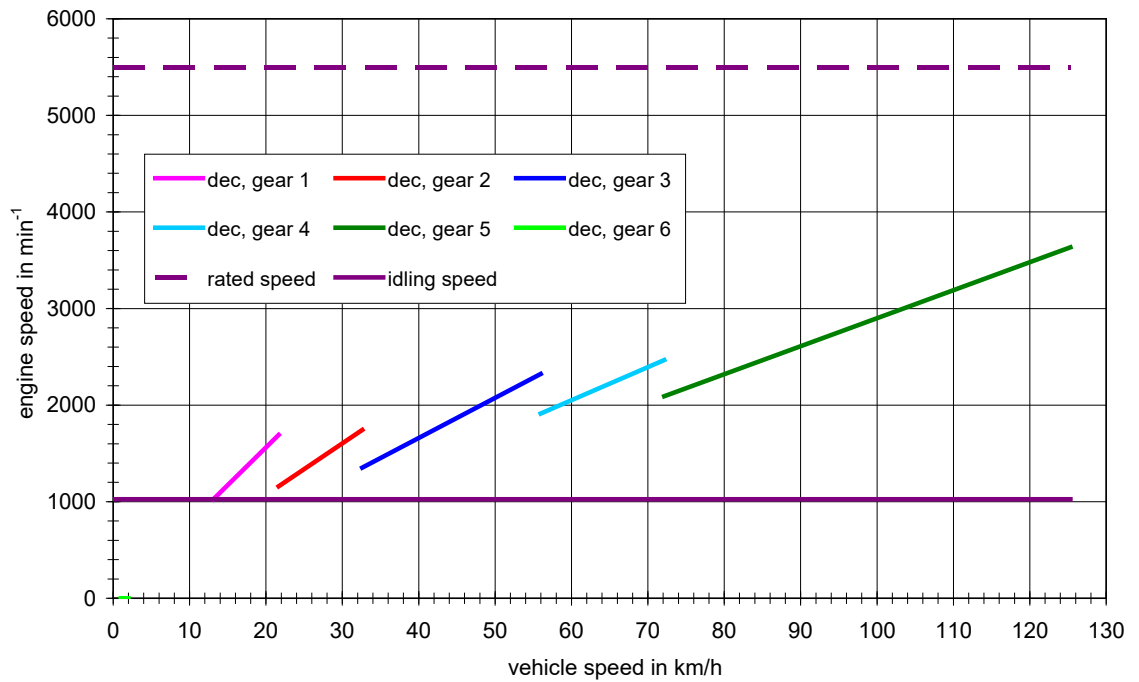


Figure A4.App13/3
Example of a gearshift sketch. Gear use during deceleration and cruise phases



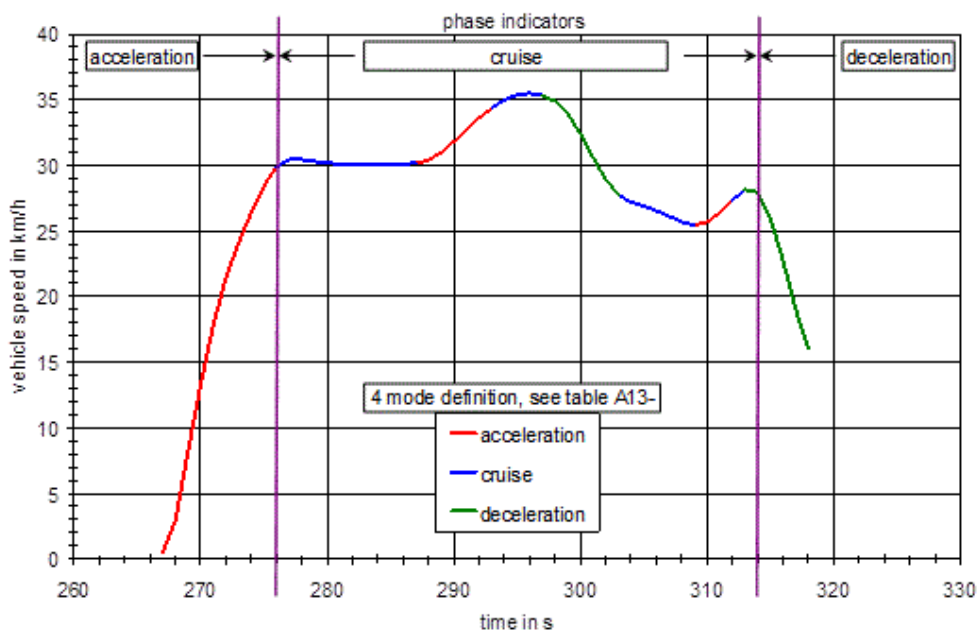
- 3.3 In order to allow the technical service more flexibility and to ensure driveability, the gearshift regression functions should be considered as lower limits. Higher engine speeds are permitted in any cycle phase.
- 4. Phase indicators
 - 4.1 In order to avoid different interpretations in the application of the gearshift equations and thus to improve the comparability of the test, fixed-phase indicators are assigned to the vehicle speed pattern of the cycles. The specification of the phase indicators is based on the definition from the Japan Automobile Research Institute (JARI) of the four driving modes as shown in the following table:

Table A4.App13/1
Definition of driving modes

<i>4 modes</i>	<i>Definition</i>
Idle mode	vehicle speed < 5 km/h and -0.5 km/h/s (-0.139 m/s ²) < acceleration < 0.5 km/h/s (0.139 m/s ²)
Acceleration mode	acceleration > 0.5 km/h/s (0.139 m/s ²)
Deceleration mode	acceleration < - 0.5 km/h/s (- 0.139 m/s ²)
Cruise mode	vehicle speed ≥ 5 km/h and -0.5 km/h/s (-0.139 m/s ²) < acceleration < 0.5 km/h/s (0.139 m/s ²)

- 4.2 The indicators were then modified in order to avoid frequent changes during relatively homogeneous cycle parts and thus improve driveability. . Figure A4.App13/4 shows an example from cycle part 1.

Figure A4.App13/4
Example for modified phase indicators



- 5. Calculation example

- 5.1. An example of input data necessary for the calculation of shift engine speeds is shown in Table A4.App13/2. The upshift engine speeds for acceleration phases for first gear and higher gears are calculated using Equations (1) and (2). The denormalisation of engine speeds can be performed using the equation $n = n_{norm} \times (s - n_{idle}) + n_{idle}$.
- 5.2. The downshift engine speeds for deceleration phases can be calculated using Equations (3) and (4). The ndv values in Table A4.App13/2 can be used as gear ratios. These values can also be used to calculate the corresponding vehicle speeds (vehicle shift speed in gear $i =$ engine shift speed in gear i / ndv_i). The results are shown in Tables A4.App13/3 and A4.App13/4.
- 5.3. Additional analyses and calculations were conducted to investigate whether these gearshift algorithms could be simplified and, in particular, whether engine shift speeds could be replaced by vehicle shift speeds. The analysis showed that vehicle speeds could not be brought in line with the gearshift behaviour of the in-use data.

Table A4.App13/2

Input data for the calculation of engine and vehicle shift speeds

<i>Item</i>	<i>Input data</i>
Engine capacity in cm ³	600
Pn in kW	72
m _{ref} in kg	199
s in min ⁻¹	11800
n _{idle} in min ⁻¹	1150
ndv1 */	133.66
ndv2	94.91
ndv3	76.16
ndv4	65.69
ndv5	58.85
ndv6	54.04
pmr **/ in kW/t	262.8

Note: */ndv means the ratio between engine speed in min⁻¹ and vehicle speed in km/h

**/pmr means the power-to-mass ratio calculated by $Pn / (m_{ref}) \cdot 1000$; Pn in kW. m_k in kg

Table A4.App13/3

Shift engine speeds for acceleration phases for first gear and for higher gears (see Table A4.App13/1)

	<i>EU/USA/JAPAN DRIVING BEHAVIOUR</i>	
	EU/USA/Japan driving behaviour	n _{acc_max} (1) n _{acc_max} (i)
n _{norm} */ in percent	24.9	34.9
n in min ⁻¹	3804	4869

Table A4.App13/4

Engine and desired vehicle shift speeds based on Table B.5.13.-2

<i>Gearshift</i>		<i>EU/USA/Japan driving behaviour</i>		
		<i>v in km/h</i>	<i>n_norm (i) in percent</i>	<i>n in min-1</i>
Upshift	1→2	28.5	24.9	3804
	2→3	51.3	34.9	4869
	3→4	63.9	34.9	4869
	4→5	74.1	34.9	4869
	5→6	82.7	34.9	4869
Downshift	2→cl */	15.5	3.0	1470
	3→2	28.5	9.6	2167
	4→3	51.3	20.8	3370
	5→4	63.9	24.5	3762
	6→5	74.1	26.8	4005

*/"cl" means "Clutch-Off" timing.