



United Nations Economic Commission for Europe

Transport Division

A WP.1 SURVEY: AUTOMATIC SPEED MEASUREMENT AND CONTROL

**Robert Nowak, UNECE secretariat
22-24 September 2014, Geneva**





**United Nations
Economic Commission for Europe**

A SURVEY OF AUTOMATIC SPEED MEASUREMENT AND CONTROL

The UNECE secretariat is undertaking this survey to inform the Working Party on Traffic Safety (WP.1) on some selected issues related to vehicle speed enforcement.

Your early responses to this survey will be appreciated. The replies will be consolidated and presented at a future WP.1 session.

For more information about this survey, you may contact Robert Nowak, WP.1 Secretary at Robert.Nowak@unece.org or by phone at +41 22 917 12 67.

This questionnaire may also be filled out on-line at
http://www.unece.org/trans/roadsafe/questionnaire_speedcontrol.html



Survey participation

- **18 replies**
- **2 of 18 (Luxembourg, Slovakia): «interested in results, but no fixed speed measurement in the country»**
- **Of the remaining 16: 2 non-CPs (South Africa and Turkey)**
- **Azerbaijan, Belgium, Finland, Georgia, Germany, Hungary, Italy, Latvia, Portugal, Romania, Russian Federation, Serbia, Sweden, Switzerland**

- **Replies not always comparable**
- **National roads, city roads**
- **Federal vs state jurisdictions**



- **In all 16 countries, automatic (spot) speed control is legal and used**



Number of cameras – number usually used

Azerbaijan
Belgium	1804	500
Portugal	18	18
Russian Federation	7300	7300
Sweden	1100	2-5 per cent
Latvia	4	4
RSA Kwazulu-Natal	11	11
Italy	..	100 per cent
Finland	950	90
Switzerland
Serbia	5	5
Georgia	40	40
Hungary	7	4
Romania	12	12
Turkey
Germany (Bavaria)	18	..



Legal issues

	NOTIFICATION	ILLEGAL?	LEGAL REQ'T?
Azerbaijan	YES		YES
Belgium	YES		NO
Portugal	YES		NO
Russian Federation	YES		YES
Sweden	YES		YES
Latvia	YES		YES
RSA Kwazulu-Natal	YES		YES
Italy	YES		YES
Finland	YES		YES
Switzerland	NO	YES	..
Serbia	YES		NO
Georgia	YES		YES
Hungary	YES		YES
Romania	YES		YES
Turkey	YES		NO
Germany	In some states	..	NO

Signs, what kind, other methods to notify

	Sign?	Kind	Other methods
Azerbaijan	YES	Vertical	..
Belgium	NO (unofficial)	Vertical	..
Portugal	YES	Vertical	..
Russian Federation	YES	Vertical, marking	..
Sweden	YES	Vertical	..
Latvia	YES	Vertical	..
RSA Kwazulu-Natal	YES	Vertical	RS campaigns, GPS
Italy	NO
Finland	YES	Vertical	..
Switzerland	NO	..	RS campaigns
Serbia	YES	Vertical	website
Georgia	YES	Vertical, VMS	website
Hungary	YES	Vertical	..
Romania	YES	Vertical	RS campaigns
Turkey	NO	Vertical	..
Germany	NO (unofficial)	Vertical	..

Legal basis - automatic section speed control

	Legal?	Used?	Number	Operational
Azerbaijan	YES	YES
Belgium	YES	YES	3	3
Portugal	YES	NO
Russian Federation	YES	NO
Sweden	YES	NO
Latvia	NO
RSA Kwazulu-Natal	YES	YES	11	11
Italy	YES	YES
Finland	YES	NO
Switzerland	YES	YES	1+1	1+1
Serbia	YES	NO
Georgia
Hungary
Romania
Turkey	NO
Germany	NO

Legal issues

	Notification	Illegal	Req't
Azerbaijan	YES	..	YES
Belgium	NO	NO	NO
Portugal
Russian	YES	..	YES
Sweden
Latvia
RSA Kwazulu-	YES	..	YES
Italy	YES	..	YES
Finland	YES	..	YES
Switzerland	NO	YES	YES
Serbia
Georgia
Hungary
Romania
Turkey
Germany

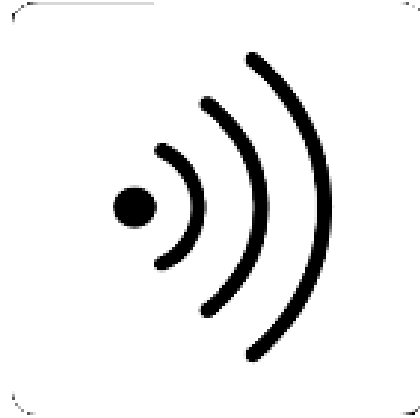
Signs, what kind, other methods to notify

	Sign	Type	Information
Azerbaijan	..	Vertical	NO
Belgium	NO	..	NO
Portugal
Russian	NO
Sweden
Latvia
RSA Kwazulu-	YES	Vertical	NO
Italy	NO
Finland
Switzerland
Serbia
Georgia
Hungary	If allowed -YES	Vertical	..
Romania
Turkey
Germany

Contracting Parties



Belgium



An informative sign (but no legal sign in effect) which is used to warn the drivers when approaching a “spot camera”

At speed control sections the same sign is sometimes used.

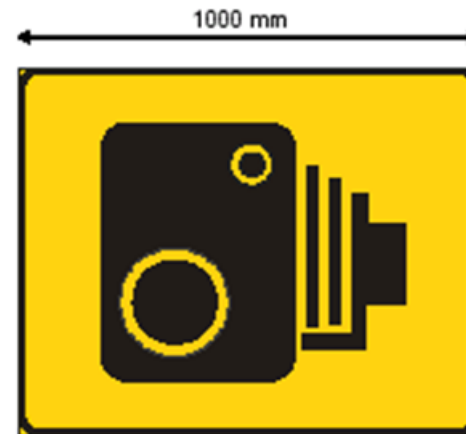


Used when a new leg of automatic speed enforcement begins

Informal translation: “Automatic Traffic Enforcement, Police”



Used within a leg after main junctions as a reminder





«Video control»





Hungary





Additional panel?

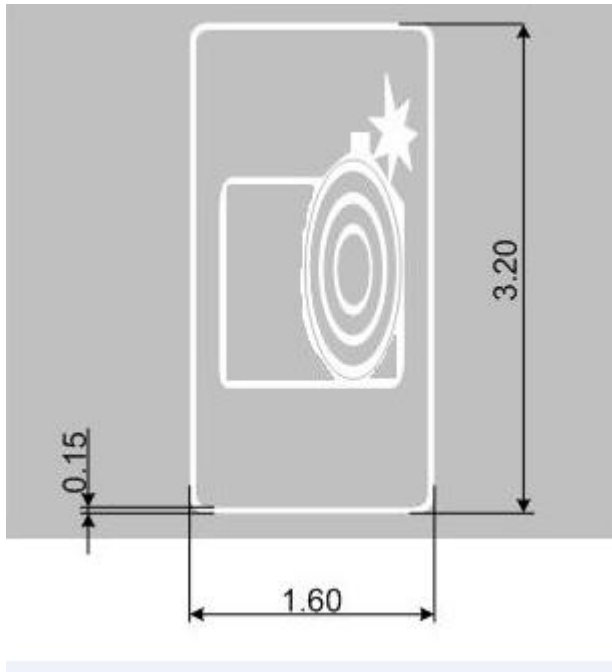
Portugal



H43 – Velocidade instantânea

Romania





Road marking



Additional panel "Photo and video control"





The sign placed to warn of speed cameras. In most cases, there is also a speed sign above. This sign is used everywhere where there is a camera – for congestion, surface conditions .



Not responding to the survey Contracting Parties





Other examples (unrelated to the survey) - France



Non-Contracting Parties



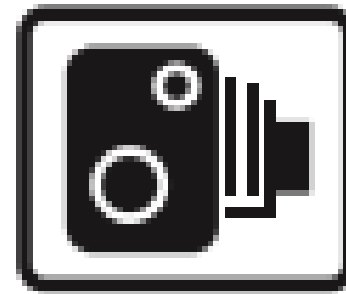




Not responding to the survey Non-Contracting Parties



Other examples (unrelated to the survey) – Spain and UK



Area in which
cameras are
used to enforce
traffic regulations





1968 Convention on Road Signs and Signals and 1971 European Supplement

Obligations of Contracting Parties



1968 Convention on Road Signs and Signals

Article 8, para.2

Contracting Parties wishing to adopt , in accordance with Article 3, paragraph 1 (a)(ii), of this Convention, any sign or symbol not prescribed in this Convention shall endeavour to secure regional agreement on such new sign or symbol.

1968 Convention on Road Signs and Signals

Article 8, para.1 (1968)

In order to facilitate international understanding of signs , the system of signs and signals prescribed in this Convention is

based on the use of shapes, and colours characteristic of each class of sign and, whenever possible, on the use of graphic symbols rather than inscriptions.

Article 8, para.3 (1968)

Nothing in this Convention shall prohibit the addition , mainly in order to facilitate the interpretation of signs, of an inscription in a rectangular panel.....(see point 7 of of the Annex of the European Agreement).

7. Ad article 8 of the Convention

Paragraph 3

This paragraph shall be read as follows:

During the transitional period of ten years prescribed in item 4 of this annex, and thereafter in **exceptional circumstances** to facilitate the interpretation of signs, an inscription may be added.....



UNITED NATIONS

Next steps...



UNECE - Transport Division

Some questions to be considered



Questions to be considered

- **To harmonize or not to harmonize?**
- **If so, a road sign or additional panel or both?**
- **What category?**
- **Spot measurement and section measurement?**
- **What design? More than one design (RE.2)?**

