

**Economic and Social Council**Distr.: General
28 January 2013

Original: English

Economic Commission for Europe

Inland Transport Committee

World Forum for Harmonization of Vehicle Regulations**Working Party on Lighting and Light-Signalling****Sixty-ninth session**

Geneva, 8–11 April 2013

Item 10 of the provisional agenda

Regulation No. 10 (Electromagnetic compatibility)**Proposal for the 05 series of amendments to Regulation
No. 10 (Electromagnetic compatibility)****Note by the Secretariat***

The text reproduced below was prepared by the Secretary to GRE, based on the document ECE/TRANS/WP.29/GRE/2013/3. It is proposing some corrections, mainly to the figures, to the original text. The modifications are marked in bold for new or strikethrough for deleted characters. In order to simplify the work of the experts, some annexes and appendixes have been completely reproduced.

* In accordance with the programme of work of the Inland Transport Committee for 2010–2014 (ECE/TRANS/208, para. 106, ECE/TRANS/2010/8, programme activity 02.4), the World Forum will develop, harmonize and update Regulations in order to enhance the performance of vehicles. The present document is submitted in conformity with that mandate.

I. Proposal

Paragraph 6.10.5., correct to read:

"6.10.5. Emission of transient conducted disturbances generated by ESAs on 12/24 V supply lines

ESAs that are not switched, contain no switches or do not include inductive ~~load~~ **load** need not be tested for transient conducted emission and shall be deemed to comply with paragraph ~~6.9~~ 6.7."

Paragraph 13.5., correct to read:

"13.3.1. As from 28 October 2014 (36 months after the official date of entry into force of this Regulation, as amended by the 04 series of amendments[→]), Contracting Parties applying this Regulation shall grant approvals only if the vehicle type, component or separate technical unit, to be approved meets the requirements of this Regulation as amended by the 04 series of amendments."

Annex 4, Appendix, correct to read:

"Annex 4 – Appendix

Figure 1

Clear horizontal surface free of electromagnetic reflection delimitation of the surface defined by an ellipse

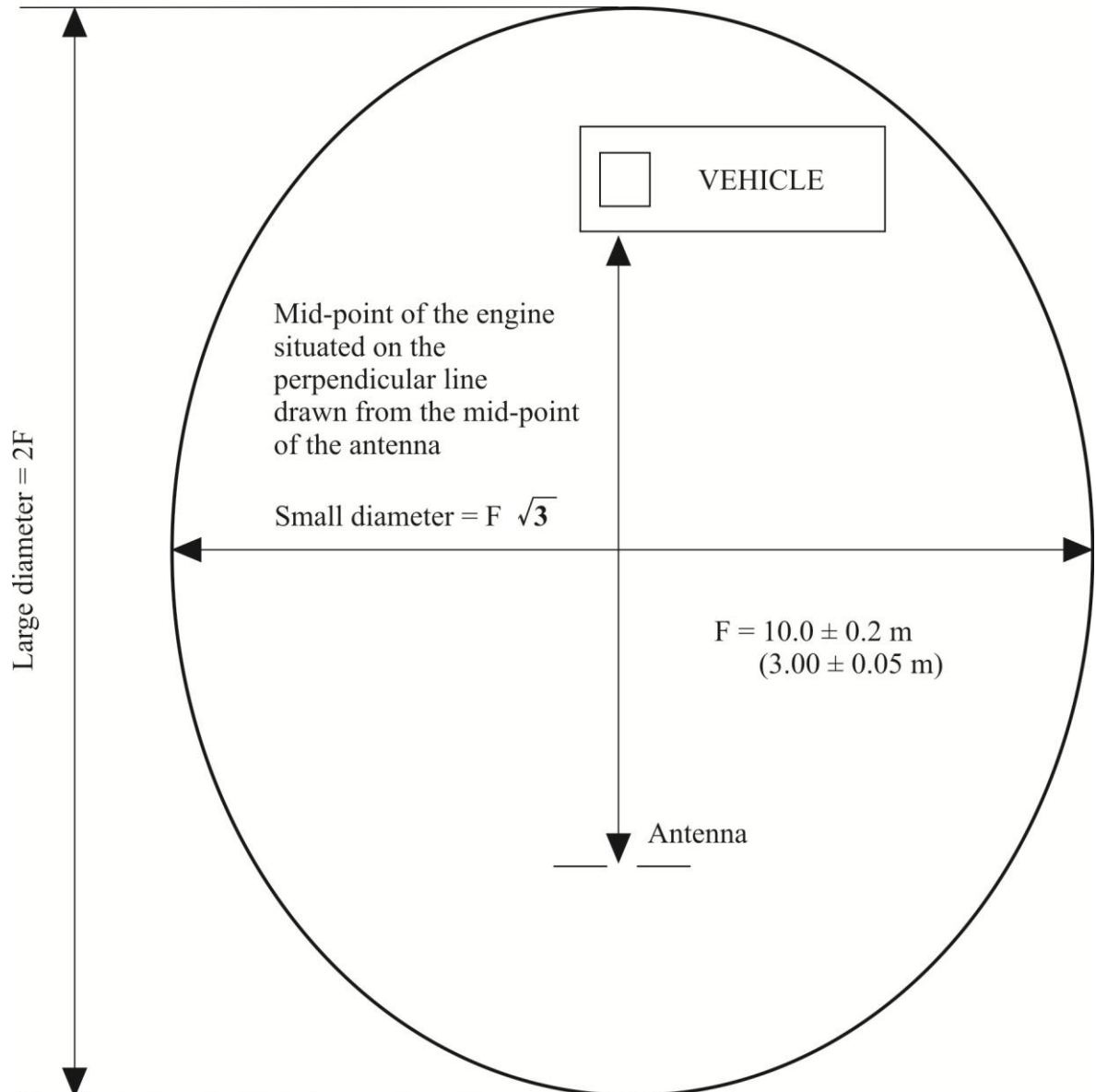


Figure 2
Position of antenna in relation to the vehicle

Figure 2a
Dipole antenna in position to measure the vertical radiation components

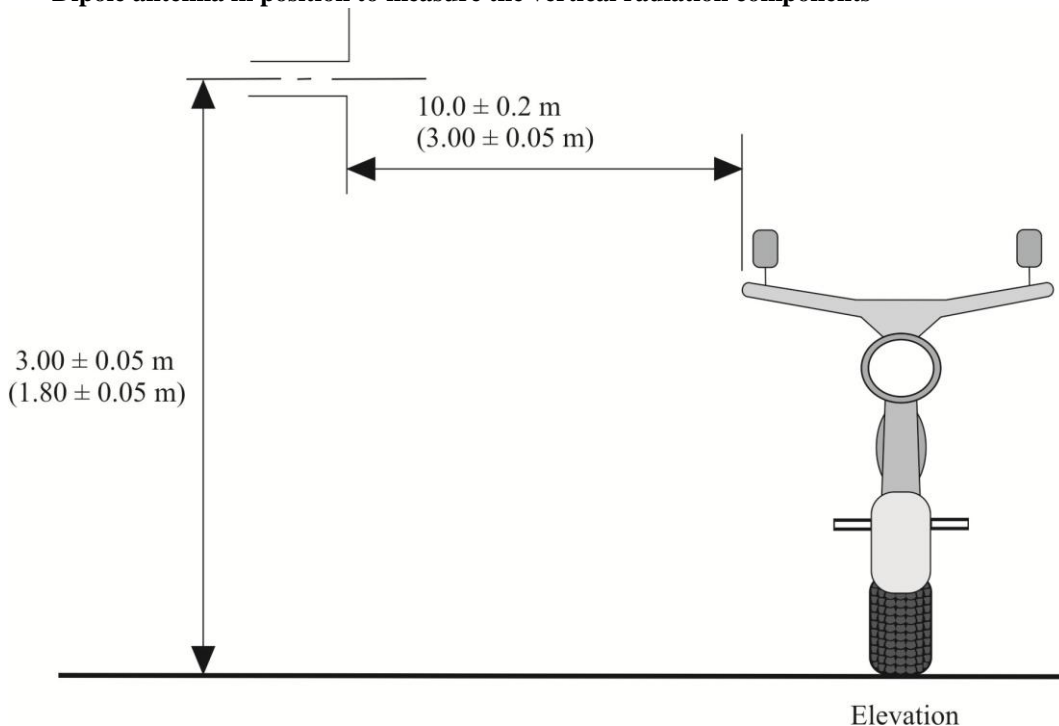


Figure 2b
Dipole antenna in position to measure the horizontal radiation components

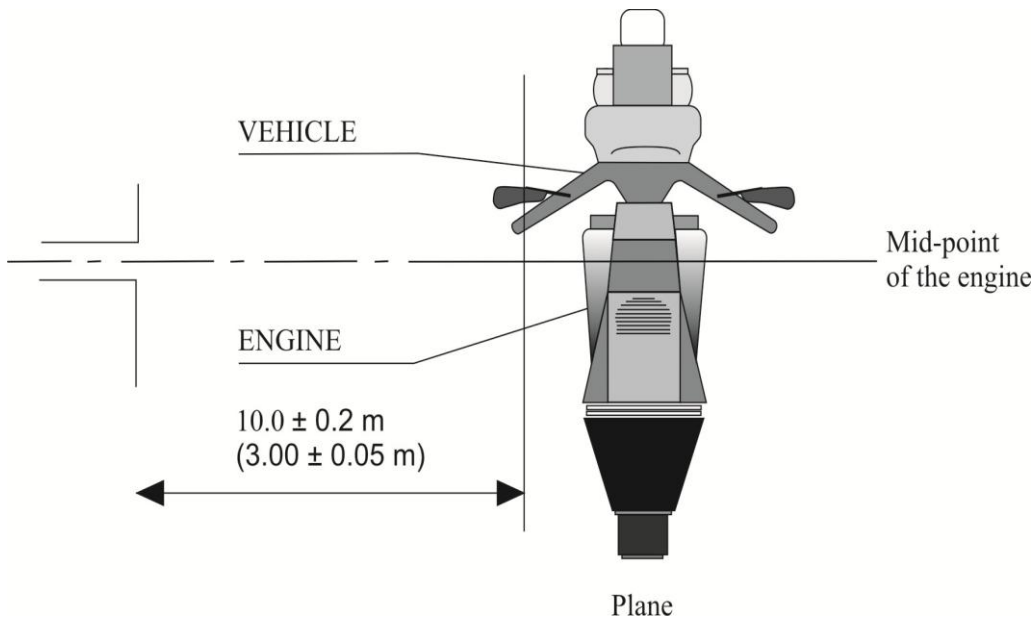


Figure 3
 Vehicle in configuration "REESS charging mode" coupled to the power grid

**Example of test set-up for vehicle with plug located on vehicle side
 (AC powered without communication)**

Figure 3a

Elevation

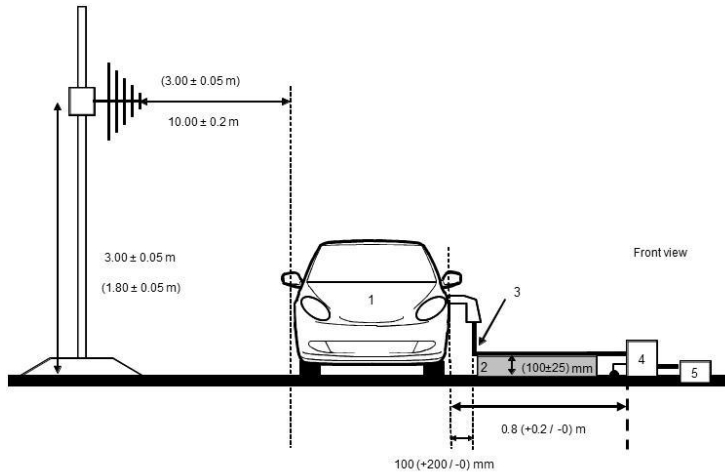
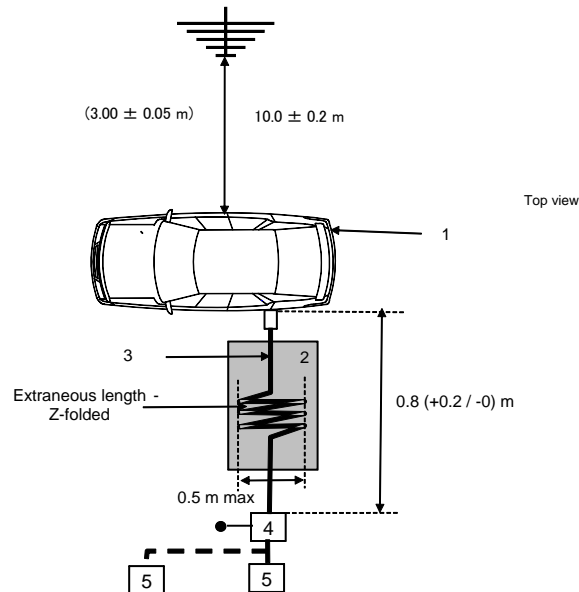


Figure 3b

Plane



Legend

- 1 Vehicle under test**
- 2 Insulating support**
- 3 Charging cable**
- 4 Artificial Network(s) grounded**
- 5 Power mains socket**

Vehicle in configuration "REESS charging mode" coupled to the power grid

**Example of test setup for vehicle with plug located front/rear of vehicle
(AC powered without communication)**

Figure 3c

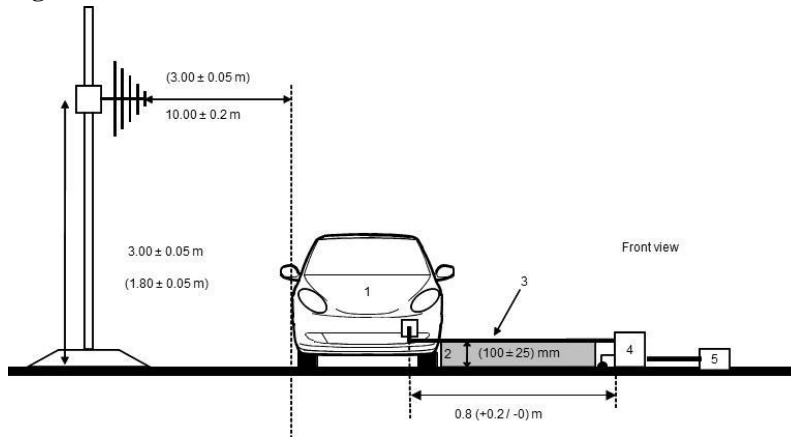
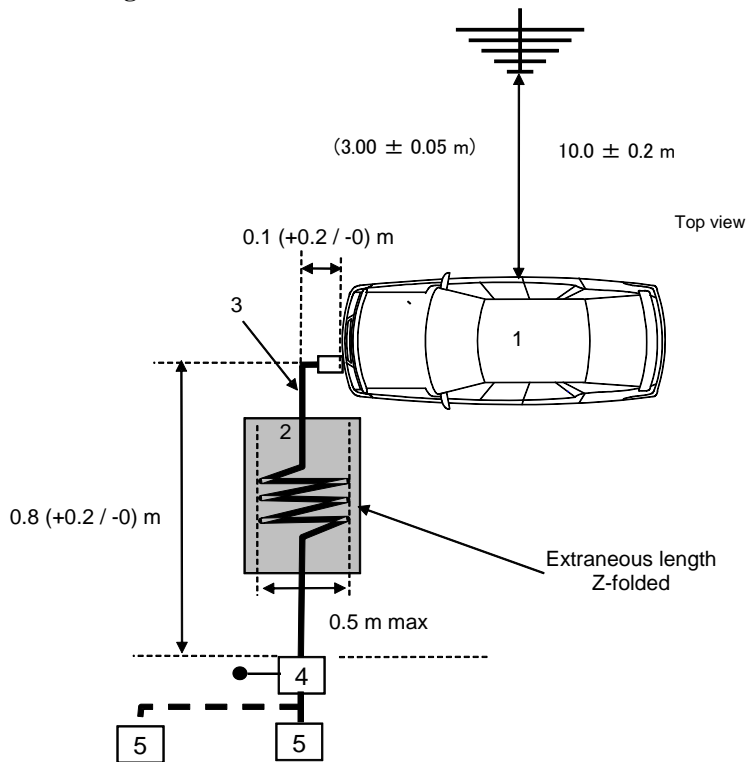


Figure 3d



Legend

- 1 Vehicle under test
- 2 Insulating support
- 3 Charging cable
- 4 Artificial Network(s) grounded
- 5 Power mains socket

Vehicle in configuration "REESS charging mode" coupled to the power grid
Example of test set-up for vehicle with plug located on vehicle side
(AC or DC powered with communication)

Figure 3e

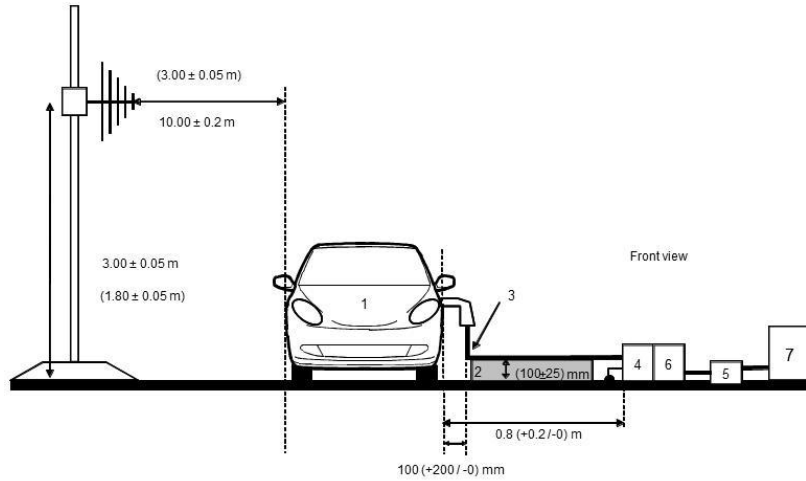
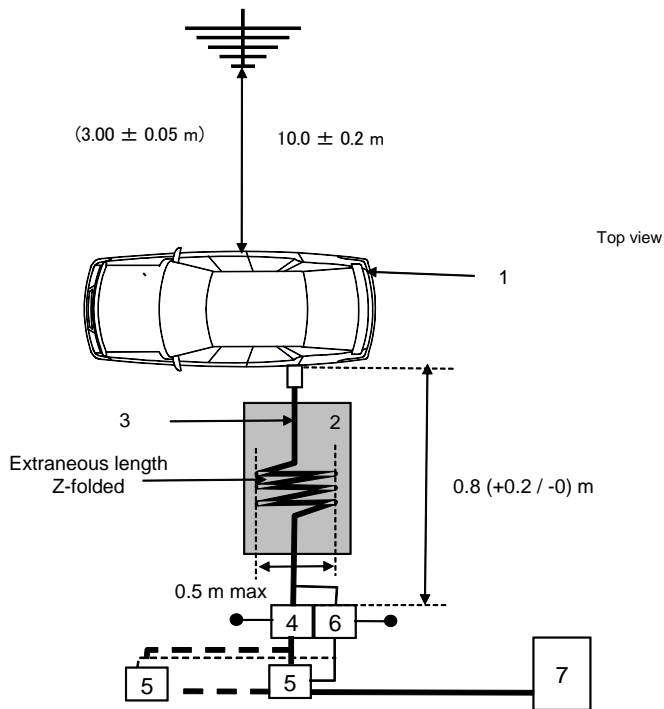


Figure 3f



Legend

- 1 Vehicle under test**
- 2 Insulating support**
- 3 Charging / communication cable**
- 4 AC or DC Artificial Network(s) grounded**
- 5 Power mains socket**
- 6 Impedance Stabilization(s) grounded**
- 7 Charging Station**

Vehicle in configuration "REESS charging mode" coupled to the power grid
Example of test setup for vehicle with plug located front/rear of the vehicle
(AC or DC powered with communication)

Figure 3g

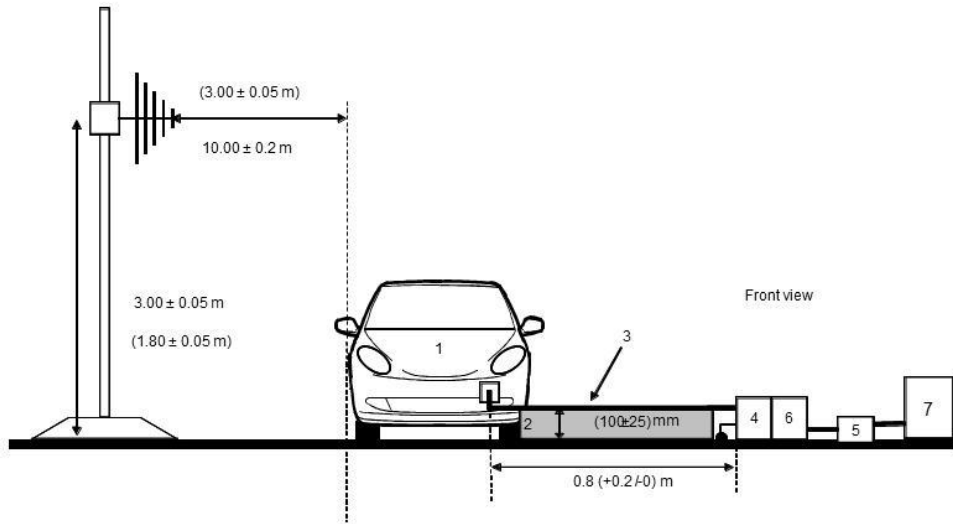
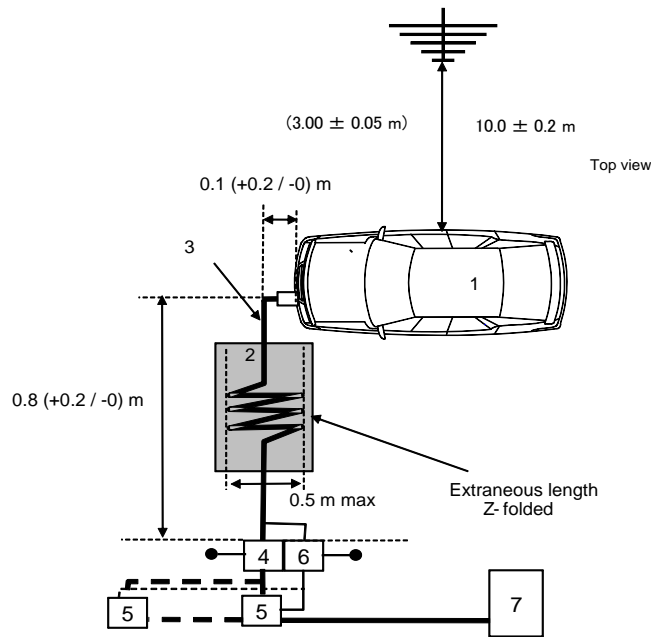


Figure 3h



Legend

- 1 Vehicle under test**
- 2 Insulating support**
- 3 Charging / communication cable**
- 4 AC or DC Artificial Network(s) grounded**
- 5 Power mains socket**
- 6 Impedance Stabilisation(s) grounded**
- 7 Charging Station**

Annex 6, Appendix 1, correct to read:

"Annex 6 – Appendix 1

Figure 1

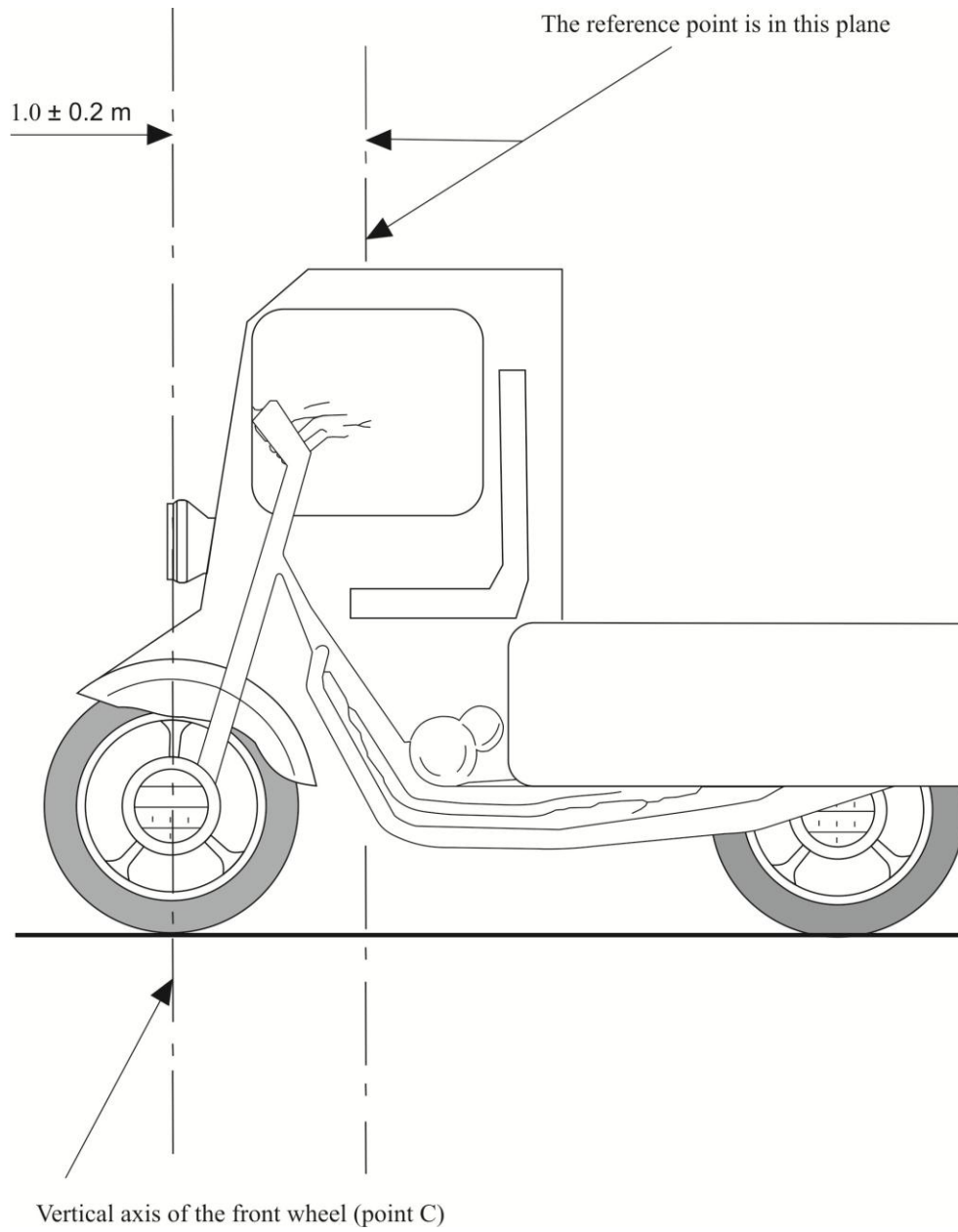


Figure 2

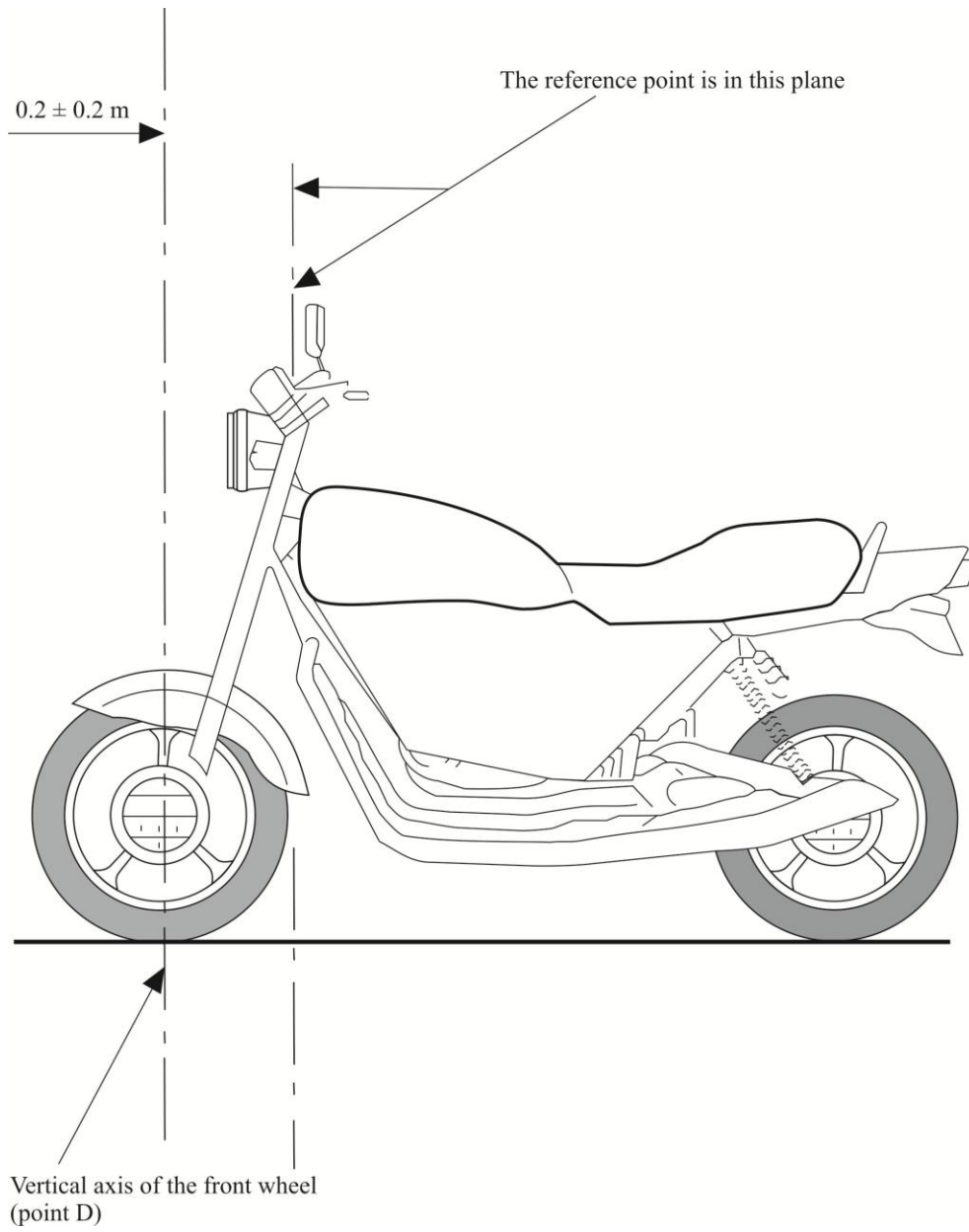


Figure 3

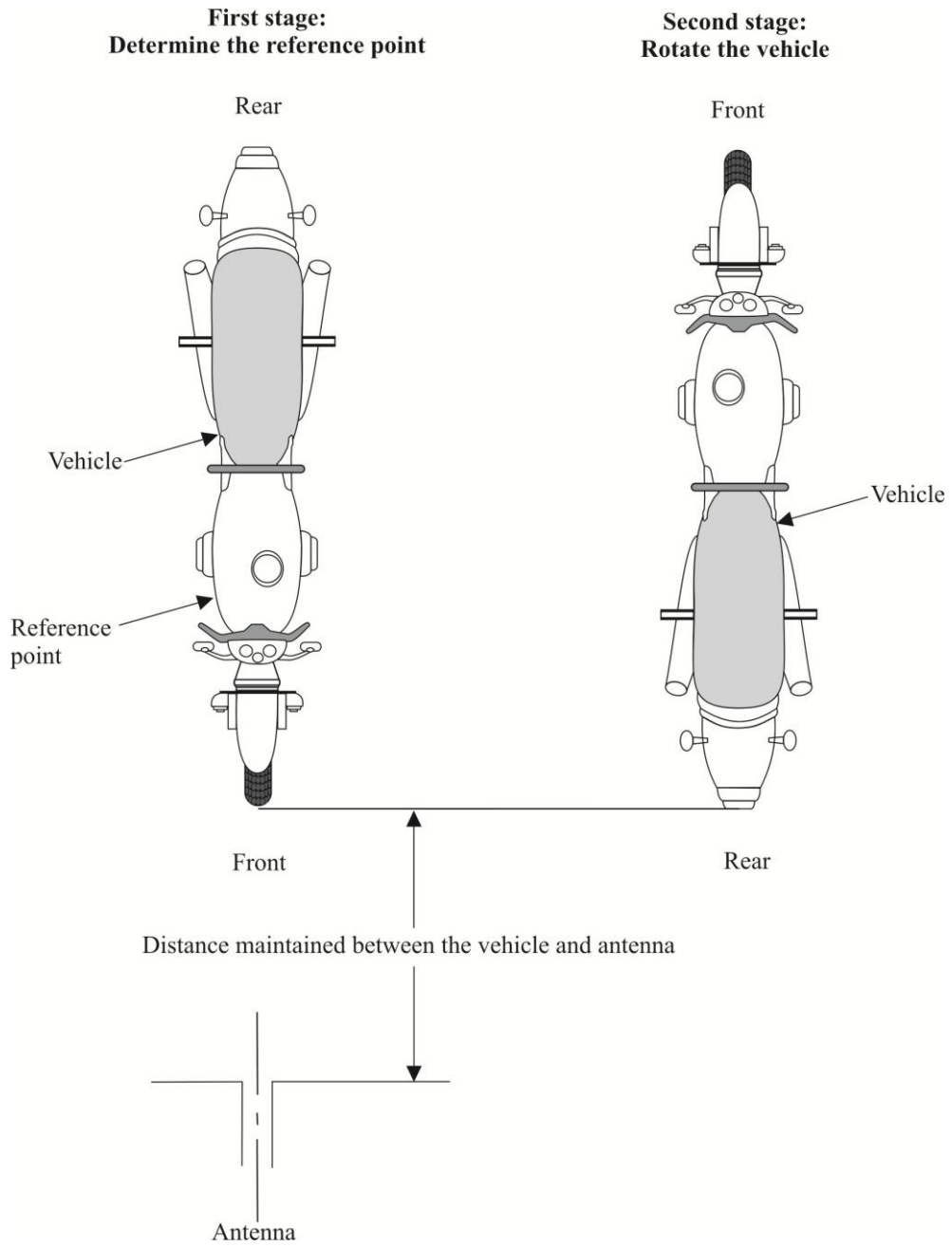


Figure 4
 Vehicle in configuration "REESS in charging mode coupled to the power grid"

Example of test set-up for vehicle with plug located on the vehicle side
 (AC power charging without communication)

Figure 4a

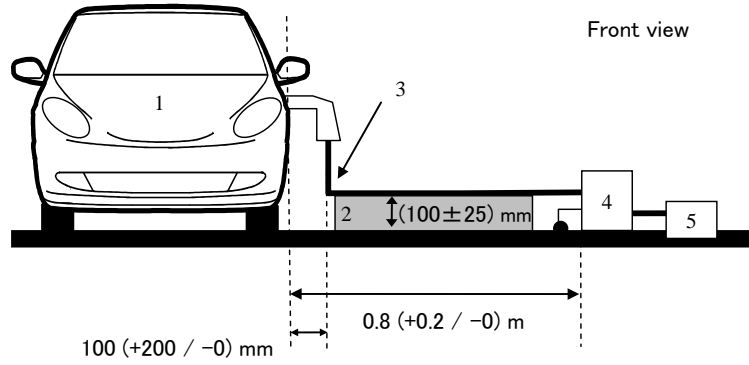
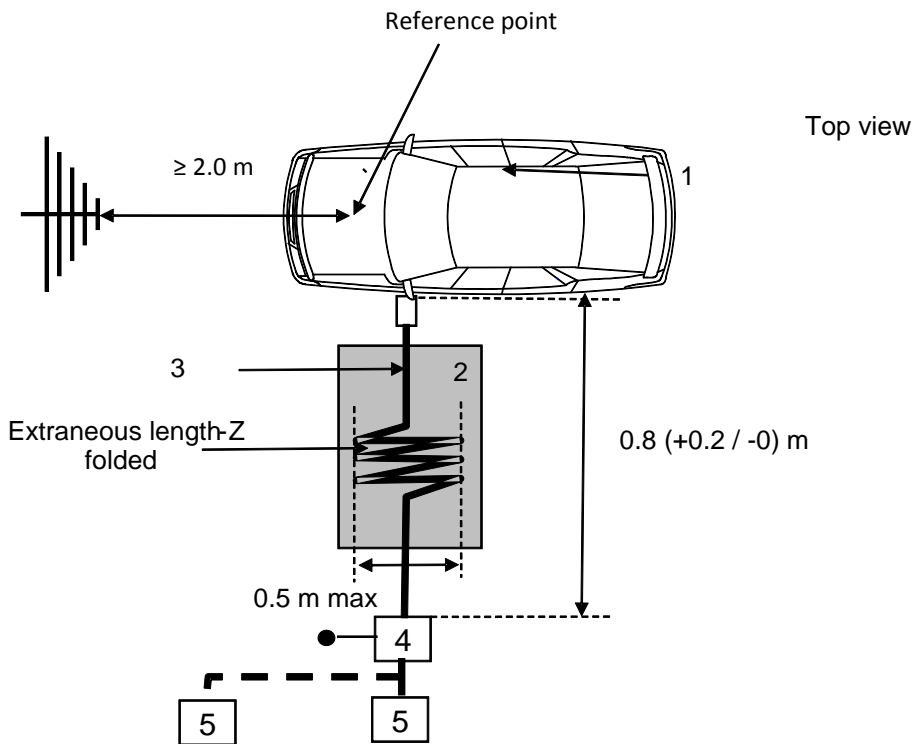


Figure 4b



Legend

- 1 Vehicle under test
- 2 Insulating support
- 3 Charging cable
- 4 Artificial Network(s) grounded
- 5 Power mains socket

Example of test set-up for vehicle with plug located front / rear of vehicle
(AC power charging without communication)

Figure 4c

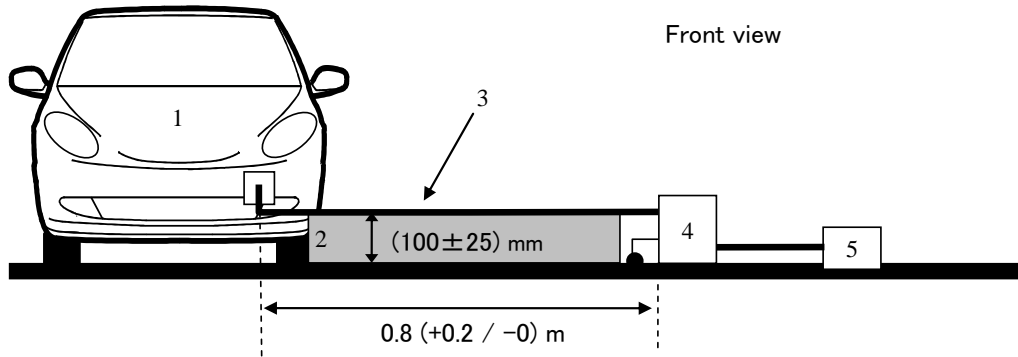
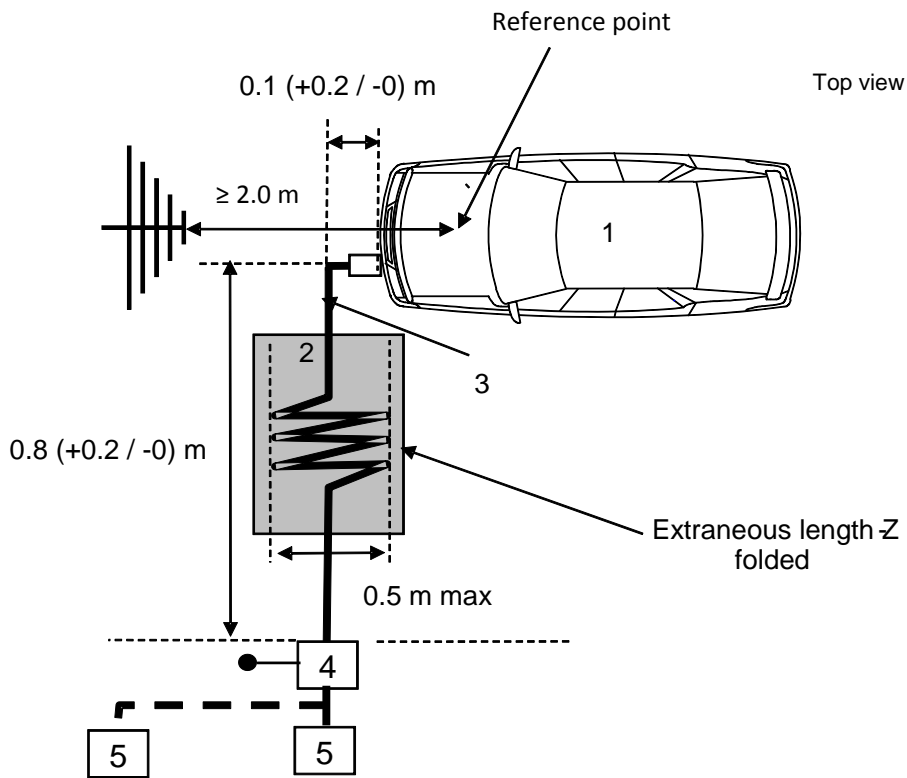


Figure 4d



Legend

- 1 Vehicle under test
- 2 Insulating support
- 3 Charging cable
- 4 Artificial Network(s) grounded
- 5 Power mains socket

**Example of test set-up for vehicle with plug located on vehicle side
(AC or DC power charging with communication)**

Figure 4e

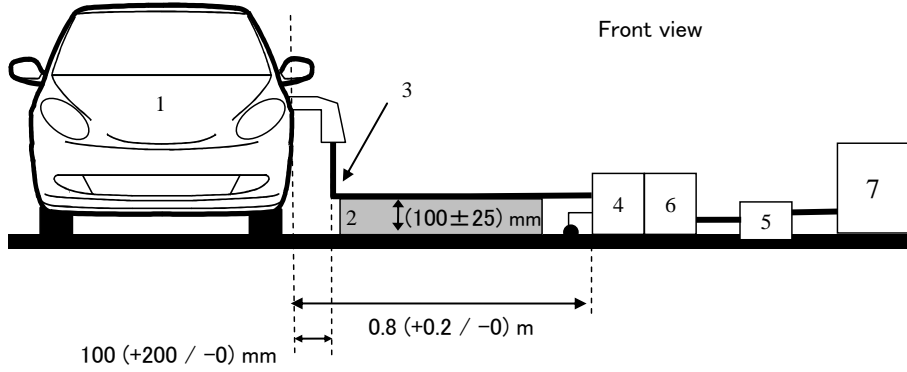
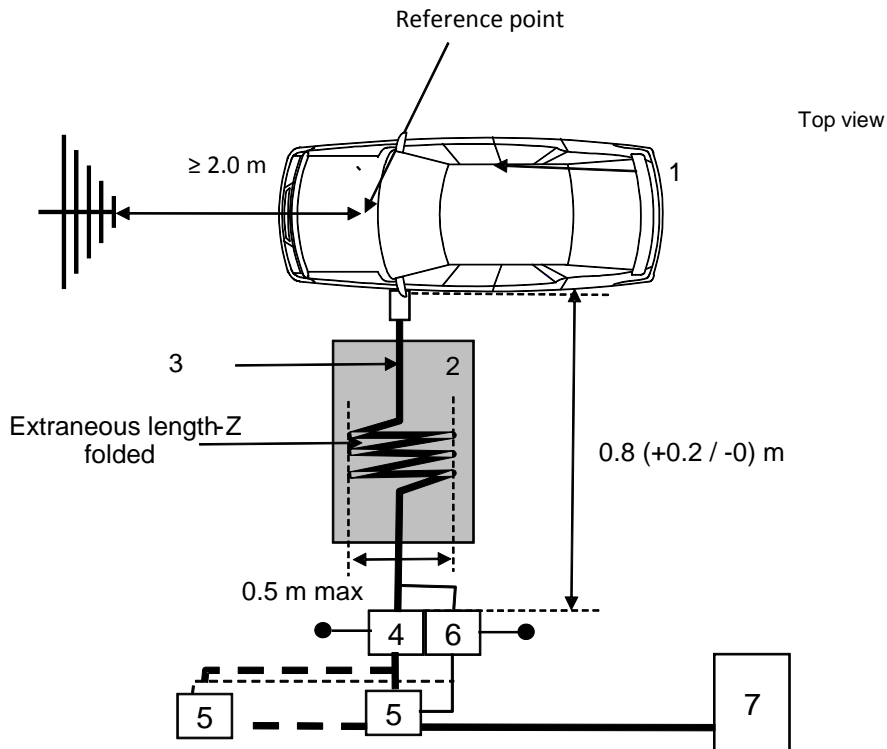


Figure 4f



Legend

- 1 Vehicle under test
- 2 Insulating support
- 3 Charging / communication cable
- 4 AC or DC Artificial Network(s) grounded
- 5 Power mains socket
- 6 Impedance Stabilisation(s) grounded
- 7 Charging Station

**Example of test set-up for vehicle with plug located front / rear of the vehicle
(AC or DC power charging with communication)**

Figure 4g

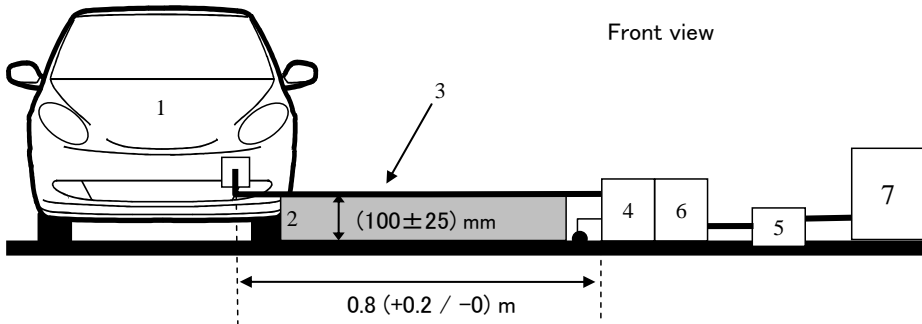
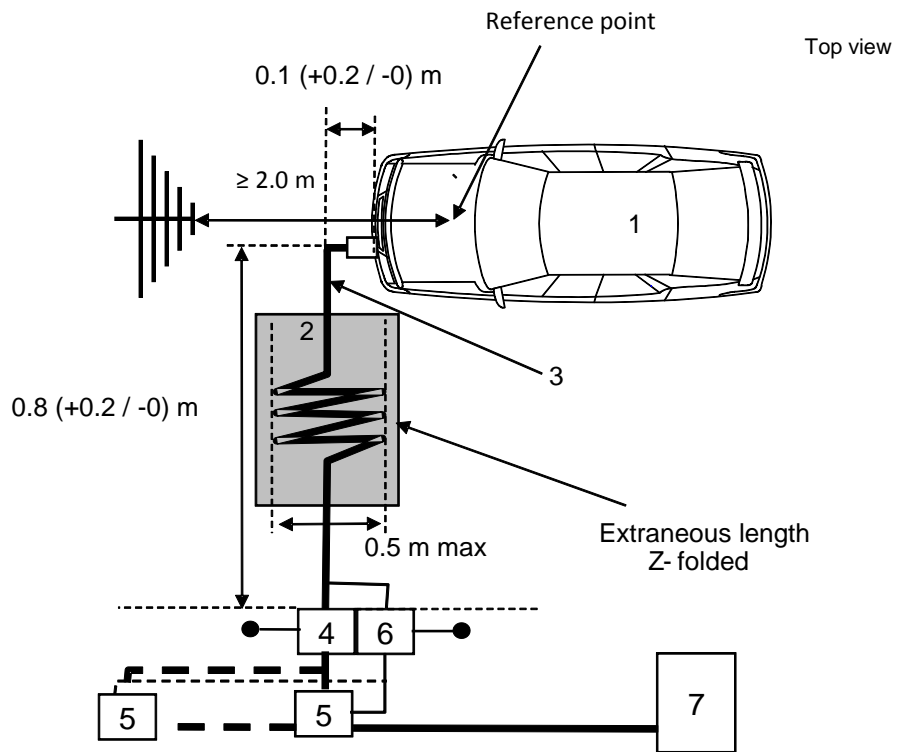


Figure 4h



Legend

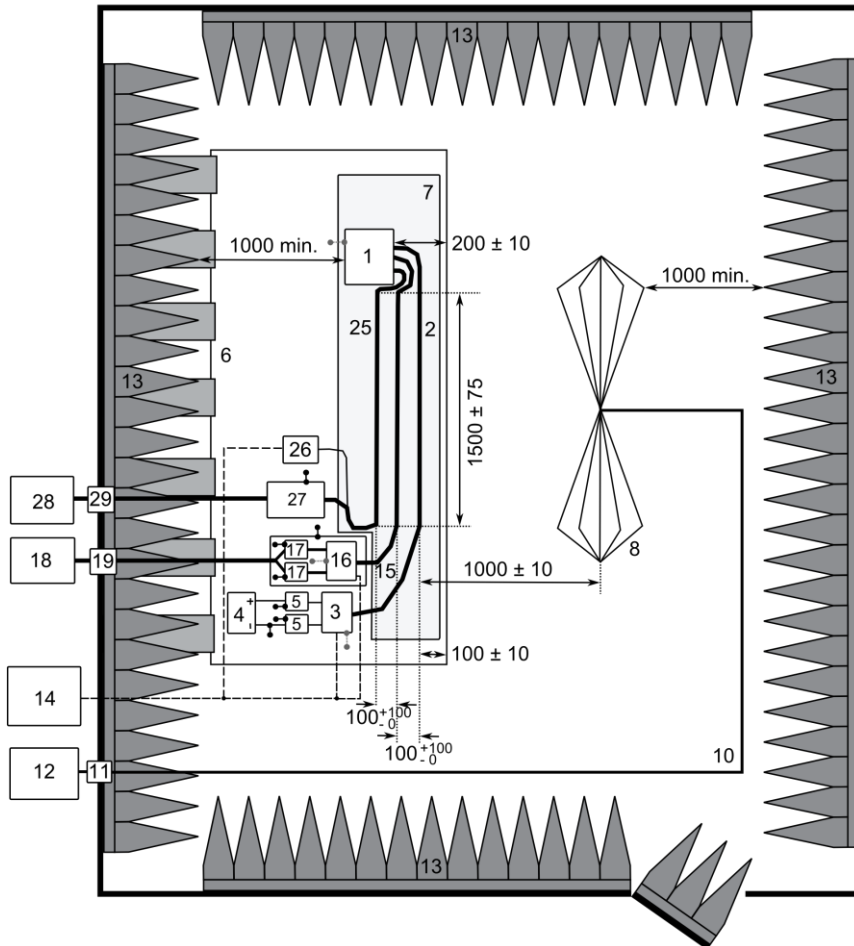
- 1 Vehicle under test
- 2 Insulating support
- 3 Charging / communication cable
- 4 AC or DC Artificial Network(s) grounded
- 5 Power mains socket
- 6 Impedance Stabilisation(s) grounded
- 7 Charging Station

Annex 7, Appendix, new Figure 2, correct to read

"Figure 2

Test configuration for ESAs involved in "REESS charging mode coupled to the power grid" (example for biconical antenna)

Top view (horizontal polarization)



Legend:

- | | |
|---|--------------------------------------|
| 1 ESA (grounded locally if required in test plan) | 11 Bulkhead connector |
| 2 LV Test harness | 12 Measuring instrument |
| 3 LV Load simulator (placement and ground connection according to CISPR 25 paragraph 6.4.2.5) | 13 RF absorber material |
| 4 Power supply (location optional) | 14 Stimulation and monitoring system |
| 5 LV Artificial network (AN) | 15 HV harness |
| 6 Ground plane (bonded to shielded enclosure) | 16 HV load simulator |
| 7 Low relative permittivity support ($\epsilon_r \leq 1.4$) | 17 HV AN |
| 8 Biconical antenna | 18 HV power supply |
| 10 High-quality coaxial cable e.g. double-shielded (50 Ω) | 19 HV feed-through |
| | 25 AC/DC charger harness |
| | 26 AC/DC load simulator (e.g. PLC) |
| | 27 50 μ H LISN (AC) or HVAN (DC) |
| | 28 AC/DC power supply |
| | 29 AC/DC feed-through |

Annex 11, Appendix 1, correct to read:

"Annex 11 – Appendix 1

Figure 1

Vehicle in configuration "REESS charging mode coupled to the power grid" – Single phase charger test set-up

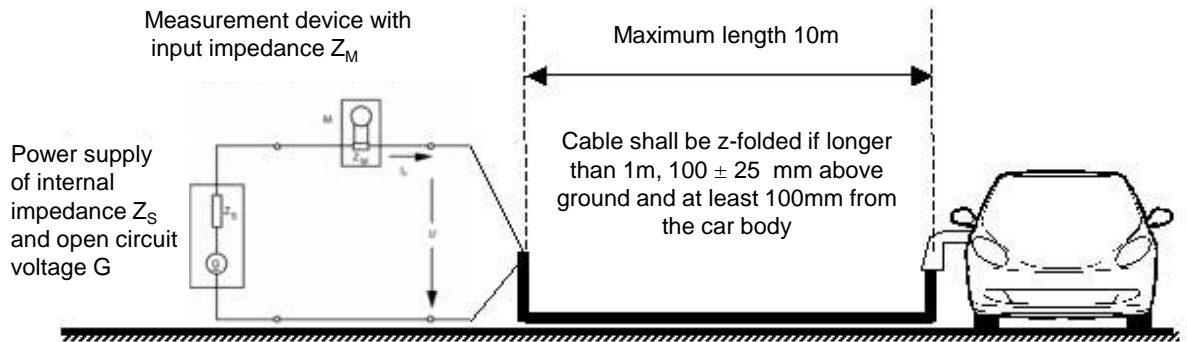
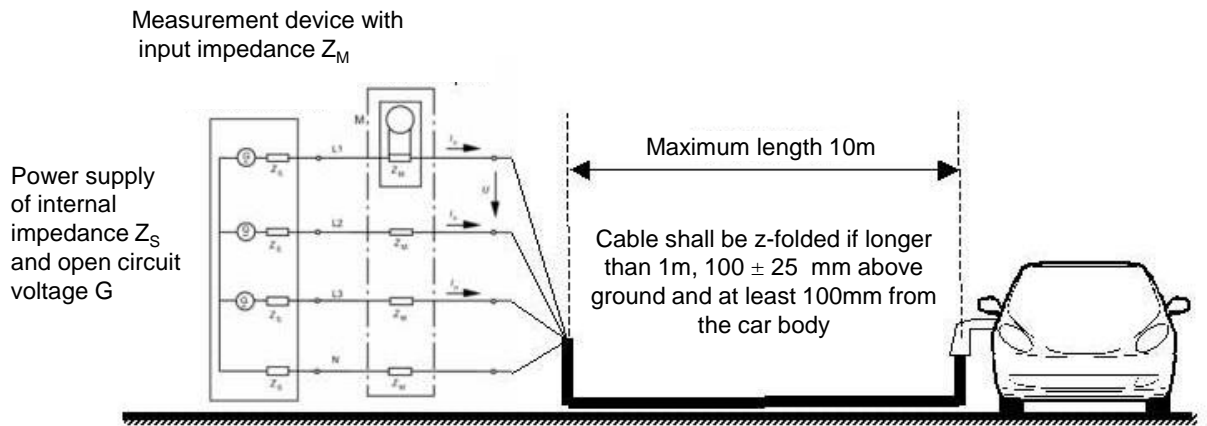


Figure 2

Vehicle in configuration "REESS charging mode coupled to the power grid" – Three-phase charger test set-up



Annex 12, Appendix 1, correct to read:

"Annex 12 – Appendix 1

Figure 1a

Vehicle in configuration "REESS charging mode coupled to the power grid" – Single phase test set-up

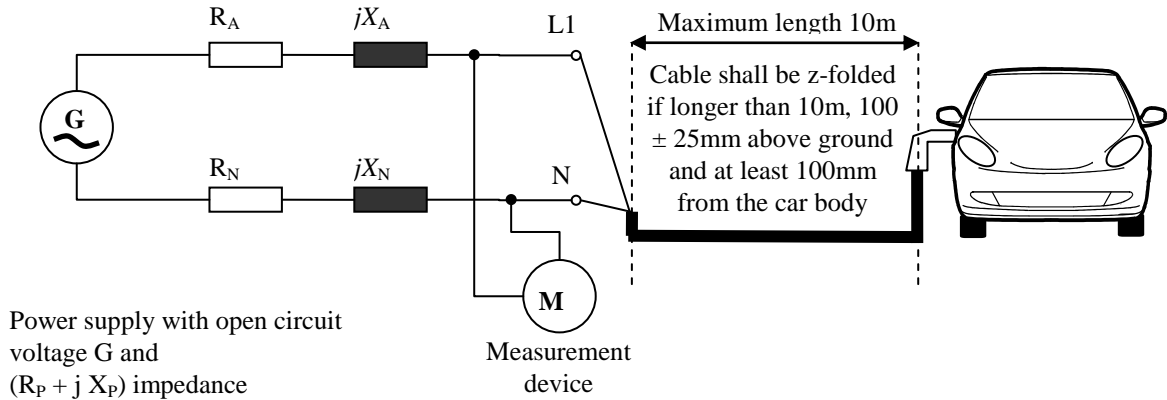
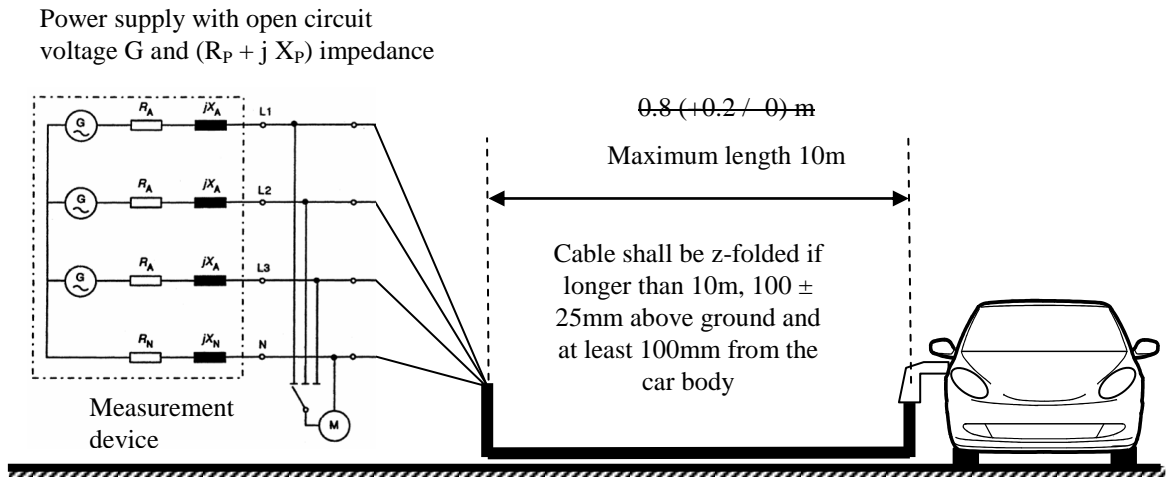


Figure 1b

Vehicle in configuration "REESS charging mode coupled to the power grid" – Three phase test set-up



Annex 13, Appendix 1, correct to read:

"Annex 13 – Appendix 1

Figure 1

Vehicle in configuration "REESS charging mode coupled to the power grid"

Example of test setup for vehicle with plug located on vehicle side (AC powered without communication)

Figure 1a

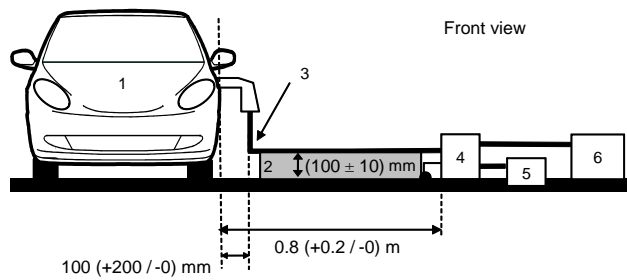
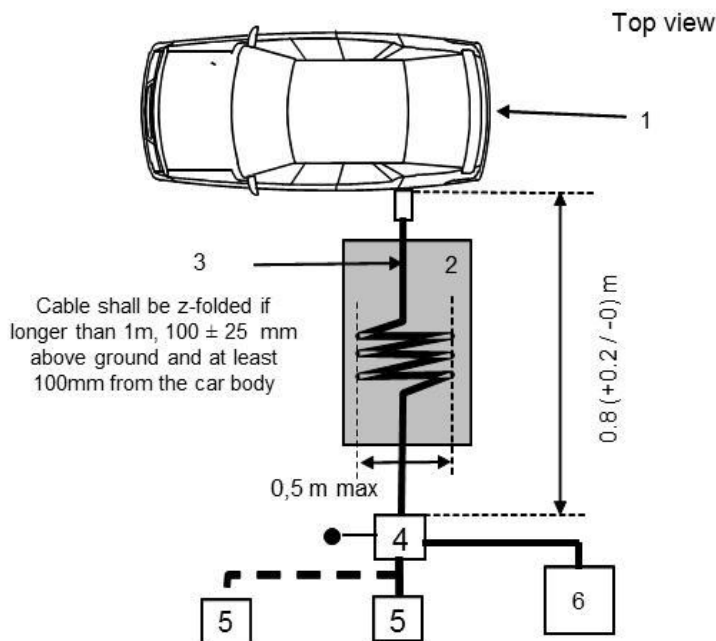


Figure 1b



Legend

- 1 Vehicle under test
- 2 Insulating support
- 3 Charging cable
- 4 Artificial Network(s) grounded (for AC or DC power lines)
- 5 Power mains socket
- 6 Measuring receiver

Vehicle in configuration "REESS charging mode coupled to the power grid"

Example of test setup for vehicle with plug located front / rear of vehicle
(AC powered without communication)

Figure 1c

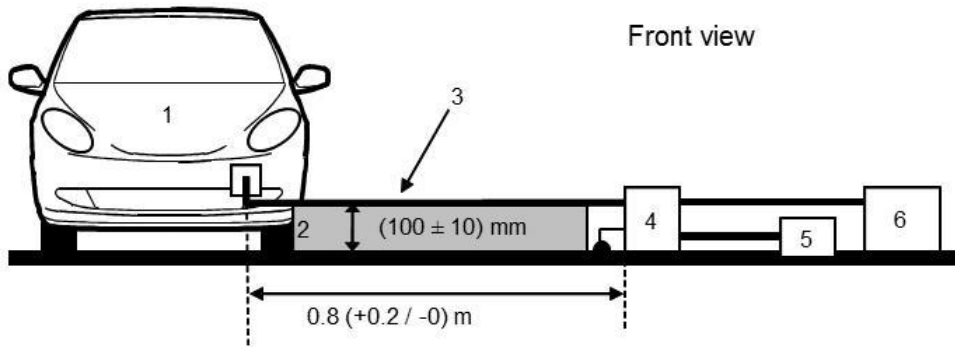
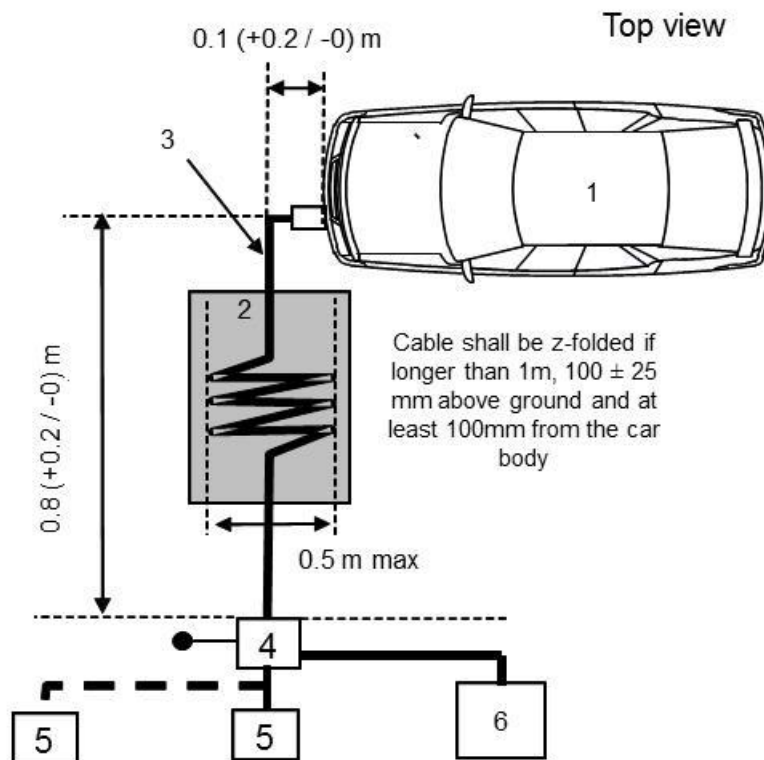


Figure 1d



Legend

- 1 Vehicle under test
- 2 Insulating support
- 3 Charging cable
- 4 Artificial Network(s) grounded (for AC or DC power lines)
- 5 Power mains socket
- 6 Measuring receiver

Annex 14, Appendix 1, correct to read:

"Annex 14 – Appendix 1

Figure 1

Vehicle in configuration "REESS charging mode coupled to the power grid"

Example of test setup for vehicle with plug located on vehicle side (AC or DC powered with communication)

Figure 1a

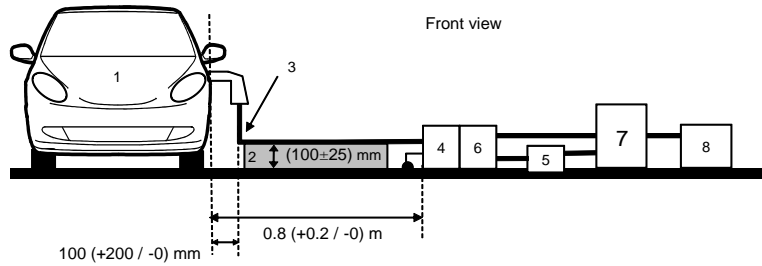
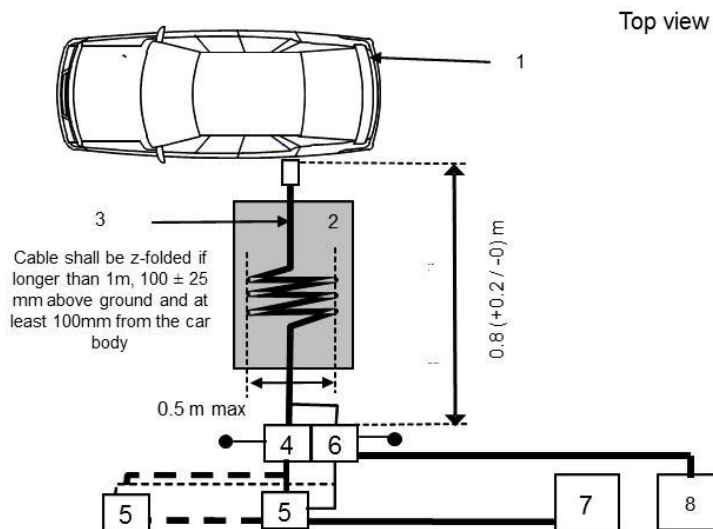


Figure 1b



Legend

- | | | | |
|---|--|---|---|
| 1 | Vehicle under test | 5 | Power mains socket |
| 2 | Insulating support | 6 | Impedance Stabilization(s) grounded (for communication lines) |
| 3 | Charging / communication cable | 7 | Charging Station |
| 4 | AC or DC Artificial Network(s) grounded (for AC or DC power lines) | 8 | Measuring receiver |

Vehicle in configuration "REESS charging mode coupled to the power grid"

Example of test set-up for vehicle with plug located front/rear of vehicle (AC or DC powered with communication)

Figure 1c

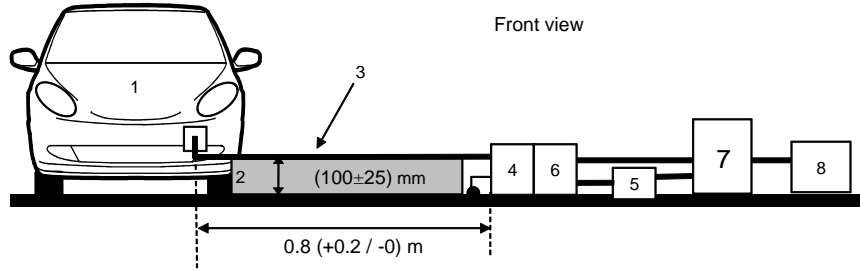
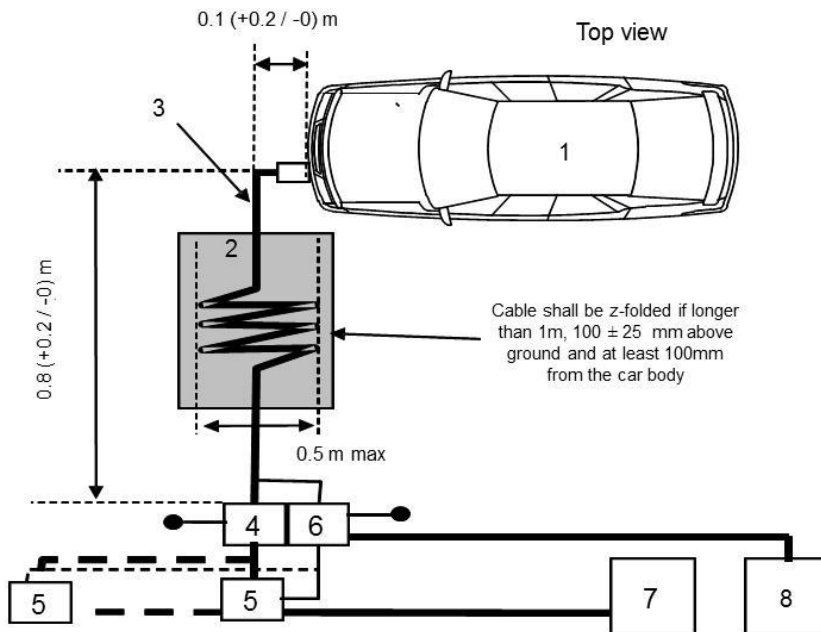


Figure 1d



Legend

- | | | | |
|---|--|---|---|
| 1 | Vehicle under test | 5 | Power mains socket |
| 2 | Insulating support | 6 | Impedance Stabilisation(s) grounded (for communication lines) |
| 3 | Charging / communication cable | 7 | Charging Station |
| 4 | AC or DC Artificial Network(s) grounded (for AC or DC power lines) | 8 | Measuring receiver |

Figure 2
Alternative measurement for vehicle in configuration "REESS charging mode coupled in the power grid"

Example of test setup for vehicle with plug located on vehicle side (AC or DC powered with communication)

Figure 2a

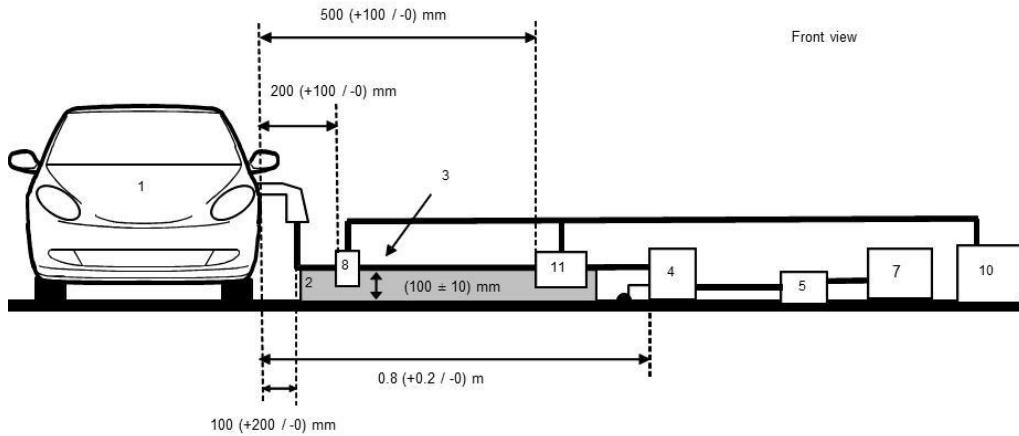
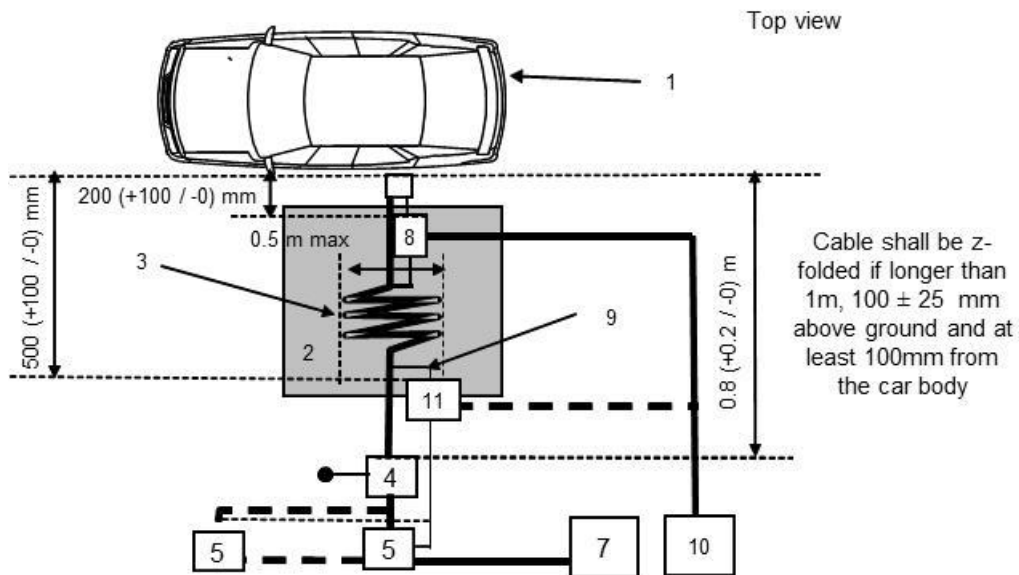


Figure 2b



Legend

- | | | | |
|---|--|----|--------------------------|
| 1 | Vehicle under test | 5 | Power mains socket |
| 2 | Insulating support | 7 | Charging Station |
| 3 | Charging / communication cable | 8 | Current probe |
| 4 | AC or DC Artificial Network(s) grounded (for AC or DC power lines) | 9 | Communication lines |
| | | 10 | Measuring receiver |
| | | 11 | Capacitive voltage probe |

Alternative measurement for vehicle in configuration "REESS charging mode coupled in the power grid"
Example of test setup for vehicle with plug located front / rear of vehicle (AC or DC powered with communication)

Figure 2c

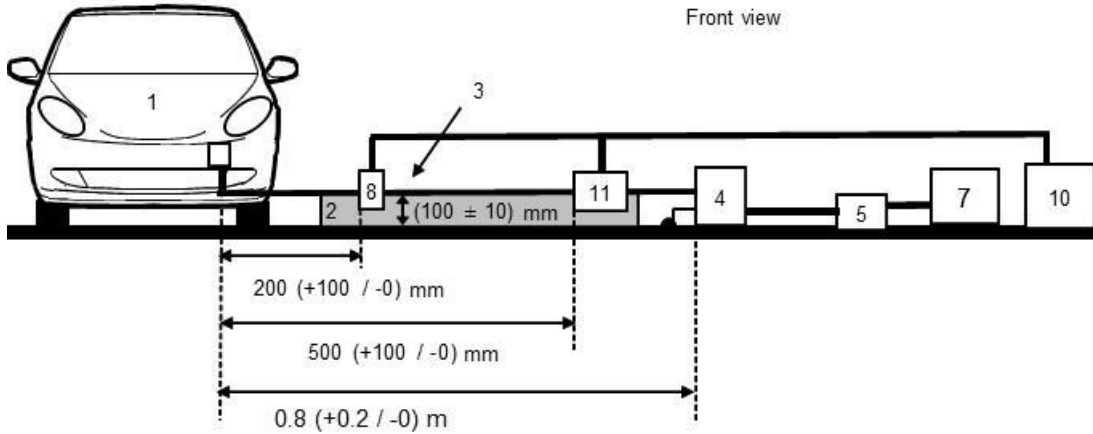
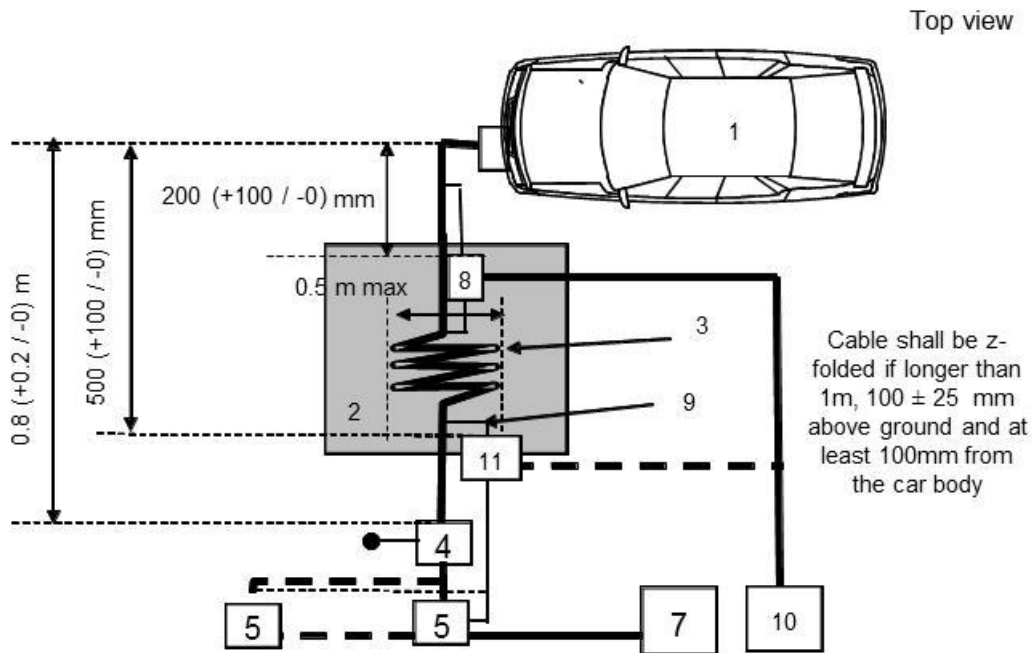


Figure 2d



Legend

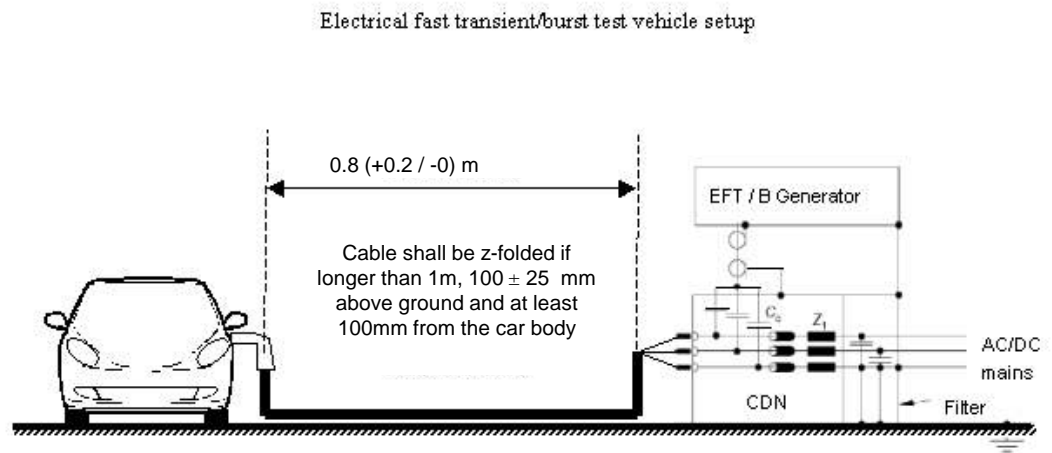
- | | | | |
|---|--|----|---|
| 1 | Vehicle under test | 5 | Power mains socket |
| 2 | Insulating support | 7 | Charging Station |
| 3 | Charging / communication cable | 8 | Current probe (or capacitive voltage probe) |
| 4 | AC or DC Artificial Network(s) grounded (for AC or DC power lines) | 9 | Communication lines |
| | | 10 | Measuring receiver |
| | | 11 | Capacitive voltage probe |

Annex 15, Appendix 1, correct to read:

"Annex 15 – Appendix 1

Figure 1

Vehicle in configuration "REESS charging mode" coupled to the power grid coupling on AC/DC power lines



"

Annex 16, Appendix 1, correct to read:

"Annex 16 – Appendix 1

Vehicle in configuration "REESS charging mode coupled to the power grid

Figure 1

Vehicle in configuration "REESS charging mode coupled to the power grid" – Coupling between lines for DC or AC (single phase) power lines

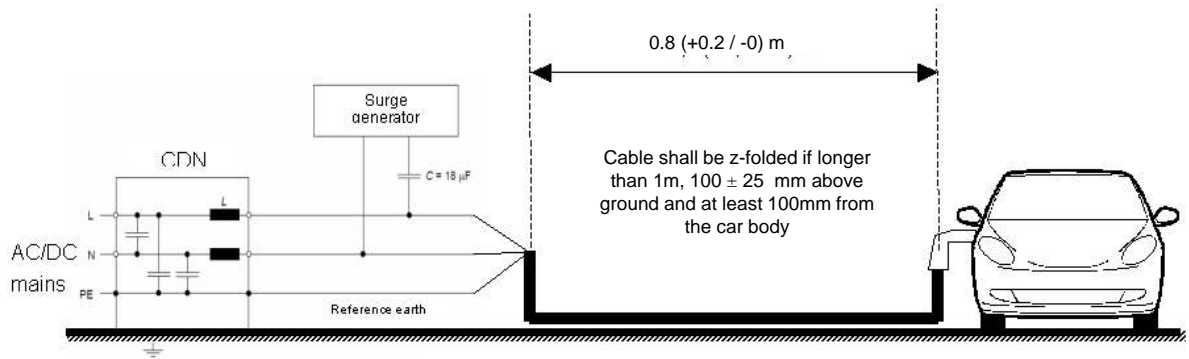


Figure 2

Vehicle in configuration "REESS charging mode coupled to the power grid" – Coupling between each line and earth for DC or AC (single phase) power lines

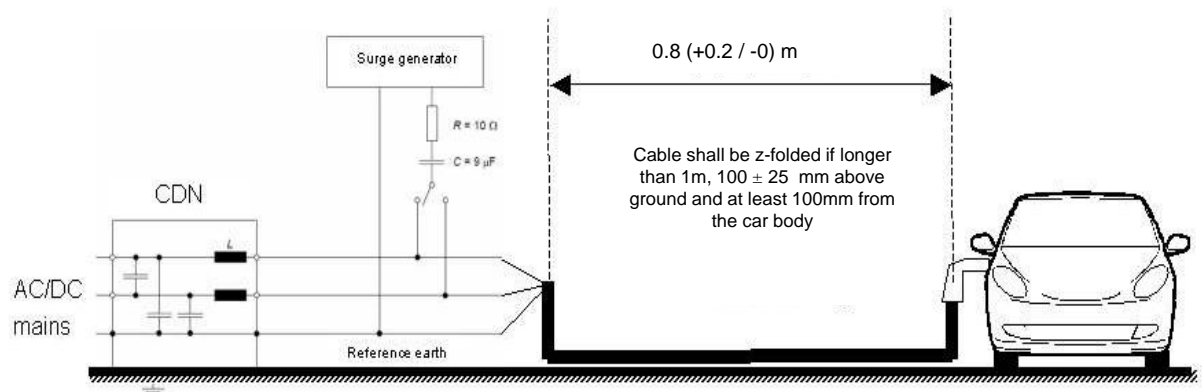


Figure 3
 Vehicle in configuration "REESS charging mode coupled to the power grid" – Coupling between lines for AC (three phases) power lines

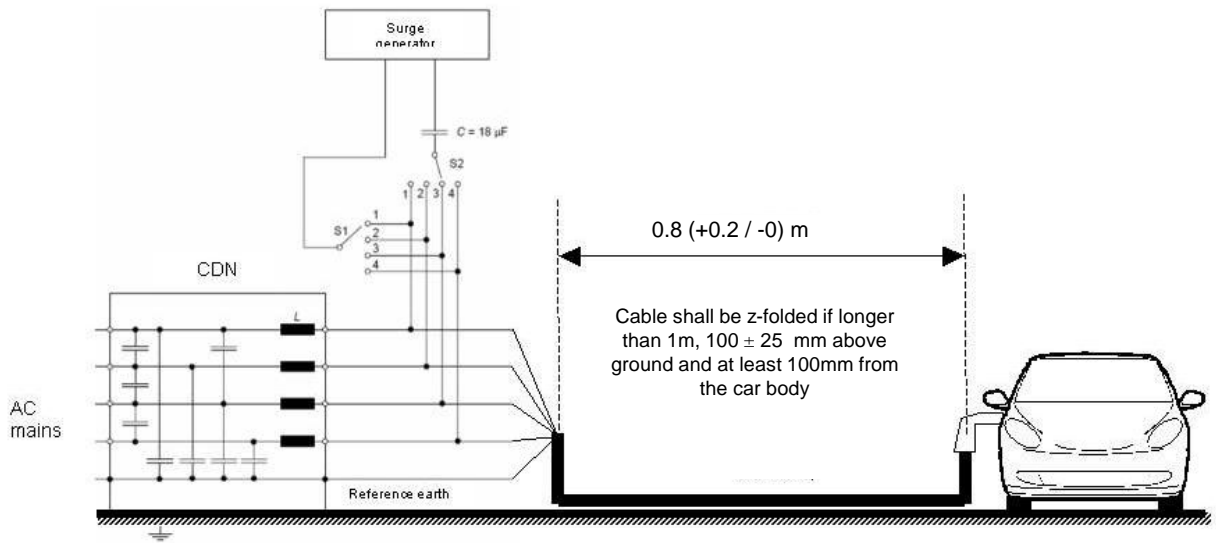
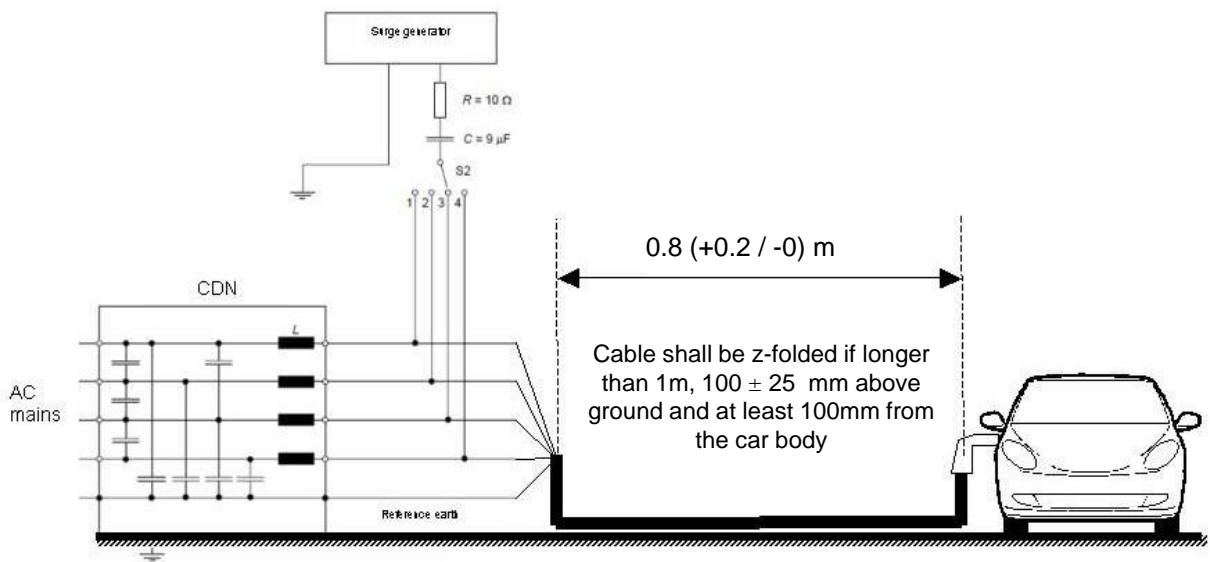


Figure 4
 Vehicle in configuration "REESS charging mode coupled to the power grid" – Coupling between each line and earth for AC (three phases) power lines



Annex 17, Appendix 1, correct to read:

"Annex 17 – Appendix 1

Figure 1

ESA in configuration "REESS charging mode coupled to the power grid" – Single phase test set-up

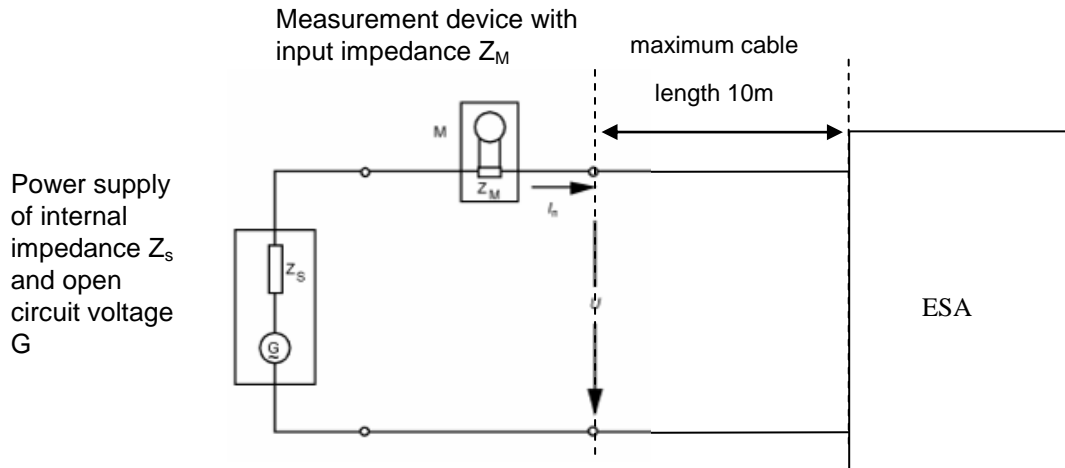
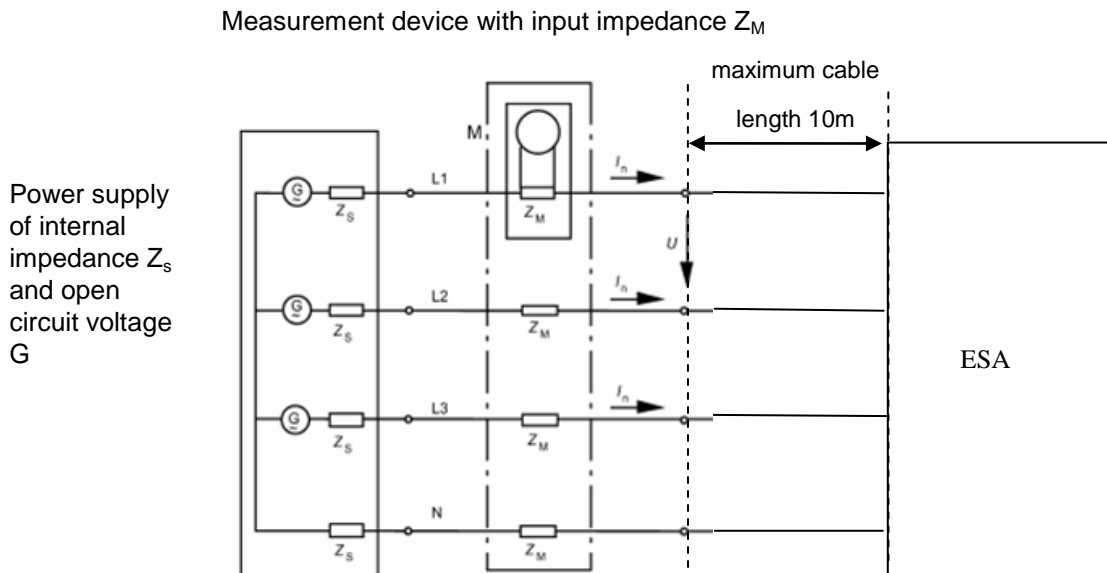


Figure 2

ESA in configuration "REESS charging mode coupled to the power grid" –Three-phase-test set-up



Annex 18, Appendix 1, correct to read:

"Annex 18 – Appendix 1

Figure 1a

ESA in configuration "REESS charging mode coupled to the power grid"- Single phase test set-up

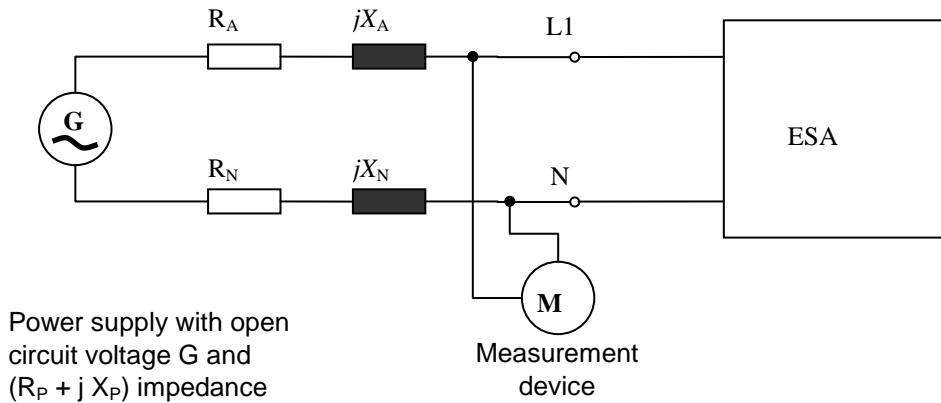
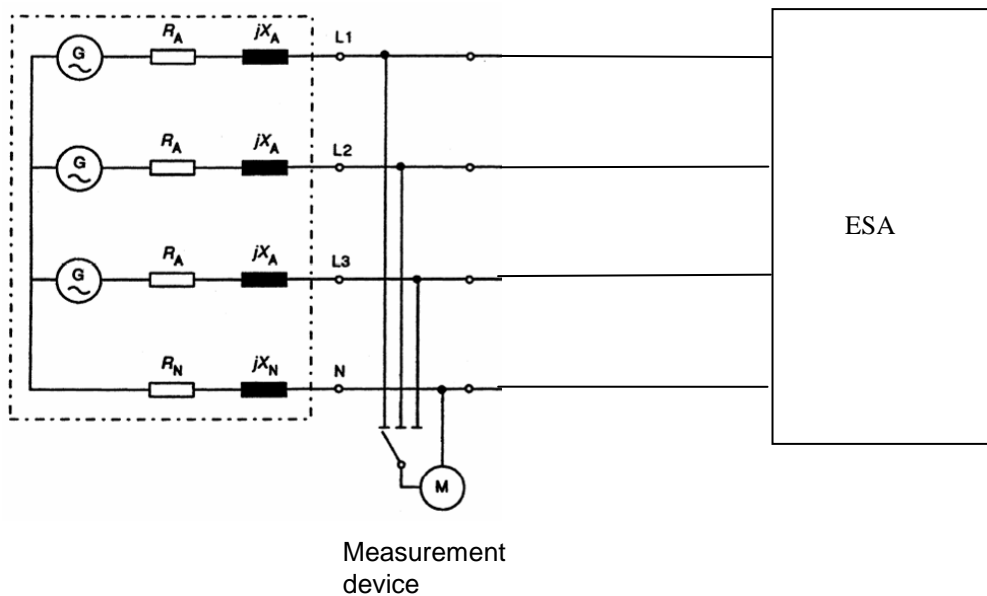


Figure 1b

ESA in configuration "REESS charging mode coupled to the power grid" - Three-phase test set-up

Power supply with open circuit voltage G and $(R_P + j X_P)$ impedance

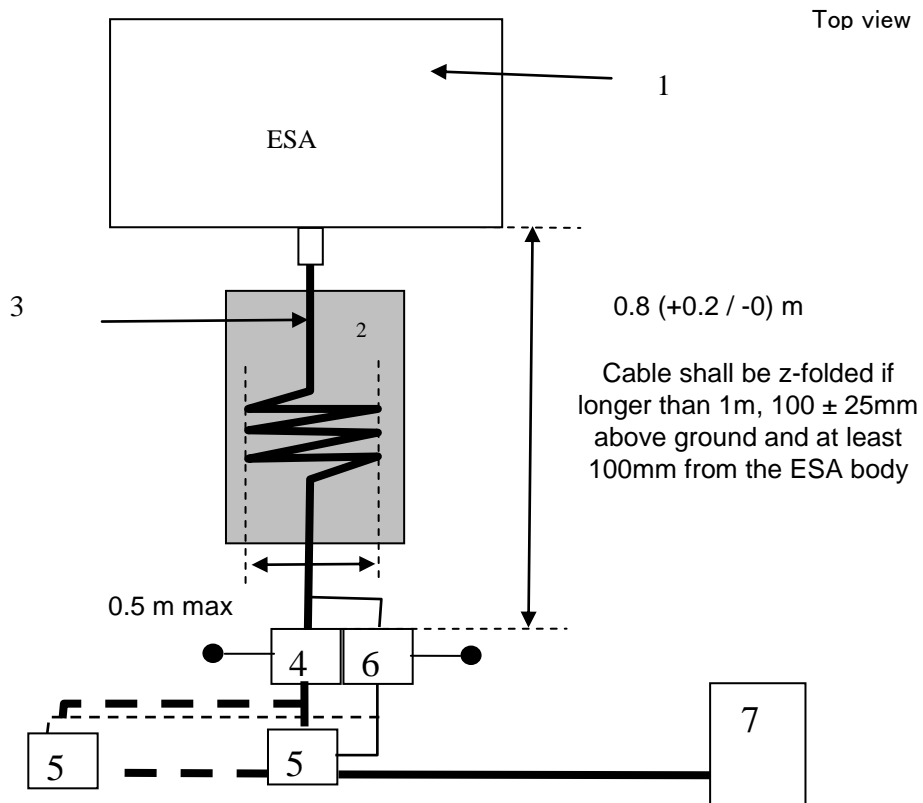


Annex 20, Appendix 1, correct to read:

"Annex 20 – Appendix 1

Figure 1

ESA in configuration "REESS charging mode coupled to the power grid"



Legend

- 1 ESA under test
- 2 Insulating support
- 3 Charging / communication cable
- 4 AC or DC Artificial Network(s) grounded
- 5 Power mains socket
- 6 Impedance Stabilization(s) grounded
- 7 Charging Station

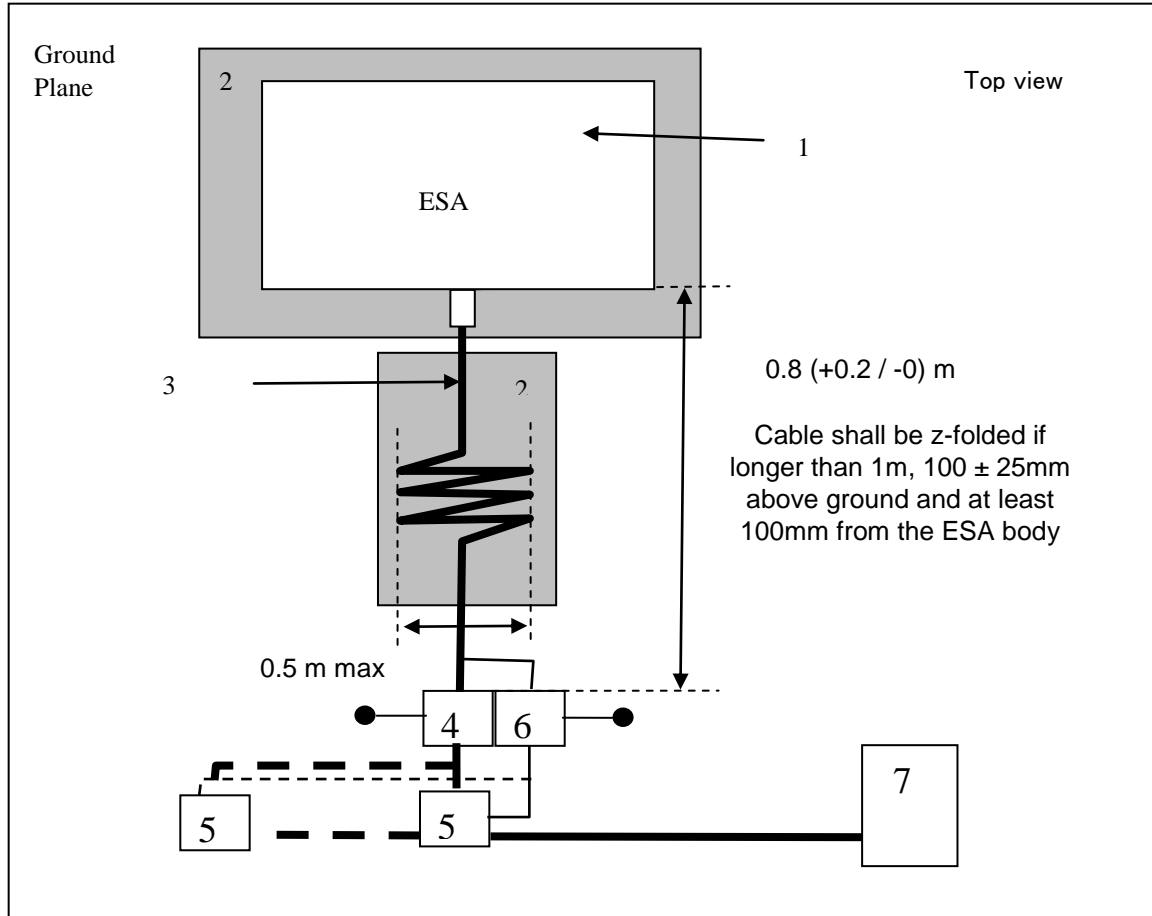
"

Annex 21, Appendix 1, correct to read:

"Annex 21 – Appendix 1

Figure 1

ESA in configuration "REESS charging mode coupled to the power grid



"

II. Justification

1. Some corrections are proposed by the secretariat and OICA to clarify the proposal.
