

# Proposal how to structure the RESS safety requirements

12-14 April 2011

RESS-4-14

## Color-code:

- Red = RESS-3-7 Vibration Draft JP Proposal  
+ Further comment (in dotted box) / proposal (with yellow marker)
- Green = Remarks or amendments by the secretary
- Purple = Remarks from TÜV and BMW under § 3.7
- Blue = Remarks from France

## Contents

1. Scope .....	- 3 -
2. Definitions .....	- 3 -
3.1 Vibration.....	- 7 -
3.1.1 Rationale .....	- 7 -
3.1.2 Requirement.....	- 7 -
3.1.3 Verification .....	- 12 -
3.2 Thermal Shock and Cycling .....	- 13 -
3.2.1 Rationale .....	- 13 -
3.2.2 Requirement.....	- 13 -
3.2.3 Verification .....	- 14 -
3.3 [Dewing (temperature change).....	- 15 -
3.3.1 Rationale .....	- 15 -
3.3.2 Requirement.....	- 15 -
3.3.3 Verification].....	- 15 -
3.4 Mechanical impact .....	- 16 -
3.4.1 Mechanical Shock.....	- 16 -
3.4.2 Mechanical integrity .....	- 21 -
3.5 Fire Resistance.....	- 24 -
3.5.1 Rationale .....	- 24 -
3.5.2 Requirement.....	- 24 -
3.5.3 Verification .....	- 27 -
3.6 External Short Circuit .....	- 28 -
3.6.1 Rationale .....	- 28 -
3.6.2 Requirement.....	- 28 -
3.6.3 Verification .....	- 30 -
3.7 Overcharge Protection (ISO 12405-1).....	- 31 -
3.7.1 Rationale .....	- 31 -
3.7.2 Requirement.....	- 31 -
3.7.3 Verification .....	- 32 -
3.8 Over-discharge Protection .....	- 33 -
3.8.1 Rationale .....	- 33 -
3.8.2 Requirement.....	- 33 -
3.8.3 Verification .....	- 34 -
3.9 Over-temperature Protection .....	- 35 -
3.9.1 Rationale .....	- 35 -
3.9.2 Requirement.....	- 35 -
3.9.3 Verification .....	- 36 -
3.10 Protection against direct contact (related to R100) .....	- 37 -
3.10.1 Rationale .....	- 37 -

# Proposal how to structure the RESS safety requirements

12-14 April 2011

RESS-4-14

<b>3.11</b>	<b>Emission</b> .....	- 38 -
<b>3.11.1</b>	<b>Rationale</b> .....	- 38 -
<b>3.11.2</b>	<b>Requirement</b> .....	- 38 -
<b>3.11.3</b>	<b>Verification</b> .....	- 38 -
<b>Annex 1: Measurement of isolation resistance</b> .....		- 39 -
<b>Annex 2: DIMENSIONS AND TECHNICAL DATA OF FIREBRICKS</b> .....		- 43 -
<b>B)</b>	<b>Additional Requirements?</b> .....	- 44 -
<b>Immersion Test (RESS complete under water)</b> .....		- 44 -
<b>[Dust]</b> .....		- 44 -
<b>Marking</b> .....		- 44 -
<b>EMC</b> .....		- 44 -

# Proposal how to structure the RESS safety requirements

12-14 April 2011

RESS-4-14

## 1. SCOPE

The following prescriptions apply to safety requirements with respect to the Rechargeable Energy Storage Systems [RESS] of road vehicles of categories M and N, equipped with one or more traction motor(s) operated by electric power and not permanently connected to the grid.

<JASIC Comment>

As suggested in RESS-2-3, the group should;

- (1) at first, focus on Li-Ion rechargeable batteries to develop the technical requirement, and then
- (2) examine applicability to other types of RESS considering the difference of the chemical characteristics.

## 2. DEFINITIONS

### Remarks from Korea:

In some case of RESS, the tests proposed in the proposal may be hard to carry out due to the dimensions of a RESS.

If the RESS is installed in a regular bus, the RESS may be too big to handle in the test lab.

A new term represents the typical part of the RESS should be considered.

- 2.1 "Rechargeable energy storage system [RESS]" means the rechargeable energy storage system that provides electric energy for electric propulsion. ~~The [RESS] includes a completely functional energy storage system consisting of the [pack(s)] and necessary ancillary subsystems for physical support, thermal management, electronic control and enclosures.~~

<JASIC Comment>

The second sentence should be deleted or modified to avoid misinterpretation. Necessity and status of such subsystems shall be adequately prescribed for each test procedure. If the use of a subsystem is a condition to satisfy the requirement, such subsystem should be considered as a part of RESS to be approved.

If any additional description is considered as necessary, the following sentence is suggested:

*"The RESS may consist of the battery module(s) or any other means to store electric energy and necessary ancillary subsystems for physical support, thermal management, electronic control as well as their enclosure."*

"Rechargeable energy storage system (RESS)" means a system providing rechargeable electric energy based on electro-chemical processes for vehicle propulsion.

The RESS includes cells, modules and/or packs. Furthermore, the necessary ancillary subsystems for physical support thermal management, electronic control and enclosures and enclosures are included in the RESS.

# Proposal how to structure the RESS safety requirements

12-14 April 2011

RESS-4-14

**"RESS-Pack"** means an energy storage device that includes cells or modules normally connected with cell electronics, voltage class B circuit and over-current shut-off device including electrical interconnections, interfaces for external systems( s(e.g. cooling, voltage class B, auxiliary voltage

- 2.2 "Cell" means a single encased electrochemical unit (one positive and one negative electrode) which exhibits a voltage differential across its two terminals.

**"RESS-Cell"** means a single encased electrochemical unit containing one positive and one negative electrode which exhibits a voltage differential across its two terminals.

- 2.3 "Lithium ion cell" means a rechargeable electrochemical cell whose electrical energy is derived from the insertion/extraction reactions of lithium ions between the anode and the cathode.

- 2.4 "Battery" or "**Battery module**" means two or more cells which are electrically connected together fitted with devices necessary for use, for example, case, terminals, marking and protective devices.

<JASIC Comment>

"Battery module" can be defined here. It is better to use "battery module" rather than "module".

**"RESS-Module"** means an assembly of electrically connected cells with a mechanical supporting structure. In most cases, a serial electrical connection of cells will be applied. A module could contain further functionalities (or their parts) of the RESS as e.g. parts of the cooling system and/or first level cell electronics, but not the battery control unit. In a RESS, one or more modules could be used.

- 2.5 "Battery enclosure" means the physical housing surrounding **[RESS] components, particularly** cells or **[cell assemblies] battery modules**.

- 2.6 "Explosion" means very fast release of energy sufficient to cause pressure waves and/or projectiles that may cause considerable structural and/or bodily damage.

- 2.7 "Fire" means the emission of flames from a battery enclosure that may spread to the other part of the vehicle. Sparks are not flames.

- [2.8 "Cell rupture" means the mechanical failure of a cell container induced by an internal or external cause, resulting in exposure or spillage but not ejection of solid materials.] **Remark: not used for the moment in the text**

## Proposal how to structure the RESS safety requirements

12-14 April 2011

RESS-4-14

- [2.9 "Battery enclosure rupture" means openings through the battery enclosure which are created or enlarged by an event and which are sufficiently large for a 50 mm diameter sphere to contact battery system internal components (see ISO20653, IPXXA).]
- 2.10 "Working voltage" means the highest value of an electrical circuit voltage root mean square (rms), specified by the manufacturer or determined by measurement, which may occur between any conductive parts in open circuit conditions or under normal operating condition. If the electrical circuit is divided by galvanic isolation, the working voltage is defined for each divided circuit, respectively.
- 2.11 "High Voltage" means the classification of an electric component or circuit, if it's working voltage is  $> 60 \text{ V}$  and  $\leq 1500 \text{ V DC}$  or  $> 30 \text{ V}$  and  $\leq 1000 \text{ V AC}$  root mean square (rms).
- [2.12 Nominal voltage is the voltage given by the supplier as the recommended operating voltage of their battery system] **Remark: not used for the moment in the text**

~~2.13 "Module" means.....~~

<JASIC Comment>

The definition of module is included into paragraph 2.4.

# Proposal how to structure the RESS safety requirements

12-14 April 2011

RESS-4-14

2.14 “Undefined venting” means .... Undefined visible venting means

<JASIC Comment>

This definition is unnecessary as it is not appropriate to adopt as the criteria for this regulation.

2.15 “Closed chemical process” means

<JASIC Comment>

Need to consider whether this definition is necessary or not.

2.16 “SOC” means available capacity in a battery pack or system expressed as a percentage of rated capacity

# Proposal how to structure the RESS safety requirements

12-14 April 2011

RESS-4-14

## A) Technical Requirements Priority Requirements

### 3.1 Vibration

<JASIC Comment>

To be discussed based on RESS-3-7.

#### 3.1.1 Rationale

~~Simulates a vibration environment which a [battery system] will likely experience during the lifetime of the vehicle. Vibration of the vehicle-body is random vibration induced by rough-road-driving as well as internal vibration of the power train. This test checks the [RESS] for specific malfunctions and breakage caused by this vibration.~~

The purpose of this test is to verify the safety performance of a the [RESS] (or a sub-assembly of [RESS]) under a vibration environment which the RESS will likely experience during the lifetime of the vehicle.

UN 38.3 vibration profile is not representative of [battery system] that will likely experience during the lifetime of the vehicle. Random vibration according to ISO 16750-3 (IEC 68-2-4) is better relevant. So, we propose to keep the test taken from ISO 12405.

#### 3.1.2 Requirement

##### 3.1.2.1 Conditions

The following test can be conducted with the complete [RESS] or, at the discretion of the manufacturer, with [module(s) of the RESS] the battery module(s) and related subsystems (module-based test).

If the manufacturer chose the module-based test, the manufacturer shall demonstrate such test result can reasonably represent the performance of the complete RESS with respect to the safety performance under similar condition.

For the purpose of this test, the devices of the [RESS] subject to the vibration test shall be referred to as DUT (Device Under Test). DUT shall be firmly secured to the platform of the vibration machine in such a manner as to faithfully transmit the vibration. If certain electronic management unit for [RESS] is not integrated, such control unit may not be installed on DUT.

~~[If tests are performed on [module basis], evidence shall be provided that the results are representative for [RESS].]~~

~~Due to the big mass of this [RESS] the maximum test frequency is limited to 200 Hz, but the vibration test shall be performed in sequence in all three spatial directions.~~

~~Adjust the State of Charge (SOC) with discharge to [50 %] before starting the vibration test profile.~~

Adjust the State of Charge (SOC) to a minimum 50 % before starting the vibration test profile.

# Proposal how to structure the RESS safety requirements

12-14 April 2011

RESS-4-14

## 3.1.2.2. State of charge-Preconditioning of DUT [RESS]

The state of charge (SOC) of DUT shall be at the maximum which is possible during normal vehicle operation. After the adjustment of SOC, the DUT shall be stored under the temperature of  $25^{\circ}\text{C} \pm 5^{\circ}\text{C}$  for more than 8 hours or until the temperature measured on DUT becomes stable within  $25^{\circ}\text{C} \pm 5^{\circ}\text{C}$  prior to initiation of the vibration.

The test shall be performed according

- to [IEC 60068-2-64], see Tables 1 to 4 or
- to a test profile determined by the vehicle manufacturer, verified to the vehicle application and agreed by the Technical Service.

The [RESS] shall be mounted on a shaker test bench in a way that the load application is equivalent to the mounting in the vehicle.

The [module(s)] shall be mounted on a shaker test bench in a way that the load application is equivalent to each mounting position (tolerance to be defined) in the [RESS].

## 2.1. Installation of [RESS] for the test

For the purpose of this, the devices of [RESS] (or [sub-assembly(ies)] of [RESS]) subject to the vibration test shall be referred to as DUT (Device Under Test). DUT shall be firmly secured to the platform of the vibration machine in such a manner as to faithfully transmit the vibration. If certain electronic management unit for [RESS] is not integrated, such control unit may not be installed on DUT.

With only one test device the vibration test shall be performed in a sequence of all three spatial directions

- vertical direction (Z),
- transverse direction (Y) and
- longitudinal direction (X).

a) [The mechanical stresses acting on the [RESS] are specified by a stochastic acceleration – time function with test duration per spatial direction of 21 h. The test duration per spatial direction can be reduced to 15 h if the test procedure is performed with two identical [RESS] or to 12 h if the test procedure is performed with three identical [RESS], respectively.]

b) [The test duration per spatial direction is 12 h.]

For longitudinal direction (X) see table 1, for transverse direction (Y) see table 2 or 3 and vertical direction (Z) see table 4.

[If the [RESS] is designed for a vehicle mounting position below the vehicle passenger compartment, then the reduced spectrum PSD<sub>horizontal transverse\_YPassenger\_compartment\_bottom</sub> according to Table 3 shall be used.]

Table 1

Values for PSD<sub>horizontal\_longitudinal\_X</sub>



# Proposal how to structure the RESS safety requirements

12-14 April 2011

RESS-4-14

Frequency [Hz]	PSD [g <sup>2</sup> /Hz]	PSD [(m/s <sup>2</sup> ) <sup>2</sup> /Hz]
5	0,0125	1,20
10	0,03	2,89
20	0,03	2,89
200	0,00025	0,02
RMS	0,96 g	9,42 m/s <sup>2</sup>

Table 2 — Values for PSD\_horizontal\_transvers\_Y

Frequency [Hz]	PSD [g <sup>2</sup> /Hz]	PSD [(m/s <sup>2</sup> ) <sup>2</sup> /Hz]
5	0,04	3,85
20	0,04	3,85
200	0,0008	0,08
RMS	1,23 g	12,07 m/s <sup>2</sup>

Table 3 — Values for PSD\_horizontal\_transvers\_Y<sub>Passenger\_compartment\_bottom</sub>

Frequency [Hz]	PSD [g <sup>2</sup> /Hz]	PSD [(m/s <sup>2</sup> ) <sup>2</sup> /Hz]
5	0,01	0,96
10	0,015	1,44
20	0,015	1,44
50	0,01	0,96
200	0,0004	0,04
RMS	0,95 g	9,32 m/s <sup>2</sup>

Table 4 — Values for PSD\_vertical\_Z

Frequency [Hz]	PSD [g <sup>2</sup> /Hz]	PSD [(m/s <sup>2</sup> ) <sup>2</sup> /Hz]
5	0,05	4,81
10	0,06	5,77
20	0,06	5,77
200	0,0008	0,08
RMS	1,44 g	14,13 m/s <sup>2</sup>

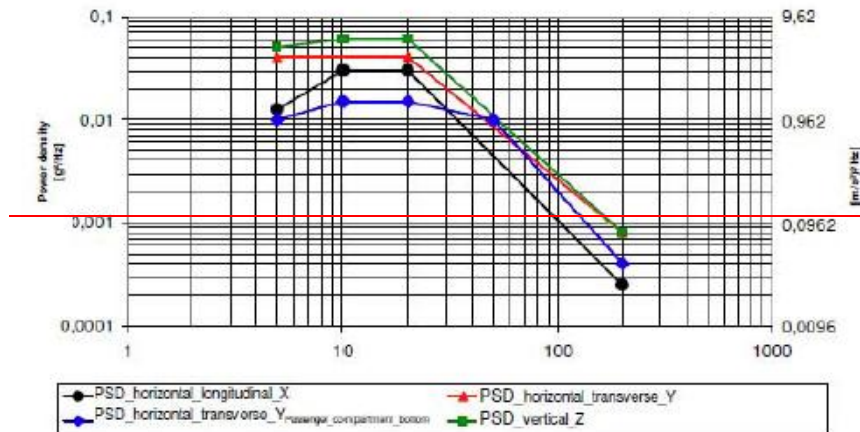
Figure 5 shows the interpolation between the data-points of tables 1 to 4.

Figure 5 — PSD spectra for sprung masses (masses mounted on vehicle body)

# Proposal how to structure the RESS safety requirements

12-14 April 2011

RESS-4-14



The following control parameters shall be ensured:

- Delta frequency  $1,25 \pm 0,25$  Hz

{- Inner range of tolerance  $\pm 3$  dB (warning level)}

- Outer range of tolerance  $\pm 6$  dB (shut-down level)}

### 3.1.2.3. Vibration

The vibration shall be a sinusoidal waveform with a logarithmic sweep between 7 Hz and 200 Hz and back to 7 Hz traversed in 15 minutes. This cycle shall be repeated 12 times for a total of 3 hours for each of three mutually perpendicular mounting positions of the [cell]. One of the directions of vibration must be perpendicular to the terminal face.

The logarithmic frequency sweep shall differ for DUT with a gross mass of not more than 12 kg (small DUT), and for DUT with a gross mass of 12 kg and greater (large DUT).

For small DUT: from 7 Hz a peak acceleration of  $1 g_n$  is maintained until 18 Hz is reached. The amplitude is then maintained at 0.8 mm (1.6 mm total excursion) and the frequency increased until a peak acceleration of  $8 g_n$  occurs (approximately 50 Hz). A peak acceleration of  $8 g_n$  is then maintained until the frequency is increased to 200 Hz.

For large DUT: from 7 Hz to a peak acceleration of  $1 g_n$  is maintained until 18 Hz is reached. The amplitude is then maintained at 0.8 mm (1.6 mm total excursion) and the frequency increased until a peak acceleration of  $2 g_n$  occurs (approximately 25 Hz). A peak acceleration of  $2 g_n$  is then maintained until the frequency is increased to 200 Hz.

### ~~2.3. Vibration~~

~~The vibration shall be a sinusoidal waveform with a logarithmic sweep between 7 Hz and 200 Hz and back to 7 Hz traversed in 15 minutes. This cycle shall be repeated 12 times for a total of 3 hours for each of three mutually perpendicular mounting positions of the [cell]. One of the directions of vibration must be perpendicular to the terminal face.~~

~~The logarithmic frequency sweep shall differ for DUT with a gross mass of not more than 12 kg (small DUT), and for DUT with a gross mass of 12 kg and greater (large DUT).~~

# Proposal how to structure the RESS safety requirements

12-14 April 2011

RESS-4-14

~~———— For small DUT: from 7 Hz a peak acceleration of 1 g<sub>n</sub> is maintained until 18 Hz is reached. The amplitude is then maintained at 0.8 mm (1.6 mm total excursion) and the frequency increased until a peak acceleration of 8 g<sub>n</sub> occurs (approximately 50 Hz). A peak acceleration of 8 g<sub>n</sub> is then maintained until the frequency is increased to 200 Hz.~~

~~———— For large DUT: from 7 Hz to a peak acceleration of 1 g<sub>n</sub> is maintained until 18 Hz is reached. The amplitude is then maintained at 0.8 mm (1.6 mm total excursion) and the frequency increased until a peak acceleration of 2 g<sub>n</sub> occurs (approximately 25 Hz). A peak acceleration of 2 g<sub>n</sub> is then maintained until the frequency is increased to 200 Hz.~~

~~At the end of the vibration test the isolation resistance has to be measured.~~

### 3.1.2.4. Records

Open circuit voltage of DUT shall be measured prior to initiation of vibration and after the vibration test.

Isolation measurement shall be done in accordance with annex 1-ISO 6469-1:2009, Section 6.1.3; or according to 3.1.3 or equivalent prior to initiation of vibration and after the vibration test.

### 3.1.2.52 Acceptance criteria based on [RESS]

~~During the test, including [1] h after the test, the [RESS battery system] shall exhibit no evidence of~~

- ~~a) — undefined venting~~
- ~~b) — battery enclosure rupture~~
- ~~c) — fire~~
- ~~d) — explosion.~~
- e) electrolyte leakage

The charge and discharge function shall be functional.

~~For [RESS] using high voltage the isolation resistance measured at the end of the test shall maintain high voltage to ground isolation no less than 100 Ω/Volt.~~

Remark: In R 100, if high voltage DC and AC buses are galvanically connected, the isolation resistance shall be not less than 500 Ω/Volt. If the RESS is dedicated to a vehicle where there is no galvanical connection in between DC and AC high voltage buses, the isolation resistance cannot be less than 100 Ω/Volt, otherwise it shall be 500 Ω/Volt.

This comment has to be included in all paragraphs concerned.

### 3.1.2.3 Acceptance criteria based on [modules]

~~During the test, including [1] h after the test, the [battery system] shall exhibit no evidence~~

- ~~a) — of undefined visible venting~~
- ~~b) — battery enclosure rupture (no degradation of protection degree)~~
- ~~c) — fire~~
- ~~d) — explosion.~~
- e) electrolyte leakage

## Proposal how to structure the RESS safety requirements

12-14 April 2011

RESS-4-14

During the test, the [RESS] (or the sub-assembly of RESS) shall exhibit no evidence of battery enclosure rupture, fire or explosion,

~~For [RESS] using high voltage the isolation resistance measured at the end of the test shall maintain no degradation of high voltage to ground isolation as defined by the battery manufacturer.~~

and shall maintain high voltage to ground isolation no less than 100  $\Omega$ /volt. Post-test open circuit voltage shall be no less than 90% of the pre-test open circuit voltage.

### 3.1.3 Verification

~~The evidence of battery enclosure rupture, fire or explosion a) to e) of 3.1.2.2 & 3.1.2.3 shall be checked by visual inspection.~~

The isolation resistance shall be measured according to Annex 1.

## 3.2 Thermal Shock and Cycling

### 3.2.1 Rationale

Thermal shock cycling is performed to determine the resistance of the [RESS] to sudden changes in temperature. The [RESS] undergo a specified number of temperature cycles, which start at Room Temperature (RT) followed by high and low temperature cycling. It simulates a rapid environmental temperature change which a [battery system] will likely experience during its life.

~~<JASIC Comment>~~

~~All lithium-ion cells and batteries must satisfy the T2 test of UN Manuals of Tests and Criteria, Section 38.3, which requires thermal cycling between -40°C and +75°C (+72°C from next amendment). In order to reduce the administrative burden and duplicated test, procedure to utilize the results obtained from UN T3 tests should be considered.~~

### 3.2.2 Requirement

#### 3.2.2.1 Conditions

~~The state of charge (SOC) of [RESS] DUT shall be [at least 50 % or more] the maximum which is possible during normal vehicle operation.~~

[RESS] shall be stored for at least six hours at a test temperature equal to at a minimum of 70°C, followed by storage for at least six hours ~~[twelve]~~ at a test temperature equal at to or less than - 38°C. The maximum time interval between test temperature extremes is 30 minutes. This procedure is to be repeated at least 5 times, after which the [RESS] shall be stored for 24 hours at ambient temperature (20 ± 5 °C).

~~Remark: Depending of the RESS or pack dimensions, six hours is not sufficient to reach the heart of the RESS or the battery pack. We propose to extend to 12 hours.~~

#### ~~2.2. State of charge of~~

[Direct after Thermal Shock and Cycling a standard charging has to be conducted if not inhibited by the [RESS]].

#### ~~3.1. Records~~

~~Open circuit voltage of DUT shall be measured prior to initiation of thermal Shock and Cycling and after the vibration thermal Shock and Cycling test. Isolation measurement shall be done in accordance with annex1 ISO 6469-1, Section 6.1.3 or according to 3.2.3 ; or equivalent prior to initiation of thermal Shock and Cycling vibration and after the vibration test.~~

#### **[3.2.2.2 Acceptance criteria**

During the test, including 1 h after the test, the [battery system] shall exhibit no evidence of

- a) undefined visible venting
- b) battery enclosure rupture (no degradation of protection degree)
- c) fire
- d) explosion

## e) electrolyte leakage.

=> OICA proposal based on RESS level

For this test, IPXXA is not sufficient taking into account testing conditions. IPXXB should be required?

For [RESS] using high voltage the isolation resistance measured at the end of the test shall maintain high voltage to ground isolation no less than 100  $\Omega$ /Volt.]

### **3.2.3 Verification**

a) to d) of 3.1.2.2 shall be checked by visual inspection.

The isolation resistance shall be measured according to Annex 1

**3.3 [Dewing (temperature change)]**

**3.3.1 Rationale**

<JASIC Comment>

Specific test and requirement for dewing is NOT necessary for the RESS regulation.

*Justification:*

The suggested testing under temperature/humidity environment may cause the following phenomena:

- a) Reduction of isolation resistance of high voltage circuit.
- b) Weak short circuit current between the terminals.

The phenomena mentioned above have already covered by existing regulation or would not cause any critical situation.

a) Isolation resistance is already required by ECE R100 that includes the protection against electric shock even under failure mode.

b) The electrical path caused by the dew condensation will disappear in a relatively short period by the electrolyses or vaporization of the water and it will not be sufficient to cause a fire.

**3.3.2 Requirement**

**3.3.2.1 Conditions**

**3.3.2.2 Acceptance criteria**

**3.3.3 Verification]**

### 3.4 Mechanical impact

#### Remark from Korea:

#### §3. 4 Mechanical Impacts

The proposal suggests that the RESS be subject to pre-described acceleration

If this test is carried out, the RESS shall be on the sled. In that case, it is not know what will happen to the RESS. Of course, the manufacture may know what will happen based on his experience. However, there is a slim chance of fire or explosion. Thus it may be dangerous to carry out this sled test in the confined area.

A drop test in an open space, equivalent to the pre-describe acceleration, should be considered as an alternative or replacement.

<JASIC Comment>

The equivalency of such test procedure should be confirmed. There are some concern about the repeatability and reproducibility of the test procedure due to the environmental conditions (temperature, wind, etc.) and characteristics of the ground surface.

#### 3.4.1 Mechanical Shock

##### 3.4.1.1 Rationale

Simulates inertial loads which may occur during vehicle crash situation to [RESS].

##### 3.4.1.2 Requirement

###### 3.4.1.2.1 Conditions

For the longitudinal and lateral vehicle direction, one of the conditions described in 3.4.1.2.1.1 or 3.4.1.2.1.2 shall be applied.

###### 3.4.1.2.1.1 Vehicle based test

[RESS] installed in a vehicle of category [M1, M2, N1 and N2] that undergoes a vehicle crash test according to ECE-R12 Annex 3 or ECE-R 94 Annex 3 shall meet the acceptance criteria under 3.4.1.2.2.

This test is equivalent to the test conditions described in table 5 in 3.4.1.2.1.2.

[RESS] installed in a vehicle of category [M1, M2, N1 and N2] that undergoes a vehicle crash test according to ECE-R95 Annex 4 shall meet the acceptance criteria under 3.4.1.2.2.

This test is equivalent to the test conditions described in table 6 in 3.4.1.2.1.2.

The approval of the [RESS] tested under this condition is limited to the installation in the specific vehicle type.

###### 3.4.1.2.1.2 Component based test

[A complete [RESS] is to be tested for this condition. However, if conducting this test on a [RESS] is deemed inappropriate due to size or weight, this test may be conducted utilizing subsystem(s) including respective battery module(s) pack(s), provided that all portions of the [battery module(s) of the RESS system] are evaluated. If tests are performed on [pack-subsystem] basis], evidence shall be provided that the results are representative for [RESS].]



# Proposal how to structure the RESS safety requirements

12-14 April 2011

RESS-4-14

~~[Pack(s)] have to be identified:~~

- ~~• For which vehicle category they are designed~~
- ~~• For which installation direction they are designed~~

~~<JASIC Comment>~~

~~If the component approval scheme can be established, the administrative provisions to correlate the component approval and the vehicle system approval should be prescribed in the general part of the regulation.~~

~~Adjust the State of Charge (SOC) to a minimum 50 % before starting the impact test profile.~~

~~The [RESS] shall be at any state of charge, which allows the normal operation of the power train as recommended by the manufacturer.~~

~~The complete [RESS or pack(s)] shall be applied to the shock levels described in Table 5 and 6 in both positive and negative directions.~~

~~<JASIC Comment>~~

~~Reason to adjust the Soc at 50% or more should be explained.~~

~~R12/R94/R95 prescribe as below;~~

~~"The RESS shall be at any state of charge, which allows the normal operation of the power train as recommended by the manufacturer."~~

For every of the 4 evaluation conditions, a separate [RESS or subsystem(s) pack(s)] can be used. The [RESS or subsystem(s) pack(s)] shall be connected to the test fixture only by the intended mounting methods.

Table 5 – Shock levels in direction of travel

	Acceleration
[RESS] fitted vehicles of categories M1 and N1	20g
[RESS] fitted vehicles of categories M2 and N2	10g
[RESS] fitted vehicles of categories M3 and N3	6.6g

Table 6 – Shock levels horizontally perpendicular to the direction of travel

	Acceleration
[RESS] fitted vehicles of categories M1 and N1	8g
[RESS] fitted vehicles of categories M2 and N2	5g
[RESS] fitted vehicles of categories M3 and N3	5g

~~The characteristic shock curve shall meet one of the following two alternatives:~~

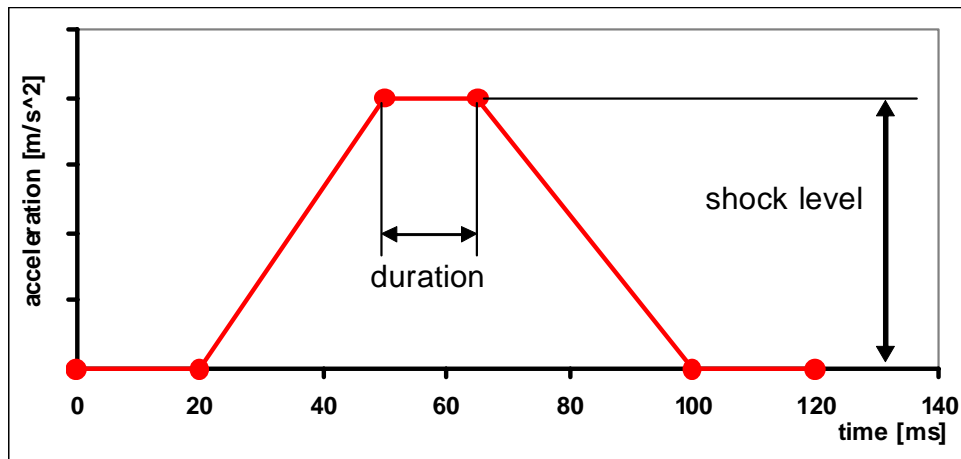
- ~~a) The test pulse shall circumscribe the minimum shock pulse described in diagram 1. The pulse shall start between 0ms and 20ms; the end of the pulse shall be between 100ms and 120ms. The duration of the shock level shall be at least 15ms.~~

# Proposal how to structure the RESS safety requirements

12-14 April 2011

RESS-4-14

Diagram 1 – minimum shock pulse



## Remark:

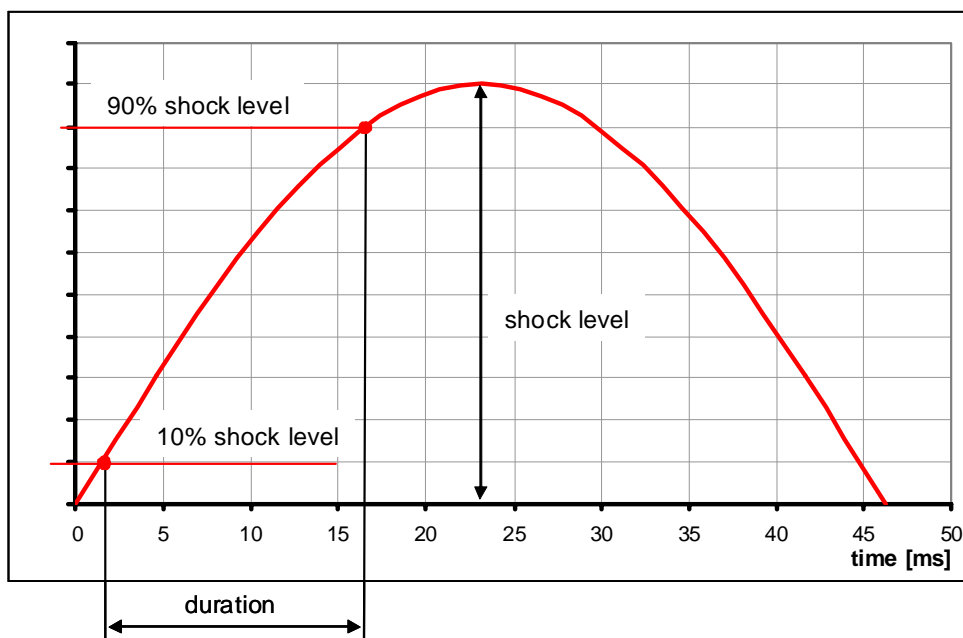
Frontal impact: the R 17 corridor should be incorporated in the diagram 1 (upper limit). As it is said in the test protocol § 3.4 in RESS 3-3, the test undergoes by the device can be performed via the R94 on the vehicle. So at least, the device pulse has to be equivalent to the vehicle pulse. The R17 corridor is a frontal impact R12 simulation in order to validate seat entities. The same philosophy is applied for example to the CRS in R44 with a stronger requirement (fixed rise time).

So, we think the half sinus proposed does not totally cover the need and we think the R17 corridor is more representative and relevant solution for this RESS test. Therefore, a half sinus included in the R17 corridor would be also acceptable.

Lateral impact: We propose to use the same pulse taken from R 17 with a lower test levels and a lower duration. At this time, we need more time to define exactly the signals characteristics.

- b) The test pulse shall describe a half sinus with duration of 15ms between 10% and 90% of the shock level.

Diagram 2 – sinus shock pulse



<JASIC Comment>

Pulse a) and b) are not considered as equivalent and pulse b) will be difficult to achieve at lower shock level.

### 3.1. Records

Open circuit voltage of DUT shall be measured prior to initiation of impact test . Isolation measurement shall be done in accordance with annex1 ISO 6469-4, Se; or equivalent prior to initiation of impact test. ]

#### 3.4.1.2.2 Acceptance criteria

During the test, including 16 h after the test, the [RESS or pack(s)] shall exhibit no evidence of

- ~~a) undefined visible venting~~
- ~~b1) [RESS] enclosure rupture (protection degree not less than IPXXB)~~
- ~~b2) [Pack(s)] enclosure ruptures (no degradation of protection degree against direct contact)~~
- c) fire
- d) explosion.
- e) electrolyte leakage ?

~~The [RESS or pack(s)] shall be retained at its mounting locations and components shall remain inside its boundaries.~~

<JASIC Comment>

The observation period should be based on a uniform philosophy throughout this regulation.

“Undefined visible venting” is not defined and would not be appropriate as a minimum safety requirement.

“Battery enclosure rupture” is difficult to assess in the vehicle test without removing the battery from the vehicle while the battery may be damaged during the removal. R12/R94/R95 requires protection against electrical shock and therefore if the vehicle test is chosen, battery enclosure rupture should not be required.

The requirement for the RESS retention can not be properly assessed in the component based test, while in the vehicle test, R12/R94/R95 have the same requirement.

For the vehicles out of scope of R12/R94/R95, certain provisions to ensure the proper installation of RESS should be established.

For [RESS] using high voltage the isolation resistance measured at the end of the test shall maintain high voltage to ground isolation no less than 100 Ω/Volt.

#### 3.4.1.3 Verification Method

~~The evidence of fire or explosion a) to d) of 3.4.1.2.2~~ shall be checked by visual inspection.

# Proposal how to structure the RESS safety requirements

12-14 April 2011

RESS-4-14

## 3.4.2 Mechanical integrity

### 3.4.2.1 Rationale

Simulates contact loads which may occur during vehicle crash situation to [RESS].

### 3.4.2.2 Requirement

~~This test is not applied to the RESS intended to be use at a position higher than [800 mm] from the ground when measured at the bottom surface of the RESS or at a position protected by the vehicle body structure.~~

<JASIG Comment>

~~This test should only be required if the RESS is to be installed in the location where the direct contact load from external object is likely happens.  
800 mm is the top height of MDB used for R95 test.~~

### 3.4.2.2.1 Conditions

The test applies only to [RESS] intended to be installed in vehicles of category M1 and N1.

~~One of the conditions described in 3.4.2.2.1.1 or 3.4.2.2.1.2 shall be applied.~~

<JASIG Comment>

~~There is no reason to exclude larger vehicles from this requirement except when installed as above.~~

### 3.4.2.2.1.1 Vehicle based test

[RESS] installed in a vehicle that undergoes a vehicle crash test according to ECE-R12 Annex 3 or ECE-R 94 Annex 3 shall meet the acceptance criteria under 3.4.2.2.2.

~~Optionally, test described under 3.4.2.2.1.2 can be conducted with the mechanical load according to ECE-R12 Annex 3 or ECE-R94 Annex 3. The mechanical load shall be determined by the vehicle manufacturer using test or simulation data and agreed by the Technical Service.~~

[RESS] installed in a vehicle that undergoes a vehicle crash test according to ECE-R95 Annex 4 shall meet the acceptance criteria under 3.4.2.2.2.

~~Optionally, test described under 3.4.2.2.1.2 can be conducted with the mechanical load according to ECE-R95 Annex 4. The mechanical load shall be determined by the vehicle manufacturer using test or simulation data and agreed by the Technical Service.~~

The approval of the [RESS] tested under this condition is limited to the installation in the specific vehicle type.

### 3.4.2.2.1.2 Component based test

~~Adjust the State of Charge (SOC) to a minimum of 50 % before starting the mechanical integrity test profile.~~

# Proposal how to structure the RESS safety requirements

12-14 April 2011

RESS-4-14

The [RESS] shall be at any state of charge, which allows the normal operation of the power train as recommended by the manufacturer.

<JASIC Comment>

Reason to adjust the Soc at 50% or more should be explained.

R12/R94/R95 prescribe as below;

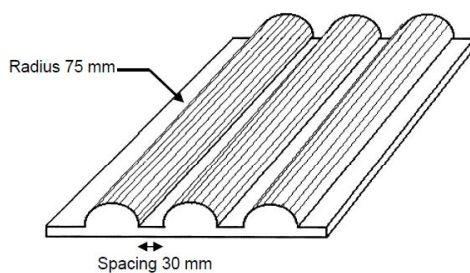
*“The RESS shall be at any state of charge, which allows the normal operation of the power train as recommended by the manufacturer.”*

Crush a [RESS or pack(s)] between a resistance and a crush plate described in figure 7 with a force of [100 kN] in [X seconds; how fast] during [Y seconds; how long] => **action item for German working group**

direction of travel and horizontally perpendicular to the direction of travel of the [RESS].

[Optionally, this test can be conducted with the mechanical load according to ECE-R12 Annex 3 or ECE R94 Annex 3 in the direction of travel and with the mechanical load according to ECE R95 Annex 4 in the direction horizontally perpendicular to the direction of travel. The mechanical load shall be determined by the vehicle manufacturer using test or simulation data and agreed by the Technical Service.]

Figure 7:



[Dimension of the crush plate:

600 mm x 600 mm

Orientation of the crush plate:

~~decision of battery manufacturer~~ The orientation shall be agreed by the manufacturer and the Technical Service.

Position of the crush plate:

The position shall be agreed by the manufacturer and the Technical Service.]

~~To better precise the crush plate position with a drawing.~~

### ~~3.1. Records~~

~~Open circuit voltage of DUT shall be measured prior to initiation of crush test.~~

~~Isolation measurement shall be done in accordance with annex1 ISO 6469-1, Se; or equivalent prior to initiation of crush test.~~

<JASIC Comment>

For large-sized batteries having relatively short height, it will be difficult to conduct this test in practice.

### 3.4.2.2.2 Acceptance criteria

## Proposal how to structure the RESS safety requirements

12-14 April 2011

RESS-4-14

During the test, including [1] h after the test, the [battery system] shall exhibit no evidence

~~a) of undefined visible venting~~

~~b) battery enclosure rupture (no degradation of protection degree)~~

c) fire

d) explosion.

<JASIC Comment>

The criteria should be made under the same philosophy as mechanical impact test.  
For the vehicles out of scope of R12/R94/R95, certain provisions to ensure the proper installation of RESS should be established.

Remark: introduced a criteria on the quantity of gas and to see also the definition,  
b) deleted because enclosure rupture is highly possible. Is it the concern?

For [RESS] using high voltage the isolation resistance measured at the end of the test shall maintain high voltage to ground isolation no less than 100  $\Omega$ /Volt.

### 3.4.2.3 Verification

a) to d) of 3.4.1.2.2. shall be checked by visual inspection.

## 3.5 Fire Resistance

### 3.5.1 Rationale

Simulates exposure of [RESS] to fire from the outside of the vehicle due to e.g. a fuel spill from a vehicle (either the vehicle itself or a nearby vehicle). This situation should leave the driver and passengers with enough time to evacuate and no explosion should occur in a later stage.

### 3.5.2 Requirement

The test is required for [RESS] to be placed at a level less than 1.5 m above ground. The test is carried out on one item. ~~as compared to R34 Annex 5 where 3 items are required.~~

#### 3.5.2.1 Conditions

~~3.5.2.1.1. The state of charge (SOC) of [RESS] shall be at the maximum which is possible during normal vehicle operation.~~

The [RESS] shall be at any state of charge, which allows the normal operation of the power train as recommended by the manufacturer.

~~If for some reason another SOC would pose a higher risk then this SOC should be used.~~

~~3.5.2.1.2. The [RESS] shall be conditioned of period of not less than 8 h at a temperature of [20 ± 5 °C] equal to the maximum allowed operating temperature before the test starts. If there is reason to believe that any other temperature would pose a higher risk than this temperature should be used.~~

<JASIC Comment>

It is practically difficult to adjust the temperature at the test site while the influence of the RESS temperature is not assumed as to be significant.

3.5.2.1.3. The [RESS] shall be installed in a testing fixture simulating actual mounting conditions as far as possible; no combustible material should be used for this except the material that is part of the [RESS]. The method whereby the [RESS] is fixed in the fixture shall correspond to the relevant specifications for its installation. In the case of [RESS] designed for a specific vehicle use, vehicle parts which affect the course of the fire in any way shall be taken into consideration.

~~3.5.2.1.4 The cooling system and the venting systems for prevention of overpressure shall be remain operative during at the initiation of the test. At the manufacturer's discretion, such systems may be disabled.~~

<JASIC Comment>

It is practically difficult to maintain the operation of such systems during the test and it is recommended to allow flexibility for the manufacturer to avoid the test would be considered as "void".

3.5.2.1.5. The flame to which the [RESS] is exposed shall be obtained by burning ~~Heptanes commercial fuel for positive-ignition engines (hereafter called "fuel")~~ in a pan. The quantity of ~~fuel Heptanes~~ poured into the pan shall be sufficient to permit



## Proposal how to structure the RESS safety requirements

12-14 April 2011

RESS-4-14

the flame, under free-burning conditions, to burn for the whole test procedure, i.e. at least 25 litres/m<sup>2</sup>.

5. 3. R 34 annex 5 : "The flame to which the tank is exposed shall be obtained by burning commercial fuel for positive-ignition engines (hereafter called "fuel") in a pan."

Water should be poured at the bottom of the pan to ensure a flat bottom of the pan. The pan dimensions shall be chosen so as to ensure that the sides of the [RESS] are exposed to the flame. The pan shall therefore exceed the horizontal projection of the [RESS] by at least 20 cm, but not more than 50 cm. The sidewalls of the pan shall not project more than 8 cm above the level of the **fuel Heptanes** at the start of the test.

Remark: We suggest keeping the possibility to expose the RESS to a flame as for current R 34.

In cases when the [RESS] is distributed over the vehicle it is possible to run the test on each subpart of the [RESS].

<JASIC Comment>

The benefit to use Heptanes is not clear enough to require the use of unfamiliar material for vehicle testing.

The risk in the test operation in case of large-sized RESS should also be addressed since the pan dimension (i.e. size of flame) will be considerably huge and moving either the pan or the RESS in a safely manner will be difficult. It might be appropriate to have the maximum size of the pan.

**3.5.2.1.6.** The pan filled with **fuel Heptanes** shall be placed under the [RESS] in such a way that the distance between the level of the **fuel Heptanes** in the pan and the [RESS] bottom corresponds to the design height of the [RESS] above the road surface at the unladen mass. Either the pan, or the testing fixture, or both, shall be freely movable.

**3.5.2.1.7.** During phase C of the test, the pan shall be covered by a screen placed 3 cm +/- 1 cm above the **fuel Heptanes** level. The screen shall be made of a refractory material, as prescribed in [Annex 2]. There shall be no gap between the bricks and they shall be supported over the **fuel Heptanes** pan in such a manner that the holes in the bricks are not obstructed. The length and width of the frame shall be 2 cm to 4 cm smaller than the interior dimensions of the pan so that a gap of 1 cm to 2 cm exists between the frame and the wall of the pan to allow ventilation. Before the test the screen shall be heated to 308 K +/- 5 K (35 degrees C +/- 5 degrees C). The firebricks may be wetted in order to guarantee the repeatable test conditions.

**3.5.2.1.8.** ~~The tests should be carried out in an ambient temperature of at least 20 °C.~~ If the tests are carried out in the open air, sufficient wind protection shall be provided and the wind velocity at pan level shall not exceed 2.5 km/h.

<JASIC Comment>

The requirement of ambient temperature is too restrictive while the influence of the ambient temperature is not assumed to be significant.

# Proposal how to structure the RESS safety requirements

12-14 April 2011

RESS-4-14

3.5.2.1.9. The test shall comprise of four phases (see Appendix 1).

## [3.5.2.1.7.1. Phase A: Pre-heating (Figure 1)]

The fuel Heptanes in the pan shall be ignited at a distance of at least 3 m from the [RESS] being tested. After 60 seconds pre-heating, the pan shall be placed under the [RESS]. If the size of the pan is too large to be moved without risking liquid spills etc. then the [RESS] and test rig can be moved instead of the pan.]

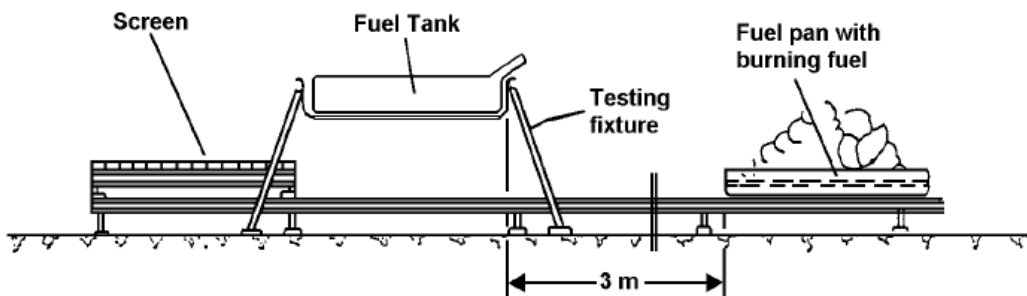


Figure 1

## 3.5.2.1.7.2. Phase B: Direct exposure to flame (Figure 2)

For 90 seconds the [RESS] shall be exposed to the flame from the freely burning fuel Heptanes.

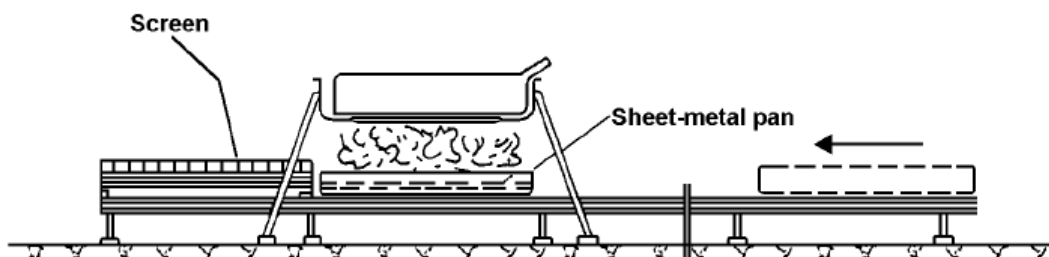


Figure 2

## 3.5.2.1.7.3. Phase C: Indirect exposure to flame (Figure 3)

As soon as phase B has been completed, the screen shall be placed between the burning pan and the [RESS]. The [RESS] shall be exposed to this reduced flame for a further [60] 90 seconds.

Instead of conducting Phase C of the test, Phase B may be continued for additional [60] 90 seconds at the manufacturer's discretion in those cases there is no reason to believe that this might pose a lower risk than the normal phase C.

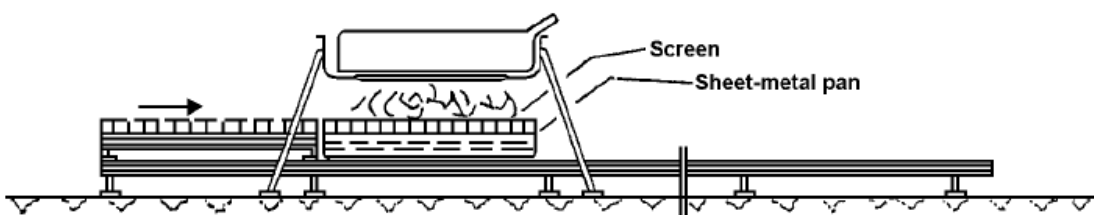


Figure 3

<JASIC Comment>

Extension of the heating period (60+60s → 90+90s) seems to be not logical.

### [3.5.2.1.4. Phase D: End of test (Figure 4)]

The burning pan covered with the screen shall be moved back to its original position (phase A). No extinguishing of the [RESS] shall be done. The [RESS] and its temperature shall be monitored for 24 h after the removal of the pan. The phase D can be stopped as soon as a decrease of the RESS temperature is observed.]

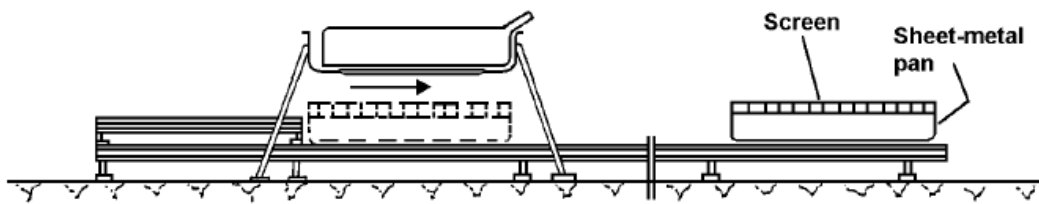


Figure 4

### 3.5.2.2 Acceptance criteria

During Phase A to D of the test, the [RESS] shall exhibit no evidence of explosion. not explode or rupture and no venting shall occur during phase A-C.

<JASIC Comment>

As this test condition simulates unusual circumstances, the requirement of explosion should be sufficient. The terms used for the requirement should be well defined and commonly used throughout the regulation.

### 3.5.3 Verification

The explosion criterion is verified by visual inspection. By no explosion means no sudden large increase in flames, no rapid release of energy, no pressure wave and no flying parts.

The pressure wave criteria needs to define a pressure limit and how to measure it

The venting criteria is evaluated either by signal from the BMS or if this is not possible by some other indication as agreed between the Technical Service and the manufacturer, this could be achieved by e.g. measuring gases produced during the test.

Remark: Is venting detection possible with the BMS ?

## 3.6 External Short Circuit

### 3.6.1 Rationale

~~The purpose of the short circuit protection test it is to check the over-current protection function. This function shall interrupt the short circuit current in order to prevent the [RESS] from further related severe events caused by a short circuit current.~~

#### **Proposal from TÜV-SGS / BMW: / Kortländer / Bode:**

The purpose of the short circuit protection test it is to verify the performance of the short circuit protection. This functionality, if implemented, shall interrupt or limit the short circuit current to prevent the [RESS] from any further related severe events caused by short circuit current.

### 3.6.2 Requirement

#### 3.6.2.1 Conditions

#### **Proposal from TÜV-SGS / BMW: / Kortländer / Bode:**

~~The state of charge (SOC) of [RESS] shall be at the maximum which is possible during normal vehicle operation.~~

The [RESS] shall be at any state of charge, which allows the normal operation of the power train as recommended by the manufacturer.

~~All ancillary subsystems shall be in the active driving possible mode and if the [RESS] is designed to be charged by external power supply, another test shall be made with the mode representing the charging state.~~

The following requirements can be conducted with the [RESS] [or with **the battery** module(s)] of the [RESS].

[If requirements are performed on **[battery]** module basis], evidence shall be provided that the results are representative for [RESS].]

The [RESS] shall be at any state of charge, which allows the normal operation of the power train as recommended by the manufacturer.

A cooling system, if existing, which is part of the qualified safety concept according to [annex xyz] for short circuit protection shall be enabled, otherwise it shall be deactivated.

A battery management system, if existing, which is part of the qualified safety concept according to [annex xyz] for short circuit protection shall be enabled, otherwise it shall be deactivated.

All existing main contactors shall be closed.

The test shall be performed with all integrated passive protection devices operational.

# Proposal how to structure the RESS safety requirements

12-14 April 2011

RESS-4-14

The [RESS] to be tested shall be temperature stabilized so that its external case temperature reaches minimum [23 °C] and then the [RESS] shall be subjected to a short circuit condition with a total external resistance of less than 0.1 ohm at minimum [23°C]

~~The test equipment shall not limit the short circuit current during the test. This value shall be agreed between the manufacturer and the technical service.~~

This short circuit condition is continued for at least one hour after the [RESS] external case temperature has returned to minimum [23°C] or ~~unless the operation of protection function to interrupt the short circuit current is confirmed.~~

~~The [RESS] shall be observed for a further [six hours] for the test to be concluded.~~

Direct after External Short Circuit a standard charging has to be conducted if not inhibited by the [RESS].

~~Remark: It has to be checked how such a requirement fits into the R 38.3 procedure.~~

<JASIC Comment>

SoC and operation of subsystem should be defined.

Test can be terminated if the operation of protection function is confirmed.

Observation period should be based on a uniform philosophy throughout this regulation

## 3.6.2.2 Acceptance criteria

During the test, including [1] h after the test, the [battery system] shall exhibit no evidence

- ~~a) of undefined visible venting~~
- b) battery enclosure rupture (no degradation of protection degree)
- c) fire
- d) explosion
- ~~e) electrolyte leakage~~

~~For [RESS] using high voltage the isolation resistance measured at the end of the test shall maintain high voltage to ground isolation no less than 100 Ω/Volt.~~

<JASIC Comment>

It is necessary to discuss the principle at what level of hazard shall be eliminated.

## Proposal how to structure the RESS safety requirements

12-14 April 2011

RESS-4-14

### 3.6.3 Verification

a) to d) of 3.6.2.2 shall be checked by visual inspection.

~~The isolation resistance shall be measured according to Annex 1.~~

## 3.7 Overcharge Protection (ISO 12405-1)

### 3.7.1 Rationale

The purpose of the over-charge protection test it is to check verify the functionality performance of the over-charge protection function. This functionality device, if any implemented, shall interrupt or limit the over-charge current in order to prevent the Device under Test (DUT) [RESS] from any further related severe events caused by over-charge current.

Todo: integrate "functionality", " normal operating conditions" passive protection devices External charge control in definitions

### 3.7.2 Requirement

#### 3.7.2.1 Conditions

The following requirements can be conducted with the [RESS] [or with the battery module(s)] of the [RESS].

[If requirements are performed on [battery module basis], evidence shall be provided that the results are representative for [RESS].]

The [RESS] shall be at RT, with a SOC of at least [80] % fully-charged and under normal operating conditions.

A cooling system, if existing, which is part of the qualified safety concept according to [annex xyz] for over-charge protection shall be enabled, otherwise it shall be deactivated.

A battery management system, if existing, which is part of the qualified safety concept according to [annex xyz] for over-charge protection shall be enabled, otherwise it shall be deactivated.

All existing main contactors shall be closed.

~~Remark: Influence of no-cooling, switched-off cooling etc. has to be included AND to avoid safety requirements on cooling system from battery, depends on decision of vehicle or battery manufacturer~~

~~[Main contactors are closed if any; battery system is controlled by the BCU]~~

~~If it includes safety features to prevent overcharging, if BCU has no safety features, the RESS or the battery or module have to be safe "stand-alone"~~

~~Remark: If test on module level, there is no BCU or BCU has a special management function to prevent overcharging~~

The test shall be performed with all integrated passive protection devices operational.

External charge control of the test equipment shall be disabled.

~~Remark: Probably there are several passive protection devices~~

# Proposal how to structure the RESS safety requirements

12-14 April 2011

RESS-4-14

The normal charging of the application shall be described as multiple from 1C-Rate from cells. If cells with different C-Rates are used, the highest value shall be used.

The [RESS] shall be overcharged with at least two times C-Rate referring to normal charge mode of application which is agreed by manufacturer and Technical Service

**Remark:** To respect different cell-types and charging mechanism

<JASIC Comment>

Charge current is not clearly defined. Definition of C-Rate is necessary.

~~Remark: Less than two times rate could lead to possible problems. A lower value than 2C could be more severe.~~

Charging shall be continued

- until the [RESS] (automatically) interrupt the charging or
- until the [RESS] is thermal stationary, which means the temperature change is lower than [2] K within [30] min

### 3.7.2.2 Acceptance criteria

During the test, including [1] h after the test, the battery system shall exhibit no evidence of

a) of undefined visible venting

b) battery enclosure rupture (no degradation of protection degree)

c) fire

d) explosion.

For [RESS] using high voltage the isolation resistance measured at the end of the test shall maintain high voltage to ground isolation no less than 100  $\Omega$ /Volt.

[[1] after the test the [RESS] shall be re-used]

<JASIC Comment>

It is necessary to discuss the principle at what level of hazard shall be eliminated.

### 3.7.3 Verification

a) to d) of 3.7.2.2 shall be checked by visible inspection after test

b) Review of safety concept according annex xyz or equal without test

c) Analysis of measurement data and calculation

Or any combination thereof.

The isolation resistance shall be measured according to Annex 1. → Wunsch KK:  
nur Verweis auf ECE R100!!!



## 3.8 Over-discharge Protection

### 3.8.1 Rationale

~~The purpose of the over-discharge protection test it is to check the functionality of the over-discharge protection function. This functionality device, if any, shall interrupt the over-discharge current in order to prevent the Device under Test (DUT) from any further related severe events caused by an over-discharge current.~~

### **Proposal from TÜV-SGS / BMW: / Kortländer / Bode:**

The purpose of the short circuit protection test it is to verify the performance of the over-discharge protection. This functionality, if implemented, shall interrupt or limit the over-discharge current to prevent the [RESS] from any further related severe events caused by over-discharge current.

### 3.8.2 Requirement

#### 3.8.2.1 Conditions

For [RESS] which do not need an over-discharge protection the manufacturer shall demonstrate to provide evidence to the Technical Service which shows that any over-discharge and standard charge afterwards does not lead to any situation described in the acceptance criteria.

=> Footnote explanation

For [RESS] which need an over-discharge protection the following test shall be conducted with the [RESS] [or with [module(s)] of the RESS].

[If tests are performed on [module basis], evidence shall be provided that the results are representative for [RESS].]

### **Proposal from TÜV-SGS / BMW: / Kortländer / Bode:**

A cooling system, if existing, which is part of the qualified safety concept according to [annex xyz] for short circuit protection shall be enabled, otherwise it shall be deactivated.

A battery management system, if existing, which is part of the qualified safety concept according to [annex xyz] for over-discharge protection shall be enabled, otherwise it shall be deactivated.

All existing main contactors shall be closed.

The test shall be performed with all integrated passive protection devices operational.

The [RESS] shall be at room temperature (RT), charged as under normal operating conditions with the cooling system operating (main contactors are closed if any, battery system are controlled by the [battery control unit (BCU)]).

~~The test shall be performed with integrated passive circuit protection devices operational. Active discharge control of~~

# Proposal how to structure the RESS safety requirements

12-14 April 2011

RESS-4-14

The test equipment shall not prevent the over-discharge of the DUT be disconnected.

Perform a standard discharge. When reaching the normal discharge limits, discharging with 1C rate shall be continued.

Discharging shall be continued until the [RESS] interrupt the discharging automatically.

Direct after the over-discharging a standard charging has to be conducted if not inhibited by the [RESS].

## 3.8.2.2 Acceptance criteria

During the test, including [1] h after the test, the [battery system] shall exhibit no evidence of

~~[a) of undefined visible venting]~~

=> action item for German working group / UTAC /SP/ Autoliv

- b) battery enclosure rupture (no degradation of protection degree)
- c) fire
- d) explosion.

For [RESS] using high voltage the isolation resistance measured at the end of the test shall maintain high voltage to ground isolation not less than 100  $\Omega$ /Volt when the RESS is dedicated to a vehicle where the RESS is not galvanical connected to an AC system. Otherwise the high voltage to ground isolation has to be not less than 500  $\Omega$ /Volt.

However, if all AC high voltage buses are protected by one of the 2 following measures, isolation resistance between the high voltage bus and the electrical chassis shall have a minimum value of 100  $\Omega$ /V of the working voltage:

- (a) Double or more layers of solid insulators, barriers or enclosures that meet the requirement in paragraph [5.1.1. of ECE R100.0]1 independently, for example wiring harness;
- (b) Mechanically robust protections that have sufficient durability over vehicle service life such as motor housings, electronic converter cases or connectors;

JASIC Comment>

It is necessary to discuss the principle at what level of hazard shall be eliminated.

## 3.8.3 Verification method

[a) to d) of 3.8.2.2 shall be checked by visual inspection.]

The isolation resistance shall be measured according to Annex 1.

## 3.9 Over-temperature Protection

### 3.9.1 Rationale

Verify the functionality of the over-temperature protection, **if any necessary for safety reasons** that prevents the operation at over-temperatures inside the [RESS]. **This test should simulate the lost of thermal control.**

<JASIC Comment>

This procedure imposes unreasonable design restriction to have cut-off function, although another solution, e.g. protection by PTC of cell, may exist.

As this procedure has never discussed at international standardization bodies, careful review with a view to the practicality is necessary.

### 3.9.2 Requirement

When the maximum working temperature of the [RESS], specified by the manufacturer, is exceeded, **the [RESS] high voltage buses shall be opened for the battery cannot be operated** at the latest [5 min] after this temperature is reached.

**After the test, the components shall be functional.**

#### 3.9.2.1 Conditions

The [RESS] shall be at any state of charge, which allows the normal operation of the power train as recommended by the manufacturer.

The [RESS] shall be placed in a convective oven or climatic chamber (hereby called over-temperature room). The over-temperature room temperature shall be increased at a rate of  $5\text{ °C/min} \pm 2\text{ °C/min}$  until it reaches the maximum working temperature of the [RESS], specified by the manufacturer + 20°C. The [RESS] temperature shall be monitored by the measurement devices which are integrated inside the [RESS] by the manufacturer.

~~Temperature measurement shall be performed inside the [RESS]. Cooling system shall be deactivated during the over –temperature test, and reactivated for the verification in 3.9.3.~~

The manufacturer shall provide the technical service with the relevant technical information dossier of the measurement device. ~~The content of this information dossier shall be provided by the technical service.~~

The test shall be interrupted when the requirement is satisfied or when the [RESS] reaches or exceeds the maximum working temperature specified by the manufacturer for more than 5 min without satisfying the requirement.

#### 3.9.2.2 Acceptance criteria

**The [RESS] complies with the requirement when operation of the RESS stops, the signal related to the stop of operation physical opening sent by the BMS is detected.**

**{a) of undefined visible venting}**

**=> action item for German working group / UTAC /SP/ Autoliv**

b) battery enclosure rupture (no degradation of protection degree)

c) fire

d) explosion.

### 3.9.3 Verification

[The internal temperature and the signal related to the opening of the high voltage buses of the [RESS] are monitored. In order to verify the functionality of the components, the [RESS] shall rest until it reaches the ambient temperature ( $25^{\circ}\text{C} \pm 5^{\circ}\text{C}$ ). A charge/discharge cycle shall be applied to the [RESS]. The charge and discharge shall be functional.

During the test and before the verification, to give the possibility to make a reset of the default.]



**3.10      Protection against direct contact (related to R100)**

**3.10.1      Rationale**

Verify the functionality that protects persons to come in contact with high voltage live parts (only for [RESS] above 60 VDC). This requirement has to be proved under ECE R100.]

## 3.11 Emission

### 3.11.1 Rationale

Possible emission of gases caused by the energy conversion process during normal use shall be considered.

### 3.11.2 Requirement

[Open type traction batteries shall meet the requirements of ECE R100 according to hydrogen emissions.]

⇒ Check the requirements of ECE R100 by German working

⇒

Systems with a closed chemical process are considered as emission-free under normal operation (e.g. Li-ion).

Other technologies shall be evaluated by the manufacturer and the Technical Service according possible emissions under normal operation.

#### 3.11.2.1 Conditions

#### 3.11.2.2 Acceptance criteria

For hydrogen emissions see ECE R100.

Systems with closed chemical process are emission-free and no verification is necessary.

### 3.11.3 Verification

For hydrogen emissions see ECE R100.

The closed chemical process has to be described by the manufacturer.

<JASIC Comment>

“Open type traction battery” is already defined in R100 and R100 has a hydrogen emission requirement for open type traction battery. Therefore, there is no need to have additional requirement for open type traction battery since compliance with R100 will anyway be required for vehicle approval.

Batteries other than open type traction battery will not cause any additional danger of gaseous emission during normal operation and therefore no need to make this requirement in this regulation.

## ANNEX 1: MEASUREMENT OF ISOLATION RESISTANCE

### 1. Measurement method

The isolation resistance measurement shall be conducted by selecting an appropriate measurement method from among those listed in Paragraphs 1.1. through 1.2., depending on the electrical charge of the live parts or the isolation resistance, etc.

The range of the electrical circuit to be measured shall be clarified in advance, using electrical circuit diagrams, etc.

Moreover, modification necessary for measuring the isolation resistance may be carried out, such as removal of the cover in order to reach the live parts, drawing of measurement lines, change in software, etc.

In cases where the measured values are not stable due to the operation of the on-board isolation resistance monitoring system, etc., necessary modification for conducting the measurement may be carried out, such as stopping of the operation of the device concerned or removing it. Furthermore, when the device is removed, it shall be proven, using drawings, etc., that it will not change the isolation resistance between the live parts and the electrical chassis.

Utmost care shall be exercised as to short circuit, electric shock, etc., for this confirmation might require direct operations of the high-voltage circuit.

#### 1.1. Measurement method using DC voltage from off-vehicle sources

##### 1.1.1. Measurement instrument

An isolation resistance test instrument capable of applying a DC voltage higher than the working voltage of the high voltage bus shall be used.

##### 1.1.2. Measurement method

An insulator resistance test instrument shall be connected between the live parts and the electrical chassis. Then, the isolation resistance shall be measured by applying a DC voltage at least half of the working voltage of the high voltage bus.

If the system has several voltage ranges (e.g. because of boost converter) in galvanically connected circuit and some of the components cannot withstand the working voltage of the entire circuit, the isolation resistance between those components and the electrical chassis can be measured separately by applying at least half of their own working voltage with those component disconnected.

# Proposal how to structure the RESS safety requirements

12-14 April 2011

RESS-4-14

1.2. Measurement method using the vehicle's own [RESS] as DC voltage source

1.2.1. Test vehicle conditions

The high voltage-bus shall be energized by the vehicle's own [RESS] and/or energy conversion system and the voltage level of the [RESS] and/or energy conversion system throughout the test shall be at least the nominal operating voltage as specified by the vehicle manufacturer.

1.2.2. Measurement instrument

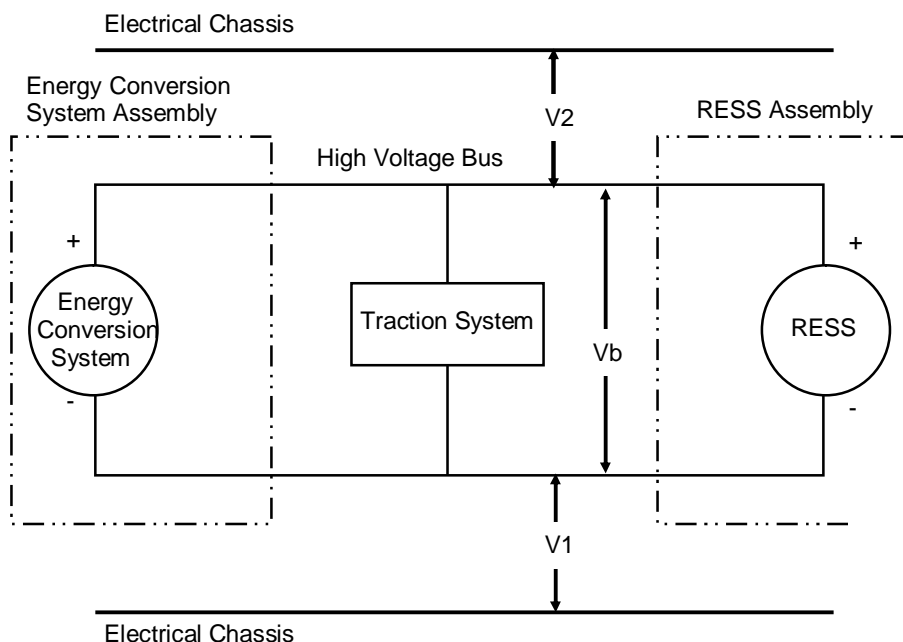
The voltmeter used in this test shall measure DC values and shall have an internal resistance of at least 10 MΩ.

1.2.3. Measurement method

1.2.3.1. First step

The voltage is measured as shown in Figure 1 and the high voltage Bus voltage ( $V_b$ ) is recorded.  $V_b$  shall be equal to or greater than the nominal operating voltage of the [RESS] and/or energy conversion system as specified by the vehicle manufacturer.

Figure 1 - Measurement of  $V_b$ ,  $V_1$ ,  $V_2$





## Proposal how to structure the RESS safety requirements

12-14 April 2011

RESS-4-14

### 1.2.3.2. Second step

Measure and record the voltage ( $V_1$ ) between the negative side of the high voltage bus and the electrical chassis (see Figure 1).

### 1.2.3.3. Third step

Measure and record the voltage ( $V_2$ ) between the positive side of the high voltage bus and the electrical chassis (see Figure 1).

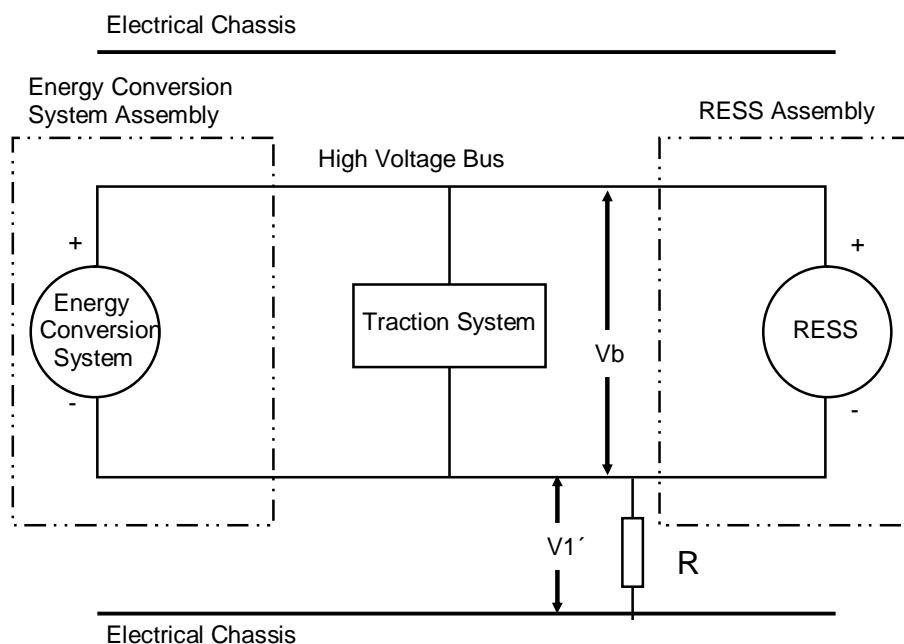
### 1.2.3.4. Fourth step

If  $V_1$  is greater than or equal to  $V_2$ , insert a standard known resistance ( $R_o$ ) between the negative side of the high voltage bus and the electrical chassis. With  $R_o$  installed, measure the voltage ( $V_1'$ ) between the negative side of the high voltage bus and the electrical chassis (see Figure 2).

Calculate the electrical isolation ( $R_i$ ) according to the following formula:

$$R_i = R_o \cdot (V_b / V_1' - V_b / V_1) \quad \text{or} \quad R_i = R_o \cdot V_b \cdot (1 / V_1' - 1 / V_1)$$

Figure 2 - Measurement of  $V_1'$



If  $V_2$  is greater than  $V_1$ , insert a standard known resistance ( $R_o$ ) between the positive side of the high voltage bus and the electrical chassis. With  $R_o$  installed, measure the voltage ( $V_2'$ ) between the positive side of the high voltage bus and the electrical chassis. (See Figure 3). Calculate the electrical isolation ( $R_i$ ) according to the formula

## Proposal how to structure the RESS safety requirements

12-14 April 2011

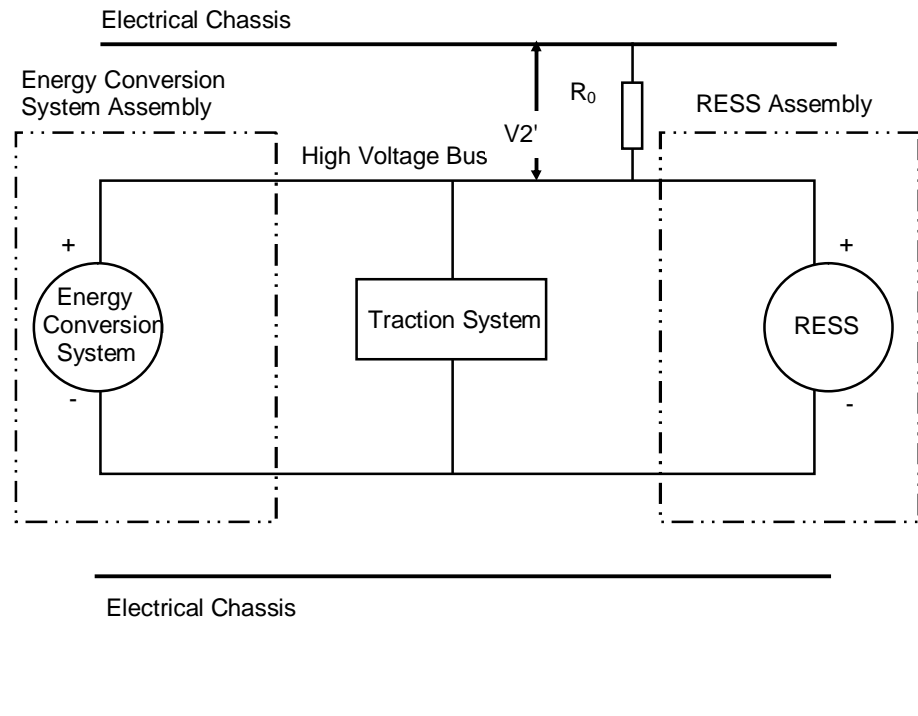
RESS-4-14

shown. Divide this electrical isolation value (in  $\Omega$ ) by the nominal operating voltage of the high voltage bus (in volts).

Calculate the electrical isolation ( $R_i$ ) according to the following formula:

$$R_i = R_o \cdot (V_b/V_2' - V_b/V_2) \quad \text{or} \quad R_i = R_o \cdot V_b \cdot (1/V_2' - 1/V_2)$$

Figure 3 - Measurement of  $V_2'$



### 1.2.3.5. Fifth step

The electrical isolation value  $R_i$  (in  $\Omega$ ) divided by the working voltage of the high voltage bus (in volts) results in the isolation resistance (in  $\Omega/V$ ).

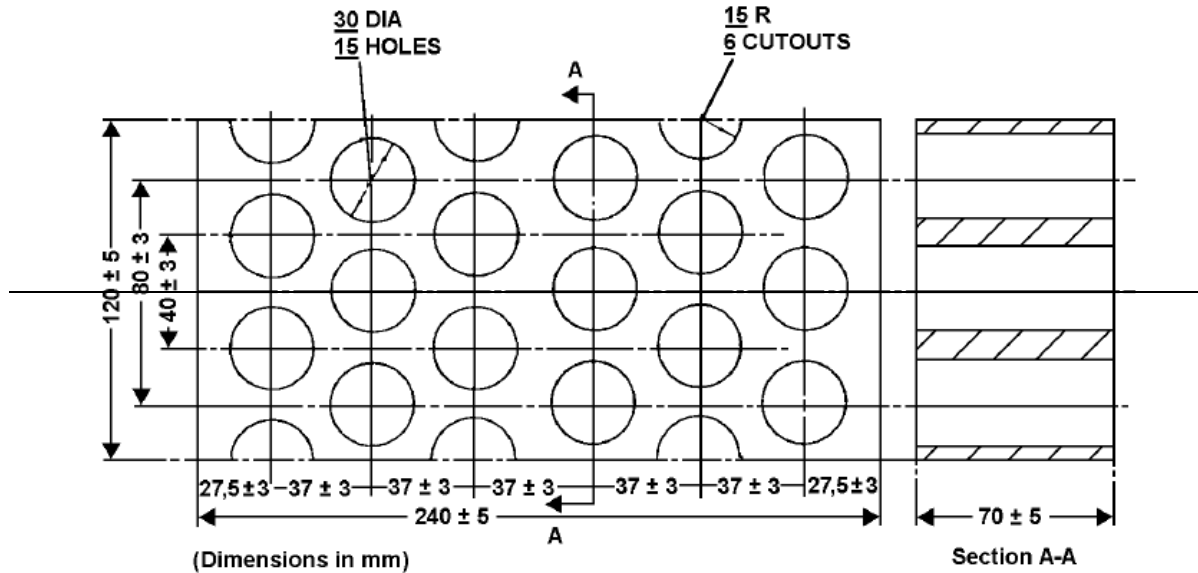
NOTE 1: The standard known resistance  $R_o$  (in  $\Omega$ ) should be the value of the minimum required isolation resistance (in  $\Omega/V$ ) multiplied by the working voltage of the vehicle plus/minus 20 per cent (in volts).  $R_o$  is not required to be precisely this value since the equations are valid for any  $R_o$ ; however, a  $R_o$  value in this range should provide good resolution for the voltage measurements.

# Proposal how to structure the RESS safety requirements

12-14 April 2011

RESS-4-14

## ANNEX 2: DIMENSIONS AND TECHNICAL DATA OF FIREBRICKS



Fire resistance	(Seeger-Kegel) SK 30
Al <sub>2</sub> O <sub>3</sub> content	30 - 33 per cent
Open porosity (P <sub>o</sub> )	20 - 22 per cent vol.
Density	1,900 - 2,000 kg/m <sup>3</sup>
Effective holed area	44.18 per cent

**B) ADDITIONAL REQUIREMENTS?**

**IMMERSION TEST (RESS COMPLETE UNDER WATER)**

Rationale for the necessity maybe by NL.

Flooded roads are common in other areas also. A test is specified in SAE J2464.

REMARK: Immersion will not cause any safety critical phenomena for RESS.

**Remark from Korea:**

§ Additional Requirement: Immersion Test

In the past decade, we witnessed many floods around the world. The **Hurricane Katrina** in 2005 has left huge flood damage to the southern part of USA. The Queensland in Australia also was flooded as recently as January this year. The centre of Seoul, Korea, was flooded to the waist deep in Sep, 2010.

An immersion test should be included. The sea water, as fluid, may be appropriate. The electrical safety as well as chemical safety (for example, toxicity) should be secured.

<JASIC Comment>

Immersion will not cause any safety critical phenomena for RESS and therefore no need to make this requirement in this regulation.

**[DUST]**

**MARKING**

ISO 6469-3 and R100

**EMC**

R10

**Tell-tale**

<JASIC Comment>

General requirement in case of single failure to the system component, such as safe-mode operation, indication to the customer, tell-tale, etc., should be examined.

**[Storage of RESS at low and high temperature]**