

Informal document No. **GRSG-87-36**  
(87th GRSG, 12-15 October 2004,  
agenda item 8.)



## **Effect of Enlarged Exterior Mirrors on Driver's Vision**

Peter Michel, BMW AG  
87. GRSG, 12.10.2004

# ECE-R 46.02

## TRANS/WP.29/GRSG/2004/10/Rev.1



### Effect of Enlarged Exterior Mirrors on Driver's Vision

Peter Michel, BMW AG  
GRSG, 12. October 2004

**BMW Group**



# ECE-R 46.02

TRANS/WP.29/GRSG/2004/10/Rev.1



- Appearance of Mirrors
- Effect on Driver's Direct Vision
- Rear Vision of M1 Vehicle vs. N3 Vehicle

**BMW Group**



# ECE-R 46.02

## TRANS/WP.29/GRSG/2004/10/Rev.1

### Appearance of Mirrors



**BMW Group**



# ECE-R 46.02

## TRANS/WP.29/GRSG/2004/10/Rev.1

### Effect on Driver's Direct Vision (I)



**BMW Group**



# ECE-R 46.02

## TRANS/WP.29/GRSG/2004/10/Rev.1

### Effect on Driver's Direct Vision (II)



**BMW Group**



# ECE-R 46.02

## TRANS/WP.29/GRSG/2004/10/Rev.1

### Effect on Driver's Direct Vision (III)



**BMW Group**



# ECE-R 46.02

## TRANS/WP.29/GRSG/2004/10/Rev.1

### Effect on Driver's Direct Vision (IV)



**BMW Group**

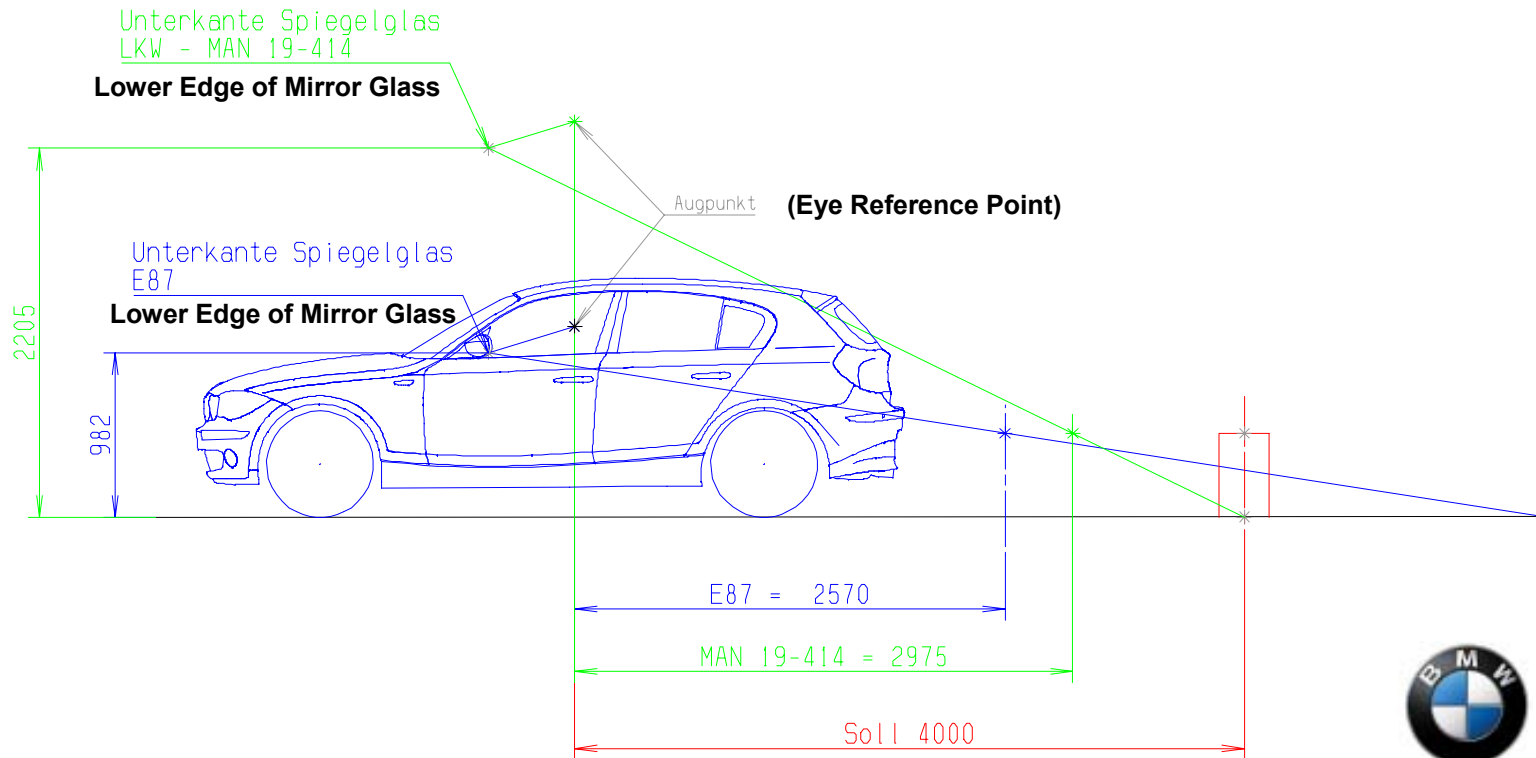




# ECE-R 46.02

## TRANS/WP.29/GRSG/2004/10/Rev.1

### Rear Vision of M1 Vehicle vs. N3 Vehicle



**BMW Group**

