

**ECONOMIC COMMISSION FOR EUROPE  
INLAND TRANSPORT COMMITTEE  
World Forum for Harmonization of Vehicle Regulations (WP.29)  
Working Party on General Safety Provisions (GRSG)**

PROPOSAL FOR DRAFT AMENDMENTS TO REGULATION No. 107

Transmitted by the Expert from Germany

TRANS/WP.29/GRSG/2003/21/Rev. 1

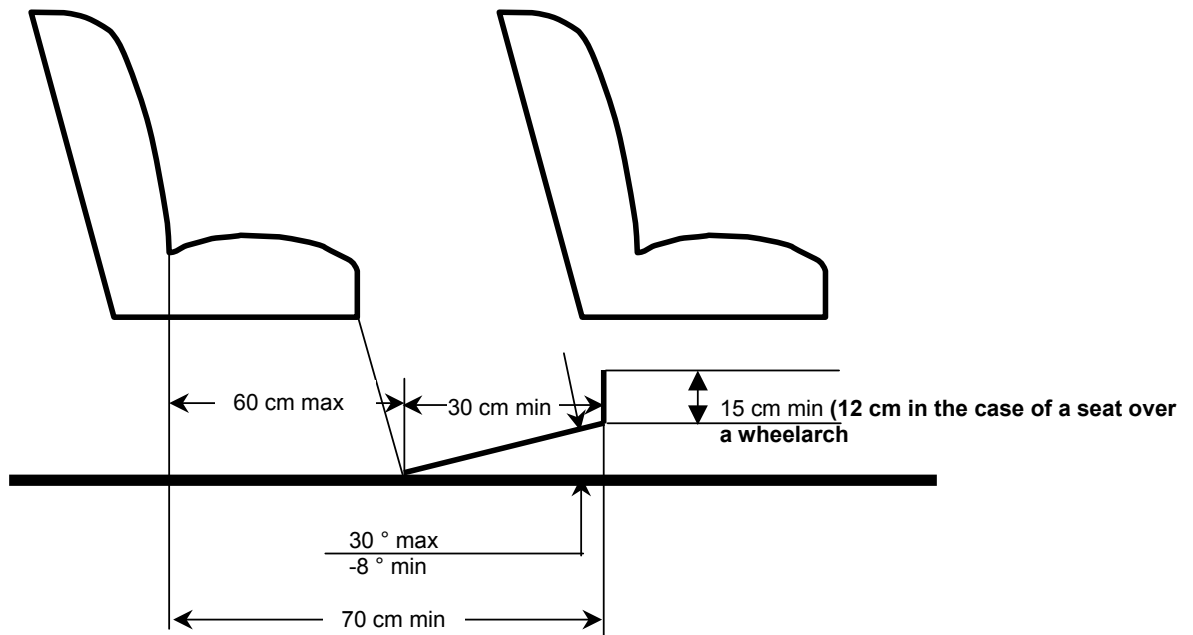
Paragraph 5.7.9.5.2, amend to read:

"5.7.9.5.2. For a seat behind a seat and/or a seat facing the gangway, a minimum clear foot space of at least 300 mm depth and a width according to paragraph 7.7.8.1.1. shall be provided as shown in annex 4, figure 11b. The local presence in this space of seat legs, **passenger footrests** and of intrusions as provided by paragraph 5.7.9.6.2.3 shall be permitted provided that adequate space remains for the passengers' feet. This foot space may partly be situated in and/or above the gangway but shall not create any obstruction when measuring the minimum gangway-width in accordance with paragraph 5.7.5. "

Annex 4

Figure 11b

"Space for seated passengers behind a seat and/or a seat facing the gangway"  
(see annex 3, paragraph 7.7.8.5.2)



Justification:

The intention of the proposal is to clarify that the foot space in front of a passenger seat may be restricted by passenger footrests and wheelarches.