



**Economic and Social  
Council**

Distr.  
GENERAL

TRANS/WP.29/2004/59  
20 July 2004

Original: ENGLISH

---

**ECONOMIC COMMISSION FOR EUROPE**

**INLAND TRANSPORT COMMITTEE**

World Forum for Harmonization of Vehicle Regulations (WP.29)  
(One-hundred-and-thirty-fourth session,  
16-19 November 2004, agenda item 5.2.1.)

DRAFT SUPPLEMENT 1 TO THE 06 SERIES OF AMENDMENTS TO REGULATION No. 14

(Safety-belt anchorages)

Transmitted by the Working Party on Passive Safety (GRSP)

Note: The text reproduced below was adopted by GRSP at its thirty-fifth session and is transmitted for consideration to WP.29 and AC.1 (TRANS/WP.29/GRSP/35, para. 14). It is based on TRANS/WP.29/GRSP/2003/12, as amended by TRANS/WP.29/GRSP/34, annex 2 and by para. 13 of the report.

---

This document is a working document circulated for discussion and comments. The use of this document for other purposes is the entire responsibility of the user.

Documents are also available via the INTERNET:

<http://www.unece.org/trans/main/welcwp29.htm>

Paragraph 6.3.2., amend to read:

"6.3.2. The tractive force shall be applied in a direction corresponding to the seating position at an angle of 10 degrees  $\pm$  5° above the horizontal in a plane parallel to the median longitudinal plane of the vehicle.

A preload of 10 per cent with a tolerance of  $\pm$  30 per cent of the target load shall be applied; the load shall be increased to 100 per cent of the relevant target load."

Paragraph 6.3.3., amend to read:

"6.3.3. Full application of the load shall be achieved as rapidly as possible, and within a maximum load application time of 60 seconds.

However, the manufacturer may request the application of the load to be achieved within 4 seconds.

The belt anchorages must withstand the specified load for not less than 0.2 second."

Paragraph 6.3.4., amend to read:

"6.3.4. Traction devices to be used in the tests described in paragraph 6.4. below are shown in annex 5. The devices shown in annex 5, figure 1 are placed onto the seat cushion and then, when possible, pushed back into the seat back while the belt strap is pulled tight around it. The device shown in annex 5, figure 2 is placed in position, the belt strap is fitted over the device and pulled tight. No preload beyond the minimum necessary for correct positioning of the test device shall be introduced to safety-belt anchorages during this operation.

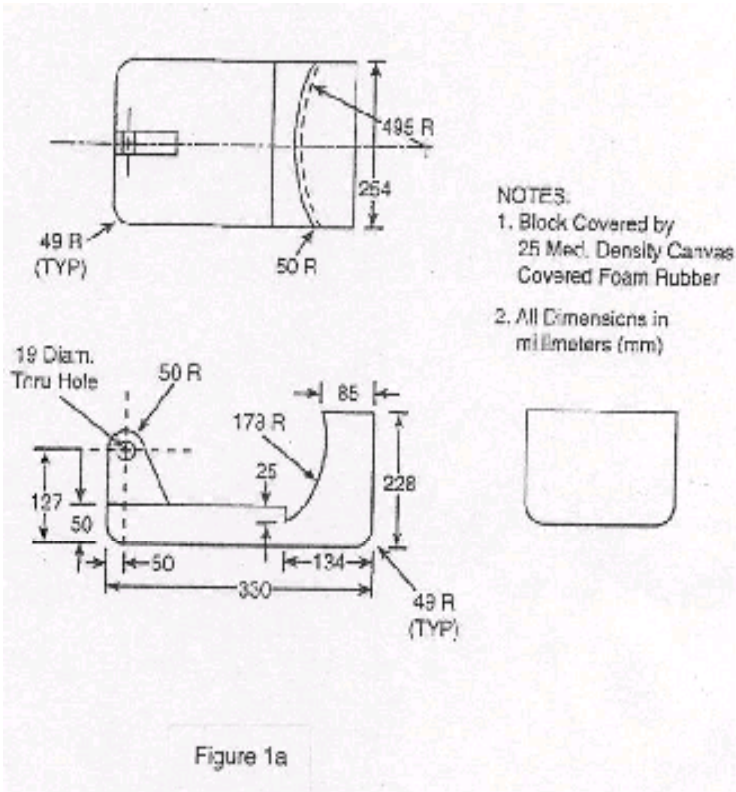
The traction device of either 254 mm or 406 mm used at each seating position shall be such that its width is as close as possible to the distance between the lower anchorages.

The positioning of the traction device shall avoid any mutual influences during the pull test which adversely affects the load and load distribution."

Annex 5.

Insert a new figure 1a, to read:

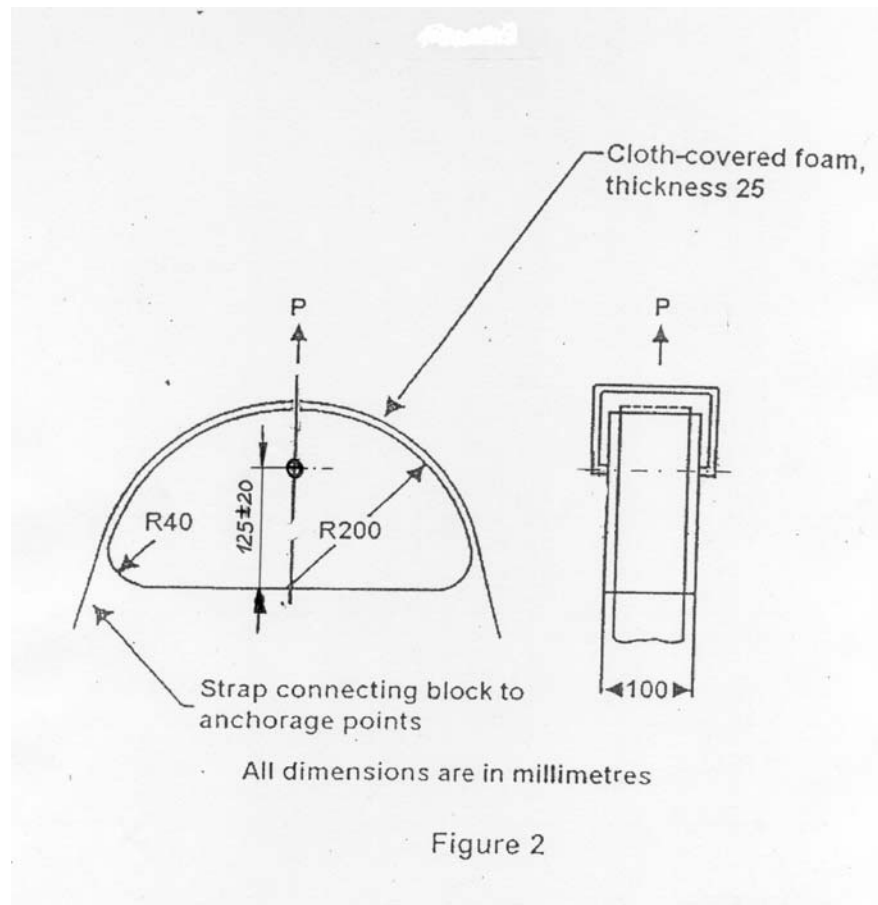
"



"

Figure 2, amend to read:

"



For the fixing of the strap the shoulder belt traction device may be modified by adding of two land edges and/or some bolts to avoid any drop off of the strap during the pull test."

---