

**CLEPA Proposal for revision to the specifications to the Child restraint system envelopes as specified in TRANS/WP.29/GRSP/2001/15/Rev.2 and the relevant cross references in TRANS/WP.29/GRSP/2001/16/Rev.2**

TRANS/WP.29/GRSP/2001/15/Rev.2

**4. ISOFIX child restraint system size classes and fixtures**  
Insert new class **B1- ISO/F3: Reduced-Height Forward Facing toddler CRS (modified)**

- A - ISO/F3: Full-Height Forward Facing toddler CRS
- B - ISO/F2: Reduced-Height Forward Facing toddler CRS
- B1- ISO/F3: Reduced-Height Forward Facing toddler CRS (modified)**
- C - ISO/R3: Full-Size Rearward Facing toddler CRS
- D - ISO/R2: Reduced-Size Rearward Facing toddler CRS
- E - ISO/R1: Rearward Facing infant CRS
- F - ISO/L1: Left Lateral Facing position CRS (carry-cot)
- G - ISO/L2: Right Lateral Facing position CRS (carry-cot)

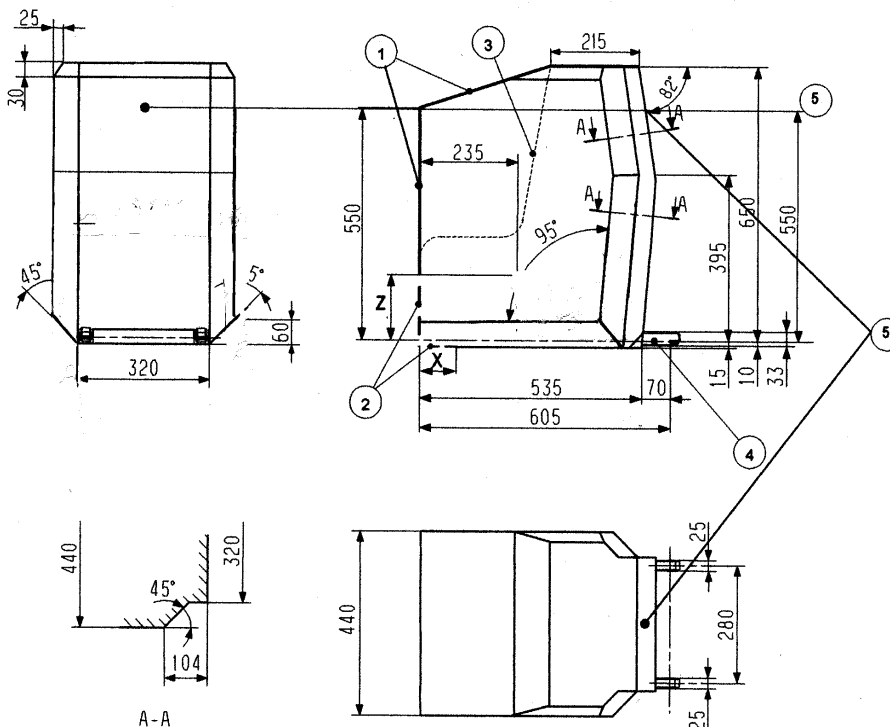
Mass group	ISOFIX size class	Fixture (CRF)
0 - up to 10 kg	F	ISO/L1
	G	ISO/L2
	E	ISO/R1
0+ - up to 13 kg	C	ISO/R3
	D	ISO/R2
	E	ISO/R1
I - 9 to 18 kg	A	ISO/F3
	B	ISO/F2
	<b>B1</b>	<b>ISO/F3</b>
	C	ISO/R3
	D	ISO/R2

Add new § 4.3 B1- ISO/F3: Reduced-Height Forward Facing toddler CRS (modified) drawing for Class B1, and renumber existing drawings as 4.4, 4.5, 4.6, 4.7.

Modify all original drawings 4.1 to 4.5, by removing armrest recess, drawing for fixture B attached is typical.

Revise old drawing 4.6 (New 4.7) Lateral facing child restraint systems envelope by correcting dimension 915 to 815 mm.

**4.2. Reduced-height forward-facing toddler child restraint systems envelope.**

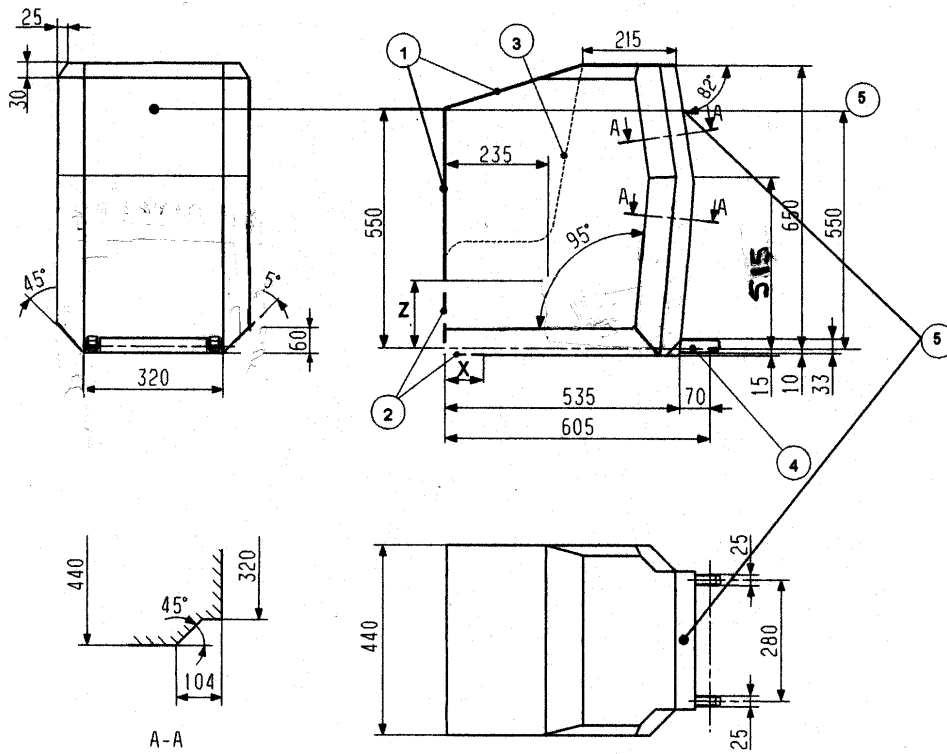


**Key**

- 1 Limits in the forward and upwards directions
- 2 Dashed line marks area where a support leg, or similar, is allowed to protrude
- 3 Shape of CRF for positioning purpose in R14
- 4 Further specifications of the connector area is given in R44
- 5 ISOFIX top tether attachment

**Figure 2 - ISO/F2 envelope dimensions for a reduced-height forward-facing toddler CRS, (height 650 mm) - ISOFIX SIZE CLASS B**

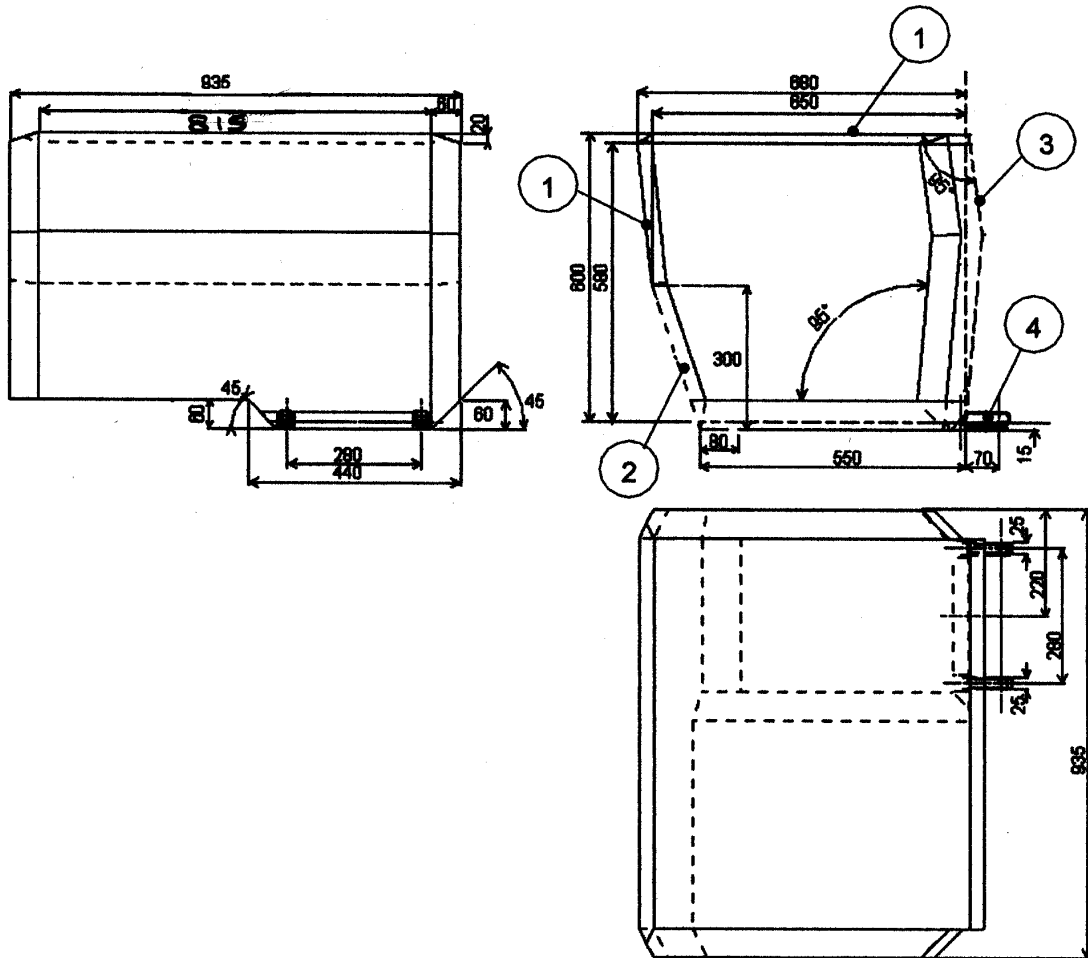
New 4.3 Reduced height forward-facing toddler child restraint systems envelope



**Key**

- 1 Limits in the forward and upwards directions
- 2 Dashed line marks area where a support leg, or similar, is allowed to protrude
- 3 Shape of CRF for positioning purpose in R14
- 4 Further specifications of the connector area is given in R44
- 5 ISOFIX top tether attachment

New 4.7 (old 4.6) Lateral facing child restraint systems envelope



**Key**

- 1 Limits in the rearward and upward directions
- 2 Dashed line marks area where a support leg, or similar, is allowed to protrude
- 3 The backward limitation (to the right in the figure) is given by the forward facing envelope in Figure 2
- 4 Further specifications of the connector area is given in ISO 13216-1, Figures 2 and 3

**Figure 6 — Envelope dimensions for Lateral facing position CRS – ISO/L1 – ISOFIX SIZE CLASS F or symmetrically opposite – ISO/L2 – ISOFIX SIZE CLASS G**

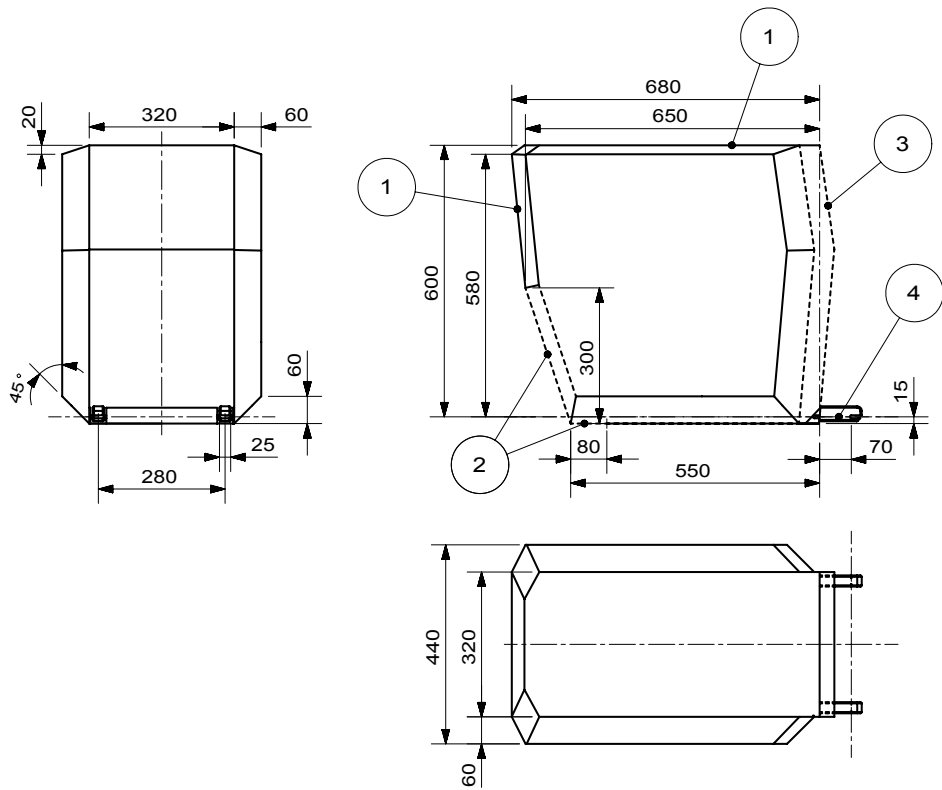
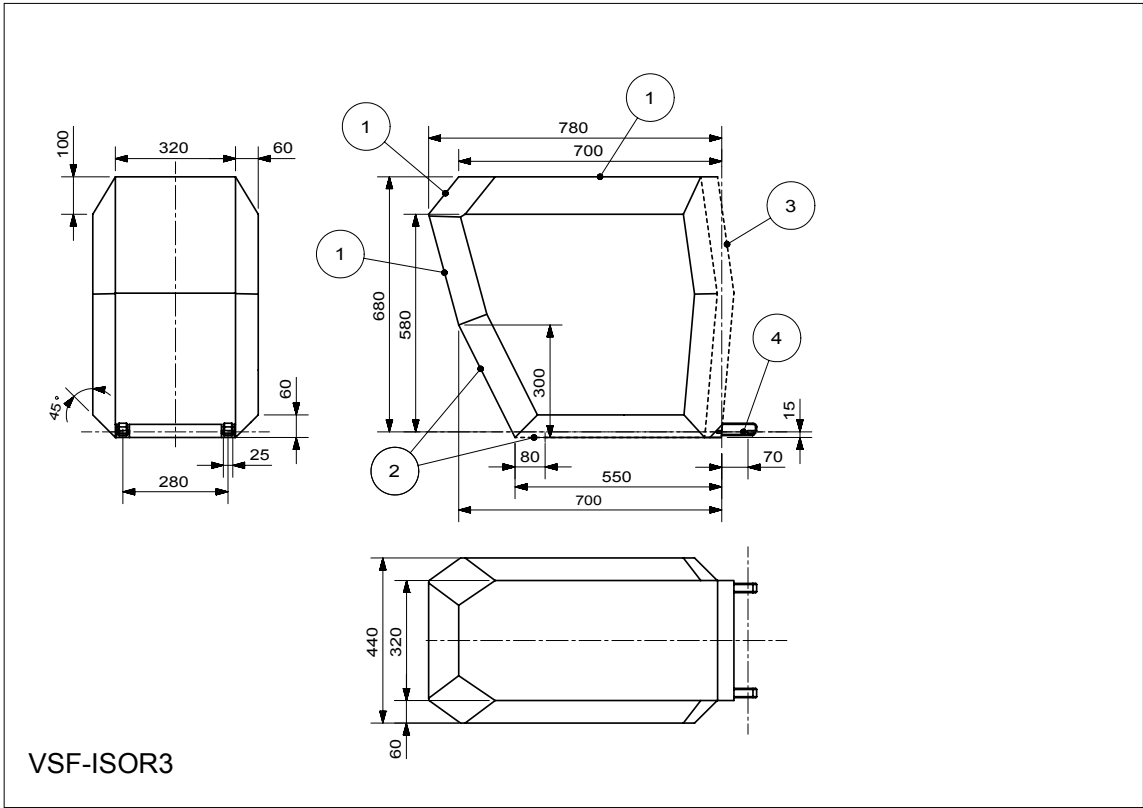
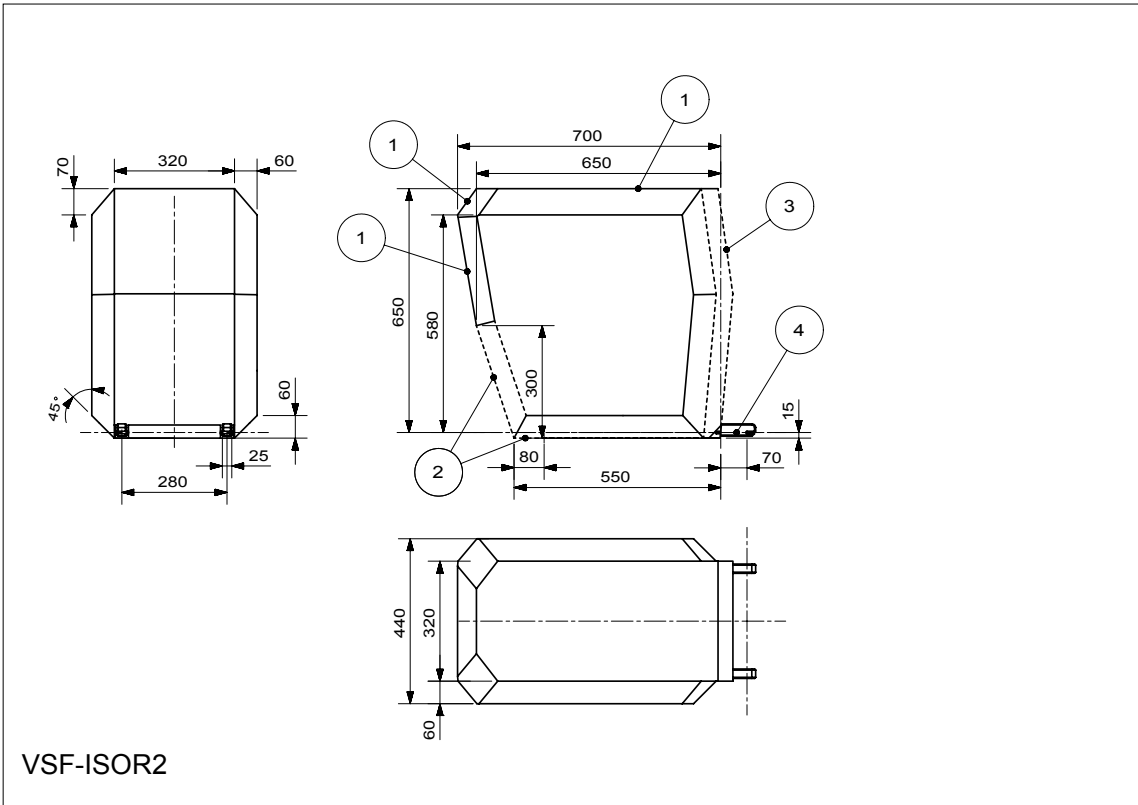


Figure 3 RF 1 Revised



VSF-ISOR3



VSF-ISOR2