

Endurance/Low Pressure Test

FMVSS 139

Endurance and Low Pressure Tests

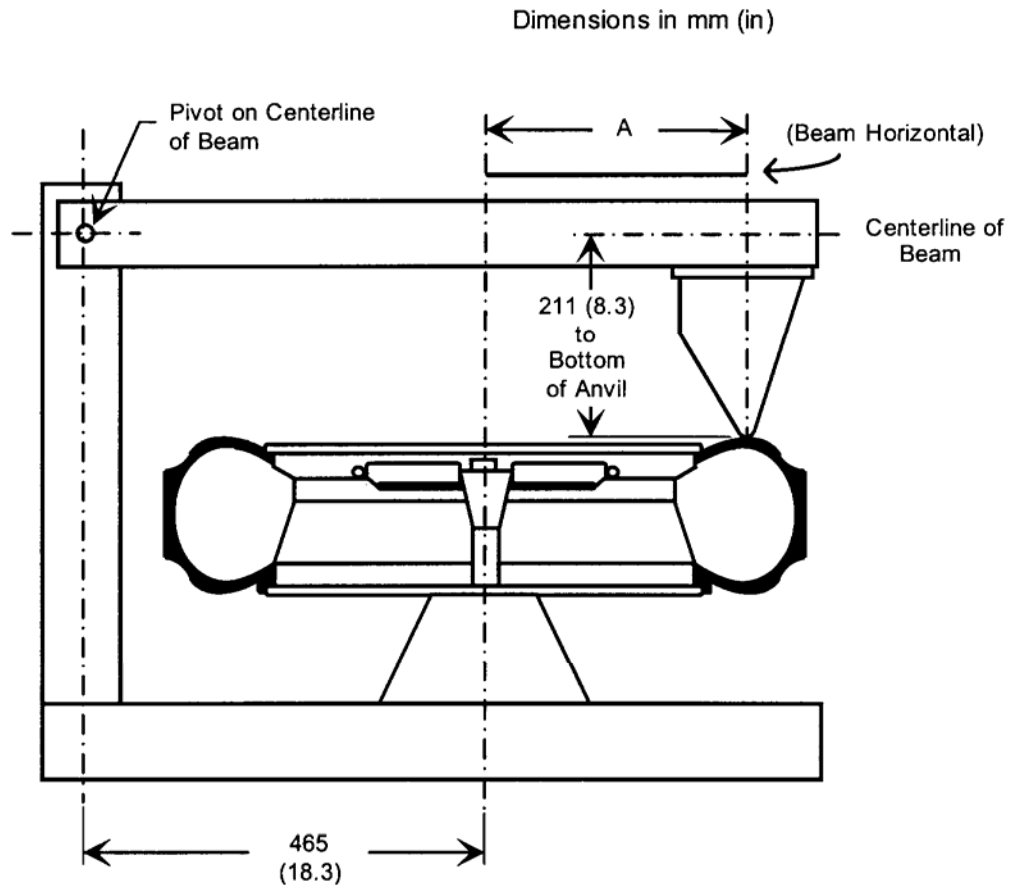
Endurance Ambient (°C)	38
Inflation (kPa) % Max.	75
Load Schedule % Max.	85/90/100
Time Schedule (Hrs)	4/6/24
Speed (kph)	120
Low Pressure Same conditions as above except:	
Inflation (kPa) (%Max.)	58
Load (% Max.)	100
Time (Min)	90
Speed (kph)	120

Bead Unseating Test

Update per latest ASTM F 2663-07

- Two additional shoe designs and modifications to “A” dimension to accommodate lower aspect ratio and larger diameter tyres
- ASTM to provide details, by end of 2007, to NHTSA for revision to current standard

Bead Unseating Test



Plunger Energy Test

- Update per latest ASTM F 414-06
 - To accommodate lower aspect ratio and larger diameter tyres.
- Allow bottom-out of the plunger, without puncture of tyre, to count as a “pass”
- ASTM plans to petition NHTSA, by end of 2007, for revision to current standard

Road Map for Endurance/Low Pressure, Bead Unseating, and Plunger Energy Tests

