



**Economic and Social  
Council**

Distr.  
GENERAL

TRANS/WP.29/963  
23 January 2004

ENGLISH  
Original: ENGLISH AND FRENCH

---

**ECONOMIC COMMISSION FOR EUROPE**

INLAND TRANSPORT COMMITTEE

World Forum for Harmonization of Vehicle Regulations (WP.29)

CORRIGENDUM 1 TO SUPPLEMENT 15 TO THE 04 SERIES  
OF AMENDMENTS TO REGULATION No.16

(Safety belts)

Note: The text reproduced below was adopted by the Administrative Committee (AC.1) of the amended 1958 Agreement at its twenty-fifth session, following the recommendation by WP.29 at its one-hundred-and-thirty-first session. It is based on document TRANS/WP.29/2003/78, as amended (English and Russian only) (TRANS/WP.29/953, para. 104).

---

Annex 17 – appendix 2,

Paragraph 4, amend to read:

" .....

.....

B - ISO/F2 : Reduced-Height .....

B1 - ISO/F2X: Reduced-Height Forward Facing toddler CRS

C - ISO/R3 Full- Size .....

.....

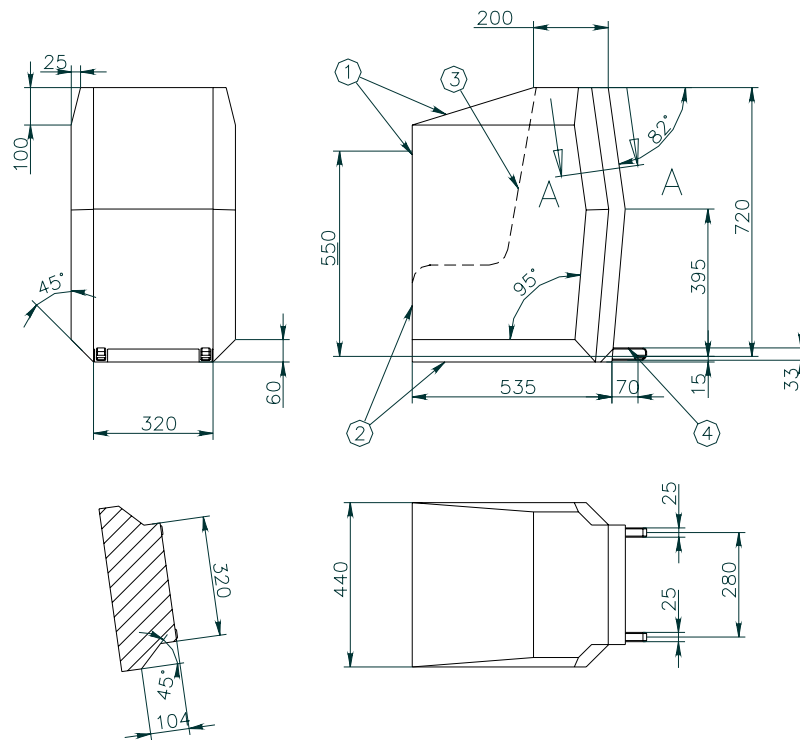
G - ISO/L2 Right Lateral Facing position CRS (carry-cot)

Mass group	ISOFIX size class	Fixture (CRF)
0 – up to 10 kg	F	ISO/L1
	G	ISO/L2
	E	ISO/R1
0+ - up to 13 kg	C	ISO/R3
	D	ISO/R2
	E	ISO/R1
I - 9 to 18 kg	A	ISO/F3
	B	ISO/
	B1	ISO/ F2X
	C	ISO/R3
	D	ISO/R2

"

Paragraphs 4.1. and 4.2., amend to read:

"4.1. Full-height forward-facing toddler child restraint systems envelope

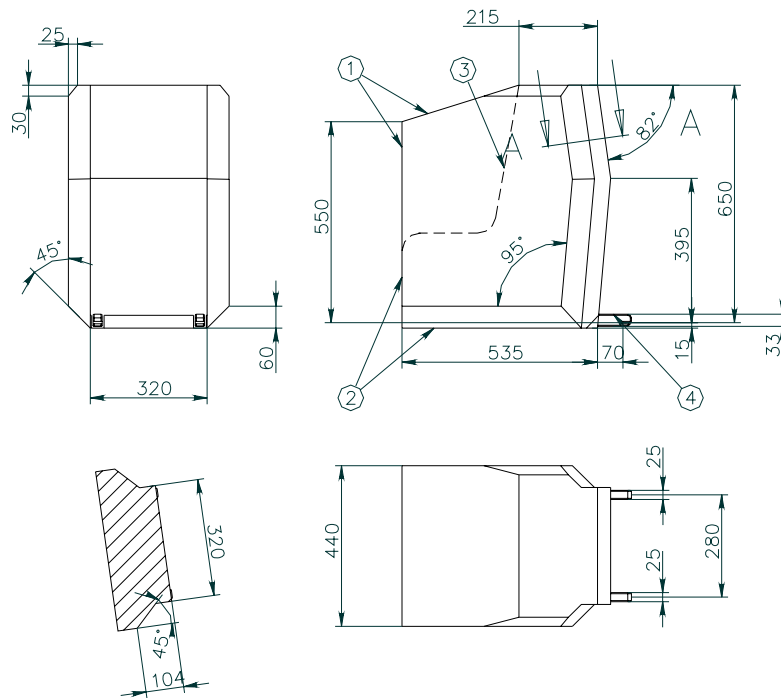


Key

- 1 Limits in the forward and upwards directions
- 2 Dashed line marks area where a support leg, or similar, is allowed to protrude
- 3 N/A
- 4 Further specifications of the connector area is given in Regulation No. 44

**Figure 1** – ISO/F3 envelope dimensions for a full-height forward-facing toddler CRS (height 720 mm) - ISOFIX SIZE CLASS A

## 4.2. Reduced-height forward-facing toddler child restraint systems envelope



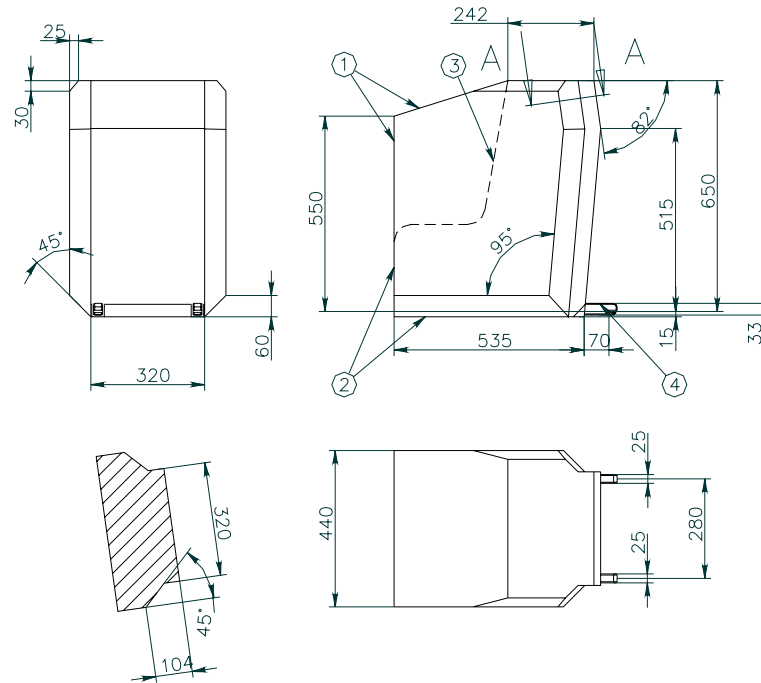
## Key

- 1 Limits in the forward and upwards directions
- 2 Dashed line marks area where a support leg, or similar, is allowed to protrude
- 3 N/A
- 4 Further specifications of the connector area is given in Regulation No. 44

**Figure 2** – ISO/F2 envelope dimensions for a reduced-height forward-facing toddler CRS, (height 650 mm) – ISOFIX SIZE CLASS B"

Insert a new paragraph 4.3., to read:

"4.3. Reduced-height second version back shape forward-facing toddler child restraint systems envelope



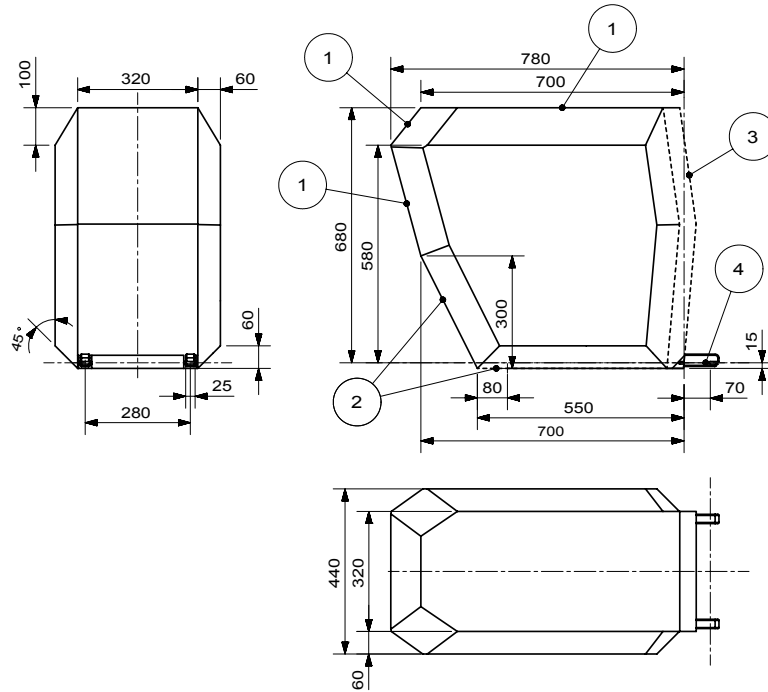
Key

- 1 Limits in the forward and upwards directions
- 2 Dashed line marks area where a support leg, or similar, is allowed to protrude
- 3 N/A
- 4 Further specifications of the connector area is given in Regulation No. 44

Figure 3 – ISO/F2X envelope dimensions for a reduced-height second version back surface shape forward-facing toddler CRS, (height 650 mm) – ISOFIX SIZE CLASS B1"

Paragraphs 4.3. to 4.6. (former), renumber as paragraphs 4.4. to 4.7., and amend to read:

"4.4. Full-size rearward facing toddler child restraint system envelope

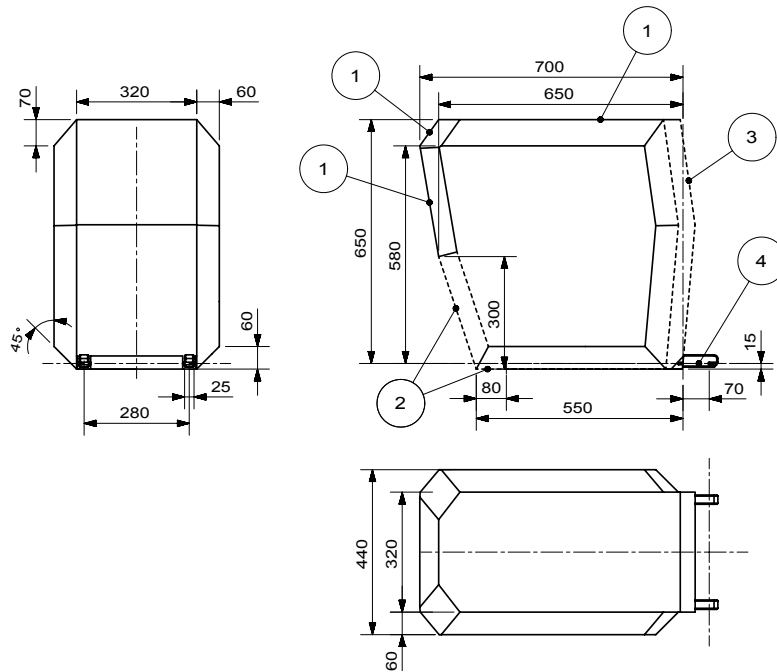


#### Key

- 1 Limits in the rearward and upwards directions
- 2 Dashed line marks area where a support leg, or similar, is allowed to protrude
- 3 The backwards limitation (to the right in the figure) is given by the forward-facing envelope in Figure 2
- 4 Further specifications of the connector area is given in Regulation No. 44

**Figure 4** – ISO/R3 envelope dimensions for a full-size rearward-facing toddler CRS – ISOFIX SIZE CLASS C

4.5. Reduced-size rearward-facing toddler child restraint systems envelope



Key

- 1 Limits in the rearward and upwards directions
- 2 Dashed line marks area where a support leg, or similar, is allowed to protrude
- 3 The backwards limitation (to the right in the figure) is given by the forward-facing envelope in Figure 2
- 4 Further specifications of the connector area is given in Regulation No. 44

Figure 5 – ISO/R2 envelope dimensions for a reduced-size rearward-facing toddler CRS – ISOFIX SIZE CLASS D

4.6. Rearward facing infant child restraint systems envelope

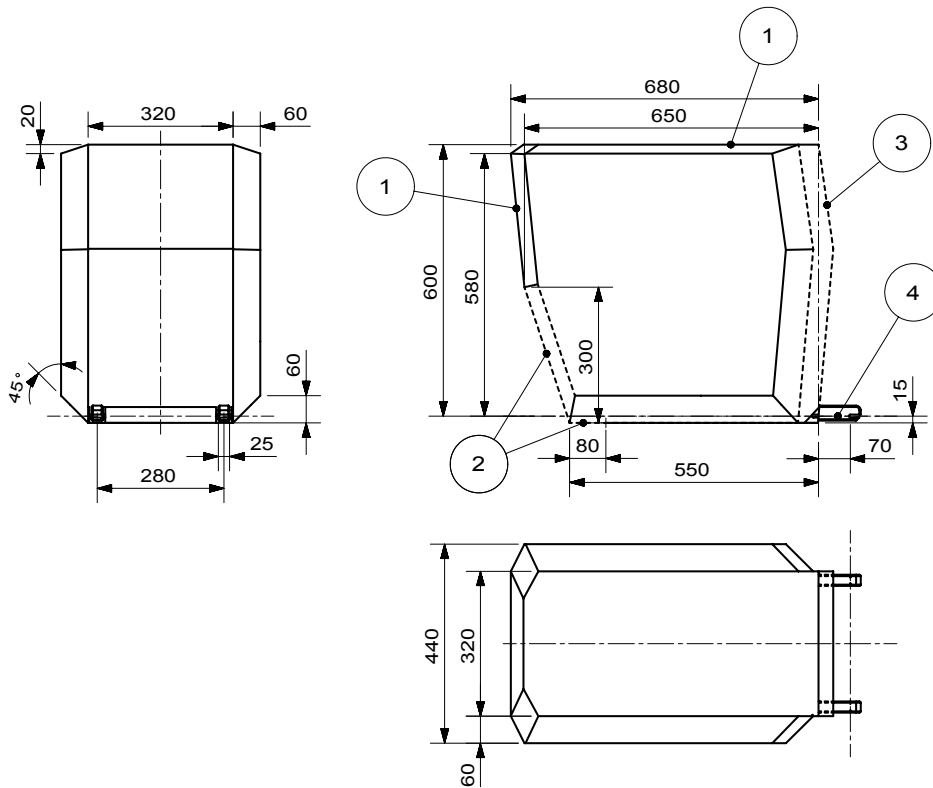


Figure 3 RF 1 Revised

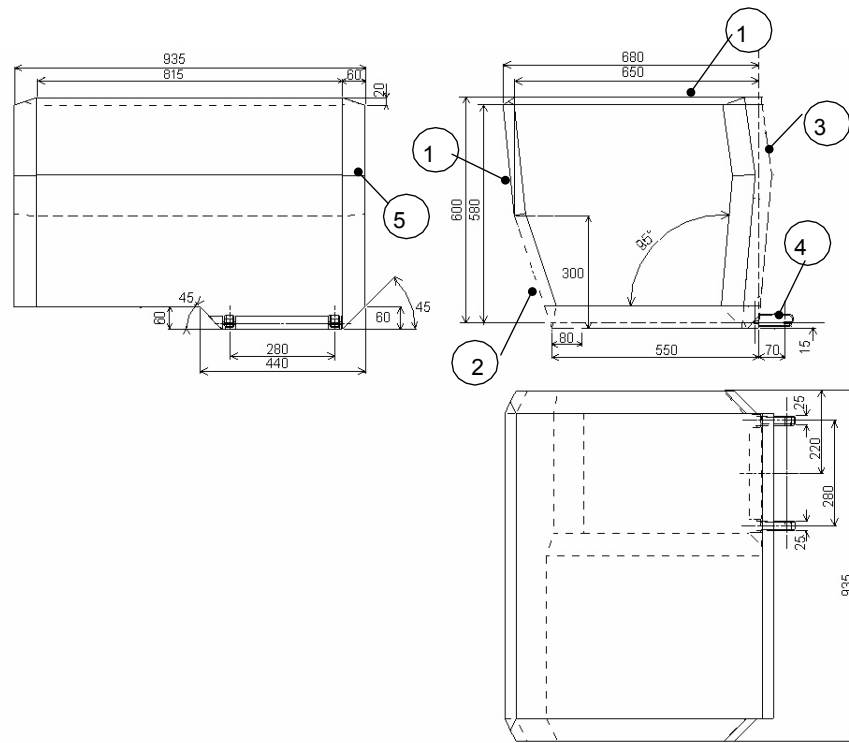
Key

- 1 Limits in the rearward and upward directions
- 2 Dashed line marks area where a support leg, or similar, is allowed to protrude
- 3 The backwards limitation (to the right in the figure) is given by the forward-facing envelope in Figure 2
- 4 Further specifications of the connector area is given in Regulation No. 44

**Figure 6** – ISO/R1 envelope dimensions for an infant-size rearward-facing CRS – ISOFIX SIZE CLASS E



4.7. Lateral facing child restraint systems envelope



Key

- 1 Limits in the rearward and upward directions
- 2 Dashed line marks area where a support leg, or similar, is allowed to protrude
- 3 The backward limitation (to the right in the figure) is given by the forward-facing envelope in Figure 2
- 4 Further specifications of the connector area is given in ISO 13216-1, Figures 2 and 3

Figure 7 – Envelop dimensions for lateral facing position CRS - ISO/L1-ISOFIX SIZE CLASS F or symmetrically opposite – ISO/L2 – ISOFIX CLASS G"

Annex 17, appendix 3 (new), table 2, amend to read (note (1) and key of letters to be inserted in the table remains):

"Table 2

TABLE OF VEHICLE HANDBOOK INFORMATION ON ISOFIX CHILD RESTRAINT SYSTEMS INSTALLATION SUITABILITY FOR VARIOUS ISOFIX POSITIONS

Mass Group	Size class	Fixture	Vehicle ISOFIX positions					
			Front Passenger	Rear Outboard	Rear Centre	Intermediate Outboard	Intermediate Centre	Other sites
carrycot	F	ISO/L1						
	G	ISO/L2						
		(1)						
0 - up to 10 Kg	E	ISO/R1						
		(1)						
0+ - up to 13 kg	E	ISO/R1						
	D	ISO/R2						
	C	ISO/R3						
		(1)						
I – 9 to 18 kg	D	ISO/R2						
	C	ISO/R3						
	B	ISO/F2						
	B1	ISO/F2X						
	A	ISO/F3						
		(1)						
II – 15 to 25 kg		(1)						
III – 22 to 36 kg		(1)						