

## **Proposal for a Supplement to the 02 Series of Amendments to UN Regulation No. 90**

Note: This proposal aims at addressing the issue concerning the approval number with Schedule 4 of Revision 3 of the 1958 Agreement

### **Proposal:**

Paragraph 4.2 amend to read

4.2. To each replacement part approved there shall be assigned an approval number **according to Schedule 4 to the Revision 3 of the 1958 Agreement wherein Section 3 of the Type Approval Number shall indicate the Test Group for** ~~comprising four groups of digits:~~

- A Replacement brake lining assembly**
- B Replacement drum brake lining**
- C Replacement brake disc**
- D Replacement brake drum**

**The variants approved as a Test Group shall be listed as an appendix to the communication document**

~~4.2.1. The first two digits (at present 02 for the Regulation in its 02 series of amendments) shall indicate the series of amendments incorporating the most recent major technical amendments made to the Regulation at the time of issue of the approval.~~

~~4.2.2. The following single digit shall indicate the category of the replacement part as follows:~~

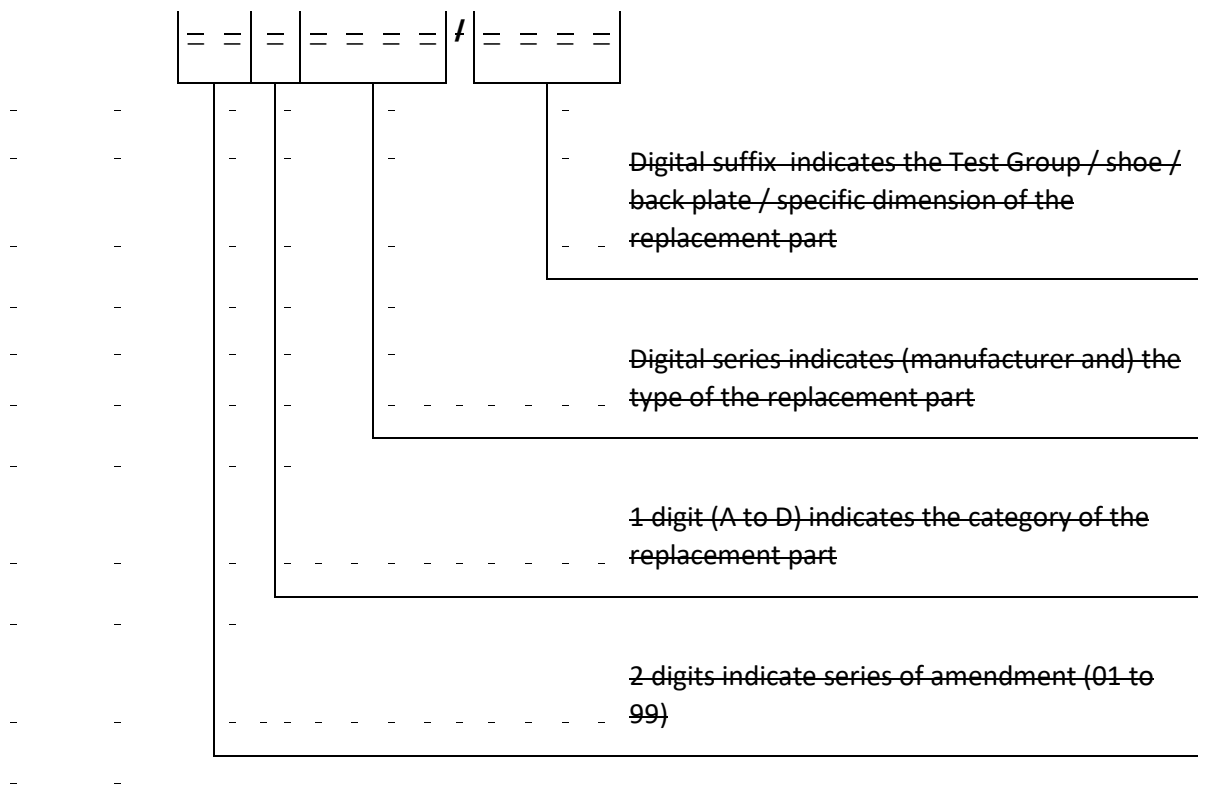
- ~~A Replacement brake lining assembly~~
- ~~B Replacement drum brake lining~~
- ~~C Replacement brake disc~~
- ~~D Replacement brake drum~~

4.2.3. The next series of digits shall indicate the manufacture and the type of the brake lining, the type of disc or the type of drum.

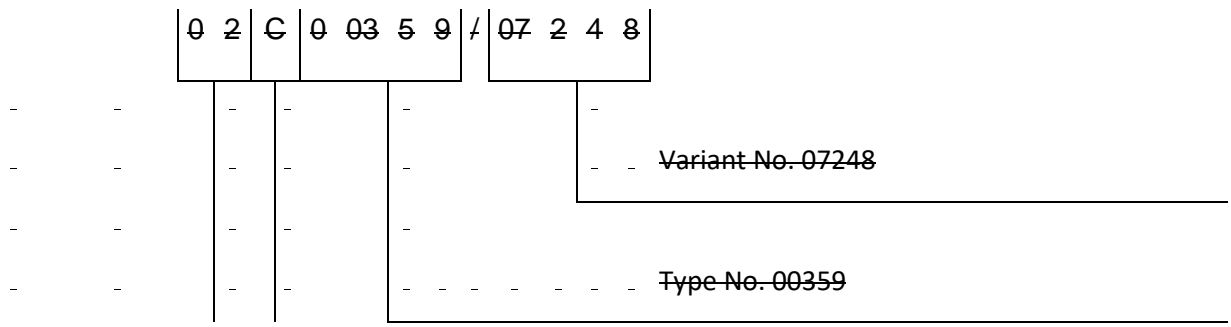
The digital suffix shall indicate

- (a) the shoe or back plate or specific dimension in the case of drum brake linings
- (b) the Test Group in the case of a replacement disc or replacement drum

The variants approved as a Test Group shall be listed as an appendix to the communication document



Example:



-	-	-
-	-	- - - - - Brake disc
-	-	-
-	-	- - - - - Amendment 02

4.3. The same Contracting Party may not assign the same number to another replacement part. The same type approval number may cover the use of that replacement part on a number of differing vehicle types.

4.4. Notice of approval or of extension or refusal of approval or withdrawal of approval or production definitely discontinued of a replacement part pursuant to this Regulation shall be communicated to the Parties to the 1958 Agreement which apply this Regulation by means of a form conforming to the model in Annex 1 to this Regulation.

4.5. **The Approval Number** There shall be affixed, conspicuously and in a readily accessible place, to every replacement part approved under this Regulation, ~~an international approval mark consisting of:~~

~~4.5.1. a circle surrounding the letter "E" followed by the distinguishing number of the country which has granted approval; 3/~~

~~4.5.2. the number of this Regulation, followed by the letter "R", a dash and the approval number to the right of the circle prescribed in paragraph 4.5.1.~~

4.6. The approval mark referred to in paragraph 4.5. above shall be clearly legible and be indelible.

4.7. Annex 2 to this Regulation gives examples of arrangements of the approval mark and approval data referred to above and in paragraph 6.5. below.