

**Suggestion for changes to ECE/TRANS/WP.29/GRSG/2018/17, proposed
amendments to UN Regulation No. 26 (External projection for passenger cars)
submitted by France**

Based on feedbacks from different experts and further detailed technical inputs concerning the working document ECE/TRANS/WP.29/GRSG/2018/17, the experts from France propose to amend the proposal as mentioned below. The additions and deletions are shown in **bold red** text to facilitate identification of these proposed changes within the existing proposal.

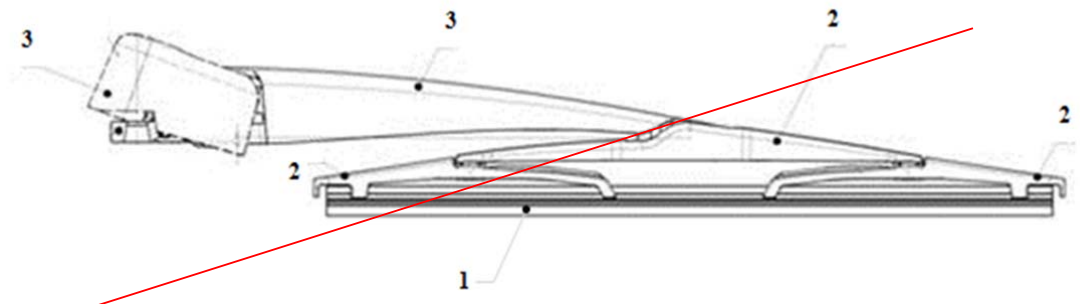
I. Proposal

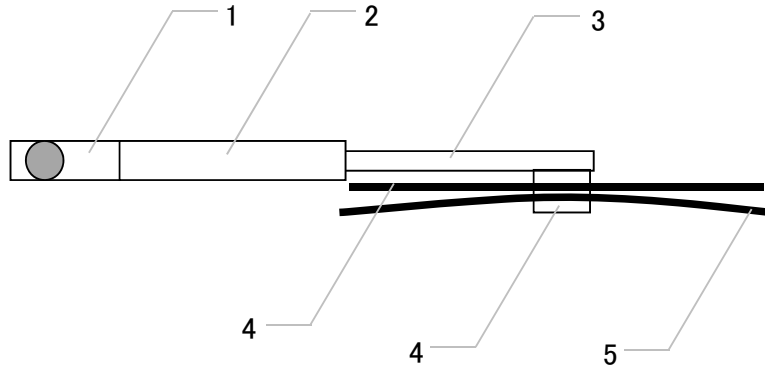
Text of the Regulation,

Paragraph 6.4., amend to read:

"6.4. Windscreen wipers

- 6.4.1. The windscreen wiper fittings shall be such that the wiper shaft **and the wiper holder (numbers 1, 2 [and 3] on figure 0) is are designed or** furnished with a protective casing **which has with** a radius of curvature meeting the requirements of paragraph 5.4. above and an end surface area of not less than 150 mm². In the case of rounded covers, these shall have a minimum projected area of 150 mm² when measured not more than 6.5 mm from the point projecting furthest. These requirements shall also be met by rear window wipers and headlamp wipers.
- 6.4.2. Paragraph 5.4. shall not apply to the wiper blades (**number 1 5 on figure 0**) or to any supporting members (**numbers 2 4 on figure 0**). However, these units shall be so made as to have no sharp angles or pointed or cutting parts.





- 1 – Wiper shaft (with protective casing)
- 2 – Wiper holder (with protective casing)
- 3 – Wiper holder (without protective casing)
- 4 – Supporting members
- 5 – Wiper blades

Figure 0 – Example of parts distribution"

II. Justification

In order to avoid any misunderstanding on which requirement apply to which part of the windscreen wiper, a simple generic drawing presenting the concerned areas seems to be the best way for a safe application. Geometrical requirements are only applicable on contactable parts (sphere protocol).
