

Transmitted by the expert from the India

Informal document GRE-79-21  
(79<sup>th</sup> GRE, 24 - 27 April 2018,  
agenda item 7(a))

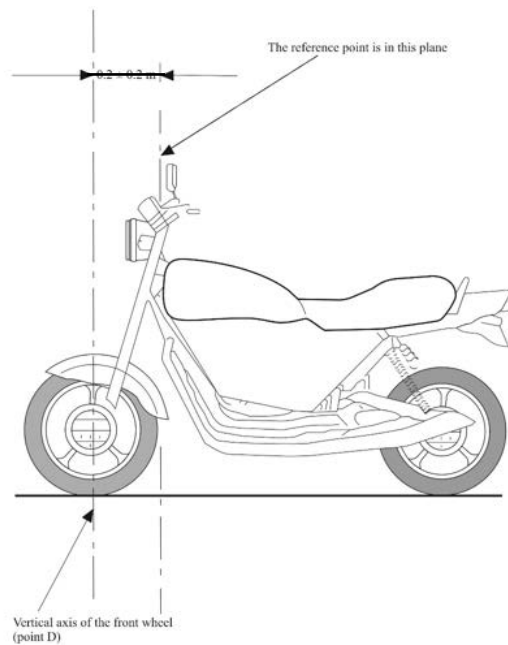
**India's comments submitted by the expert from India for the 06 series of amendments to Regulation No. 10 (Electromagnetic compatibility)**

**Document no ECE/TRANS/WP.29/GRE/2018/05**

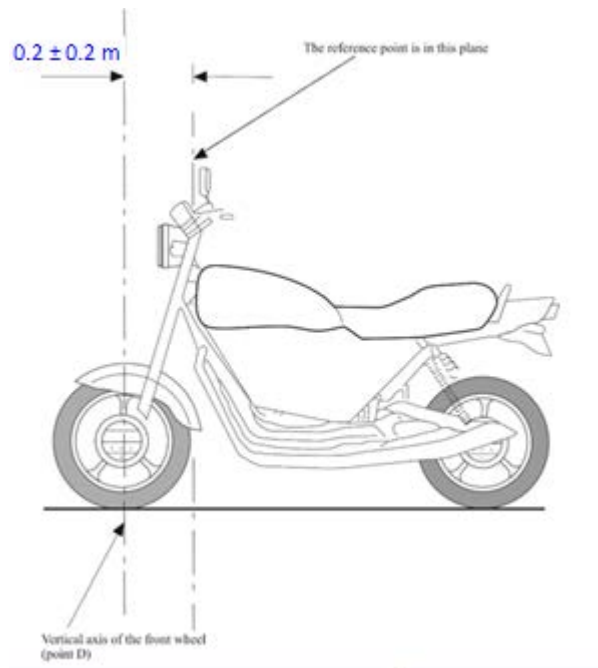
The text reproduced below was prepared by the experts from India to propose change in the UN Regulation 10 (Electromagnetic compatibility). This proposal is to change a figure as per EMC-TF document GRE-TF-EMC-12-06e R10.06\_Consolidated\_Rev4. India's proposals are marked in ~~strikethrough~~ for deletion of existing text and in ***bold italic text in blue colour*** for addition of new text.

## A. PROPOSAL

A1) Annex 6, Appendix 1, figure replace:



By



## B) Justification

To align as per Annex 6 – Appendix 1 figure 1 “Three wheeled vehicle” This was accepted in EMC-TF and was incorporated in in GRE-TF-EMC-12-06e R10.06\_Consolidated\_Rev. 4 dated 22.01.18

-----