

UN/SCETDG/49/INF.4/Add.4

UN/SCEGHS/31/INF.3/Add.4

**Committee of Experts on the Transport of Dangerous Goods
and on the Globally Harmonized System of Classification
and Labelling of Chemicals**

15 April 2016

**Sub-Committee of Experts on the
Transport of Dangerous Goods**

**Sub-Committee of Experts on the Globally Harmonized
System of Classification and Labelling of Chemicals**

Forty-ninth session

Geneva, 27 June – 6 July 2016

Item 10 (g) of the provisional agenda

**Issues relating to the Globally Harmonized System
of Classification and Labelling of Chemicals: Use
of the Manual of Tests and Criteria in the context
of the GHS**

Thirty-first session

Geneva, 5– 8 July 2016

Item 2 of the provisional agenda

**Joint work with the Sub-Committee of Experts on the
Transport of Dangerous Goods (TDG Sub-Committee)**

Revision of the Manual of Tests and Criteria: Parts III, IV and V (Chapters 30 to 51)

**Transmitted by the Chairman of the Working Group on Explosives on
behalf of the Working Group**

PART III

**CLASSIFICATION PROCEDURES,
TEST METHODS AND CRITERIA
RELATING TO VARIOUS HAZARD
CLASSES 2, CLASS 3, CLASS 4,
DIVISION 5.1, CLASS 8
AND CLASS 9**

CONTENTS OF PART III

NOTE 1: The country or organisation of origin of each test method is indicated in brackets after each test name.

NOTE 2: Unless otherwise specified, all test methods given in Part III of the Manual are recommended tests as only one test is given for each property.

<u>Section</u> <u>Chapter</u>	<u>Page</u>
30. INTRODUCTION TO PART III	
30.1 PURPOSE	
30.2 SCOPE	
31. CLASSIFICATION PROCEDURES, TEST METHODS AND CRITERIA RELATING TO FLAMMABLE AEROSOLS OF CLASS 2	
31.1 PURPOSE	
31.2 SCOPE	
31.3 CLASSIFICATION PROCEDURES FOR FLAMMABLE AEROSOLS	
31.4 IGNITION DISTANCE TEST FOR SPRAY AEROSOLS	
31.5 ENCLOSED SPACE IGNITION TEST	
31.6 AEROSOL FOAM FLAMMABILITY TEST	
32. CLASSIFICATION PROCEDURES, TEST METHODS AND CRITERIA RELATING TO LIQUID DESENSITIZED EXPLOSIVES AND FLAMMABLE LIQUIDS OF CLASS 3	
32.1 PURPOSE	
32.2 SCOPE	
32.3 CLASSIFICATION PROCEDURES	
32.4 TEST METHODS FOR DETERMINING FLASH POINT AND VISCOSITY	
32.5 TEST METHODS FOR DETERMINING SOLVENT SEPARATION AND SUSTAINED COMBUSTION	
32.5.1 Test L.1 Solvent separation test (UN)	
32.5.2 Test L.2 Sustained combustion test (UN)	
32.6 TEST METHODS USED FOR DETERMINING INITIAL BOILING POINT	
33. CLASSIFICATION PROCEDURES, TEST METHODS AND CRITERIA RELATING TO CLASS 4 FLAMMABLE SOLIDS, PYROPHORIC LIQUIDS AND SOLIDS, SELF-HEATING SUBSTANCES AND SUBSTANCES WHICH, IN CONTACT WITH WATER, EMIT FLAMMABLE GASES	
33.1 INTRODUCTION	
33.2 DIVISION 4.1	369
33.2+ FLAMMABLE SOLIDS	
33.2.1+ Purpose	
33.2.1-2 Scope	
33.2.1-3 Classification procedure for readily combustible solids	
33.2.1.4 Test N.1 Test method for readily combustible solids (UN)	
33.3-2 (Reserved)	

CONTENTS OF PART III (continued)

<u>Section</u> <u>Chapter</u>	Page
33.4 SOLID DESENSITIZED EXPLOSIVES OF DIVISION 4.1	
33.3 DIVISION 4.2	375
33.53.1 SUBSTANCES LIABLE TO SPONTANEOUS COMBUSTION.....	
33.53.1.1 Purpose	
33.53.1.2 Scope	
33.53.1.3 Classification procedure for substances liable to spontaneous combustion.....	
33.53.1.4 Test N.2 Test method for pyrophoric solids (UN).....	
33.53.1.5 Test N.3 Test method for pyrophoric liquids (UN).....	
33.53.1.6 Test N.4 Test method for self-heating substances (UN)	
33.4 DIVISION 4.3	382
33.64.1 SUBSTANCES WHICH IN CONTACT WITH WATER EMIT FLAMMABLE GASES.....	
33.64.1.1 Purpose	
33.64.1.2 Scope	
33.64.1.3 Classification procedure for substances which in contact with water emit flammable gases.....	
33.64.1.4 Test N.5 Test method for substances which in contact with water emit flammable gases (UN).....	
34. CLASSIFICATION PROCEDURES, TEST METHODS AND CRITERIA RELATING TO OXIDIZING SUBSTANCES OF DIVISION 5.1	
34.1 PURPOSE	
34.2 SCOPE	
34.3 CLASSIFICATION PROCEDURE	
34.4 TEST METHODS FOR OXIDIZING SUBSTANCES.....	
34.4.1 Test O.1 Test for oxidizing solids (UN).....	
34.4.2 Test O.2 Test for oxidizing liquids (UN).....	
34.4.3 Test O.3 Gravimetric test for oxidizing solids (UN).....	
35. DETERMINATION OF CHEMICAL INSTABILITY OF GASES AND GAS MIXTURES	
35.0 INTRODUCTION	
35.1 PURPOSE	
35.2 SCOPE	
35.3 CONCENTRATION LIMITS	
35.3.1 Generic concentration limits	
35.3.2 Specific concentration limits.....	
35.4 TEST METHOD.....	
35.4.1 Introduction	
35.4.2 Apparatus and material	
35.4.3 Test procedure	
35.4.4 Safety precautions.....	410

CONTENTS OF PART III (continued)

Section	Chapter	Page
35.4.5	Test criteria and method of assessing results	
36.	<i>Reserved for classification procedures, test methods and criteria relating to Class 7</i>	
37.	CLASSIFICATION PROCEDURES, TEST METHODS AND CRITERIA RELATING TO SUBSTANCES <u>CORROSIVE TO METALS</u> OF CLASS 8	
37.1	PURPOSE	
37.2	SCOPE	
37.3	CLASSIFICATION PROCEDURE	
37.4	TEST METHODS FOR CORROSION TO METALS	
37.4.1	Introduction	
37.4.1.1	Test C.1 Test for determining the corrosive properties of liquids and solids that may become liquid during transport as dangerous goods of Class 8, packing group III.	
37.4.2	Apparatus and material	
37.4.3	Procedure	
37.4.4	Test criteria and method of assessing results	
38.	CLASSIFICATION PROCEDURES, TEST METHODS AND CRITERIA RELATING TO <u>SUBSTANCES AND ARTICLES OF TRANSPORT</u> CLASS 9	
38.1	INTRODUCTION	
38.2	AMMONIUM NITRATE FERTILIZERS CAPABLE OF SELF-SUSTAINING DECOMPOSITION	
38.2.1	Purpose	
38.2.2	Scope	
38.2.3	Classification procedure	
38.2.4	Test S.1 "Trough" test for determination of the self-sustaining exothermic decomposition of fertilizers containing nitrates	
38.3	LITHIUM METAL AND LITHIUM ION BATTERIES	
38.3.1	Purpose	
38.3.2	Scope	
38.3.4	Procedure	
38.3.4.1	Test T.1 Altitude simulation	
38.3.4.2	Test T.2 Thermal test	
38.3.4.3	Test T.3 Vibration	
38.3.4.4	Test T.4 Shock	
38.3.4.5	Test T.5 External short circuit	
38.3.4.6	Test T.6 Impact	
38.3.4.7	Test T.7 Overcharge	
38.3.4.8	Test T.8 Forced discharge	

Comment [Ed1]: Since GHS recognises only category 1, this test may be considered « only for transport »

Comment [Ed2]: Only for transport

CONTENTS OF PART III (continued)

Section	Chapter	Page
38.4	SUBSTANCES EVOLVING FLAMMABLE VAPOUR	
38.4.1	Purpose	
38.4.2	Scope	
38.4.3	Classification procedure for substances liable to evolve flammable vapours	
38.4.4	Test U 1: Test method for substances liable to evolve flammable vapours	
38.4.4.1	Introduction	
38.4.4.2	Apparatus and materials.....	
38.4.4.3	Procedure	
38.4.4.4	Test criteria and method of assessing results	

SECTION 30

INTRODUCTION TO PART III

30.1 Purpose

30.1.1 Part III of the Manual presents the United Nations schemes for the classification of:

- (a) Flammable aerosols (see ~~section Chapter~~ 31 of this Manual and special provision 63 of Chapter 3.3 of the Model Regulations [and Chapter 2.3 of the GHS](#));
- (b) Flammable liquids and liquid desensitized explosives ~~of Class 3~~ (see ~~section Chapter~~ 32 of this Manual, ~~and~~ Chapter 2.3 of the Model Regulations [and Chapter 2.6 of the GHS](#));
- (c) ~~Readily combustible~~ Flammable solids and solid desensitized explosives ~~of Division 4.1~~ (see ~~sub-section~~ 33.2 of this Manual, ~~and~~ Chapter 2.4 of the Model Regulations [and Chapters 2.7 and 2.17 of the GHS](#));
- (d) Pyrophoric and self-heating substances ~~of Division 4.2~~ (see ~~sub-section~~ 33.3 of this Manual, ~~and~~ Chapter 2.4 of the Model Regulations [and Chapters 2.9, 2.10 and 2.11 of the GHS](#));
- (e) Substances which in contact with water emit flammable gases ~~of Division 4.3~~ (see ~~sub-section~~ 33.4 of this Manual, ~~and~~ Chapter 2.4 of the Model Regulations [and Chapter 2.12 of the GHS](#));
- (f) Oxidizing substances ~~of Division 5.1~~ (see ~~section Chapter~~ 34 of this Manual, ~~and~~ Chapter 2.5 of the Model Regulations [and Chapters 2.13 and 2.14 of the GHS](#));
- (g) Corrosive ~~properties of substances of class 8~~ (see ~~section Chapter~~ 37 of this Manual, ~~and~~ Chapter 2.8 of the Model Regulations [and Chapter 2.16 of the GHS](#));
- (h) Ammonium nitrate fertilizers capable of self-sustaining decomposition of Class 9 (see ~~sub-section~~ 38.2 of this Manual); and
- (i) Lithium cells and batteries of Class 9 (see ~~sub-section~~ 38.3 of this Manual).

30.1.2 ~~Part III contains some classification procedures, test methods and criteria which are also given in the Model Regulations. Sections 35 and 36 is are reserved, to allow for possible future developments, for Classes 6 and 7 respectively.~~

30.2 Scope

The appropriate classification procedure should be undertaken before a new product is offered ~~for transport~~. The producer or other applicant for classification of a new product should provide:

- (a) Adequate information concerning the names and characteristics of the substance or article;
- (b) The results of all relevant tests which have been done; and
- (c) The proposed classification with any subsidiary risk requirements.

SECTION CHAPTER 31

CLASSIFICATION PROCEDURES, TEST METHODS AND CRITERIA RELATING TO FLAMMABILITY OF AEROSOLS OF CLASS 2

31.1 Purpose

31.1.1 This ~~section chapter~~ presents the United Nations scheme for the classification of ~~flammable~~ aerosols as either flammable (Division 2.1 / Category 1 or 2) or non-flammable (Division 2.2 / Category 3). The text should be used in conjunction with the classification principles given in Chapters 2.2 and 3.3 (special provision 63) of the Model Regulations, Chapter 2.3 of the GHS, the flow charts given here in figures 31.1, 31.2 and 31.3 and the tests prescriptions given in ~~sub-sections~~ 31.4, 31.5 and 31.6 of this Manual.

31.1.2 The test procedures outlined here adequately assess the ~~relative flammability~~ hazards of ~~flammable~~ aerosols so that an appropriate classification can be made.

31.1.3 For the purposes of this section the following definitions apply:

Aerosols or aerosol dispensers are non-refillable receptacles ~~meeting the requirements of section 6.2.4 of the Model Regulations~~, made of metal glass or plastics and containing a gas, compressed, liquefied or dissolved under pressure, with or without a liquid, paste or powder, and fitted with a release device allowing the contents to be ejected as solid or liquid particles in suspension in a gas, as a foam, paste or powder or in a liquid state or in a gaseous state (for transport purposes the receptacles need to meet the requirements of section 6.2.4 of the Model Regulations);

Flammable components are flammable liquids, flammable solids or flammable gases and gas mixtures. This designation does not cover pyrophoric, self-heating or water-reactive substances.

NOTE 1: A flammable liquid means a liquid having a flash point of not more than 93 °C. Test methods for determining the flash point are given in ~~sub-section~~ 32.4 of this Manual;

NOTE 2: For the definition of flammable solids, see paragraph 2.4.2.2 of the Model Regulations and section 2.7.1 of the GHS. Classification procedures, test methods and criteria relating to flammable solids ~~of Division 4.1~~ are given in ~~sub-section~~ 33.2 of this Manual;

NOTE 3: A flammable gas is a gas having a flammable range with air at 20 °C and a standard pressure of 101.3 kPa.

31.2 Scope

31.2.1 Aerosols ~~offered for transport~~ shall be subjected to the classification procedures as set out in special provision 63 of Chapter 3.3 of the Model Regulations. Aerosols for supply and use shall be subjected to the classification scheme as set out in section 2.3.2 of the GHS. ~~and, for flammability, aerosols shall be subjected to the classification procedures as set out in this section chapter. The classification procedure shall be undertaken before a new product is offered for transport.~~

Comment [Ed3]: Alternative : Aerosols shall be subject to the classification procedures as set out in this Chapter

NOTE: Aerosols ~~dispensers~~ not submitted to flammability classification procedures in this sub-section shall be classified as extremely flammable (Category 1).

31.3 Classification procedure for ~~flammable~~ aerosols

31.3.1 Aerosols shall be classified as non-flammable, flammable or extremely flammable according to their heat of combustion and to their flammable component contents, as follows:

(a) The aerosol ~~product~~ is classified as extremely flammable (Division 2.1 / Category 1) if:

(i) ~~the product it~~ contains 85% or more flammable components and the chemical heat of combustion exceeds or is equal to 30 kJ/g or

~~(ii) if it meets the criteria for extreme flammability in 31.3.2 for spray aerosols or in 31.3.4 for foam aerosols; and~~

~~(b) the aerosol is classified as flammable (Division 2.1 / Category 2) if it meets the criteria for flammability in 31.3.2 for spray aerosols or in 31.3.4 for foam aerosols; and~~

~~(bc) The aerosol product is classified as non-flammable (Division 2.2 / Category 3) if it the product contains 1% or less flammable components and the chemical heat of combustion is less than 20 kJ/g.~~

31.3.2 In the case of spray aerosols the classification shall be made taking into account for the chemical heat of combustion and on the basis of the results of the ignition distance test (see section 31.4 of this Manual), as follows:

Comment [Ed4]: There was a comment : the exit points are clear in the flow chart. But these paragraphs aren't consistent with the flow chart

Comment [Ed5]: another comment was that the criteria should stay here and in 31.3.4

~~(a) If the chemical heat of combustion is less than 20 kJ/g:~~

~~(i) The aerosol is classified as flammable if ignition occurs at a distance equal or greater than 15 cm but less than 75 cm;~~

~~(ii) The aerosol is classified as extremely flammable if ignition occurs at a distance of 75 cm or more;~~

~~(iii) If no ignition occurs in the ignition distance test, the enclosed space test shall be performed and in this case, the aerosol is classified as flammable if the time equivalent is less than or equal to 300 s/m³ or the deflagration density is less than or equal to 300 g/m³; otherwise the aerosol is classified as non-flammable;~~

~~(b) If the chemical heat of combustion is equal to or more than 20 kJ/g, the aerosol is classified as extremely flammable if ignition occurs at a distance of 75 cm or more; otherwise the aerosol is classified as flammable.~~

31.3.3 The chemical heat of combustion shall be determined following one of the methods described in the following standards: ASTM D 240, ISO/FDIS 13943:1999 (E/F) 86.1 to 86.3 and NFPA 30B.

31.3.4 In the case of foam aerosols, the classification shall be made on the basis of the results of the foam flammability test (see sub-section 31.6 of this Manual).

~~(a) The aerosol product shall be classified as extremely flammable if:~~

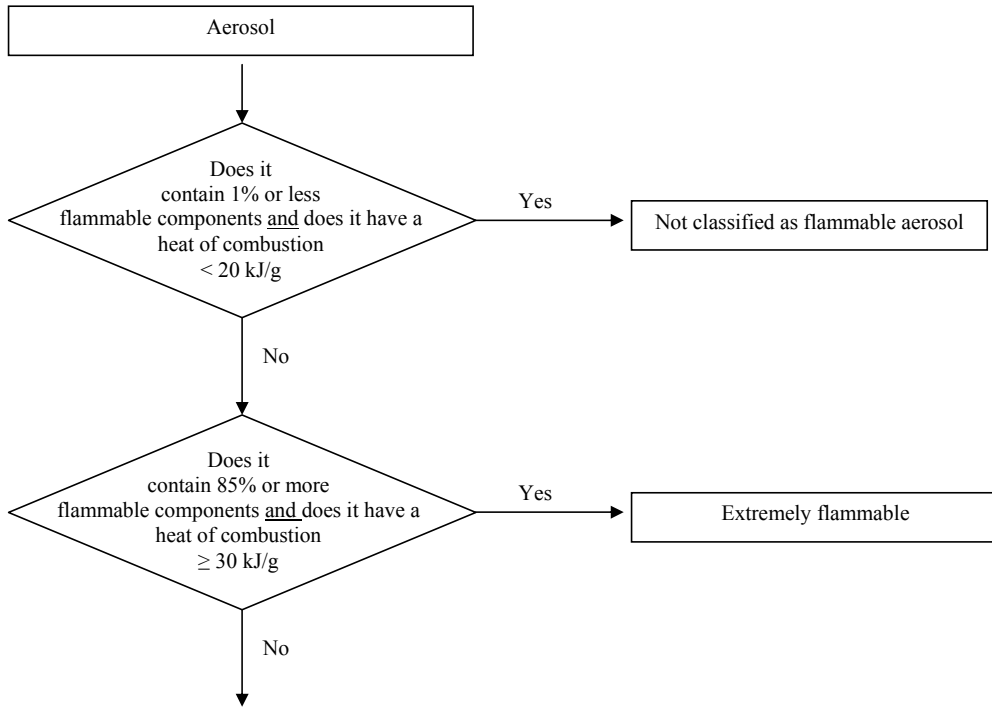
~~(i) the flame height is 20 cm or more and the flame duration is 2 s or more; or~~

~~(ii) the flame height is 4 cm or more and the flame duration is 7 s or more;~~

~~(b) The aerosol product which does not meet the criteria in (a) is classified as flammable if the flame height is 4 cm or more and the flame duration is 2 s or more.~~

31.3.5 The classification criteria procedure for aerosols, spray aerosols and foam aerosols is summarized in figures 31.1, 31.2 and 31.3 respectively.

FIGURE 31.1: OVERALL PROCEDURE FOR CLASSIFICATION OF FLAMMABLE AEROSOLS



For spray aerosols, go to Figure 31.2.
For foam aerosols, go to Figure 31.3.

FIGURE 31.2: PROCEDURE FOR CLASSIFICATION OF SPRAY AEROSOLS

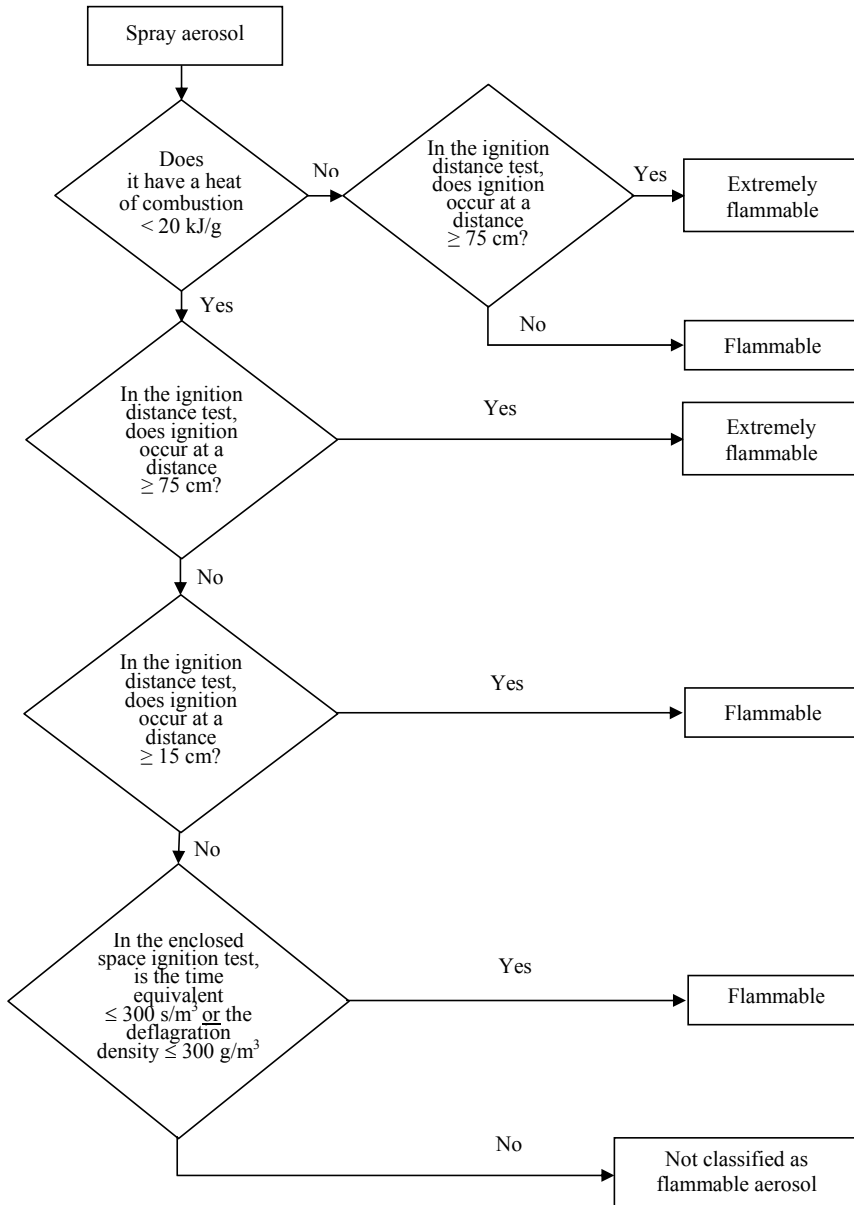
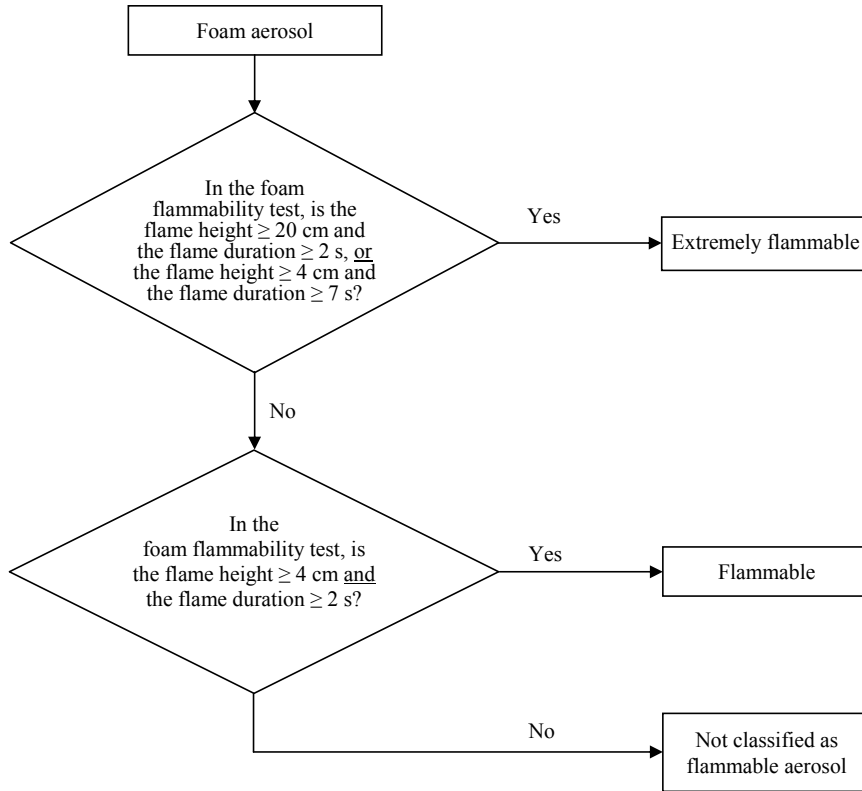


FIGURE 31.3: PROCEDURE FOR CLASSIFICATION OF FOAM AEROSOLS



31.4 Ignition distance test for spray aerosols

31.4.1 Introduction

31.4.1.1 This test standard describes the method to determine the ignition distance of an aerosol spray in order to assess the associated flame risk. The aerosol is sprayed in the direction of an ignition source at intervals of 15 cm to observe if ignition and sustained combustion of the spray takes place. Ignition and sustained combustion is defined as when a stable flame is maintained for at least 5 s. The ignition source is defined as a gas burner with a blue, non-luminous flame 4-5 cm in height.

31.4.1.2 This test is applicable to aerosol products with a spray distance of 15 cm or more. Aerosol products with a spray distance of less than 15 cm such as dispensing foams, mousses, gels and pastes or fitted with a metering valve, are excluded from this test. Aerosol products that dispense foams, mousses, gels or pastes are subject to testing under the aerosol foam flammability test.

31.4.2 Apparatus and material

31.4.2.1 The following apparatus is required:

Water bath maintained at 20 °C	accurate to ± 1 °C
Calibrated laboratory scales (balance)	accurate to ± 0.1 g
Chronometer (stopwatch)	accurate to ± 0.2 s
Graduated scale, support and clamp	graduations in cm
Gas burner with support and clamp	
Thermometer	accurate to ± 1 °C
Hygrometer	accurate to ± 5%
Pressure gauge	accurate to ± 0.1 bar

31.4.3 Procedure

31.4.3.1 *General requirements*

31.4.3.1.1 Before testing, each aerosol dispenser shall be conditioned and then primed by discharging for approximately 1 s. The purpose of this action is to remove non-homogeneous material from the diptube.

31.4.3.1.2 The instructions of use shall be strictly followed, including whether the dispenser is intended to be used in the upright or inverted position. When shaking is required, shake immediately before testing.

31.4.3.1.3 The test shall be carried out in a draught-free environment capable of ventilation, with the temperature controlled at 20 °C ± 5 °C and relative humidity in the range 30 - 80%.

31.4.3.1.4 Each aerosol dispenser is to be tested:

- (a) When full according to the complete procedure, with the gas burner in the range of 15 - 90 cm distance from the actuator of the aerosol can;
- (b) When 10 - 12% full nominal (% by mass) only one test, either at 15 cm distance from the actuator when the spray from a full can did not ignite at all, or at the flame ignition distance of the spray of a full can plus 15 cm.

31.4.3.1.5 During the test, the can shall be positioned as indicated by label instructions. The ignition source shall be positioned accordingly.

31.4.3.1.6 The following procedure requires testing the spray at intervals of 15 cm between the burner flame and the aerosol actuator, in the range of 15 - 90 cm. It is efficient to start at 60 cm distance between burner flame and aerosol actuator. The distance between burner flame and aerosol actuator shall be increased by 15 cm in the case of an ignition of the spray at 60 cm distance. The distance shall be decreased by 15 cm in the case of no ignition at 60 cm distance between burner flame and aerosol actuator. The aim of the procedure is to determine the maximum distance between

aerosol actuator and burner flame that leads to sustained combustion of the spray or to determine that ignition could not be obtained at 15 cm distance between the burner flame and the aerosol's actuator.

31.4.3.2 *Test procedure*

- (a) A minimum of 3 full aerosol dispensers per product shall be conditioned to $20\text{ }^{\circ}\text{C} \pm 1\text{ }^{\circ}\text{C}$ with at least 95% of the dispenser immersed in the water for at least 30 min before each test (if the aerosol is fully immersed, 30 min conditioning is sufficient);
- (b) Comply with general requirements. Record the temperature and relative humidity of the environment;
- (c) Weigh an aerosol dispenser and note its mass;
- (d) Determine the internal pressure and initial discharge rate at $20\text{ }^{\circ}\text{C} \pm 1\text{ }^{\circ}\text{C}$ (to eliminate faulty or partly filled aerosol dispensers);
- (e) Support the gas burner on a flat horizontal surface or fix the burner to a support by means of a clamp;
- (f) Ignite the gas burner; the flame shall be non-luminous and approximately 4-5 cm high;
- (g) Place the actuator's exit orifice at the required distance from the flame. The aerosol shall be tested in the position it is designed to be used, e.g. upright or inverted;
- (h) Level the actuator's orifice and burner flame, ensuring that the orifice is properly directed towards and aligned with the flame (see Figure 31.4.1). The spray shall be expelled through the top half of the flame;
- (i) Comply with the general requirements regarding shaking of the dispenser;
- (j) Actuate the valve of the aerosol dispenser, to discharge its contents for 5 s, unless ignition occurs. If ignition occurs, continue discharging and time the duration of the flame for 5 s, from the start of ignition;
- (k) Note the ignition results for the distance between the gas burner and the aerosol dispenser in the table provided;
- (l) If no ignition occurs during step (j), the aerosol shall be tested in alternative orientations, e.g. inverted for upright use products, to check if ignition is obtained;
- (m) Repeat steps (g) to (l) twice more (a total of 3) for the same can at the same distance between the gas burner and the aerosol actuator;
- (n) Repeat the test procedure for another two aerosol cans of the same product at the same distance between gas burner and aerosol actuator;
- (o) Repeat steps (g) to (n) of the test procedure at a distance between 15 and 90 cm between the actuator of the aerosol can and the burner flame depending on the outcome of each test (see also 31.4.3.1.4 and 31.4.3.1.5);
- (p) If no ignition occurs at 15 cm, the procedure is finished for initially full cans. The procedure is also finished when ignition and sustained combustion is obtained at a distance of 90 cm. If ignition could not be obtained at 15 cm distance, record that ignition did not occur. The maximum distance between burner flame and the aerosol's actuator for which an ignition and sustained combustion was observed is noted as the "ignition distance", in all other circumstances;

- (q) One test shall also be conducted on 3 cans of 10 - 12% nominal fill level. These cans shall be tested at a distance between the aerosol's actuator and the burner flame of "the flame ignition distance of full cans + 15 cm";
- (r) Discharge an aerosol can to a 10 - 12% nominal fill level (by mass) in bursts of 30 s maximum. Observe a 300 s minimum time period between bursts. During this interim period dispensers shall be placed in the water bath for conditioning;
- (s) Repeat steps (g) to (n) for 10 - 12% nominal fill aerosol cans, omitting steps (l) and (m). This test shall only be performed with the aerosol in one position, e.g. upright or inverted, corresponding with that which produced the ignition (if any) for filled cans;
- (t) Record all results in the Table 31.4 as shown below.

31.4.3.2.1 All experiments shall be performed in a fume hood in a room that may be well ventilated. Ventilation of the fume hood and room can be applied for at least 3 min after each test. Take all necessary safety precautions to prevent the inhalation of combustion products.

31.4.3.2.2 The cans with a 10 - 12% nominal fill level shall be tested only once. The result tables need only one result per can indicated.

31.4.3.2.3 When the test in the position in which the dispenser is designed to be used gives a negative result, the test shall be repeated in the position of the dispenser most likely to result in a positive result.

31.4.4 Test criteria and method of assessing results

31.4.4.1 All the results shall be recorded. Table 31.4 below shows the model of "result table" to be used.

Table 31.4: MODEL OF "RESULT TABLE"

Date		Temperature °C			Relative humidity %		
Name of product							
Net volume		Can 1		Can 2		Can 3	
Initial level of filling		%		%		%	
Dispenser distance	Test	1	2	3	1	2	3
15 cm	Ignition? Y or N						
30 cm	Ignition? Y or N						
45 cm	Ignition? Y or N						
60 cm	Ignition? Y or N						
75 cm	Ignition? Y or N						
90 cm	Ignition? Y or N						
Observations – including can position							

31.4.4.2 Spray aerosols shall be classified ~~as flammable, extremely flammable or non flammable~~ according to the following criteria:

<u>Criteria</u>	<u>UN Model Regulations Division</u>	<u>GHS Category</u>
<u>Ignition occurs at a distance of 75 cm or more, regardless of the heat of combustion</u>	<u>2.1</u>	<u>1</u>
<u>Ignition occurs at a distance of less than 75 cm, with a chemical heat of combustion equal to or more than 20 kJ/g</u>	<u>2.1</u>	<u>2</u>
<u>Ignition occurs at a distance equal or greater than 15 cm but less than 75 cm, with a chemical heat of combustion less than 20 kJ/g</u>	<u>2.1</u>	<u>2</u>
<u>No ignition occurs in the ignition distance test and the chemical heat of combustion is less than 20 kJ/g</u>	<u>Perform enclosed space ignition test described in section 31.5</u>	

~~(a) An aerosol with a chemical heat of combustion less than 20 kJ/g is classified as flammable if ignition occurs at a distance equal or greater than 15 cm but less than 75 cm;~~

~~(b) An aerosol with a chemical heat of combustion less than 20 kJ/g is classified as extremely flammable if ignition occurs at a distance of 75 cm or more;~~

~~(c) If for an aerosol with a chemical heat of combustion less than 20 kJ/g, no ignition occurs in the ignition distance test, the enclosed space ignition test described in sub-section 31.5 of this Manual shall be performed;~~

~~(d) An aerosol with a chemical heat of combustion equal to or more than 20 kJ/g is classified as extremely flammable if ignition occurs at a distance of 75 cm or more. Otherwise the aerosol is classified as flammable.~~

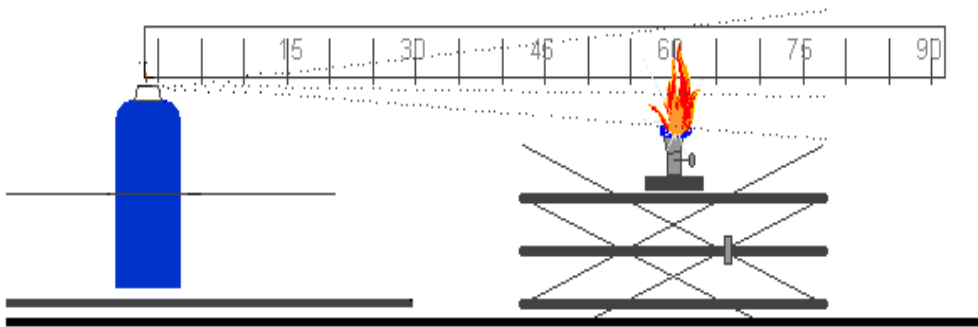


Figure 31.4.1: SYSTEM FOR IGNITION DISTANCE TEST

31.5 Enclosed space ignition test

31.5.1 Introduction

31.5.1.1 This test standard describes the method to assess the flammability of products emerging from aerosol dispensers due to their propensity to ignite in an enclosed or confined space. The contents of an aerosol dispenser are sprayed into a cylindrical test vessel containing a burning candle. If an observable ignition occurs, the elapsed time and amount discharged is noted.

31.5.2 Apparatus and material

31.5.2.1 The following apparatus is required:

Chronometer (stopwatch)	accurate to ± 0.2 s
Water bath maintained at 20 °C	accurate to ± 1 °C
Calibrated laboratory scales (balance)	accurate to ± 0.1 g
Thermometer	accurate to ± 1 °C
Hygrometer	accurate to $\pm 5\%$
Pressure gauge	accurate to ± 0.1 bar
Cylindrical test vessel	as detailed below

31.5.2.2 *Preparation of test apparatus*

31.5.2.2.1 A cylindrical vessel approximately 200 dm³ (55 gallons) volume, approximately 600 mm in diameter and approximately 720 mm long and open at one end shall be modified as follows:

- (a) A closure system consisting of a hinged cover should be matched to the open end of the receptacle; or
- (b) A plastic film 0.01 to 0.02 mm thick may be used as a closure system. If the test is carried out with a plastic film this must be used as described below:

Stretch the film over the open end of the drum and hold it in place with an elastic band. The strength of the band shall be such that when placed around the drum resting on its side, it stretches by only 25 mm when a mass of 0.45 kg is attached to its lowest point. Cut a 25 mm slit in the film, starting 50 mm from the edge of the drum. Ensure that the film is taut;
- (c) At the other end of the drum drill a 50 mm diameter hole 100 mm from the edge in such a way that the orifice is uppermost when the receptacle is laid down and ready for the test (Figure 31.5.1);
- (d) On a 200 × 200 mm metal support place a paraffin wax candle 20 to 40 mm in diameter and 100 mm high. The candle shall be replaced when having a height of less than 80 mm. The candle's flame is protected from the action of the spray by a 150 mm wide, 200 mm high deflector. This includes the plane inclined at 45° produced 150 mm from the base of the deflector (Figure 31.5.2);
- (e) The candle placed on the metal support shall be positioned midway between the two ends of the drum (Figure 31.5.3);
- (f) The drum is laid on the ground or on a support at a spot where the temperature is between 15 °C and 25 °C. The product to be tested will be sprayed within the drum of roughly 200 dm³ in which there will be a source of ignition.

31.5.2.2.2 Usually, the product leaves the aerosol can at an angle of 90° relevant to the vertical axis of the can. The layout and procedure described refers to this kind of aerosol product. In the case of unusually operating aerosols (e.g. vertical-spray aerosol dispensers) it will be necessary to record changes to equipment and procedures in

accordance with good laboratory practice, such as ISO/IEC 17025:1999 General requirements for the competence of testing and calibration laboratories.

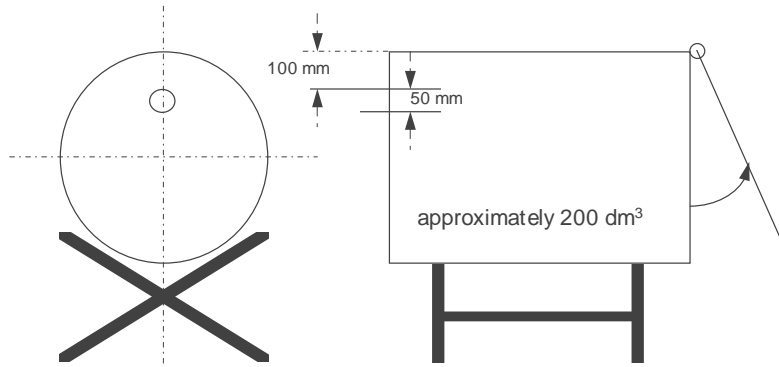


Figure 31.5.1: DRUM FOR ENCLOSED SPACE IGNITION TEST

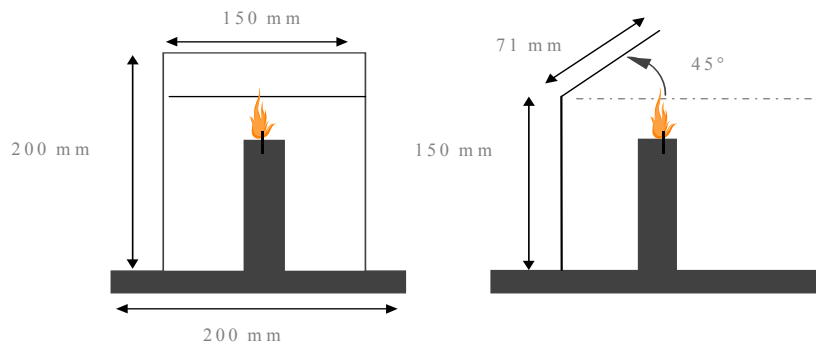


Figure 31.5.2: CANDLE FOR ENCLOSED SPACE IGNITION TEST

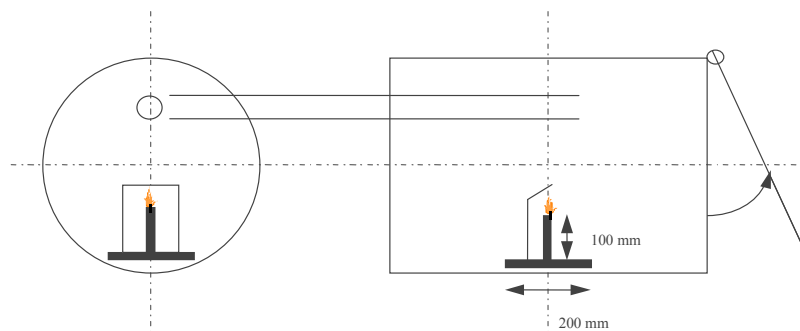


Figure 31.5.3: CANDLE ON ITS METAL SUPPORT

31.5.3 *Procedure*

31.5.3.1 *General requirements*

31.5.3.1.1 Before testing, each aerosol dispenser shall be conditioned and then primed by discharging for approximately 1 second. The purpose of this action is to remove non-homogeneous material from the diptube.

31.5.3.1.2 The instructions of use shall be strictly followed, including whether the dispenser is intended to be used in the upright or inverted position. When shaking is required, shake immediately before testing.

31.5.3.1.3 The tests shall be carried out in a draught-free environment capable of ventilation, with the temperature controlled at $20\text{ }^{\circ}\text{C} \pm 5\text{ }^{\circ}\text{C}$ and relative humidity in the range 30 - 80%.

31.5.3.2 *Test procedure*

- (a) A minimum of 3 full aerosol dispensers per product shall be conditioned to $20\text{ }^{\circ}\text{C} \pm 1\text{ }^{\circ}\text{C}$ in a water bath with at least 95% of the dispenser immersed in the water for at least 30 min (if the aerosol is fully immersed, 30 min conditioning is sufficient);
- (b) Measure or calculate the actual volume of the drum in dm^3 ;
- (c) Comply with general requirements. Record the temperature and relative humidity of the environment;
- (d) Determine the internal pressure and initial discharge rate at $20\text{ }^{\circ}\text{C} \pm 1\text{ }^{\circ}\text{C}$ (to eliminate faulty or partly filled aerosol dispensers);
- (e) Weigh one of the aerosol dispensers and note its mass;
- (f) Light the candle and apply the closure system (cover or plastic film);
- (g) Place the aerosol dispenser actuator orifice 35 mm or closer for a wide spray product, from the centre of the entrance hole in the drum. Start the chronometer (stopwatch) and following the instructions for use of the product; direct the spray towards the centre of the opposite extremity (cover or plastic film). The aerosol shall be tested in the position it is designed to be used, e.g. upright or inverted;
- (h) Spray until ignition occurs. Stop the chronometer and note the time elapsed. Re-weigh the aerosol dispenser and note its mass;
- (i) Ventilate and clean the drum removing any residue likely to affect subsequent tests. Allow the drum to cool if necessary;
- (j) Repeat the test procedure steps (d) to (i) for another two aerosol dispensers of the same product (3 in total, note: each dispenser is only tested once);

31.5.4 *Test criteria and method of assessing results*

31.5.4.1 A test report containing the following information shall be drawn up:

- (a) The product tested and its references;
- (b) The internal pressure and discharge rate of the aerosol dispenser;
- (c) The temperature and relative air humidity of the room;
- (d) For each test, the discharge time (s) needed to achieve ignition (if the product does not ignite, state this);

- (e) The mass of the product sprayed during each test (in g);
(f) The actual volume of the drum (in dm³).

31.5.4.2 The time equivalent (t_{eq}) needed to achieve ignition in one cubic metre can be calculated as follows:

$$t_{eq} = \frac{1000 \times \text{discharge time (s)}}{\text{Actual volume of drum (dm}^3\text{)}}$$

31.5.4.3 The deflagration density (D_{def}) needed to achieve ignition during the test may also be calculated as follows:

$$D_{def} = \frac{1000 \times \text{Amount of product dispensed (g)}}{\text{Actual volume of drum (dm}^3\text{)}}$$

31.5.4.4 ~~An~~ **Spray** aerosols with a chemical heat of combustion less than 20 kJ/g for which no ignition occurs in the ignition distance test (see sub-section 31.4 of this Manual) ~~is~~ shall be classified according to the following criteria: ~~as flammable if the time equivalent is less than or equal to 300 s/m³ or the deflagration density is less than or equal to 300 g/m³. Otherwise the aerosol is classified as non-flammable.~~

<u>Criteria</u>	<u>UN Model Regulations Division</u>	<u>GHS Category</u>
<u>Time equivalent is less than or equal to 300 s/m³ or the deflagration density is less than or equal to 300 g/m³</u>	<u>2.1</u>	<u>2</u>
<u>Time equivalent is more than 300 s/m³ or the deflagration density is more than 300 g/m³</u>	<u>2.2</u>	<u>3</u>

31.6 Aerosol foam flammability test

31.6.1 Introduction

31.6.1.1 This test standard describes the method to determine the flammability of an aerosol spray emitted in the form of a foam, mousse, gel or paste. An aerosol, which emits a foam, mousse, gel or paste is sprayed (approx. 5 g) on a watchglass and an ignition source (candle, wax taper, match or lighter) is placed at the base of the watchglass to observe if ignition and sustained combustion of the foam, mousse, gel or paste occurs. Ignition is defined as a stable flame maintained for at least 2 s and a minimum 4 cm in height.

31.6.2 Apparatus and material

31.6.2.1 The following apparatus is required:

Graduated scale, support and clamp	(graduations in cm)
Fire-resistant watchglass roughly 150 mm in diameter	
Chronometer (stopwatch)	(accurate to ± 0.2 s)
Candle, wax taper, match or lighter	
Calibrated laboratory scales (balance)	(accurate to ± 0.1 g)
Water bath maintained at 20 °C	(accurate to ± 1 °C)
Thermometer	(accurate to ± 1 °C)
Hygrometer	(accurate to ± 5%)
Pressure gauge	(accurate to ± 0.1 bar)

31.6.2.2 The watchglass is placed on a fire-resistant surface within a draught-free area that may be ventilated after each test. The graduated scale is positioned exactly behind the watchglass and held vertically by means of a support and clamp.

31.6.2.3 The scale is positioned in such a way that its origin is on a level with the watchglass base in a horizontal plane.

31.6.3 Procedure

31.6.3.1 General requirements

31.6.3.1.1 Before testing, each aerosol dispenser shall be conditioned and then primed by discharging for approximately 1 second. The purpose of this action is to remove non-homogeneous material from the diptube.

31.6.3.1.2 The instructions of use shall be strictly followed, including whether the dispenser is intended to be used in the upright or inverted position. When shaking is required, shake immediately before testing.

31.6.3.1.3 The tests shall be carried out in a draught-free environment capable of ventilation, with the temperature controlled at $20\text{ }^{\circ}\text{C} \pm 5\text{ }^{\circ}\text{C}$ and relative humidity in the range of 30–80%.

31.6.3.2 Test procedure

- (a) A minimum of four full aerosol dispensers per product shall be conditioned to $20\text{ }^{\circ}\text{C} \pm 1\text{ }^{\circ}\text{C}$ with at least 95% of the dispenser immersed in the water for at least 30 min before each test (if the aerosol is fully immersed, 30 min conditioning is sufficient);
- (b) Comply with general requirements. Record the temperature and relative humidity of the environment;
- (c) Determine the internal pressure at $20\text{ }^{\circ}\text{C} \pm 1\text{ }^{\circ}\text{C}$ (to eliminate faulty or partly filled aerosol dispensers);
- (d) Measure the discharge or flow rate of the aerosol product to be examined, so that the amount of test product dispensed can be more accurately gauged;
- (e) Weigh one of the aerosol dispensers and note its mass;
- (f) On the basis of the measured discharge or flow rate and following the manufacturer's instructions, release approximately 5 g of the product onto the centre of the clean watchglass with the aim of producing a mound no higher than 25 mm;
- (g) Within 5 s of completion of discharge, apply the source of ignition to the edge of the sample at its base and at the same time start the chronometer (stopwatch). If necessary, the ignition source shall be removed from the edge of the sample after approximately two seconds, in order to clearly observe if ignition has occurred. If no ignition of the sample is apparent, the ignition source shall be reapplied to the edge of the sample;
- (h) If ignition occurs note the following points:
 - (i) The maximum height of the flame in cm above the base of the watchglass;
 - (ii) The flame duration in s;
 - (iii) Dry and re-weigh the aerosol dispenser and calculate the mass of the released product;
- (i) Ventilate the test area immediately after each test;
- (j) If ignition is not obtained and the released product remains in the form of a foam or paste throughout its period of use, steps (e) to (i) should be repeated. Allow the product to stand for 30 s, 1 min, 2 min or 4 min before applying the ignition source;
- (k) Repeat the test procedure steps (e) to (j) twice more (a total of 3) for the same can;

- (l) Repeat the test procedure steps (e) to (k) for another two aerosol cans (3 cans in total) of the same product.

31.6.4 *Test criteria and method of assessing results*

31.6.4.1 A test report containing the following information shall be drawn up:

- (a) Whether the product ignites;
- (b) Maximum flame height in cm;
- (c) Duration of flame in s;
- (d) The mass of the product tested.

31.6.4.2 ~~The Foam aerosols~~ product shall be classified according to the following criteria: ~~as extremely flammable if the flame height is 20 cm or more and the flame duration is 2 s or more; or if the flame duration is 7 s or more and the flame height is 4 cm or more.~~

<u>Criteria</u>	<u>UN Model Regulations Division</u>	<u>GHS Category</u>
<u>Flame height is 20 cm or more and the flame duration is 2 s or more</u>	<u>2.1</u>	<u>1</u>
<u>Flame height is 4 cm or more and the flame duration is 7 s or more</u>	<u>2.1</u>	<u>1</u>
<u>Flame height is 4 cm or more and the flame duration is 2 s or more</u>	<u>2.1</u>	<u>2</u>
<u>Flame height is 4 cm or less and the flame duration is 2 s or less (if any)</u>	<u>2.2</u>	<u>3</u>

SECTION-CHAPTER 32

**CLASSIFICATION PROCEDURES, TEST METHODS AND
CRITERIA RELATING TO LIQUID DESENSITIZED EXPLOSIVES
AND FLAMMABLE LIQUIDS ~~OF CLASS 3~~**

32.1 Purpose

This ~~section chapter~~ presents the United Nations scheme for the classification of liquid desensitized explosives and flammable liquids ~~of (Class 3 / Categories 1 to 4). (see Chapter 2.3 of the Model Regulations).~~ The text should be used in conjunction with the classification principles given in Chapter 2.3 of the Model Regulations, [Chapter 2.6 of the GHS](#) and the test methods given in ~~sub~~ sections 32.4 and 32.5 of this Manual. [Note 2 to paragraph 2.1.2.2 of the GHS should also be taken into consideration.](#)

32.2 Scope

32.2.1 Liquid desensitized explosives are explosive substances which are dissolved or suspended in water or other liquid substances, to form a homogeneous liquid mixture to suppress their explosive properties (see 2.3.1.4 of the Model Regulations).

32.2.2 ~~Substances~~ are ~~listed in this class~~ classified as flammable liquids only when their flash point is not more than 60 °C in a closed-cup test, or not more than 65.6 °C in an open-cup test or, in the case of substances transported or offered for transport at elevated temperatures, when they give off a flammable vapour at a temperature at or below the maximum transport temperature. However, liquids with a flash point of more than 35 °C ~~and not more than 60 °C may be regarded as non-flammable for some regulatory purposes (e.g. transport) if they, which~~ do not sustain combustion ~~(i.e. negative results have been obtained in the sustainability test L.2 in sub-section 32.5.2 of this Manual); need not to be considered as flammable liquids for the purposes of the Model Regulations.~~

Comment [Ed6]: Comment : This is not consistent with ghs, which sets a threshold of 93C for flammable liquids.

32.2.3 Flammable liquids listed ~~by name in the dangerous goods list of~~ (Chapter 3.2 of the Model Regulations) ~~in this class by name~~ should be regarded as chemically pure. In practice, goods shipped under the name of such substances are often commercial products which contain other added substances or impurities. Therefore, it may occur that liquids which are not included in the list because their flash point in their pure state is more than 60 °C in a closed-cup test, or more than 65.6 °C in an open-cup test, may be ~~offered for transport~~ classified as “generic” or “not otherwise specified” ~~dangerous goods~~ commercial products with a flash point at or below that limit. Moreover, liquids which would be listed, in their pure state, in packing group III / [Category 3](#) could in fact be included in packing group II / [Category 2 when offered](#) as commercial products because of the presence of added substances or impurities.

32.2.4 For these reasons caution should be exercised when using the lists, as they are only guides. In the event of doubt, the flash point ~~of substances~~ should be tested experimentally.

32.2.5 Liquids are considered to be unable to sustain combustion ~~for the purposes of the Model Regulations~~ (i.e. they do not sustain combustion under defined test conditions) if they ~~have passed~~ yield negative results when [submitted to](#) a suitable combustibility test (see section 32.5.2) or if their fire point, according to ISO 2592, is greater than 100 °C or if they are miscible solutions with a water content of more than 90% by mass.

32.3 Classification procedures

32.3.1 Flammable liquids

32.3.1.1 Table 32.1 should be used for the determination of the hazard grouping of a liquid ~~that presents a risk~~ due to flammability.

Table 32.1: HAZARD GROUPING BASED ON FLAMMABILITY

<u>Criteria</u>	<u>UN Model Regulations Packing group</u>	<u>GHS Category</u>
<u>Flash point < 23 °C and initial boiling point ≤ 35 °C</u>	<u>I</u>	<u>1</u>
<u>Flash point < 23 °C and initial boiling point > 35 °C</u>	<u>II</u>	<u>2</u>
<u>Flash point ≥ 23 °C and ≤ 60 °C and initial boiling point > 35 °C</u>	<u>III</u>	<u>3</u>
<u>Flash point > 60 °C and ≤ 93 °C</u>	<u>Not applicable</u>	<u>4</u>

Note: the criterion of initial boiling point > 35 °C for Packing group III / Category 3 is currently not used in GHS.

32.3.1.2 For liquids whose only ~~risk-hazard~~ is flammability, the packing group for the substance is shown ~~in the hazard grouping shown~~ in Table 32.1.

32.3.1.3 For a liquid with additional ~~risk(s)hazard characteristics~~, the ~~hazard-packing~~ group determined from Table 32.1 and the ~~hazard-packing~~ group based on the severity of the additional ~~risk(s)hazard characteristics~~ should be considered. In such cases, the table of precedence of hazard characteristics in Chapter 2.0, section 2.0.3 of the Model Regulations, should be used to determine the correct classification of the liquid. The ~~hazard-grouping-packing group~~ indicating the highest degree of danger based on the different ~~risks-hazard characteristics~~ of a substance then becomes the packing group for ~~the-such a~~ substance.

~~Table 32.1: HAZARD GROUPING BASED ON FLAMMABILITY~~

Packing Group	Flash Point (Closed-cup)	Initial Boiling Point
I	—	≤ 35 °C
II	< 23 °C	> 35 °C
III	≥ 23 °C, ≤ 60 °C	> 35 °C

32.3.2 *Liquid desensitized explosives*

32.3.2.1 This sub-section presents the ~~United Nations~~Model Regulations scheme for the classification of liquid desensitized explosives ~~as flammable liquids~~ of Class 3 (see paragraph 2.3.1.4 of the Model Regulations ~~and note 2 to paragraph 2.1.1.1 of the GHS~~). Liquid desensitized explosives are substances which are dissolved or suspended in water or other liquid substances to form a homogeneous liquid mixture ~~in order~~ to suppress their explosives properties.

~~32.3.2.2 ~~New products which are thermally stable and have, or are suspected of having, explosive properties should first be considered for Class 1 and the Class 1 acceptance procedure and, if necessary, the assignment procedure applied.~~~~

Comment [Ed7]: This paragraph does not seem to be suitable for desensitized explosives, the new product refers to the (unsensitized) explosive.

32.3.2.3~~2~~ Where a substance ~~meets the criteria for classification as an explosive~~is assigned to Class 1 but is diluted to be exempted from ~~this Class-class 1~~ by test series 6 (see section 16), this diluted substance, when meeting the classification criteria or definition for another ~~hazard class-or division~~, should be classified in that class ~~or division~~ at the highest concentration which exempts it from ~~the class of explosives-Class 1~~. When sufficiently diluted, such substances may be deemed to be non-dangerous ~~for some regulatory purposes (e.g. transport)~~ (see also paragraph 2.1.3.5~~6~~.3 of the Model Regulations).

32.3.2.4 The classification scheme of liquid desensitized explosives for supply and use (including storage) according to the Globally Harmonized System of Classification and Labelling of Chemicals (GHS) is referred to section 51.

32.4 Test methods used for determining flash point and viscosity

32.4.1 Tests for ~~Non~~non-viscous flammable liquids

The following methods for determining the flash point of flammable liquids may be used:

International standards:

ISO 1516
ISO 1523
ISO 2719
ISO 13736
ISO 3679
ISO 3680

National standards:

American Society for Testing Materials International, 100 Barr Harbor Drive, PO Box C700, West Conshohocken, Pennsylvania, USA 19428-2959:

ASTM D3828-07a, Standard Test Methods for Flash Point by Small Scale Closed Cup Tester
ASTM D56-05, Standard Test Method for Flash Point by Tag Closed Cup Tester
ASTM D3278-96(2004)e1, Standard Test Methods for Flash Point of Liquids by Small Scale Closed-Cup Apparatus
ASTM D93-08, Standard Test Methods for Flash Point by Pensky-Martens Closed Cup Tester

Association française de normalisation, AFNOR, 11, rue de Pressensé, 93571 La Plaine Saint-Denis Cedex:

French Standard NF M 07 - 019
French Standards NF M 07 - 011 / NF T 30 - 050 / NF T 66 - 009
French Standard NF M 07 - 036

Deutsches Institut für Normung, Burggrafenstr. 6, D-10787 Berlin:

Standard DIN 51755 (flash points below 65 °C)

State Committee of the Council of Ministers for Standardization, 113813, GSP, Moscow, M-49 Leninsky Prospekt, 9:

GOST 12.1.044-84.

32.4.2 Tests for ~~Viscous~~viscous flammable substances with a flash point of less than 23 °C

32.4.2.1 The hazard group of paints, enamels, lacquers, varnishes, adhesives, polishes and other viscous flammable ~~liquids~~ ~~substances of Class 3~~ with a flash point of less than 23 °C is determined as per sub-section 2.3.2.2 of the Model Regulations by reference to:

- (a) The viscosity expressed as the flow-time in seconds (see 32.4.3);
- (b) The closed-cup flash point (see 32.4.2.2); and
- (c) A solvent separation test (see 32.5.1).

32.4.2.2 The closed-cup flash point is determined according to ~~the ISO method~~ ISO 1523:1983 for paints and varnishes. Where the temperature of the flash point is too low for the use of water in the water bath, the following modifications should be made:

- (a) Use ethylene glycol in the water bath or other suitable similar container;

- (b) Where appropriate, a refrigerator may be used to cool the sample and apparatus to below the temperature required by the method for the expected flash point. For lower temperatures, the sample and equipment should be cooled to a suitable temperature - for example, by adding of solid carbon dioxide slowly to the ethylene glycol, the sample being similarly cooled in a separate container of ethylene glycol;
- (c) In order to obtain reliable flash points, it is important that the recommended rate of temperature rise for the sample during testing is not exceeded. Depending on the size of the water bath and the amount of ethylene glycol it contains, it may be necessary partially to insulate the water bath to achieve a sufficiently slow rate of temperature rise.

32.4.3 *Viscosity test*

The flow-time in seconds is determined at 23 °C using the ISO standard cup with a 4 mm jet (ISO 2431:1984). Where the flow-time exceeds 100 seconds, a second test is carried out using the ISO standard cup with a 6 mm jet.

32.5 **Test methods for determining solvent separation and sustained combustion**

32.5.1 *Test L.1: Solvent separation test*

32.5.1.1 *Introduction*

This test is used to determine the extent of solvent separation in viscous liquids such as paints, enamels, varnishes, adhesives and polishes with a flash point of less than 23 °C.

32.5.1.2 *Apparatus and materials*

A stoppered 100 ml measuring cylinder is required of approximately 25 cm total height and of a uniform internal diameter of approximately 3 cm over the calibrated section.

32.5.1.3 *Procedure*

The paint should be stirred to obtain a uniform consistency and poured in up to the 100 ml mark. The stopper should be inserted and the cylinder left standing undisturbed for 24 hours. After 24 hours, the height of the upper separated layer should be measured.

32.5.1.4 *Test criteria and method of assessing results*

The height of the upper separated layer should be expressed as a percentage of the total height of the sample. If less than 3% of clear solvent separates out then the substance may be considered for inclusion in packing group III (see [2.3.2.2 of the Model Regulations](#)) or may not be subject to the Model Regulations (see [2.3.2.5 of the Model Regulations](#)) ~~32.3.1.6 and 32.3.1.7~~.

32.5.2 *Test L.2: Sustained combustibility test*

32.5.2.1 *Introduction*

This test is used to determine if a substance sustains combustion when heated under the test conditions and exposed to a flame. A metal block with a concave depression (sample well) is heated to a specified temperature. A specified volume of the substance under test is transferred to the well and its ability to sustain combustion is noted after application and subsequent removal of a standard flame under specified conditions.

32.5.2.2 *Apparatus and materials*

32.5.2.2.1 A combustibility tester is used consisting of a block of aluminium alloy or other corrosion resistant metal of high thermal conductivity. The block has a concave well and a pocket drilled to take a thermometer. A small

gas jet assembly on a swivel is attached to the block. The handle and gas inlet for the gas jet may be fitted at any convenient angle to the gas jet. ~~A suitable apparatus is shown in Figure 32.5.2.1 and the e~~Essential diagrams ~~for a suitable apparatus~~ are given in figures 32.5.2.1 and 32.5.2.2. The following apparatus is also required:

- (a) *Gauge*, for checking that the height of the centre of the gas jet above the top of the sample well is 2.2 mm (see Figure 32.5.2.1);
- (b) *Thermometer*, mercury in glass, for horizontal operation, with a sensitivity not less than 1 mm/°C, or other measuring device of equivalent sensitivity permitting reading at 0.5 °C intervals. When in position in the block, the thermometer bulb should be surrounded with thermally conducting thermoplastic compound;
- (c) *Hotplate*, fitted with a temperature-control device (Other types of apparatus with suitable temperature-control facilities may be employed to heat the metal block.);
- (d) *Stopwatch*, or other suitable timing device;
- (e) *Syringe*, capable of delivering 2.0 ml to an accuracy of ± 0.1 ml;
- (f) *Fuel*, butane.

32.5.2.2.2 The sample should be representative of the substance to be tested and should be supplied and kept in a tightly closed container prior to the test. Because of the possibility of loss of volatile constituents, the sample should receive only the minimum treatment to ensure its homogeneity. After removing each test portion, the sample container should be immediately closed tightly to ensure that no volatile components escape from the container; if this closure is incomplete, an entirely new sample should be taken.

32.5.2.3 Procedure

32.5.2.3.1 It is essential that the apparatus is set up in a completely draught-free area¹ and in the absence of strong light to facilitate observation of flash, flame, etc.

32.5.2.3.2 Place the metal block on the hotplate or heat the metal block by other suitable means so that its temperature, as indicated by the thermometer placed in the metal block, is maintained at the specified temperature within a tolerance of ± 1 °C. The test temperature is 60.5 °C or 75 °C (see 32.5.2.3.8). Correct this temperature for the difference in barometric pressure from the standard atmospheric pressure (101.3 kPa) by raising the test temperature for a higher pressure, or lowering the test temperature for a lower pressure, by 1.0 °C for each 4 kPa difference. Ensure that the top of the metal block is exactly horizontal. Use the gauge to check that the jet is 2.2 mm above the top of the well when in the test position.

32.5.2.3.3 Light the butane with the jet away from the test position (i.e. in the "off" position, away from the well). Adjust the size of the flame so that it is 8 mm to 9 mm high and approximately 5 mm wide.

32.5.2.3.4 Using the syringe, take from the sample container at least 2 ml of the sample and rapidly transfer a test portion of 2.0 ml ± 0.1 ml to the well of the combustibility tester and immediately start the timing device.

32.5.2.3.5 After a heating time of 60 s, by which time the test portion is deemed to have reached its equilibrium temperature, and if the test fluid has not ignited, swing the test flame into the test position over the edge of the pool of liquid. Maintain it in this position for 15 s and then return it to the "off" position whilst observing the behaviour of the test portion. The test flame should remain alight throughout the test.

32.5.2.3.6 The test should be performed in triplicate. For each test observe and record:

- (a) Whether there is ignition and sustained combustion or flashing, or neither, of the test portion before the test flame is moved into the test position; and

¹ **Warning - do not carry out the test in a small confined area (for example, a glove box) because of the hazard of explosions.**

- (b) Whether the test portion ignites while the test flame is in the test position, and, if so, how long combustion is sustained after the test flame is returned to the "off" position.

32.5.2.3.7 If sustained combustion, interpreted in accordance with 32.5.2.4, is not found, repeat the complete procedure with new test portions, but with a heating time of 30 s.

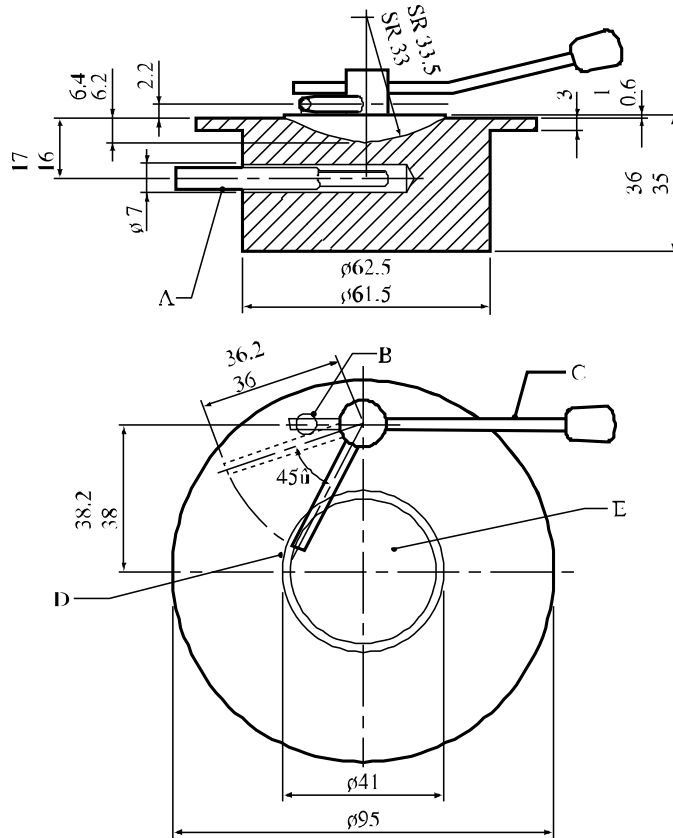
32.5.2.3.8 If sustained combustion, interpreted in accordance with 32.5.2.4, is not found at a test temperature of 60.5 °C, repeat the complete procedure with new test portions, but at a test temperature of 75 °C.

32.5.2.4 *Test criteria and method of assessing results*

The substance should be assessed either as not sustaining combustion or as sustaining combustion. Sustained combustion should be reported at either of the heating times or temperatures if one of the following occurs with any of the test portions:

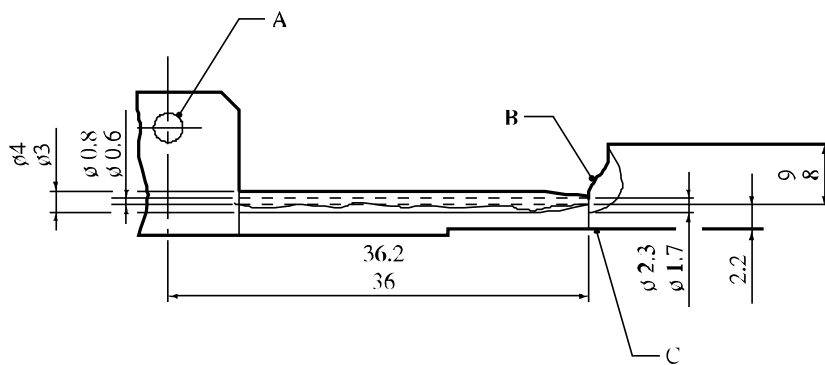
- (a) When the test flame is in the "off" position, the test portion ignites and sustains combustion; or
- (b) The test portion ignites while the test flame is in the test position, maintained for 15 s, and sustains combustion for more than 15 s after the test flame has been returned to the "off" position.

Intermittent flashing should not be interpreted as sustained combustion. Normally, at the end of 15 s, the combustion has either clearly ceased or continues. In cases of doubt, the substance should be deemed to sustain combustion.



- (A) Thermometer
- (B) Stop
- (C) Handle
- (D) Test gas jet
- (E) Sample well

Figure 32.5.2.1: COMBUSTIBILITY TESTER



-
- (A) Butane gas inlet
 - (B) Test flame
 - (C) Sample well
-

Figure 32.5.2.2: TEST GAS JET AND FLAME

32.6 Test methods used for determining initial boiling point

The following methods for determining the initial boiling point of flammable liquids may be used:

International standards:

ISO 3924
ISO 4626
ISO 3405

National standards:

American Society for Testing Materials International, 100 Barr Harbor Drive, PO Box C700, West Conshohocken, Pennsylvania, USA 19428-2959:

ASTM D86-07a, Standard Test Method for Distillation of Petroleum Products at Atmospheric Pressure

ASTM D1078-05, Standard Test Method for Distillation Range of Volatile Organic Liquids

Further acceptable methods:

Method A.2 as described in Part A of the Annex to Commission Regulation (EC) No 440/2008².

² Commission Regulation (EC) No 440/2008 of 30 May 2008 laying down test methods pursuant to Regulation (EC) No 1907/2006 of the European Parliament and of the Council on the Registration, Evaluation, Authorisation and Restriction of Chemicals (REACH) (Official Journal of the European Union, No. L 142 of 31.05.2008, p.1-739 and No. L 143 of 03.06.2008, p.55) .

SECTION 33

CLASSIFICATION PROCEDURES, TEST METHODS AND CRITERIA RELATING TO FLAMMABLE SOLIDS, SUBSTANCES LIABLE TO SPONTANEOUS COMBUSTION AND SUBSTANCES WHICH, IN CONTACT WITH WATER, EMIT FLAMMABLE GASES ~~CLASS 4~~

33.1 Introduction

This section of the Manual contains classification procedures, test methods and criteria relating to flammable solids, solid desensitized explosives, pyrophoric liquids and solids, self-heating substances and substances which, in contact with water, emit flammable gases, ~~substances (except self-reactive substances of Division 4.1, see Part II) and articles of Class 4.~~

~~33.2~~ ~~Division 4.1~~

~~33.2.1~~ *Flammable solids*

~~33.2.1.1~~ *Purpose*

~~33.2.1.1~~ Section ~~33.2.1.3~~ presents the United Nations scheme for the classification of readily combustible solids of Division 4.1 (see [Chapter 2.4](#), sub-section 2.4.2.2 of the Model Regulations [and Chapter 2.7 of the GHS](#)). The text should be used in conjunction with the classification principles given in [Chapter 2.4](#), paragraphs 2.4.2.2.2 and 2.4.2.2.3 of the Model Regulations, [Chapter 2.7, paragraph 2.7.2 of the GHS](#), the flow chart given in Figure ~~33.2.1.3~~ and the test prescription given ~~here~~ in ~~33.2.1.4~~.

~~33.2.1.2~~ In order to differentiate between substances that can be ignited and those which burn rapidly, or whose burning behaviour is particularly dangerous, only substances whose burning rate exceeds a certain limiting value are classified in [the class of flammable solids](#) ~~Division 4.1~~.

~~33.2.1.3~~ The test procedures outlined here ~~and in the Model Regulations~~ adequately assess the relative hazard of readily combustible solids so that an appropriate classification ~~for transport~~ can be made.

~~33.2.1.2~~ *Scope*

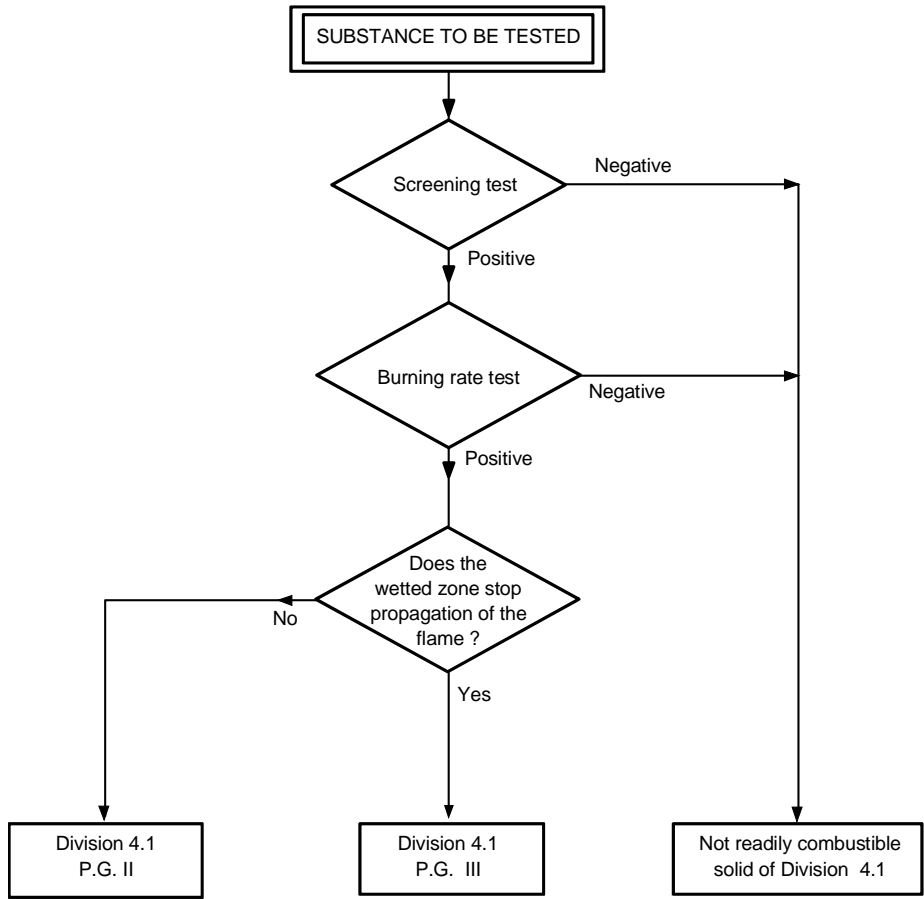
~~33.2.1.2.1~~ Products ~~offered for transport~~ should be [classified according to the criteria subjected to the classification procedures as set out in Chapter 2.4](#), paragraphs 2.4.2.2.2 and 2.4.2.2.3 of the Model Regulations [and Chapter 2.7, paragraph 2.7.2](#), unless it is impracticable (e.g. because of the physical form) to perform the tests. Substances ~~or articles~~ which cannot be tested should be classified by analogy with existing entries (see paragraph 2.4.2.2.2 of the Model Regulations). ~~The classification procedure should be undertaken before a new product is offered for transport.~~

~~33.2.1.3~~ *Classification procedure for ~~readily combustible~~ flammable solids*

~~33.2.1.3.1~~ A preliminary screening test is performed to determine if, on ignition by a gas flame, propagation by burning with flame or smouldering occurs. If propagation occurs within a specified time then the full test is carried out to determine the rate and vigour of burning.

~~33.2.1.3.2~~ The tests should only be applied to granular, paste-like or powdery substances. If in the screening test, the substance does not ignite and propagate combustion either by burning with flame or smouldering, it is not necessary to perform the complete burning rate test as the substance is not a readily combustible solid ~~of Division 4.1~~. If propagation occurs and the burning time is less than a specified time, the full burning rate test should be performed. Whether the substance is a ~~readily combustible~~ flammable solid ~~of Division 4.1~~ and, if so, whether packing group II / [Category 1](#) or III / [2](#) should be assigned is decided on the basis of the test result.

Figure 33.2-4.3 : FLOW CHART FOR CLASSIFICATION OF ASSIGNING READILY COMBUSTIBLE FLAMMABLE SOLIDS, EXCEPT METAL POWDERS, TO DIVISION 4.1



PG II / Category 1

PG III/Category 2

Not classified as a flammable solid

33.2.+4	<i>Test N.1: Test method for readily combustible flammable solids</i>
33.2.+4.1	Introduction
	The ability of a substance to propagate combustion is tested by igniting it and determining the burning time.
33.2.+4.2	Apparatus and materials
	A mould 250 mm long with a triangular cross-section of inner height 10 mm and width 20 mm is used to form the train for the burning rate test. On both sides of the mould, in the longitudinal direction, two metal sheets are mounted as lateral limitations which extend 2 mm beyond the upper edge of the triangular cross-section (Figure 33.2.+4.1). An impervious, non-combustible, low heat-conducting plate is used to support the sample train.
33.2.+4.3	Procedure
33.2.+4.3.1	Preliminary screening test
	The substance in its commercial form, should be formed into an unbroken strip or powder train about 250 mm long by 20 mm wide by 10 mm high on a cool, impervious, low heat-conducting base plate. A hot flame (minimum temperature 1 000 °C) from a gas burner (minimum diameter 5 mm) should be applied to one end of the powder train until the powder ignites or for a maximum of 2 minutes (5 minutes for powders of metals or metal-alloys). It should be noted whether combustion propagates along 200 mm of the train within the 2 minute test period (or 20 minutes for metal powders). If the substance does not ignite and propagate combustion either by burning with flame or smouldering along 200 mm of the powder train within the 2 minute (or 20 minute) test period, then the substance should not be classified as a flammable solid and no further testing is required. If the substance propagates burning of a 200 mm length of the powder train in less than 2 minutes or less than 20 minutes for metal powders, the full test programme in 33.2.1.4.3.2 should be carried out.
33.2.+4.3.2	Burning rate test
33.2.+4.3.2.1	The powdered or granular substance, in its commercial form, should be loosely filled into the mould. The mould is then dropped three times from a height of 20 mm onto a solid surface. The lateral limitations are then removed and the impervious, non-combustible, low heat-conducting plate is placed on top of the mould, the apparatus inverted and the mould removed. Pasty substances are spread on a non-combustible surface in the form of a rope 250 mm in length with a cross-section of about 100 mm ² . In the case of a moisture sensitive substance, the test should be carried out as quickly as possible after its removal from the container. The pile should be arranged across the draught in a fume cupboard. The air speed should be sufficient to prevent fumes escaping into the laboratory and should not be varied during the test. A draught screen may be erected around the apparatus.
33.2.+4.3.2.2	For substances other than metal powders, 1 ml of a wetting solution should be added to the pile 30 - 40 mm beyond the 100 mm timing zone. Apply the wetting solution to the ridge drop by drop, ensuring the whole cross-section of the pile is wetted without loss of liquid from the sides. The liquid should be applied over the shortest possible length of the pile consistent with avoiding loss from the sides. With many substances, water rolls off the sides of the pile, so the addition of wetting agents may be necessary. Wetting agents used should be free from combustible diluents and the total active matter in the wetting solution should not exceed 1%. This liquid may be added to a hollow up to 3 mm deep and 5 mm in diameter in the top of the pile.
33.2.+4.3.2.3	Any suitable ignition source such as a small flame or a hot wire of minimum temperature 1 000 °C is used to ignite the pile at one end. When the pile has burned a distance of 80 mm, measure the rate of burning over the next 100 mm. For substances other than metal powders, note whether or not the wetted zone stops propagation of the flame for at least 4 minutes. The test should be performed six times using a clean cool plate each time, unless a positive result is observed earlier.
33.2.+4.4	Test criteria and method of assessing results
33.2.+4.4.1	Powdered, granular or pasty substances should be classified as flammable solids in Division 4.1 when the time of burning of one or more of the test runs, in accordance with the test method described in 33.2.+3.4.3.2, is

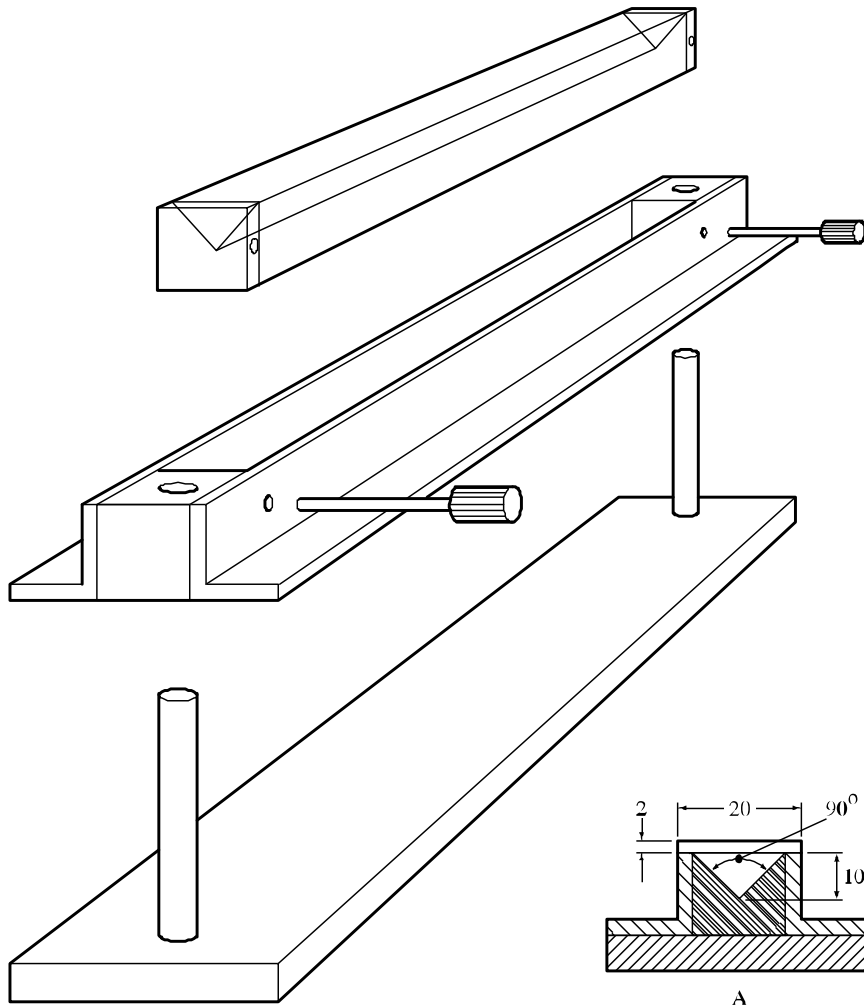
less than 45 s or the rate of burning is more than 2.2 mm/s. Powders of metals or metal alloys should be classified when they can be ignited and the reaction spreads over the whole length of the sample in 10 minutes or less.

33.2-4.4.2 For readily combustible solids (other than metal powders), packing group II / [Category 1](#) should be assigned if the burning time is less than 45 s and the flame passes the wetted zone. Packing group II / [Category 1](#) should be assigned to powders of metal or metal alloys if the zone of reaction spreads over the whole length of the sample in five minutes or less.

33.2-4.4.3 For readily combustible solids (other than metal powders), packing group III / [Category 2](#) should be assigned if the burning time is less than 45 s and the wetted zone stops the flame propagation for at least four minutes. Packing group III / [Category 2](#) should be assigned to metal powders if the reaction spreads over the whole length of the sample in more than five minutes but not more than ten minutes.

33.2-4.5 Examples of results

Substance	Preliminary burning time (s)	Burning time (s)	Delay time (s)	Result
Manganese ethylene bis (dithiocarbamate) complex with zinc salt 88% (Mancozeb)	-	102	-	Not 4+1a flammable solid
Manganese ethylene bis (dithiocarbamate) complex with zinc salt 80% (Mancozeb)	-	145	-	Not 4+1a flammable solid
Manganese ethylene bis (dithiocarbamate) complex with zinc salt 75% (Mancozeb)	No ignition	-	-	Not 4+1a flammable solid



(A) Cross-section of 250 mm long mould

Figure 33.2.1.4.1: MOULD AND ACCESSORIES FOR THE PREPARATION OF THE PILE FOR THE BURNING RATE TEST

~~33.2.3~~ (Reserved)

~~33.2.3~~33.4 Solid desensitized explosives of Division 4.1

~~33.2.3~~33.4.1 This sub-section presents the ~~United Nations~~Model Regulations scheme for the classification of desensitized explosives ~~as flammable solids~~ of Division 4.1 (see ~~Chapter 2.4~~, sub-section 2.4.2.4 of the Model Regulations ~~and note 2 to paragraph 2.1.1.1 of the GHS~~). Solid desensitized explosives are substances which are wetted with water or alcohols or are diluted with other substances to form a homogeneous solid mixture ~~in order~~ to suppress their explosive properties.

~~33.2.3.2~~ ~~—————~~ ~~New products which are thermally stable and have, or are suspected of having, explosive properties should first be considered for Class 1 and the Class 1 acceptance procedure and, if necessary, the assignment procedure applied.~~

~~33.2.3~~33.4.2~~3~~ Where a substance ~~meets the criteria for classification as an explosive~~is assigned to ~~Class 1~~ but is diluted to be exempted from ~~this class~~Class 1 by test series 6 (see section 16), this diluted substance, when meeting the classification criteria or definition for another ~~hazard class or division~~, should be classified in that class ~~or division~~ at the highest concentration which exempts it from ~~the class of explosives~~Class 1. When sufficiently diluted, such substances may be deemed to be non-dangerous ~~for some regulatory purposes (e.g. transport)~~ (see also paragraph 2.1.3.5~~6~~.3 of the Model Regulations).

~~33.2.3~~33.4.3~~4~~ The classification scheme of ~~solid~~ desensitized explosives for supply and use (including storage) according to ~~the Globally Harmonized System of Classification and Labelling of Chemicals (GHS)~~ is ~~referred to given~~ ~~in~~ section 51.

~~33.3~~ ~~—————~~ ~~Division 4.2~~

~~33.3.1~~33.5 Substances liable to spontaneous combustion

~~33.3.1~~33.5.1 Purpose

~~33.3.1~~33.5.1.1 This sub-section presents the ~~United Nations~~ scheme for the classification of substances liable to spontaneous combustion ~~i.e. pyrophoric liquids and solids and self-heating substances~~of ~~Division 4.2~~ (see ~~Chapter 2.4~~, section 2.4.3 of the Model Regulations ~~and Chapter 2.9, 2.10 and 2.11 of the GHS~~). The text should be used in conjunction with the classification principles given in ~~these references~~ sub-sections 2.4.3.2 and 2.4.3.3 of the ~~Model Regulations~~ and the test prescriptions given ~~here~~ in ~~33.3.1~~33.5.4 to ~~33.3.1~~33.5.6.

~~33.3.1~~33.5.1.2 The test procedures are intended to identify two types of substances with spontaneous combustion properties:

- (a) ~~Liquid or solid~~ ~~Substances~~substances, ~~including mixtures and solutions (liquid or solid)~~ which, even in small quantities, ignite within five minutes of coming in contact with air. These substances are the most liable to spontaneous combustion and are called pyrophoric substances;
- (b) Other substances which, in contact with air and without an energy supply, are liable to self-heating. ~~These substances~~They will ignite only when in large amounts (kilograms) and after long periods of time (hours or days) and are called self-heating substances.

~~33.3.1~~33.5.1.3 The test procedures outlined here adequately assess the relative hazard of substances liable to spontaneous combustion so that an appropriate classification ~~for transport~~ can be made.

~~33.3.1~~33.5.2 Scope

~~33.3.1~~33.5.2.1 Products ~~offered for transport~~ should be subjected to the classification procedures ~~as set out in sub-sections 2.4.3.2 and 2.4.3.3 of the Model Regulations~~, unless it is impracticable (e.g. because of the physical properties) to perform the tests. ~~The classification procedure should be undertaken before a product is offered for transport.~~

~~33.3.1~~33.5.3 Classification procedure ~~for substances liable to spontaneous combustion~~

~~33.3-133.5.3.1~~ 33.3-133.5.3.1 Pyrophoric solids

A test is performed to determine if a solid ignites within five minutes of coming in contact with air. The recommended test method is given ~~here~~, in ~~33.3-133.5.4~~. Whether a substance is a pyrophoric solid ~~of Division 4.2~~ is decided on the basis of the test result. Packing group I / Category 1 is assigned to all pyrophoric solids.

~~33.3-133.5.3.2~~ 33.3-133.5.3.2 Pyrophoric liquids

A test is performed to determine if a liquid ignites when added to an inert carrier and exposed to air for five minutes. If no ignition occurs then the second part of the test is performed to determine if it chars or ignites a filter paper. The recommended test method is given ~~here~~ in ~~33.3-133.5.5~~. Whether a substance is a pyrophoric liquid ~~of Division 4.2~~ is decided on the basis of the test result. Packing group I / Category 1 is assigned to all pyrophoric liquids.

~~33.3-133.5.3.3~~ 33.3-133.5.3.3 Self-heating substances

~~33.3-133.5.3.3.1~~ 33.3-133.5.3.3.1 Tests are performed to determine if substances in a 25 mm or 100 mm sample cube, at test temperatures of 100 °C, 120 °C or 140 °C, undergo spontaneous ignition or dangerous self-heating, which is indicated by a 60 °C rise in temperature over the oven temperature within 24 hours. The classification scheme is illustrated in Figure ~~33.3-133.5.3.3.1~~. These criteria are based on the self-ignition temperature of charcoal, which is 50 °C for a sample cube of 27 m³. Substances with a temperature of spontaneous combustion higher than 50 °C for a volume of 27 m³ should not be classified as a self-heating substance assigned to Division 4.2. Substances with a spontaneous ignition temperature higher than 50 °C for a volume of 450 litres should not be assigned to packing group II / Category 1 of Division 4.2. The recommended test method is given ~~here~~ in ~~33.3-133.5.6~~.

~~33.3-133.5.3.3.2~~ 33.3-133.5.3.3.2 If dangerous self-heating does not occur with the substance in a 100 mm sample cube at 140 °C then the substance is not a self-heating substance ~~of Division 4.2~~.

~~33.3-133.5.3.3.3~~ 33.3-133.5.3.3.3 If dangerous self-heating occurs with the substance in a 100 mm sample cube at 140 °C then a test with the substance in a 25 mm sample cube should be performed at 140 °C to determine if it should be assigned to packing group II / category 1.

~~33.3-133.5.3.3.4~~ 33.3-133.5.3.3.4 If dangerous self-heating occurs at 140 °C with the substance in a 100 mm sample cube, but not a 25 mm sample cube, then a test with the substance in a 100 mm sample cube should be performed:

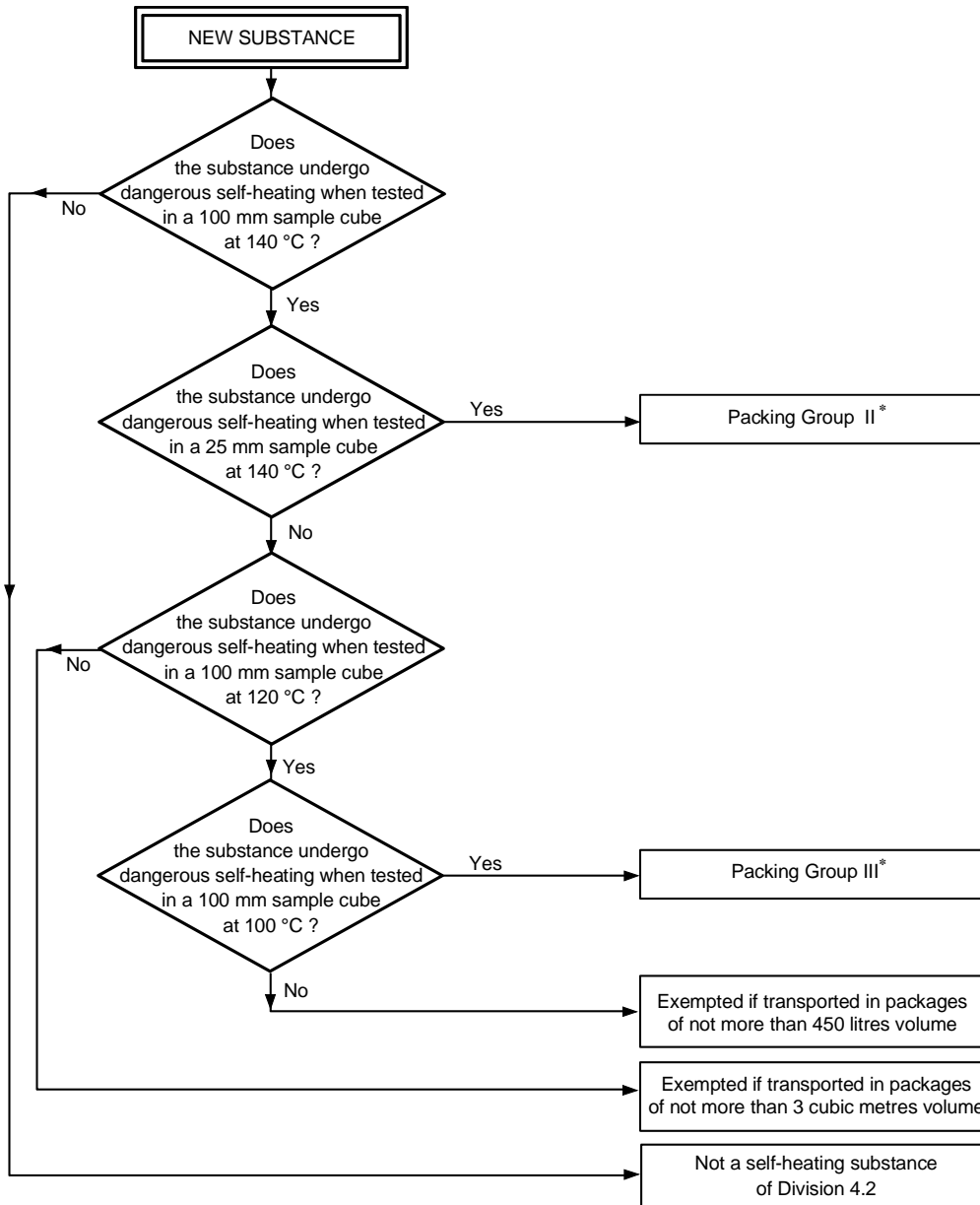
- (a) At 120 °C if it is to be ~~transported-packaged~~ packaged in packages of not more than 3 m³ volume; or
- (b) At 100 °C if the substance is to be ~~transported-packaged~~ packaged in packages of not more than 450 litres volume.

Whether packing group III / category 2 of Division 4.2 is assigned or the substance is not a self-heating substance ~~of Division 4.2~~, in the packaging to be used, is decided on the basis of the test results.

~~33.3-133.5.3.3.5~~ 33.3-133.5.3.3.5 Self-reactive substances type G which give a positive result ~~with-in~~ this test ~~method~~ may be classified as self-heating substances in Division 4.2 (see 20.2.6).

Comment [Ed8]: there are other experiences that seems to contradict this

Figure 33.3.1-33.5.3.3.1: CLASSIFICATION OF SELF-HEATING SUBSTANCES



* Substances with a temperature for spontaneous combustion higher than 50 °C for 27 m³ should not be classified in Division 4.2 as self-heating substances.
Replace “Packing group II” with “Packing group II / Category 1” and “Packing group III” with “Packing group III / Category 2” and “...if transported...” with “...if packaged...”(two times)

~~33.3.1~~33.5.4 Test N.2: Test method for pyrophoric solids

~~33.3.1~~33.5.4.1 Introduction

The ability of a solid to ignite on contact with air is tested by exposure to air and determining the time to ignition.

~~33.3.1~~33.5.4.2 Apparatus and materials

No special laboratory equipment is required.

~~33.3.1~~33.5.4.3 Procedure

One to two ml of the powdery substance to be tested should be poured from about 1 m height onto a non-combustible surface and it is observed whether the substance ignites during dropping or within 5 minutes of settling. This procedure should be performed six times unless a positive result is obtained earlier.

~~33.3.1~~33.5.4.4 Test criteria and method of assessing results

If the sample ignites in one of the tests, the substance should be considered pyrophoric and should be classified [as a pyrophoric solid](#), in packing group I / [Category 1 of Division 4.2](#).

~~33.3.1~~33.5.4.5 Examples of results

Substance	Time to ignition (s)	Result
Manganese ethylene bis (dithiocarbamate) complex with zinc salt 88% (Mancozeb)	No ignition within 5 minutes	Not PG I of 4.2 pyrophoric solid
Manganese ethylene bis (dithiocarbamate) complex with zinc salt 80% (Mancozeb)	No ignition within 5 minutes	Not a pyrophoric solid PG I of 4.2
Manganese ethylene bis (dithiocarbamate) complex with zinc salt 75% (Mancozeb)	No ignition within 5 minutes	Not a pyrophoric solid PG I of 4.2

~~33.3-133.5~~.5 Test N.3: Test method for pyrophoric liquids

~~33.3-133.5~~.5.1 Introduction

The ability of a liquid to ignite when added to an inert carrier and exposed to air, or to char or ignite a filter paper on contact with air, is determined.

~~33.3-133.5~~.5.2 Apparatus and materials

A porcelain cup of about 100 mm diameter and some diatomaceous earth or silica gel is required for the first part of the test, and small pore size filter paper for the second part.

~~33.3-133.5~~.5.3 Procedure

~~33.3-133.5~~.5.3.1 A porcelain cup of about 100 mm diameter should be filled with diatomaceous earth or silica gel at room temperature to a height of about 5 mm. Approximately 5 ml of the liquid to be tested should be poured into the prepared porcelain cup and it is observed if the substance ignites within 5 minutes. This procedure should be performed six times unless a positive result is obtained earlier. If a negative result is obtained then the procedure in ~~33.3-133.5~~.5.3.2 should be followed.

~~33.3-133.5~~.5.3.2 A 0.5 ml test sample should be delivered from a syringe to an indented dry filter paper. The test should be conducted at 25 ± 2 °C and a relative humidity of $50 \pm 5\%$. Observations are made to see if ignition or charring occurs on the filter paper within five minutes of addition of the liquid. This procedure should be performed three times using fresh filter paper each time unless a positive result is obtained earlier.

~~33.3-133.5~~.5.4 Test criteria and method of assessing results

If the liquid ignites in the first part of the test, or if it ignites or chars the filter paper, it should be considered to be pyrophoric and should be classified ~~as a pyrophoric liquid, in~~ packing group I / ~~category 1 of Division 4.2.~~

~~33.3-133.5~~.5.5 Examples of results

Substance	Effect of exposure to air	Effect on filter paper	Result
Diethyl aluminium chloride/isopentane (10/90)	No ignition	No charring	Not a pyrophoric liquid 4.2
Diethyl aluminium chloride/isopentane (15/85)	No ignition	Charring	pyrophoric liquid 4.2
Diethyl aluminium chloride/isopentane (95/5)	No ignition	Charring	pyrophoric liquid 4.2
Triethyl aluminium/heptane (10/90)	No ignition	No charring	Not a pyrophoric liquid 4.2
Triethyl aluminium/heptane (15/85)	No ignition	Charring	pyrophoric liquid 4.2
Triethyl aluminium/heptane (95/5)	No ignition	Charring	pyrophoric liquid 4.2

~~33.3.1~~33.5.6 Test N.4: Test method for self-heating substances

~~33.3.1~~33.5.6.1 Introduction

The ability of a substance to undergo oxidative self-heating is determined by exposure of it to air at temperatures of 100 °C, 120 °C or 140 °C in a 25 mm or 100 mm wire mesh cube.

~~33.3.1~~33.5.6.2 Apparatus and materials

The following apparatus is required:

- a) a hot-air circulating type of oven with an inner volume of more than 9 litres and capable of controlling the internal temperature at 100 °C, 120 °C or 140 °C ± 2 °C;
- b) cubic sample containers of 25 mm and 100 mm side, made of stainless steel net with a mesh opening of 0.05 mm, with their top surface open; and
- c) Chromel-Alumel thermocouples of 0.3 mm diameter; one placed in the centre of the sample and another between the sample container and the oven wall.

Each sample container should be housed in a cubic container cover made from a stainless steel net with a mesh opening of 0.60 mm, and slightly larger than the sample container. In order to avoid the effect of air circulation, this cover is installed in a second stainless steel cage, made from a net with a mesh size of 0.595 mm and 150 × 150 × 250 mm in size.

~~33.3.1~~33.5.6.3 Procedure

The sample, powder or granular, in its commercial form, should be filled to the brim of the sample container and the container tapped several times. If the sample settles, more is added. If the sample is heaped it should be levelled to the brim. The container is housed in the cover and hung at the centre of the oven. The oven temperature should be raised to 140 °C and kept there for 24 hours. The temperature of the sample and of the oven should be recorded continuously. The first test¹ may be conducted with a 100 mm cube sample. A positive result is obtained if spontaneous ignition occurs or if the temperature of the sample exceeds the oven temperature by 60 °C. If a negative result is obtained, no further test is necessary. If a positive result is obtained, a second test should be conducted at 140 °C with a 25 mm cube sample to determine whether or not packing group II / [Category 1](#) should be assigned. If a positive result is obtained at 140 °C with the substance in a 100 mm sample cube, but not a 25 mm sample cube, then an additional test with the substance in a 100 mm sample cube should be performed:

- (a) At 120 °C if the substance is to be ~~transported-packaged~~ in packagings of more than 450 litre volume but not more than 3 m³ volume; or
- (b) At 100 °C if the substance is to be ~~transported-packaged~~ in packagings of not more than 450 litres volume.

~~33.3.1~~33.5.6.4 Test criteria and method of assessing results

~~33.3.1~~33.5.6.4.1 A positive result is obtained if spontaneous ignition occurs or if the temperature of the sample exceeds the oven temperature by 60 °C during the 24 hour testing time. Otherwise, the result is considered negative.

~~33.3.1~~33.5.6.4.2 A substance should not be classified ~~in Division 4.2 as a self-heating substance~~ if:

- (a) A negative result is obtained in a test using a 100 mm cube sample at 140 °C;

¹ *The tests may be performed in any order. For example, if it is expected that a positive result will be obtained using a 25 mm cube sample then, for safety and environmental protection, the first test may be performed with a 25 mm cube sample. If a positive result is obtained with a 25 mm cube sample then a test with a 100 mm cube sample is not necessary.*

- (b) A positive result is obtained in a test using a 100 mm sample cube at 140 °C and a negative result is obtained in a test using a 25 mm cube sample at 140 °C, a negative result is obtained in a test using a 100 mm cube sample at 120 °C and the substance is to be ~~transported~~-packaged in packages with a volume not more than 3 m³;
- (c) A positive result is obtained in a test using a 100 mm sample cube at 140 °C and a negative result is obtained in a test using a 25 mm cube sample at 140 °C, a negative result is obtained in a test using a 100 mm cube sample at 100 °C and the substance is to be ~~transported~~-packaged in packages with a volume not more than 450 litres.

~~33.3-133.5.6.4.3~~ 33.5.6.4.3 Packing group II / [category 1](#) should be assigned to self-heating substances which give a positive result in a test using a 25 mm sample cube at 140 °C.

~~33.3-133.5.6.4.4~~ 33.5.6.4.4 Packing group III / [category 2](#) should be assigned to self-heating substances if:

- (a) A positive result is obtained in a test using a 100 mm sample cube at 140 °C and a negative result is obtained in a test using a 25 mm cube sample at 140 °C and the substance is to be ~~transported~~-packaged in packages with a volume of more than 3 m³;
- (b) A positive result is obtained in a test using a 100 mm sample cube at 140 °C and a negative result is obtained in a test using a 25 mm cube sample at 140 °C, a positive result is obtained in a test using a 100 mm cube sample at 120 °C and the substance is to be ~~transported~~-packaged in packages with a volume of more than 450 litres;
- (c) A positive result is obtained in a test using a 100 mm sample cube at 140 °C and a negative result is obtained in a test using a 25 mm cube sample at 140 °C and a positive result is obtained in a test using a 100 mm cube sample at 100 °C.

~~33.3-133.5.6.5~~ 33.5.6.5 Examples of results

Substance	Oven temperature (°C)	Cube size (mm)	Maximum temperature reached (°C)	Result
Cobalt/molybdenum catalyst granules	140	100	>200	P.G. III of 4.2 self-heating PG III/ Cat 2 ^a
	140	25	181	
Manganese ethylene bis (dithiocarbamate) 80% (Maneb)	140	25	> 200	self-heating PG II/ Cat 1 P.G. II of 4.2
Manganese ethylene bis (dithiocarbamate) complex with zinc salt 75% (Mancozeb)	140	25	> 200	self-heating PG II/ Cat 1 P.G. II of 4.2
Nickel catalyst granules with 70% hydrogenated oil	140	100	140	Not self-heating 4.2
Nickel catalyst granules with 50% white oil	140	100	> 200	2 self-heating PG III/ Cat 2 P.G. III of 4.2 ^a
	140	25	140	
Nickel/molybdenum catalyst granules (spent)	140	100	> 200	self-heating PG III/ Cat 2 P.G. III of 4.2 ^a
	140	25	150	
Nickel/molybdenum catalyst granules (passivated)	140	100	161	Not self-heating 4.2
Nickel/vanadium catalyst Granules	140	25	> 200	self-heating PG II/ Cat 1 P.G. II of 4.2

^a Not tested at 100 °C or 120 °C.

33.4 Division 4.3

~~33.4.1~~33.6 *Substances which, in contact with water, emit flammable gases*

~~33.4.1~~33.6.1 *Purpose*

~~33.4.1~~33.6.1.1 This section of the Manual presents the ~~United Nations~~ scheme for the classification of substances ~~of Division 4.3~~ which, in contact with water, emit flammable gases (see [Chapter 2.4](#), section 2.4.4 of the Model Regulations [and Chapter 2.12 of the GHS](#)). The text should be used in conjunction with the classification principles given ~~in sub-sections 2.4.4.2 and 2.4.4.3 of the Model Regulations~~ [in these references](#), together with the test prescription given ~~here~~ in ~~33.4.1~~33.6.4.

~~33.4.1~~33.6.1.2 The test procedure is intended to determine whether the reaction of a substance with water leads to the development of a dangerous amount of gases which may be flammable.

~~33.4.1~~33.6.1.3 The test procedures outlined here adequately assess the relative hazard of substances liable to emit flammable gases on contact with water (sometimes referred to as water reactive substances in the Model Regulations) so that an appropriate classification ~~for transport~~ can be made.

~~33.4.1~~33.6.2 *Scope*

~~33.4.1~~33.6.2.1 New products ~~offered for transport~~ should be subjected to the classification procedures as set out in [Chapter 2.4](#), sub-sections 2.4.4.2 and 2.4.4.3 of the Model Regulations [and Chapter 2.12 of the GHS](#). ~~The classification procedure should be undertaken before a new product is offered for transport.~~

~~33.4.1~~33.6.3 *Classification procedure for substances which in contact with water emit flammable gases*

~~33.4.1~~33.6.3.1 The test method can be applied to solid and liquid substances. In case a pyrophoric substance is tested, the test should be executed under nitrogen atmosphere. The substance should be tested in its commercial form at ambient temperature (20 °C) by bringing it into contact with water. If during any stage of the test the gas emitted ignites then no further testing is necessary and the substance should be [classified as a substance which, in contact with water, emits flammable gases](#) ~~assigned to Division 4.3~~. If spontaneous ignition of the emitted gas does not occur then the final stage of the test should be performed to determine the rate of emission of flammable gas. The recommended test method, with possible results, is given ~~here~~ in ~~33.4.1~~33.6.4. Whether a substance is a water-reactive substance ~~of Division 4.3~~ and, if so, whether packing group I / [category 1](#), II / [2](#) or III / [3](#) should be assigned is decided on the basis of the test result.

~~33.4.1~~33.6.4 Test N.5: Test method for substances which in contact with water emit flammable gases

~~33.4.1~~33.6.4.1 Introduction

The ability of a substance to emit flammable gases on contact with water is tested by bringing it into contact with water under a variety of conditions.

~~33.4.1~~33.6.4.2 Apparatus and materials

No special laboratory apparatus is required.

~~33.4.1~~33.6.4.3 Procedure

~~33.4.1~~33.6.4.3.1 The substance should be tested according to the procedures described below; if spontaneous ignition occurs at any stage then no further testing is necessary. If it is known that the substance does not react violently with water then proceed to ~~33.4.1~~33.6.4.3.5.

~~33.4.1~~33.6.4.3.2 A small quantity (approximately 2 mm diameter) of the test substance should be placed in a trough of distilled water at 20 °C. It is noted:

- (a) Whether any gas is evolved; and
- (b) If spontaneous ignition of the gas occurs.

~~33.4.1~~33.6.4.3.3 A small quantity of the test substance (approximately 2 mm diameter) should be placed on the centre of a filter paper which is floated flat on the surface of distilled water at 20 °C in a suitable vessel, e.g. a 100 mm diameter evaporating dish. The filter paper is to keep the substance in one place, under which condition the likelihood of spontaneous ignition of any gas is greatest. It is noted:

- (a) Whether any gas is evolved; and
- (b) If spontaneous ignition of the gas occurs.

~~33.4.1~~33.6.4.3.4 The test substance should be made into a pile approximately 20 mm high and 30 mm diameter with a hollow in the top. A few drops of water are added to the hollow. It is noted whether:

- (a) Any gas is evolved; and
- (b) If spontaneous ignition of the gas occurs.

~~33.4.1~~33.6.4.3.5 For solids, the package should be inspected for any particles of less than 500 µm diameter. If that powder constitutes more than 1% (mass) of the total, or if the substance is friable, then the whole of the sample should be ground to a powder before testing to allow for a reduction in particle size during handling and transport. Otherwise, as for liquids, the substance should be tested in its commercial state. This test should be performed three times at ambient temperature (20 °C) and atmospheric pressure. Water is put into the dropping funnel and enough of the substance (up to a maximum mass of 25 g) to produce between 100 ml and 250 ml of gas is weighed and placed in a conical flask. The tap of the dropping funnel is opened to let the water into the conical flask and a stop watch is started. The volume of gas evolved is measured by any suitable means. The time taken for all the gas to be evolved is noted and where possible, intermediate readings are taken. The rate of evolution of gas is calculated over 7 hours at 1 hour intervals. If the rate of evolution is erratic or is increasing after 7 hours, the measuring time should be extended to a maximum time of 5 days. The five day test may be stopped if the rate of evolution becomes steady or continually decreases and sufficient data has been established to assign a packing group / [category](#) to the substance or to determine that the substance should not be classified in [Division 4.3](#) [this hazard class](#). If the chemical identity of the gas is unknown, the gas should be tested for flammability.

~~33.4.1~~33.6.4.4 Test criteria and method of assessing results

~~33.4.1~~33.6.4.4.1 A substance should be classified in [this hazard class](#)~~Division 4.3~~ if:

- (a) Spontaneous ignition takes place in any step of the test procedure; or
- (b) There is an evolution of a flammable gas at a rate greater than 1 litre per kilogram of the substance per hour.

~~33.4.1~~33.6.4.4.2 Packing group I / [category 1](#) should be assigned to any substance which reacts vigorously with water at ambient temperatures and generally demonstrates a tendency for the gas produced to ignite spontaneously, or which reacts readily with water at ambient temperatures such that the rate of evolution of flammable gas is equal to or greater than 10 litres per kilogram of substance over any one minute period.

~~33.4.1~~33.6.4.4.3 Packing group II / [category 2](#) should be assigned to any substance which reacts readily with water at ambient temperatures such that the maximum rate of evolution of flammable gas is equal to or greater than 20 litres per kilogram of substance per hour, and which does not meet the criteria for packing group I / [category 1](#).

~~33.4.1~~33.6.4.4.4 Packing group III / [category 3](#) should be assigned to any substance which reacts slowly with water at ambient temperatures such that the maximum rate of evolution of flammable gas is greater than 1 litre per kilogram of substance per hour, and which does not meet the criteria for packing groups I / [category 1](#) or II / [2](#).

~~33.4.1~~33.6.4.5 Examples of results

Substance	Rate of gas emission (litre/kg.h)	Spontaneous ignition of gas (yes/no)	Result
Manganese ethylene bis (dithiocarbamate) complex with zinc salt 88% (Mancozeb)	0	Not applicable	Not 4.3 classified in this hazard class

SECTION 34

CLASSIFICATION PROCEDURES, TEST METHODS AND CRITERIA RELATING TO OXIDIZING ~~SUBSTANCES~~ SOLIDS AND LIQUIDS OF DIVISION 5.1

34.1 Purpose

34.1.1 This section presents the ~~United Nations~~ scheme for the classification of oxidizing ~~substances of Division 5.1~~ solids and liquids (see [Chapter 2.5](#), section 2.5.2 of the Model Regulations [and Chapters 2.13 and 2.14 of the GHS](#)). The text should be used in conjunction with the classification principles given in ~~paragraphs 2.5.2.2 and 2.5.2.3 of the Model Regulations~~ [these references](#) and the test prescriptions given ~~here~~ in section 34.4.

34.2 Scope

34.2.1 New products ~~offered for transport~~ should be [classified according to the criteria](#) ~~subjected to the classification procedures as set out in paragraphs 2.5.2.2.1 and 2.5.2.2.2 or 2.5.2.3.1 and 2.5.2.3.2 of the Model Regulations~~ unless it is impracticable (e.g. because of the physical properties) to perform the tests. Substances which cannot be tested should be classified by analogy with existing entries. ~~The classification procedure should be undertaken before a new product is offered for transport.~~

34.3 Classification procedure

The test procedures ~~outlined here~~ adequately assess the relative hazard of oxidizing ~~substances~~ solids and liquids so that an appropriate classification ~~for transport~~ can be made by the competent authority. In the event of divergence between test results and known experience, judgement based on known experience should take precedence over test results.

34.3.1 Oxidizing solids

A test is performed to determine the potential for a solid ~~substance~~ to increase the burning rate or burning intensity of a combustible substance when the two are thoroughly mixed. ~~The recommended test methods are given here and in sub-section 2.5.2.2 of the Model Regulations.~~ Whether a solid is ~~an~~ oxidizing ~~substance of Division 5.1~~ and, if so, whether packing group I, II or III / [category 1, 2 or 3](#) should be assigned, is decided on the basis of the test result. [For transport, in case of solids presenting more than one hazard characteristics.](#) (see also **Precedence of hazards characteristics** in [Chapter 2.0](#), section 2.0.3 of the Model Regulations). As the particle size has a significant effect on the result, the particle size of the ~~substance~~ solid tested should be stated in the test report.

34.3.2 Oxidizing liquids

A test is performed to determine the potential for a liquid ~~substance~~ to increase the burning rate or burning intensity of a combustible substance or for spontaneous ignition to occur when the two are thoroughly mixed. The recommended test method ~~given here~~ measures the pressure rise time during combustion. Whether a liquid is ~~an~~ oxidizing ~~substance of Division 5.1~~ and, if so, whether packing group I, II or III / [category 1, 2 or 3](#) should be assigned, is decided on the basis of the test result. [For transport, in case of liquids presenting more than one hazard characteristics.](#) (see also **Precedence of hazards characteristics** in [Chapter 2.0](#), section 2.0.3 of the Model Regulations).

34.4 Test methods for oxidizing ~~substances~~ solids and liquids

34.4.1 *Test O.1: Test for oxidizing solids*

34.4.1.1 *Introduction*

This test method is designed to measure the potential for a solid substance to increase the burning rate or burning intensity of a combustible substance when the two are thoroughly mixed. Tests are conducted on the substance to be evaluated mixed with dry fibrous cellulose in mixing ratios of 1:1 and 4:1, by mass, of sample to cellulose. The burning characteristics of the mixtures are compared with the standard 3:7 mixture, by mass, of potassium bromate to cellulose. If the burning time is equal to or less than this standard mixture, the burning times should be compared with those from the packing group I or II / [category 1 or 2](#) reference standards, 3:2 and 2:3 ratios, by mass, of potassium bromate to cellulose respectively.

34.4.1.2 *Apparatus and materials*

34.4.1.2.1 Technically pure potassium bromate is required as a reference substance. It should be sieved, but not ground, and the fraction with nominal particle sizes in the range 0.15 to 0.30 mm used as the reference substance. The reference substance is dried at 65 °C to constant mass (for a minimum of 12 hours) and kept in a desiccator (with desiccant) until cool and required for use.

34.4.1.2.2 Dried fibrous cellulose¹, with a fibre length between 50 and 250 µm and a mean diameter of 25 µm, is used as the combustible material. It is dried in a layer no more than 25 mm thick at 105 °C to constant mass (for a minimum of 4 hours) and kept in a desiccator (with desiccant) until cool and required for use. The water content should be less than 0.5% by dry mass. If necessary, the drying time should be prolonged to achieve this.

34.4.1.2.3 An ignition source is required comprising an inert metal wire (e.g. nickel/chromium) connected to an electrical power source and with the following characteristics:

- | | | |
|---|---|----------------|
| (a) Length | = | 30 ± 1 cm; |
| (b) Diameter | = | 0.6 ± 0.05 mm; |
| (c) Electrical resistance | = | 6.0 ± 0.5 Ω/m; |
| (d) Electrical power dissipated in the wire | = | 150 ± 7 W. |

The wire should be shaped as in Figure 34.4.1.1.

34.4.1.2.4 A 60° glass funnel, sealed at the narrow end, with an internal diameter of 70 mm is required to form the mixtures into a truncated conical pile with base diameter of 70 mm on a cool, impervious, low heat conducting plate. A 150 mm by 150 mm plate with a thickness of 6 mm and a thermal conductivity (at a temperature of 0 °C) of 0.23 W.m⁻¹.K⁻¹ is suitable. Other plates with a similar conductivity may be used.

34.4.1.2.5 A fume cupboard or other kind of ventilated area is required in which there is some ventilation but with an air stream velocity of 0.5 m/s or less. ***The fume extraction system should be suitable for the capture of toxic fumes.***

34.4.1.2.6 The substance, ~~in the form in which it will be transported~~, should be inspected for any particles less than 500 µm in diameter. If that powder constitutes more than 10% (mass) of the total, or if the substance is friable, then the whole of the test sample should be ground to a powder before testing to allow for a reduction in particle size during handling and transport.

¹ Source reference available from the national contact for test details in France (see Appendix 4).

34.4.1.3 *Procedure*

34.4.1.3.1 30.0 g ± 0.1 g mixtures of the reference substance and cellulose are prepared in the potassium bromate to cellulose ratios of 3:7, 2:3 and 3:2, by mass. 30.0 g ± 0.1 g mixtures of the substance to be tested, in the particle size ~~in which it will be transported (see as determined in paragraph 34.4.1.2.6)~~, and cellulose are prepared in the oxidizer to cellulose ratios of 4:1 and 1:1, by mass. Each mixture should be mixed mechanically as thoroughly as possible without excessive stress. Each sample mixture should be made individually, used as soon as possible, and not taken from a batch.

34.4.1.3.2 Using the conical funnel, the mixture should be formed into a truncated conical pile, with a base diameter of 70 mm, covering the looped ignition wire resting on the low heat conducting plate. The plate should be placed in a ventilated area and the test performed at atmospheric pressure with the ambient temperature at 20 °C ± 5 °C.

34.4.1.3.3 Power is applied to the ignition wire and is maintained for the duration of the test or for three minutes if the mixture does not ignite and burn. The recorded burning time is taken from when the power is switched on to when the main reaction (e.g. flame, incandescence or glowing combustion) ends. Intermittent reaction, such as sparking or sputtering, after the main reaction should not be taken into account. If the heating wire breaks during the test then the test should be repeated unless breaking of the wire clearly does not affect the result. The test should be performed five times on the substance. Five tests should be performed with each reference mixture required to make the packing group / category assignment or to determine if the substance should not be classified ~~as an oxidizing solid in Division 5.1.~~

34.4.1.4 *Test criteria and method of assessing results*

34.4.1.4.1 The results are assessed on the basis of:

- (a) The comparison of the mean burning time with those of the reference mixtures; and
- (b) Whether the mixture of substance and cellulose ignites and burns.

34.4.1.4.2 The test criteria for determining oxidizing properties of the substance are:

PG I / [cat 1](#): Any substance which, in the 4:1 or 1:1 sample-to-cellulose ratio (by mass) tested, exhibits a mean burning time less than the mean burning time of a 3:2 mixture, by mass, of potassium bromate and cellulose.

PG II / [cat 2](#): Any substance which, in the 4:1 or 1:1 sample-to-cellulose ratio (by mass) tested, exhibits a mean burning time equal to or less than the mean burning time of a 2:3 mixture (by mass) of potassium bromate and cellulose; and which does not meet the criteria for packing group I / [category 1](#).

PG III / [cat 3](#): Any substance which, in the 4:1 or 1:1 sample-to-cellulose ratio (by mass) tested, exhibits a mean burning time equal to or less than the mean burning time of a 3:7 mixture (by mass) of potassium bromate and cellulose; and which does not meet the criteria for packing groups I and II / [category 1 and 2](#).

Not [Division 5.1 an oxidizing solid](#) Any substance which, in both the 4:1 and 1:1 sample-to-cellulose ratio (by mass) tested, does not ignite and burn, or exhibits mean burning times greater than that of a 3:7 mixture (by mass) of potassium bromate and cellulose.

For [the assignment of precedence of hazards for transport purposes in the case of](#) substances having other ~~risks~~ hazards, e.g. toxicity or corrosivity, the requirements of [Chapter 2.0](#), section 2.0.3 of the Model Regulations should be met.

34.4.1.5 *Examples of results*

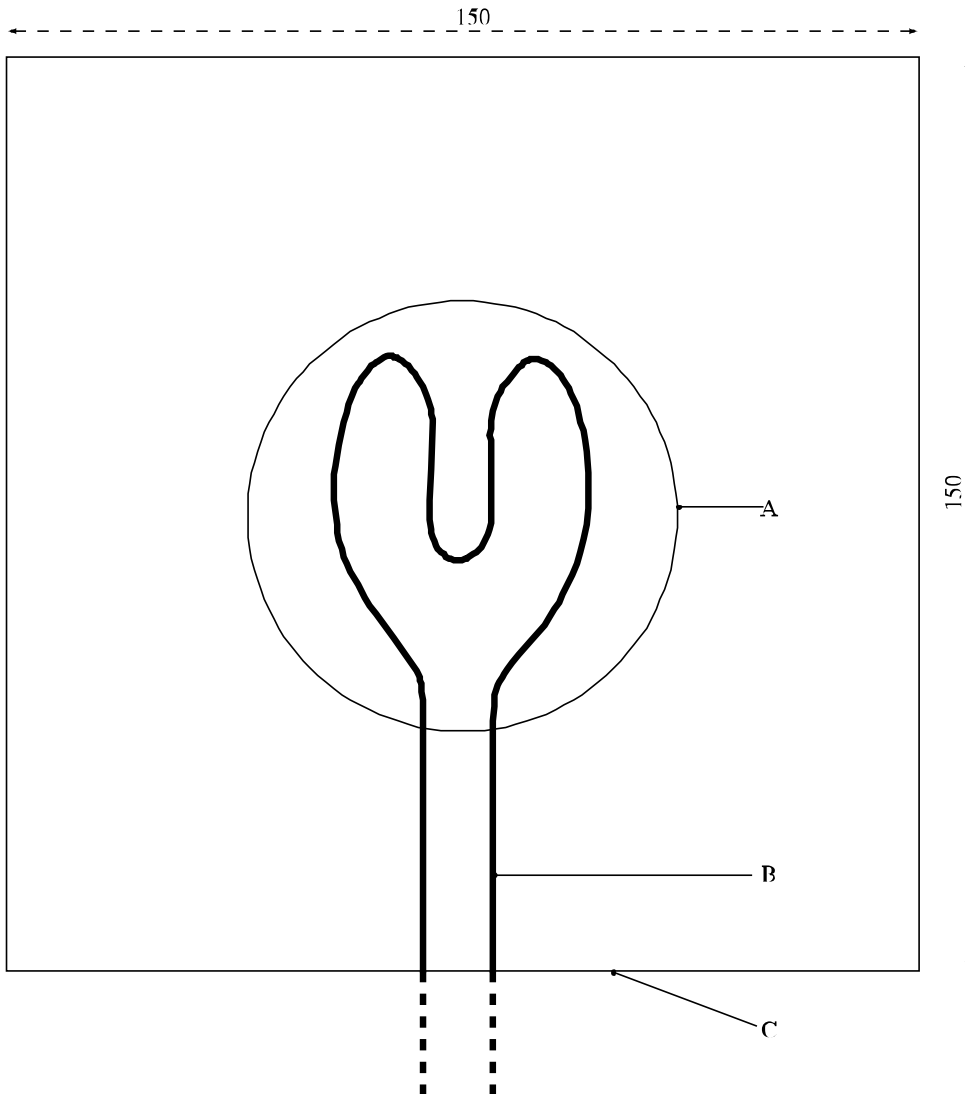
NOTE: The test results given should be used only as an illustration since the results obtained with a particular oxidizer will depend on the particle size etc.

Substance	Mean burning times (s)		Results
	4:1	1:1	
Ammonium dichromate	55	189	PG III / cat 3 ^a
Ammonium nitrate (crystalline)	161	74	PG III / cat 3
Calcium nitrate (anhydrous)	10	25	PG II / cat 2 ^b
Calcium nitrate (tetra hydrate)	268	142	Not 5.1 an oxidizing solid
Ceric ammonium nitrate	10	36	PG II / cat 2 ^c
Chromium trioxide	3	33	PG I / cat 1 ^a
Cobalt nitrate (hexahydrate)	205	390	Not an oxidizing solid 5.1
Nickel nitrate	101	221	Not an oxidizing solid 5.1 ^b
Potassium nitrite	8	15	PG II / cat 2
Potassium perchlorate	9	33	PG II / cat 2
Potassium permanganate	17	51	PG II / cat 2
Sodium chlorate	5	13	PG II / cat 2
Sodium nitrite	15	22	PG II / cat 2 ^b
Sodium nitrate	56	39	PG II / cat 2 ^b
Strontium nitrate (anhydrous)	107	237	Not an oxidizing solid 5.1 ^b

Burning times for mixtures of reference substance to cellulose

3:7 Potassium bromate/cellulose	100 s
2:3 Potassium bromate/cellulose	54 s
3:2 Potassium bromate/cellulose	4 s

- ^a Currently PG II / [cat 2](#) but borderline.
^b Currently PG III / [cat 3](#).
^c Not currently classified [as an oxidizing solid](#).



- (A) Base of sample cone (70 mm diameter)
- (B) Heating wire
- (C) Low heat conducting plate

Figure 34.4.1.1: TEST PLATE AND IGNITION WIRE

34.4.2 Test O.2: Test for oxidizing liquids

34.4.2.1 *Introduction*

This test method is designed to measure the potential for a liquid substance to increase the burning rate or burning intensity of a combustible substance when the two are thoroughly mixed or to form a mixture which spontaneously ignites. The liquid is mixed in a 1 to 1 ratio, by mass, with fibrous cellulose, the mixture heated in a pressure vessel and the rate of pressure rise determined².

34.4.2.2 *Apparatus and materials*

34.4.2.2.1 A pressure vessel, as used in the time/pressure test (see Part I, test 1 (c) (i)), is required. It consists of a cylindrical steel pressure vessel 89 mm in length and 60 mm in external diameter (see Figure 34.4.2.1). Two flats are machined on opposite sides (reducing the cross-section of the vessel to 50 mm) to facilitate holding whilst fitting up the firing plug and vent plug. The vessel, which has a bore of 20 mm diameter is internally rebated at either end to a depth of 19 mm and threaded to accept 1" British Standard Pipe (BSP). A pressure take-off, in the form of a side arm, is screwed into the curved face of the pressure vessel 35 mm from one end and at 90° to the machined flats. The socket for this is bored to a depth of 12 mm and threaded to accept the 1/2 " BSP thread on the end of the side-arm. If necessary, an inert seal is fitted to ensure a gastight seal. The side-arm extends 55 mm beyond the pressure vessel body and has a bore of 6 mm. The end of the side-arm is rebated and threaded to accept a diaphragm type pressure transducer. Any pressure-measuring device may be used provided that it is not affected by the hot gases or the decomposition products and is capable of responding to rates of pressure rise of 690-2 070 kPa in not more than 5 ms.

34.4.2.2.2 The end of the pressure vessel furthest from the side-arm is closed with a firing plug which is fitted with two electrodes, one insulated from, and the other earthed to, the plug body. The other end of the pressure vessel is closed by a bursting disc (bursting pressure approximately 2 200 kPa (320 psi)) held in place with a retaining plug which has a 20 mm bore. If necessary, an inert seal is used with the firing plug to ensure a gas-tight fit. A support stand (Figure 34.4.2.2) holds the assembly in the correct attitude during use. This comprises a mild steel base plate measuring 235 mm × 184 mm × 6 mm and a 185 mm length of square hollow section (S.-H.S.) 70 × 70 × 4 mm.

34.4.2.2.3 A section is cut from each of two opposite sides at one end of the length of S.H.S. so that a structure having two flat sided legs surmounted by 86 mm length of intact box section results. The ends of these flat sides are cut to an angle of 60° to the horizontal and welded to the base plate. A slot measuring 22 mm wide × 46 mm deep is machined in one side of the upper end of the base section such that when the pressure vessel assembly is lowered, firing plug end first, into the box section support, the side-arm is accommodated in the slot. A packing piece of steel 30 mm wide and 6 mm thick is welded to the lower internal face of the box section to act as a spacer. Two 7 mm thumb screws, tapped into the opposite face, serve to hold the pressure vessel firmly in place. Two 12 mm wide strips of 6 mm thick steel, welded to the side pieces abutting the base of the box section, support the pressure vessel from beneath.

34.4.2.2.4 The ignition system consists of a 25 cm long Ni/Cr wire with a diameter 0.6 mm and a resistance of 3.85 ohm/m. The wire is wound, using a 5 mm diameter rod, in the shape of a coil and is attached to the firing plug electrodes. The coil should have one of the configurations shown in Figure 34.4.2.3. The distance between the bottom of the vessel and the underside of the ignition coil should be 20 mm. If the electrodes are not adjustable, the ends of the ignition wire between the coil and the bottom of the vessel should be insulated by a ceramic sheath. The wire is heated by a constant current power supply able to deliver at least 10 A.

34.4.2.2.5 Dried, fibrous cellulose³ with a fibre length between 50 and 250 µm and a mean diameter of 25 µm, is used as the combustible material. It is dried in a layer not more than 25 mm thick at 105 °C for 4 hours and kept in a desiccator, with desiccant, until cool and required for use. The water content of the dried cellulose should be less than 0.5% by dry mass. If necessary, the drying time should be prolonged to achieve this.

² In some cases, substances may generate a pressure rise (too high or too low), caused by chemical reactions not characterising their oxidizing properties ~~of the substance~~. In these cases, it may be necessary to repeat the test with an inert substance, e.g. diatomite (kieselguhr), in place of the cellulose in order to clarify the nature of the reaction.

³ Source reference available from the national contact for test details in Sweden (see Appendix 4).

34.4.2.2.6 50% perchloric acid, 40% aqueous sodium chlorate solution and 65% aqueous nitric acid are required as reference substances.

34.4.2.2.7 The concentration of the substance tested should be specified in the report. If saturated solutions are tested, they should be prepared at 20 °C.

34.4.2.3 *Procedure*

34.4.2.3.1 The apparatus, assembled complete with pressure transducer and heating system but without the bursting disc in position, is supported firing plug end down. 2.5 g of the liquid to be tested is mixed with 2.5 g of dried cellulose in a glass beaker using a glass stirring rod. ***For safety, the mixing should be performed with a safety shield between the operator and mixture.*** (If the mixture ignites during mixing or filling, no further testing is necessary.) The mixture is added, in small portions with tapping, to the pressure vessel making sure that the mixture is packed around the ignition coil and is in good contact with it. It is important that the coil is not distorted during the packing process. The bursting disc is placed in position and the retaining plug is screwed in tightly. The charged vessel is transferred to the firing support stand, bursting disc uppermost, which should be located in a suitable, armoured fume cupboard or firing cell. The power supply is connected to the external terminals of the firing plug and 10 A applied. The time between the start of mixing and switching the power on should be about 10 minutes.

34.4.2.3.2 The signal produced by the pressure transducer is recorded on a suitable system which allows both evaluation and the generation of a permanent record of the time pressure profile obtained (e.g. a transient recorder coupled to a chart recorder). The mixture is heated until the bursting disc ruptures or until at least 60 s has elapsed. ***If the bursting disc does not rupture, the mixture should be allowed to cool before carefully dismantling the apparatus and precautions taken to allow for any pressurisation.*** Five trials are performed with the mixture and each of the reference substances. The time taken for the pressure rise from 690 kPa to 2 070 kPa above atmospheric is noted. The mean time interval should be used for classification.

34.4.2.4 *Test criteria and method of assessing results*

34.4.2.4.1 The test results are assessed on the basis of:

- (a) Whether the mixture of substance and cellulose spontaneously ignites; and
- (b) The comparison of the mean time taken for the pressure to rise from 690 kPa to 2 070 kPa gauge with those of the reference substances.

34.4.2.4.2 The test criteria for determining the oxidizing properties of the substance are:

PG I /[cat 1](#): - Any substance which, in the 1:1 mixture, by mass, of substance and cellulose tested, spontaneously ignites; or

- The mean pressure rise time of a 1:1 mixture, by mass, of substance and cellulose is less than that of a 1:1 mixture, by mass, of 50% perchloric acid and cellulose.

PG II /[cat 2](#): - Any substance which, in the 1:1 mixture, by mass, of substance and cellulose tested, exhibits a mean pressure rise time less than or equal to the mean pressure rise time of a 1:1 mixture, by mass, of 40% aqueous sodium chlorate solution and cellulose; and

- The criteria for packing group I / [category 1](#) are not met.

PG III /[cat 3](#): - Any substance which, in the 1:1 mixture, by mass, of substance and cellulose tested, exhibits a mean pressure rise time less than or equal to the mean pressure rise time of a 1:1 mixture, by mass, of 65% aqueous nitric acid and cellulose; and

- The criteria for packing groups I and II / [category 1 and 2](#) are not met.

Not Division [an oxidizing liquid](#): - Any substance which, in the 1:1 mixture, by mass, of substance and cellulose tested, exhibits a pressure rise of less than 2 070 kPa gauge; or

Exhibits a mean pressure rise time greater than the mean pressure rise time of a 1:1 mixture, by mass, of 65% aqueous nitric acid and cellulose.

For [the assignment of precedence of hazards for transport purposes, in the case of](#) substances having additional ~~risks~~ hazards, e.g. toxicity or corrosivity, the requirements of [Chapter 2.0](#), section 2.0.3 of the Model Regulations should be met.

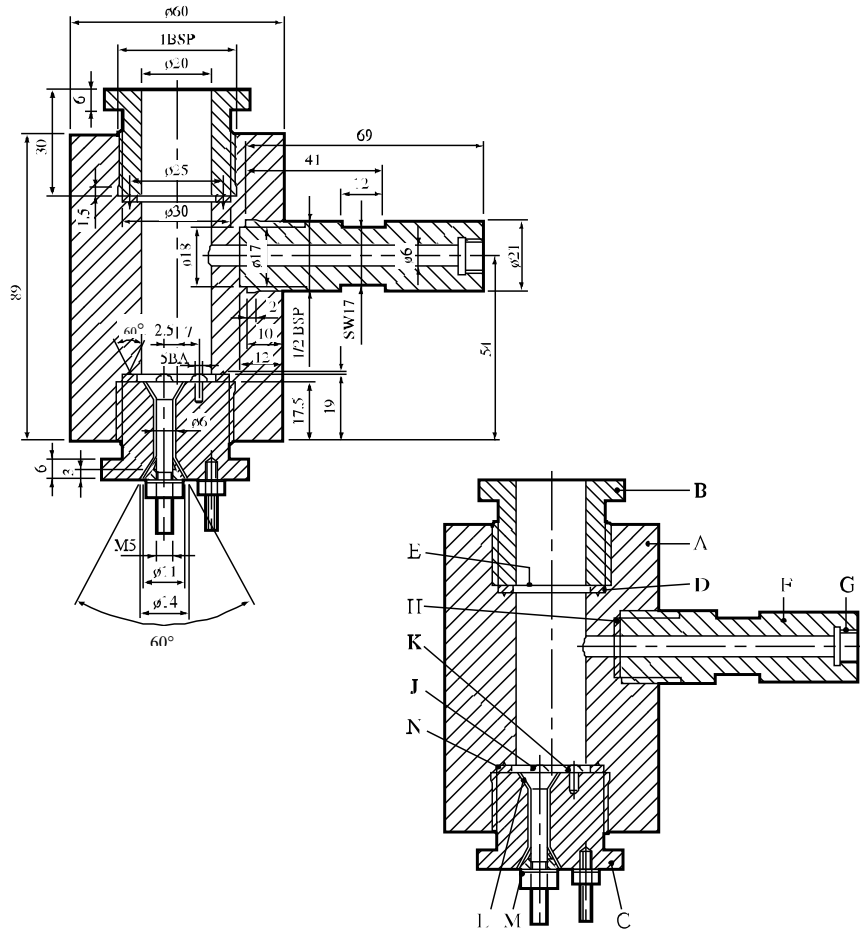
34.4.2.5 *Examples of results*

Substance	Mean pressure rise time for a 1:1 mixture with cellulose (ms)	Results
Ammonium dichromate, saturated aqueous solution	20 800	Not an oxidizing liquid
Calcium nitrate, saturated aqueous solution	6 700	Not an oxidizing liquid
Ferric nitrate, saturated aqueous solution	4 133	PG III / cat 3
Lithium perchlorate, saturated aqueous solution	1 686	PG II / cat 2
Magnesium perchlorate, saturated aqueous solution	777	PG II / cat 2
Nickel nitrate, saturated aqueous solution	6 250	Not an oxidizing liquid
Nitric acid, 65%	4 767 ^a	PG III / cat 3 ^b
Perchloric acid, 50%	121 ^a	PG II / cat 2
Perchloric acid, 55%	59	PG I / cat 1
Potassium nitrate, 30% aqueous solution	26 690	Not an oxidizing liquid
Silver nitrate, saturated aqueous solution	^c	Not an oxidizing liquid
Sodium chlorate, 40% aqueous solution	2 555 ^a	PG II / cat 2
Sodium nitrate, 45% aqueous solution	4 133	PG III / cat 3
<i>Inert substance</i>		
Water:cellulose	^c	

^a Mean value from inter-laboratory comparative trials.

^b Packing group III by the test but [transport Class 8](#) by the Precedence of Hazards table ([see Chapter 2.0, section 2.0.3 of the Model Regulations](#)).

^c Maximum pressure of 2 070 kPa not reached.



- | | |
|--------------------------------|----------------------------------|
| (A) Pressure vessel body | (B) Bursting disc retaining plug |
| (C) Firing plug | (D) Soft lead washer |
| (E) Bursting disc | (F) Side arm |
| (G) Pressure transducer thread | (H) Washer |
| (J) Insulated electrode | (K) Earthed electrode |
| (L) Insulation | (M) Steel cone |
| (N) Washer distorting groove | |

Figure 34.4.2.1: PRESSURE VESSEL

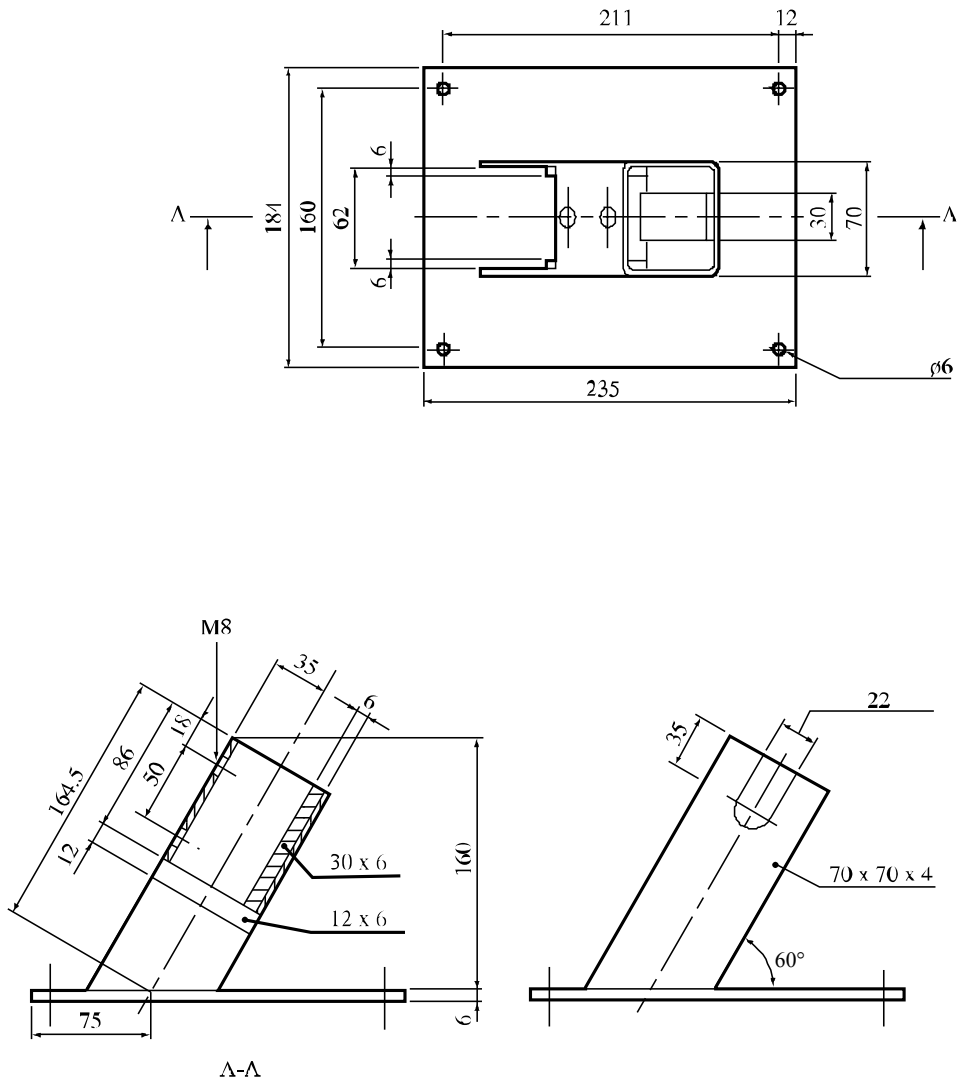
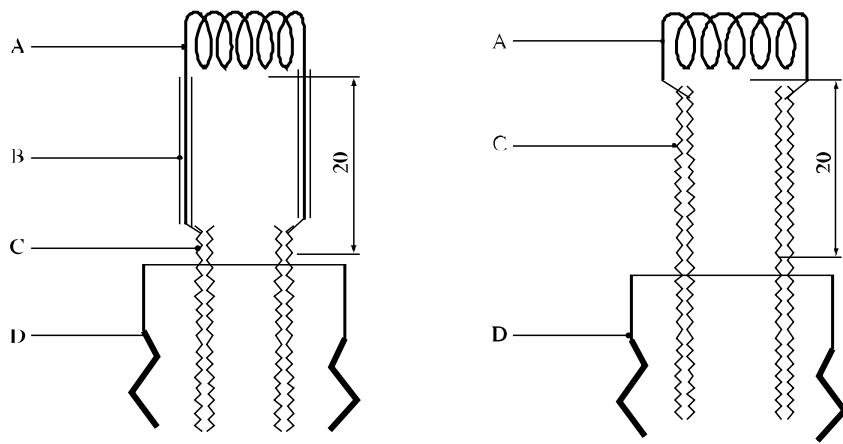


Figure 34.4.2.2: SUPPORT STAND



NOTE: Either of these configurations may be used.

- (A) Ignition coil
- (B) Insulation
- (C) Electrodes
- (D) Firing plug

Figure 34.4.2.3: IGNITION SYSTEM

34.4.3 Test O.3: Gravimetric test for oxidizing solids

34.4.3.1 *Introduction*

This test method is designed to measure the potential for a solid substance to increase the burning rate or burning intensity of a combustible substance when the two are thoroughly mixed. Tests are conducted on the test substance to be evaluated mixed with dry fibrous cellulose in mixing ratios of 1:1 and 4:1, by mass. The burning rates of these mixtures are compared to the reference mixture of calcium peroxide and cellulose in a mixing ratio of 1:2, by mass. The mass loss of the mixtures during combustion is determined using a balance connected to a suitable data recording system, and is recorded as a function of time. If the burning rate (g/s) is equal to or greater than the burning rate of the reference mixture for Packing Group III / [category 3](#), it is then compared to the burning rate of the reference mixtures for Packing Group I or II / [category 2 or 3](#) (see table in 34.4.3.4).

The GHS also refers to this test for classification within the hazard class Oxidizing Solids. For the ranking according to oxidizing power, the GHS uses three categories which correspond exactly to the Packing Groups used within the transport of dangerous goods regime. The GHS categories 1, 2 and 3 thus correspond directly to Packing Groups I, II and III, respectively.

It is useful to have preliminary information on any potentially explosive properties of the substance before performing the test, screening procedures can be found in Appendix 6. This test is not applicable for substances which are explosive or flammable and also not for organic peroxides.

34.4.3.2 *Materials*

34.4.3.2.1 Technically pure, finely powdered calcium peroxide with a concentration of $75\% \pm 0.5\%$ is required as the reference oxidizer. The concentration of impurities such as chlorides or compounds which generate water during combustion should be low, as they may impact on the burning behavior of the reference piles. Calcium peroxide meeting the specification below can be used without further pretreatment.¹⁴

CaO ₂ :	75% ± 0.5%
Ca(OH) ₂ :	20% to 25%
CaCO ₃ :	0% to 5%
Chloride:	max 500 ppm
Particle size:	min 99% < 75 µm, and thereof min 50% < 20 µm

34.4.3.2.2 Dried fibrous cellulose with a fibre length between 50 µm and 250 µm and a mean diameter of 25 µm is used as the combustible material. It is dried to constant mass (for a minimum of 4 hours), in a layer no more than 25 mm thick, at 105 °C and kept in a desiccator (with desiccant) until cool and required for use. The water content should be less than 0.5% by dry mass. If necessary, the drying time should be prolonged to achieve this. The bulk density of the cellulose used for the test should be such (sufficiently high) that the test mixture for Packing Group III / [category 3](#) (30.0 g ± 0.1 g) can be completely accommodated in the conical funnel.

34.4.3.2.3 The test-substance, in the form in which it will be presented, should be inspected for any particles less than 500 µm in diameter. If that powder constitutes more than 10% (by mass) of the total, or if the substance is friable, then the whole of the test sample should be ground to a powder of less than 500 µm before testing, to allow for a reduction in particle size during handling and transport. Because the particle size influences the oxidizing properties of a substance, a coarse oxidizer may be classified as Packing Group III / [category 3](#), while a finer grade of the same material may show a faster burning rate and may result in different GHS classifications and assigned transport Packing Groups for different forms of the same material.

⁴ Obtainable from the national contact for test details in Germany (see Appendix 4).

34.4.3.3 *Apparatus*⁵

34.4.3.3.1 An appropriate balance is required, with a suitable range, accuracy and data transfer capability, equipped with an interface (e.g. USB or RS232) to allow data acquisition. The required data (time, mass) are recorded, preferably with a frequency of at least 5 data per second. Any suitable software capable of recording the output of the balance may be used. It is recommended to check the time frequency of the software and the monitoring of time by a stopwatch maybe useful.

34.4.3.3.2 An ignition source is required, comprising an inert metal wire connected to an electrical power source capable of maintaining the power dissipation specified below. The electrical resistance depends on the wire material. It is recommended to use Nickel/Chromium or AluChrom wire as follows:

- (a) Length = 30 cm ± 1 cm;
- (b) Diameter below 1 mm;
- (c) Electrical power dissipated in the wire = 150 W ± 7 W.

The wire should be shaped as shown in figure 34.4.3.2. It is very important that the power connection to the heating wire is flexible enough to avoid any influence on the proper operation of the balance.

34.4.3.3.3 A 60° funnel, with an internal diameter of 70 mm and sealed at the narrow end, is required to form the mixtures into a truncated conical pile with a base diameter of 70 mm on a cool, impervious, low heat conducting plate.

34.4.3.3.4 An insulating test plate is needed to avoid loss of energy by thermal conduction. A 150 mm by 150 mm test plate with a thickness of at least 6 mm and a thermal conductivity at 0 °C of 0.23 W*m⁻¹*K⁻¹ or less is suitable. Other plates with a similar conductivity may be used. In order to increase the lifetime of the test plate, it may be covered with a thin ceramic sheet with the same low thermal conductivity.

34.4.3.3.5 A fume cupboard or other suitably ventilated area is required but the air stream velocity should be 0.5 m/s or less. ***The fume extraction system should be capable of capturing all toxic fumes.***

34.4.3.3.6 To construct the support for the burning trial on the balance a base plate of solid material (steel or other suitable material), a positioning plate of fire resistant material (the same material as test-plate is recommended) and guide bars are required.

34.4.3.3.7 The air stream of the ventilation must be prevented from affecting the balance and thereby altering the test result. A windshield protecting the complete test equipment against draughts from the ventilation or environment is the preferred means.

34.4.3.3.8 It is mandatory that the burning conical pile is always placed at the centre of the balance. It is also important to protect the balance from heat and burning particles during the test. To achieve this, the following general configuration is recommended (the letters in brackets refer to figure 34.4.3.1):

- (a) Two plates are used to ensure always the same position on the balance and to protect the balance. The base plate (H) is larger than the balance and made of solid material. It is recommended to use some buffers fixed to the lower side to reduce vibrations from the environment. 2 to 4 metal guide bars (G) are fixed on the bottom plate as shown in figure 34.4.3.1 to ensure always the same positioning of the positioning plate (F) and test plate (C) on the balance during testing. The base plate should be rigid enough to keep the guide bars always in a stable position (e.g. 4 mm steel or 16 mm polyamide). The balance has to be placed always at the same central position on the base plate;

⁵ *Technical information about a suitable design and video training are obtainable from the national contact for test details in Germany (Appendix 4)*

- (b) The positioning plate (F) is made of fire resistant low conductivity material, similar in properties to the test plate (see 34.4.3.3.4). The holes drilled in the positioning plate for the bars should be about 8 mm larger in diameter than the bars themselves;
- (c) The bars always have to be positioned in the centre of the holes to prevent any contact between the positioning plate (F) and the bars, in order not to affect the operation of the balance. Some check marks should be fixed on the positioning plate (F) to position the test plate (C) in the correct position in the centre of the balance;
- (d) The electrical connection between the power supply and the heated wire must be flexible enough to avoid interfering with free movement of the balance pan due to resistance or movement. This can be achieved by using a flexible wire and a support close to the test plate. Coiling of the wire between the support and the test plate will provide additional flexibility;
- (e) The windshield (D) can be integral with the bottom plate or placed around the complete test equipment. The windshield should have no gaps at the bottom. The windshield itself should be closed and about 10 cm higher than the equipment to prevent air streams from the top.

34.4.3.4 Procedure

The following samples are required:

<i>Sample</i>	<i>Components</i>	<i>Mixing ratio by mass</i>
Test substance mixture 1:1	Test substance and cellulose	1:1
Test substance mixture 4:1	Test substance and cellulose	4:1
Reference mixture for PG I / cat 1	Reference substance and cellulose	3:1
Reference mixture for PG II / cat 2	Reference substance and cellulose	1:1
Reference mixture for PG III / cat 3	Reference substance and cellulose	1:2

34.4.3.4.1 30.0 g ± 0.1 g of each of the reference mixtures and 30.0 g ± 0.1 g of both mixtures of the test substance are prepared. Each mixture should be mixed mechanically as thoroughly as possible for at least 1 minute, but without excessive stress. Each mixture should be prepared individually, used as soon as possible, and not taken from a batch.

34.4.3.4.2 Using the conical funnel, the mixture should be formed into a truncated conical pile with a base diameter of 70 mm. Form the pile by tapping the funnel slightly after filling; cover the funnel with the test plate -including the sheet (if any)- and invert both. Tap slightly on the funnel before removing. The pile should now cover the looped ignition wire resting on test plate. The test should be performed at atmospheric pressure with an ambient temperature of 20 °C ± 5 °C and a relative humidity below 60%, to reduce absorption of moisture by the cellulose during handling.

34.4.3.4.3 The balance, placed in the ventilated area as mentioned above is set to zero. Power is applied to the ignition wire and is maintained for the duration of the test, or for three minutes if the mixture does not ignite and burn. Data collection should start a few seconds before the power supply is switched on, and should proceed until the reaction ends or the mass loss over 1 minute is less than 1 g. If the heating wire breaks, the test should be repeated to ensure that early breakage of the wire does not influence the test result.

34.4.3.5 Test criteria and method of assessing results

34.4.3.5.1 The results are assessed on the basis of:

- (a) The comparison of the mean burning rate with those of the reference mixtures;
- (b) Whether the mixture of the test substance and cellulose ignites and burns.

34.4.3.5.2 The combustion of the conical pile can be divided into three periods:

- (a) Start period: between 0% and 20% of the total mass loss;
- (b) Main combustion period: between 20% and 80% of the total mass loss; and
- (c) End of the reaction: between 80% mass loss and the end of the reaction.

In the main combustion period the mass loss per unit time is quite constant. For this reason a linear regression (based on the least square approach) can be used to check the quality of the data collected.

34.4.3.5.3 The burning rate (BR) depends on the burning intensity and the amount of cellulose in the mixture. It is therefore defined as the quotient of 60% of the total amount of cellulose in the conical pile and the main combustion time t_{20-80} . The time t_{20-80} is the time between 20% and 80% of the total mass loss. The total mass loss is the difference in mass before ignition and at the end of the main reaction, defined as a rate of mass loss rate of less than 1 g per minute.

The burning rate BR_{20-80} is therefore calculated by the following equation:

$$BR_{20-80} = \frac{0.6 \times m_{\text{cellulose}}}{t_{20-80}}$$

where:

- BR_{20-80} = burning rate between 20% to 80% in g/s
- $m_{\text{cellulose}}$ = mass of cellulose in mixture in gram
- t_{20-80} = burning time between 20% to 80% of total mass loss in seconds

The profile of each burning test has to be examined by plotting the mass loss as a function of time. The graph can also be used for decision making and should be used in case of doubt. The coefficient of correlation (R^2) of the mass curve of each burning test should be at least 0.95 between 20% to 80% mass loss, otherwise the burning trial has to be repeated. Five valid tests should be performed with each reference and test substance mixture. The standard deviation of the burning rates within these five tests should not exceed 10% in total.

34.4.3.5.4 The test criteria for determining ~~transport~~-Packing Groups / Categories on basis of the oxidizing properties of the substance are:

PG I / [cat 1](#): Any substance which, in the 4:1 or 1:1 sample-to-cellulose ratio (by mass) tested, exhibits a mean burning rate greater than the mean burning rate of a 3:1 mixture, by mass, of calcium peroxide and cellulose.

PG II / [cat 2](#): Any substance which, in the 4:1 or 1:1 sample-to-cellulose ratio (by mass) tested, exhibits a mean burning rate equal to or greater than the mean burning rate of a 1:1 mixture (by mass) of calcium peroxide and cellulose and the criteria for Packing Group I / [category 1](#) are not met.

PG III / [cat 3](#): Any substance which, in the 4:1 or 1:1 sample-to-cellulose ratio (by mass) tested, exhibits a mean burning rate equal to or greater than the mean burning rate of a 1:2 mixture (by mass) of calcium peroxide and cellulose and the criteria for Packing Groups I and II / [category 1 and 2](#) are not met.

Not [an oxidizing solid](#): Any substance which, in both the 4:1 and 1:1 sample-to-cellulose ratio (by mass) tested, does not ignite and burn, or exhibits mean burning rates less than that of a 1:2 mixture (by mass) of calcium peroxide and cellulose.

[For the assignment of precedence of hazards for transport purposes, in the case of substances having additional hazards, e.g. toxicity or corrosivity, the requirements of Chapter 2.0, section 2.0.3 of the Model Regulations should be met.](#) ~~For substances having other risks, e.g. toxicity or corrosivity, section 2.0.3 of the Model Regulations applies.~~

~~In GHS terminology, the test criteria for determining the classification due to the oxidizing properties of a solid substance are analogous to those used in transport:~~

~~Category 1: Any substance which, in the 4:1 or 1:1 sample to cellulose ratio (by mass) tested, exhibits a mean burning rate greater than the mean burning rate of a 3:1 mixture (by mass) of calcium peroxide and cellulose.~~

~~Category 2: Any substance which, in the 4:1 or 1:1 sample to cellulose ratio (by mass) tested, exhibits a mean burning rate equal to or greater than the mean burning rate of a 1:1 mixture (by mass) of calcium peroxide and cellulose and the criteria for Category 1 are not met.~~

~~Category 3: Any substance which, in the 4:1 or 1:1 sample to cellulose ratio (by mass) tested, exhibits a mean burning rate equal to or greater than the mean burning rate of a 1:2 mixture (by mass) of calcium peroxide and cellulose and the criteria for Category 1 and 2 are not met.~~

~~Not an Oxidizing Solid: Any substance which, in both the 4:1 and 1:1 sample to cellulose ratio (by mass) tested, does not ignite and burn, or exhibits mean burning rates less than that of a 1:2 mixture (by mass) of calcium peroxide and cellulose.~~

34.4.3.5.5 If a false positive result is suspected, the results obtained when testing the substance mixed with an inert material and/or when testing under an inert atmosphere should also be considered when interpreting the results.

34.4.3.5.6 If the shape of the mass loss curve indicates the test is invalid, the mixing procedure or test set-up affecting free movement of the balance pan should be examined.

34.4.3.6 Example of results

NOTE: *The results given in this table should be understood as illustrative examples since the results obtained with a particular oxidizer will depend on the particle size etc. The test results of the examples are not intended to form the basis for classifications (see also 2.14.4.2.1 of Chapter 2.14 in Part 2 of the GHS and 2.5.2.1.1 of Chapter 2.5 in the Model Regulations, respectively).*

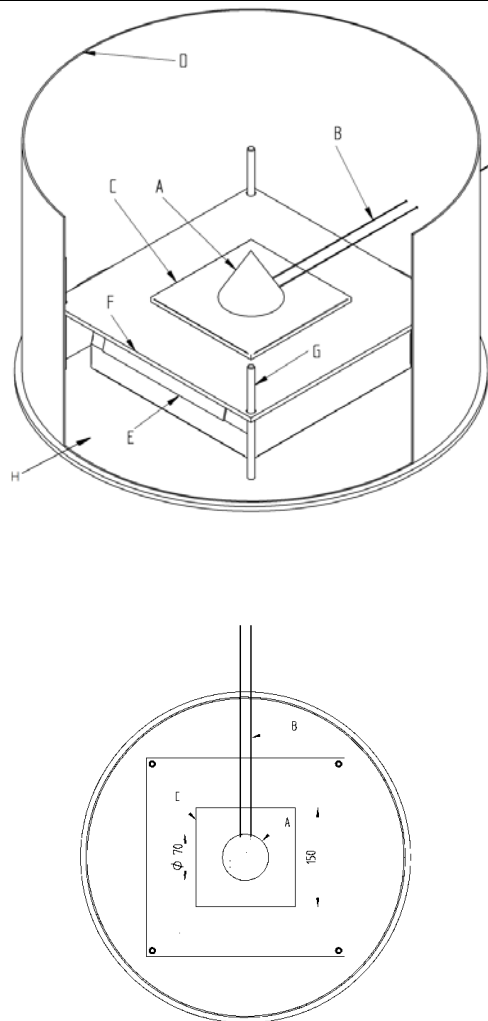
Substance	Particle size, median value (D50 [μm])	Resulting Packing Group / category
Ammonium dichromate	300	III / <u>3</u> ¹
Calcium nitrate (tetra hydrate)	1050	III / <u>3</u> ¹
Cobalt nitrate (hexahydrate)	1200	Not 5.1 <u>an oxidizing solid</u> ¹
Nickel nitrate	1200	Not 5.1 <u>an oxidizing solid</u> ¹
Potassium nitrite	200	I / <u>1</u> ^{2,a}
Potassium perchlorate	220	II / <u>2</u> ¹
Potassium perchlorate	30	II / <u>2</u> ²
Potassium permanganate	200	I / <u>1</u> ^{1,2,a}
Sodium chlorate	220	I / <u>1</u> ^{2,a}
Sodium nitrite	320	II / <u>2</u> ^{1,b}
Sodium nitrate	200	II / <u>2</u> ^{1,b}
Strontium nitrate (anhydrous)	250	Not 5.1 <u>an oxidizing solid</u> ¹

^a Currently PG II / cat 2

^b Currently PG III / cat 3

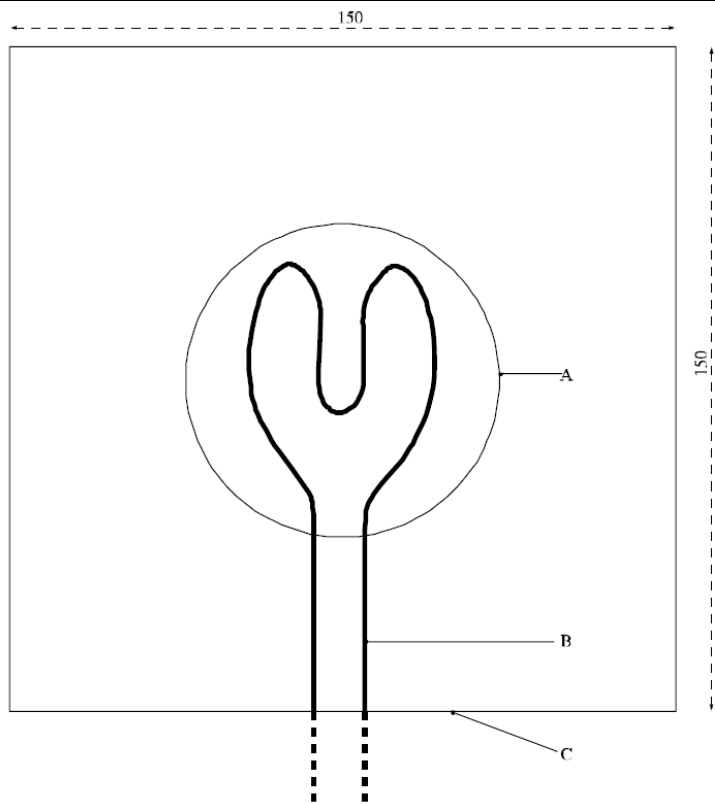
¹ Solvay

² BAM



- (A) Conical pile
- (B) Heating wire
- (C) Test plate
- (D) Wind shield
- (E) Balance with interface
- (F) Positioning plate
- (G) Bars to fix positioning plate (F) and test plates (C) at defined location on balance
- (H) Base plate

Figure 34.4.3.1: Scheme of UN O.3 Test configuration



- (A) Conical pile (base)
- (B) Heating wire
- (C) Test plate

Figure 34.4.3.2: TEST PLATE AND IGNITION WIRE

~~SECTION~~ CHAPTER 35

**DETERMINATION OF CHEMICAL INSTABILITY
OF GASES AND GAS MIXTURES**

35.0 Introduction

This section presents the United Nations scheme for the classification of gases and gas mixtures as chemically unstable. The text should be used in conjunction with the classification principles given in Chapter 2.2 of the Globally Harmonized System of Classification and Labelling of Chemicals (GHS) and the test methods given in this ~~section~~ [chapter](#).

35.1 Purpose

35.1.1 This test method is used to determine the chemical instability of a gas or gas mixture by ignition tests in a closed vessel at ambient and elevated temperature and pressure.

35.1.2 For the purposes of this test method the following definitions apply:

Chemical instability means the propensity of a gas or gas mixture to react dangerously even in the absence of any reaction partner (e.g. air or oxygen) by decomposing and thereby causing a temperature and/or pressure increase;

Test gas means the gas or gas mixture to be evaluated by this test method;

Corresponding initial pressure means the pressure at which the test at 65 °C is carried out. For test gases that are completely gaseous the corresponding initial pressure is the pressure that a gas develops at 65 °C based on the maximum (filling) pressure at ambient temperature. For liquefied test gases the corresponding initial pressure is the vapour pressure at 65 °C.

35.2 Scope

35.2.1 The test method does not cover gas decomposition under process conditions in chemical plants and possible dangerous reactions between different gases in gas mixtures.

35.2.2 Mixtures of gases, where the components can react dangerously with each other, e.g. flammable and oxidizing gases, are not regarded as chemically unstable in the sense of this test method.

35.2.3 If the calculations in accordance with ISO 10156:2010 show that a gas mixture is not flammable it is not necessary to carry out the tests for determining chemical instability for classification purposes.

35.2.4 Expert judgement should be applied to decide whether a flammable gas or gas mixture is a candidate for classification as chemically unstable in order to avoid unnecessary testing of gases where there is no doubt that they are stable. Functional groups indicating chemical instability in gases are triple-bonds, adjacent or conjugated double-bonds, halogenated double-bonds and strained rings.

35.3 Concentration limits

35.3.1 Generic concentration limits

35.3.1.1 Gas mixtures containing only one chemically unstable gas are not considered as chemically unstable and therefore do not have to be tested for classification purposes if the concentration of the chemically unstable gas is below the higher of the following generic concentration limits:

- (a) The lower explosion limit (LEL) of the chemically unstable gas; or
- (b) 3 mole percent (mol %).

35.3.2 Specific concentration limits

35.3.2.1 The following tables contain information about some gases with regard to their classification as chemically unstable. Specific concentration limits for their mixtures are given. Gas mixtures containing only one chemically unstable gas in concentrations below the specific concentration limit are not considered as chemically unstable and therefore do not have to be tested for classification purposes.

Table 35.1: Information about gases with regard to their chemical instability and concentration limits for their mixtures below which the mixtures are not classified as chemically unstable

Information about the pure gas					Information about its mixtures
Chemical Name	Molecular formula	CAS No.	UN No.	Classification	Specific concentration limit (see Notes 1 and 2)
Acetylene	C ₂ H ₂	74-86-2	1001 3374	Chem. Unst. Cat. A	See Table 35.2 For other mixtures: Partial pressure of 1 bar abs
Bromotrifluoro-ethylene	C ₂ BrF ₃	598-73-2	2419	Chem. Unst. Cat. B	8.4 mol % (LEL)
Butadiene-1,2	C ₄ H ₆	590-19-2	1010	Not classified as chemically unstable	
Butadiene-1,3	C ₄ H ₆	106-99-0	1010	Not classified as chemically unstable	
Butyne-1, Ethylacetylene	C ₄ H ₆	107-00-6	2452	Chem. Unst. Cat. B	The specific concentration limits for acetylene may be applied, see Table 35.2. For other mixtures: Partial pressure of 1 bar abs
Chlorotrifluoro-ethylene	C ₂ ClF ₃	79-38-9	1082	Chem. Unst. Cat. B	4.6 mol % (LEL)
Ethylene oxide	C ₂ H ₄ O	75-21-8	1040	Chem. Unst. Cat. A	15 mol % for mixtures containing rare gases. 30 mol % for other mixtures
Vinyl methyl ether	C ₃ H ₆ O	107-25-5	1087	Chem. Unst. Cat. B	3 mol %
Propadiene	C ₃ H ₄	463-49-0	2200	Chem. Unst. Cat. B	The specific concentration limits for acetylene may be applied, see Table 35.2. For other mixtures: Partial pressure of 1 bar abs
Propyne	C ₃ H ₄	74-99-7	3161	Chem. Unst. Cat. B	The specific concentration limits for acetylene may be applied, see Table 35.2. For other mixtures: Partial pressure of 1 bar abs
Tetrafluoro-ethylene	C ₂ F ₄	116-14-3	1081	Chem. Unst. Cat. B	10.5 mol % (LEL)
Trifluoro-ethylene	C ₂ HF ₃	359-11-5	1954	Chem. Unst. Cat. B	10.5 mol % (LEL)
Vinyl bromide	C ₂ H ₃ Br	593-60-2	1085	Chem. Unst. Cat. B	5.6 mol % (LEL)
Vinyl chloride	C ₂ H ₃ Cl	75-01-4	1086	Chem. Unst. Cat. B	3.8 mol % (LEL)
Vinyl fluoride	C ₂ H ₃ F	75-02-5	1860	Chem. Unst. Cat. B	3 mol %

NOTE 1: The maximum pressure should be limited in order to avoid condensation.

NOTE 2: *The test method is not applicable to liquefied gas mixtures. In case the gaseous phase above a liquefied gas mixture may become chemically unstable after withdrawal, this shall be communicated via the safety data sheet.*

Table 35.2: Specific concentration limits for binary mixtures with acetylene. These concentration limits may also be applied to butyne-1 (ethylacetylene), propadiene and propyne

Concentration limit for acetylene in mol %	Maximum (filling) pressure in bar for a mixture with						
	N ₂	CO ₂	NH ₃	H ₂	CH ₄	C ₃ H ₈	C ₂ H ₄
3.0	200.0				200.0		
4.0	100.0						
5.0				40.0			40.0
6.0	80.0						
8.0	60.0						
10.0	50.0	38.0	5.6	20.0	100.0	6.0	20.0
15.0	30.0	30.0		10.0			10.0
20.0	25.0	20.0	6.2	5.0	50.0	6.6	7.5
25.0	20.0	15.0					5.0
30.0	10.0	10.0	6.9		25.0	7.3	
35.0			7.3				
40.0					15.0	8.2	
45.0							
50.0					5.0	9.3	
60.0						10.8	

35.4 Test method

35.4.1 Introduction

35.4.1.1 The propensity of a gas to decompose depends strongly on pressure, temperature and in case of gas mixtures on the concentration of the chemically unstable component. The possibility of decomposition reactions shall be evaluated at conditions which are relevant for handling and use and transport. Therefore two types of tests shall be performed:

- (a) At ambient temperature and pressure,
- (b) At 65 °C and the corresponding initial pressure.

35.4.2 Apparatus and material

35.4.2.1 The test apparatus (see Figure 35.1) consist of a pressure resistant test vessel (heatable) made of stainless steel; an ignition source; a measuring and recording system to record the pressure inside the ignition vessel; a gas supply; a venting system with bursting disc and additional piping, fitted with remote-controlled valves and cocks.

- (a) Pressure resistant test vessel

The test vessel is a cylindrical stainless steel vessel with an inner volume of about 1 dm³ and an inner diameter of 80 mm. An exploding wire ignition source is screwed into the bottom of the vessel. The vessel is equipped with a heating jacket which is connected to a temperature control unit that heats the outer vessel wall with an accuracy of ± 2 K. The test vessel is insulated with temperature resistant insulation material to avoid heat loss and temperature gradients. The test vessel shall be pressure resistant up to 500 bar (50 MPa).

- (b) Exploding wire igniter

The ignition source is an exploding (fusing) wire igniter similar to that described in ASTM E 918 and EN 1839. The igniter consists of two insulated electrodes at 3 mm to 6 mm distance, holding a nickeline wire of 0.12 mm diameter at its ends. The ignition energy is provided by a 1.5 kVA/230 (115) V insulating transformer, which is switched for a short time period to this igniter. The wire melts and then an electrical arc burns between the electrodes for a period extending in maximum to half a period of the supply voltage (10 (8.3) ms). An electronic control unit allows switching different time periods of the mains voltage half wave to the igniter. The corresponding energy delivered shall be in the range of 15 J ± 3 J. The energy can be measured by recording the current and voltage during ignition.

- (c) Pressure and temperature recording equipment

The pressure inside the ignition vessel shall be measured with a calibrated piezoresistive pressure transducer. The measuring range shall be 20 times higher than the initial pressure. The sensitivity shall be at least 0.1% of the full scale and the accuracy shall be better than 0.5% of the full scale.

The temperature of the ignition vessel shall be measured and controlled with a 3 mm thermocouple type "K" (NiCr/NiAl) mounted 50 mm below the top inside the autoclave.

After ignition the digitized pressure signal shall be recorded with a computer. The initial pressure (p₀) and the highest pressure (p_{ex}) are derived from the raw data.

- (d) Gas supply

Two different types of gas supply are necessary, one for test gases that are completely in the gaseous phase and one for liquefied test gases. Test gases in the gaseous phase are metered volumetric or by flow measurement and liquefied test gases are metered gravimetric.

- (e) Bursting disc

The bursting disc is supposed to protect the test vessel. It is connected to a vent pipe for the exhaust gas. The free diameter of the bursting disc should be at least 10 mm, the inner diameter of the pipe at least 15 mm. The opening pressure of the bursting disc shall amount to 250 bar (25 MPa).

(f) Additional piping and valves

The piping and valves which are fitted directly to the test vessel, shall be pressure resistant up to 500 bar (50 MPa). The test apparatus shall be operated by remotely operated valves.

35.4.3 *Test procedure*

35.4.3.1 The test gas is charged into a pressure resistant stainless steel vessel at controlled temperature and pressure. The vessel is equipped with a bursting disc. Ignition of the test gas is achieved with an exploding wire igniter. Whether a decomposition reaction has occurred is deduced from the pressure rise produced.

35.4.3.2 The tests shall be executed in the following sequence:

(a) Test at ambient temperature and pressure

For the tests at 20 °C and 1.01 bar (101.3 kPa) the exploding wire igniter shall be arranged in the middle of the test vessel. The test vessel and the piping are evacuated. The test gas is filled into the test vessel by using the remotely operated valves until ambient pressure (initial pressure) is reached. After closing the valves the igniter is fired. The ignition energy shall be about 15 J to avoid over-initiation in the test vessel at this relatively low pressure. Criterion for a reaction is a pressure rise of more than 20% after ignition ($f = p_{ex}/p_0 > 1.20$). If no such pressure rise has occurred two further re-tests shall be carried out.

If the test gas shows a pressure rise of more than 20% in either of the tests it is to be classified as "chemically unstable at 20 °C and a standard pressure of 101.3 kPa". No further tests are required.

(b) Test at elevated temperature and pressure

If in the tests according to 35.4.3.2 (a) no pressure rise of more than 20% has occurred, further tests at 65 °C and the corresponding initial pressure shall be performed. The procedure is the same as in 35.3.3.2 (a) but care should be taken with potentially unstable gases under pressure. The ignition energy shall be about 15 J. If no pressure rise of more than 20% has occurred two further re-tests shall be carried out.

If the test gas shows a pressure rise of more than 20% in either of the tests it is to be classified as "chemically unstable at a temperature greater than 20 °C and/or a pressure greater than 101.3 kPa".

35.4.4 *Safety precautions*

35.4.4.1 Adequate shielding of the test apparatus must be provided to prevent injury in the event of equipment rupture. The apparatus is to be set up in such a way that the operator does not have to be in the same room as long as the vessel contains test gas. Alternatively, the test apparatus is separated by a blast proof barrier from the operator. Activation of the ignition source should be possible only from a position shielded from the test vessel.

35.4.4.2 The test vessel shall be fitted with a bursting disc connected to a vent pipe that allows venting the exhaust gas safely. Therefore it has to be taken into account that the exhaust gas can be hazardous itself (e.g. flammable or toxic).

35.4.4.3 The gas cylinder containing the test gas shall be equipped with a non-return valve and shall be separated from the test apparatus before the igniter is fired to avoid backfiring into the cylinder. The cylinder valve has to be closed immediately after finishing the filling.

35.4.4.4 Some chemically unstable gases can explode very violently especially at higher pressures. Therefore it is strongly recommended to start with the experiments at atmospheric pressure.

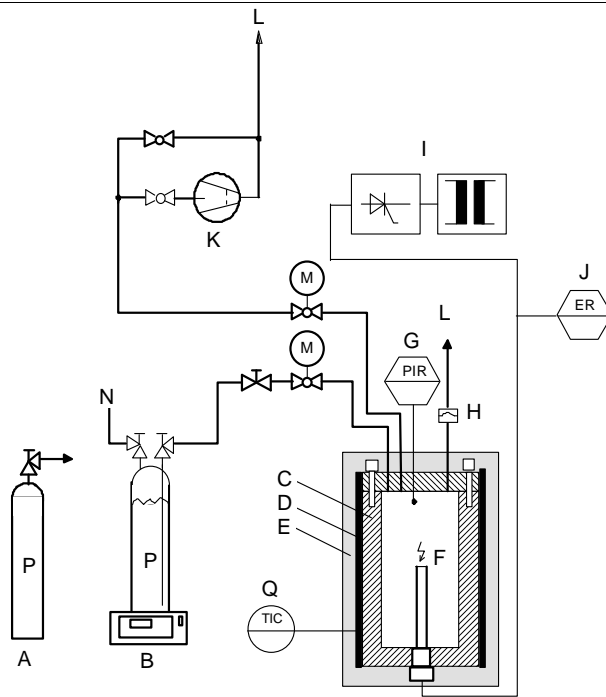
35.4.5 *Test criteria and method of assessing results*

35.4.5.1 Chemically unstable gases or gas mixtures shall be classified as “chemically unstable at 20 °C and a standard pressure of 101.3 kPa” or “chemically unstable at a temperature greater than 20 °C and/or a pressure greater than 101.3 kPa” according to the test results as follows:

- (a) The gas is classified as “chemically unstable at 20 °C and a standard pressure of 101.3 kPa” if the test at 20 °C and 1.01 bar (101.3 kPa) shows a pressure rise of more than 20% of the initial absolute pressure;
- (b) The gas is classified as “chemically unstable at a temperature greater than 20 °C and/or a pressure greater than 101.3 kPa” if the test at 65 °C and the corresponding initial pressure shows a pressure rise of more than 20% of the initial absolute pressure but no such pressure rise at 20 °C and 1.01 bar (101.3 kPa).

35.4.5.2 The gas is not classified according to this test method (i.e. it is chemically stable) if it does not show a pressure rise of more than 20% of the initial absolute pressure in either of the tests.

NOTE: *Chemically unstable gases not submitted to the classification procedure in this section should be classified as chemically unstable, Category A (see Chapter 2.2 of the GHS).*



(A)	Test gas supply (gaseous)	(B)	Test gas supply (liquefied)
(C)	Pressure resistant test vessel	(D)	Regulated electric heater
(E)	Thermal insulation	(F)	Exploding wire igniter
(G)	Pressure sensor, pressure indication and registration (PIR)	(H)	Bursting disc
(I)	Electronic ignition device	(J)	Energy registration (ER)
(K)	Vacuum pump	(L)	Exhaust gas
(M)	Motor controlled valve	(N)	Pressurized helium
(P)	Test gas	(Q)	Temperature sensor, temperature indication and control (TIC)

Figure 35.1: TEST APPARATUS

[36. Reserved ~~for classification procedures, test methods and criteria relating to Class 7~~] |

SECTION-CHAPTER 37

**CLASSIFICATION PROCEDURES, TEST METHODS AND CRITERIA
RELATING TO SUBSTANCES ~~OF CLASS 8~~ CORROSIVE TO METALS**

37.1 Purpose

37.1.1 This section presents the ~~United Nations~~-scheme for the classification of ~~corrosive~~-substances ~~corrosive to metals of Class 8~~ (see [Chapter 2.8](#), sections 2.8.1 and 2.8.2 of the Model Regulations and [Chapter 2.16 of the GHS](#)).

[37.1.2](#) The test method for corrosion is given in sub-section 37.4 of this Manual. The method for determining corrosion to skin is provided in OECD Guideline 404 or 435 and the criteria are provided in Chapter 2.8 of the Model Regulations and [Chapter 3.2 of the GHS](#). If a substance is shown to be corrosive to skin, then it is not necessary to conduct the tests for metal corrosion for the purposes of classification.

[37.1.3](#) In assigning the packing group to a substance or mixture in accordance with [Chapter 2.8, paragraph 2.8.2.2 of the Model Regulations](#), account shall be taken of human experience in instances of accidental exposure. In the absence of human experience, the grouping shall be based on data obtained from experiments with OECD test guidelines 404 or 435. A substance or mixture which is determined not to be corrosive in accordance with OECD test guideline 430 or 431 may be considered not to be corrosive to skin for the purposes of classification without further testing.

37.2 Scope

37.2.1 New products ~~offered for transport~~ shall be subjected to the classification procedures as set out in [Chapter 2.8](#), paragraph 2.8.2.5 (c) (ii) of the Model Regulations and [Chapter 2.16, paragraph 2.16.2 of the GHS](#) unless it is impracticable (e.g. because of the physical properties) to perform the tests. Substances which cannot be tested shall be classified by analogy with existing entries. ~~The classification procedure shall be undertaken before a new product is offered for transport.~~

37.3 Classification procedure

The following test procedures are designed to assess the corrosion hazard for an appropriate classification ~~for transport~~.

37.4 Test methods for corrosion to metals

37.4.1 Introduction

37.4.1.1 Test C.1: ~~Test for determining the corrosive properties of liquids and solids that may become liquid during transport as dangerous goods of Class 8, packing group III.~~

Comment [Ed9]: Why is this test called C.1, gives only confusion with Part II.

37.4.2 Apparatus and material

For exposure to the medium being classified the specimens shall consist of 2 mm thick plates and shall be made of the following materials:

- Aluminium, non-clad types 7075-T6 or AZ5GU-T6 and
- Steel type, S235JR+CR (1.0037 resp. St 37-2), S275J2G3+CR (1.0144 resp. St 44-3), ISO 3574, Unified Numbering System (UNS) G10200 or SAE 1020 (see Figure 37.4.1).

Comment [Ed10]: it was proposed to make this text more general, suggestions are welcome

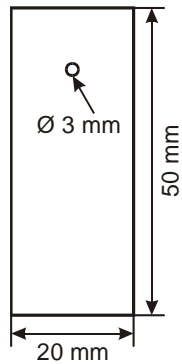


Figure 37.4.2.1: SPECIMEN

At least 3 sets of specimens shall be used for each metal (aluminium, steel). A cup-like reaction receptacle (of glass or PTFE) as shown in Figure 37.4.2.2 with three necks of suitable size (e.g. NS92/32 as well as one neck NS14) to accommodate the specimen as illustrated in Figure 37.4.2.1 and a fourth neck of sufficient size to accommodate a reflux condenser shall be used. The entrance of air into the receptacle shall be ensured. Aluminium and steel specimens shall be tested in different reaction receptacles. To prevent liquid loss a reflux condenser shall be attached (see Figure 37.4.2.2).



Figure 37.4.2.2: EXPOSURE RECEPTACLE WITH REFLUX CONDENSER

In order to carry out the test, the substance being classified shall have a minimum volume of 1.5 l to ensure enough reactive agent during the whole exposure time. Very long testing periods without changing the solution will sometimes give negative results. To get correct results and to avoid re-testing, the following items should be taken into account:

- (a) Fresh solutions shall be provided during the course of the test;
- (b) The volume should be large enough to avoid any appreciable change in its corrosivity during the test;

NOTE: If problems are expected, the composition should be checked by analysis at the end of the test to determine the extent of change in composition, such as might result from evaporation or depletion.

37.4.3 Procedure

Metal sheets shall be polished with grinding paper of 120 grit. After removing the grinding remainings with alcohol in an ultrasound bath and degreasing with acetone, the metal specimens shall be weighed out to ± 0.0002 g. No chemical surface preparation (pickling, etching etc.) shall be performed to prevent surface "irritations" (inhibition, passivation). Specimens shall be fixed inside the receptacle by non-extruded PTFE-threads. Metal wire shall not be used. The test with the so prepared metals shall be initiated the same day to prevent reformation of oxide layer unless appropriate measures are taken to preserve the samples for further testing. For each test one metal specimen shall be dipped into the solution, another one only half way and a third one shall hang in the gas phase. The distance between the upper edge of the completely inserted specimen and the surface of the liquid shall be 10 mm. Losses of liquid shall be avoided.

The test temperature of $55 \text{ }^\circ\text{C} \pm 1$ shall be maintained throughout the test including the vapour phase as well.

Sheets shall be exposed at these stable conditions for at least one week (168 ± 1 hour).

After finishing the test, the metal specimens shall be rinsed off and cleaned with a brush with synthetic or natural bristles (no metal). For non-mechanically removable remainings (adherent corrosion product or depositions) inhibited pickling solutions should be used. In those cases an unexposed reference specimen needs to be treated in the same manner (time, temperature, concentration, surface preparation) to determine the mass loss caused by the pickling solution. This value needs to be subtracted before evaluating the corrosion rate. After final cleaning with alcohol and acetone in an ultrasound bath, and once dry, the metal samples shall be weighed. The resulting mass under consideration of the specific mass of the metal leads to the corrosion rate.

37.4.4 Test criteria and method of assessing results

Two types of corrosion behaviour need to be distinguished.

37.4.4.1 *Test evaluation at uniform corrosion*

In case of uniform corrosion attack the mass loss of the most corroded sample shall be used. The test is considered positive if for any specimen the mass loss on the metal specimen is more than the amount stated in the following table:

Table 37.4.4.1: Minimum mass loss of specimens after different exposure times

exposure time	mass loss
7 days	13.5%
14 days	26.5%
21 days	39.2%
28 days	51.5%

NOTE: These values are calculated based on a 6.25 mm/year corrosion rate.

37.4.4.2 *Test evaluation at localised corrosion*

When localised corrosion occurs besides or instead of uniform corrosion attack of surface, the depth of the deepest hole respectively the strongest thickness reduction will be added or only be used to determine the intrusion. If the deepest intrusion (to be determined metallographically) exceeds the values shown in the following table, the result is considered positive.

Table 37.4.4.2: Minimum intrusion depths after exposure time

exposure time	min. intrusion depth
7 days	120 µm
14 days	240 µm
21 days	360 µm
28 days	480 µm

SECTION-CHAPTER 38

**CLASSIFICATION PROCEDURES, TEST METHODS AND
CRITERIA RELATING SUBSTANCES AND ARTICLES OF TRANSPORT TO
CLASS 9**

38.1 Introduction

This section contains classification procedures, test methods and criteria relating to substances and articles of [transport](#) Class 9.

38.2 Ammonium nitrate fertilizers capable of self-sustaining decomposition

38.2.1 Purpose

38.2.1.1 This section of the Manual presents the United Nations scheme for the classification of ammonium nitrate fertilizers of [transport](#) Class 9 (see UN 2071 and special provision 193 of the Model Regulations). The test procedure is designed to assess if an ammonium nitrate fertilizer is capable of undergoing self-sustaining decomposition.

38.2.2 Scope

New products offered for transport should be subjected to the classification procedure if the composition is covered by the definition for UN 2071. The classification procedure should be undertaken before a new product is offered for transport.

38.2.3 Classification procedure

38.2.3.1 The test method should be performed to determine if a decomposition initiated in a localised area will spread throughout the mass. The recommended test method is given in 38.2.4. Whether the substance is an ammonium nitrate fertilizer of [transport](#) Class 9, or not, is decided on the basis of the test result.

38.2.3.2 Packing group III is assigned to all [transport](#) Class 9 ammonium nitrate ~~fertilisers~~[fertilizers](#).

38.2.3.3 [Ammonium nitrate fertilizers with the composition given for UN 2071 may be regarded as not subject to the Model Regulations if shown not to be liable to self-sustaining decomposition and provided that they do not contain an excess of nitrate greater than 10% by mass \(calculated as potassium nitrate\).](#)

Comment [Ed11]: Does anybody know what this means ?

38.2.4 *Test S.1: Trough test for determination of the self-sustaining exothermic decomposition of fertilizers containing nitrates*

38.2.4.1 *Introduction*

A fertilizer capable of self-sustaining decomposition is defined as one in which decomposition initiated in a localized area will spread throughout the mass. The tendency of a fertilizer, to be offered for transport, to undergo this type of decomposition can be determined by means of the Trough test. In this test localized decomposition is initiated in a bed of the fertilizer contained in a horizontally mounted trough. The amount of propagation, after removal of the initiating heat source, of decomposition through the mass is measured.

38.2.4.2 *Apparatus and materials*

38.2.4.2.1 The apparatus (Figure 38.2.4.1) consists of a trough of internal dimensions 150 × 150 × 500 mm, open at the top. The trough is constructed of square meshed gauze (preferably stainless steel) with a mesh width of about 1.5 mm and wire thickness of 1 mm, supported on a frame made from, for example, 15 mm wide, 2 mm thick steel bars. The gauze at each end of the trough may be replaced by 1.5 mm thick, 150 × 150 mm stainless steel plates. The trough should be rested on a suitable support. Fertilizers with a particle size distribution such that a significant amount falls through the mesh of the trough should be tested in a trough of smaller mesh gauze, or alternatively in a trough lined with gauze of a smaller mesh. During initiation, sufficient heat should be provided and maintained to establish a uniform decomposition front.

38.2.4.2.2 Two alternative heating methods are recommended. They are:

Electrical heating. An electrical heating element (capacity 250 watts) enclosed in a stainless steel box, placed inside and at one end of the trough (Figure 38.2.4.2). The dimensions of the stainless steel box are 145 × 145 × 10 mm, and the wall thickness about 3 mm. The side of the box which is not in contact with the fertilizer should be protected with a heat shield (insulation plate 5 mm thick). The heating side of the box may be protected with aluminium foil or a stainless steel plate.

Gas burners. A steel plate (thickness 1-3 mm) is placed inside one end of the trough and in contact with the wire gauze (Figure 38.2.4.1). The plate is heated by means of two burners which are fixed to the trough support and are capable of maintaining the plate at temperatures between 400-600 °C, i.e. dull red heat.

38.2.4.2.3 To prevent heat transport along the outside of the trough a heat shield consisting of a steel plate (2 mm thick) should be installed at about 5 cm from the end of the trough where the heating takes place.

38.2.4.2.4 The life of the apparatus may be prolonged if it is constructed of stainless steel throughout. This is particularly important in the case of the gauze trough.

38.2.4.2.5 Propagation may be measured using thermocouples in the substance and recording the time at which a sudden temperature rise occurs as the reaction front reaches the thermocouple.

38.2.4.3 *Procedure*

38.2.4.3.1 The apparatus should be set up under a fume hood to remove toxic decomposition gases or in an open area where the fumes can be readily dispersed. Although there is no explosion risk when performing the test, it is advisable to have a protective shield, e.g. of suitable transparent plastic, between the observer and the apparatus.

38.2.4.3.2 The trough is filled with the fertilizer in the form to be offered for transport and decomposition is initiated at one end, either electrically or by means of gas burners as described above. Heating should be continued until decomposition of the fertilizer is well established and propagation of the front (over approximately 3-5 cm) is observed. In the case of products of high thermal stability, it may be necessary to continue heating for two hours. If fertilizers show a tendency to melt, the heating should be done with care, i.e. using a small flame.

38.2.4.3.3 About 20 minutes after the heating has been discontinued, the position of the decomposition front is noted. The position of the reaction front can be determined by differences in colour, e.g. brown (undecomposed fertilizer) to white (decomposed fertilizer) or by the temperature indicated by adjacent pairs of thermocouples which bracket the reaction front. The rate of propagation may be determined by observation and timing or from thermocouple

records. It should be noted whether there is no propagation after heating is discontinued or whether propagation occurs throughout the substance.

38.2.4.4 *Test criteria and method of assessing results*

38.2.4.4.1 If propagation of the decomposition continues throughout the substance, the fertilizer is considered capable of showing self-sustaining decomposition.

38.2.4.4.2 If propagation does not continue throughout the substance, the fertilizer is considered to be free from the hazard of self-sustaining decomposition.

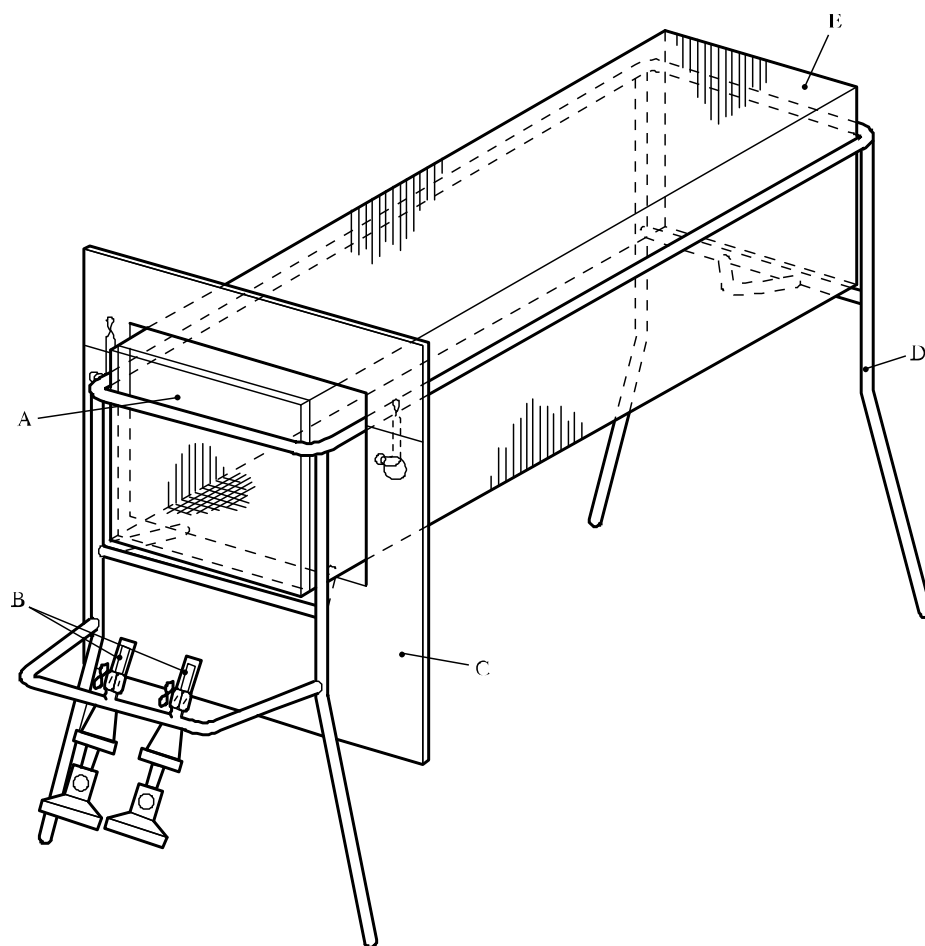
38.2.4.4.3 Examples of results

NOTE: *The NPK proportions for a fertilizer should not be used as a guide to its ability to undergo self-sustaining decomposition as this depends on the chemical species present.*

Substance	Distance propagated (cm)	Result
Compound fertilizer NPK 17-11-22 ^a	50	+
Compound fertilizer NPK 15-11-8 ^a	10	-
Compound fertilizer NPK 14-14-14 ^a	10	-
Compound fertilizer NPK 21-14-14 ^a	10	-
Compound fertilizer NPK 12-12-18 ^b	50	+

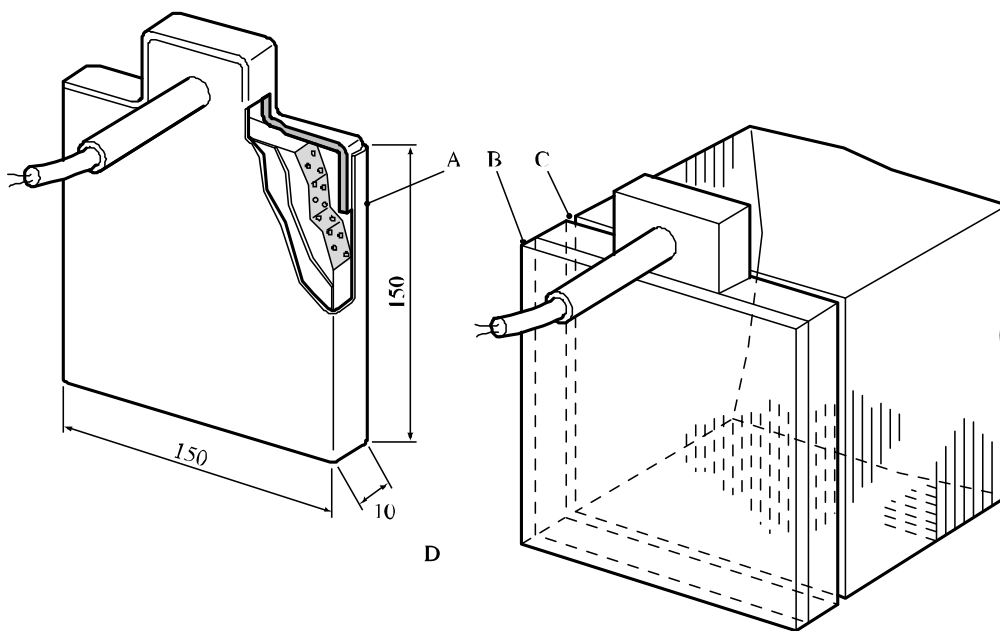
^a *Containing chloride.*

^b *Containing traces of cobalt and copper but less than 1% chloride.*



-
- (A) Steel plate (150 × 150 mm and 1 to 3 mm thick)
 - (B) Gas burners (e.g. Teclu or Bunsen)
 - (C) Heat shield (2 mm thick)
 - (D) Stand (e.g. made from 15 mm wide, 2 mm thick steel bar)
 - (E) Gauze trough (150 × 150 × 500 mm)
-

Figure 38.2.4.1: GAUZE TROUGH WITH SUPPORT BURNERS



- (A) Aluminium or stainless steel plate (wall thickness 3 mm)
- (B) Insulating plate (wall thickness 5 mm)
- (C) Aluminium or stainless steel plate (wall thickness 3 mm)
- (D) Position of heating device in trough

Figure 38.2.4.2: ELECTRICAL HEATING DEVICE (CAPACITY 250 WATTS)

38.3 Lithium metal and lithium ion batteries

38.3.1 Purpose

This section presents the procedures to be followed for the classification of lithium metal and lithium ion cells and batteries (see UN Nos. 3090, 3091, 3480 and 3481, and the applicable special provisions of Chapter 3.3 of the Model Regulations).

38.3.2 Scope

38.3.2.1 All cell types shall be subjected to tests T.1 to T.6 and T.8. All non-rechargeable battery types, including those composed of previously tested cells, shall be subjected to tests T.1 to T.5. All rechargeable battery types, including those composed of previously tested cells, shall be subjected to tests T.1 to T.5 and T.7. In addition, rechargeable single cell batteries with overcharge protection shall be subjected to test T.7. A component cell that is not transported separately from the battery it is part of needs only to be tested according to tests T.6 and T.8. A component cell that is transported separately from the battery shall be subjected to tests T.1 to T.6 and T.8.

38.3.2.2 Lithium metal and lithium ion cells and batteries shall be subjected to the tests, as required by special provisions 188 and 230 of Chapter 3.3 of the Model Regulations prior to the transport of a particular cell or battery type. Cells or batteries which differ from a tested type by:

- (a) For primary cells and batteries, a change of more than 0.1 g or 20% by mass, whichever is greater, to the cathode, to the anode, or to the electrolyte;
- (b) For rechargeable cells and batteries, a change in nominal energy in Watt-hours of more than 20% or an increase in nominal voltage of more than 20%; or
- (c) A change that would lead to failure of any of the tests,

shall be considered a new type and shall be subjected to the required tests.

NOTE: *The type of change that might be considered to differ from a tested type, such that it might lead to failure of any of the test results, may include, but is not limited to:*

- (a) *A change in the material of the anode, the cathode, the separator or the electrolyte;*
- (b) *A change of protective devices, including hardware and software;*
- (c) *A change of safety design in cells or batteries, such as a venting valve;*
- (d) *A change in the number of component cells;*
- (e) *A change in connecting mode of component cells; and*
- (f) *For batteries which are to be tested according to T.4 with a peak acceleration less than 150 g_n, a change in the mass which could adversely impact the result of the T.4 test and lead to a failure.*

In the event that a cell or battery type does not meet one or more of the test requirements, steps shall be taken to correct the deficiency or deficiencies that caused the failure before such cell or battery type is retested.

38.3.2.3 For the purposes of classification, the following definitions apply:

Aggregate lithium content means the sum of the grams of lithium content contained by the cells comprising a battery.

Battery means two or more cells or batteries which are electrically connected together and fitted with devices necessary for use, for example, case, terminals, marking or protective devices. Units which have two or more cells that are commonly referred to as "battery packs", "modules" or "battery assemblies" having the primary function of providing a source of power to another piece of equipment are for the purposes of the Model Regulations and this Manual treated as batteries. See definitions for "cell" and "single cell battery".

Button cell or battery means a round small cell or battery when the overall height is less than the diameter.

Cell means a single enclosed electrochemical unit (one positive and one negative electrode) which exhibits a voltage differential across its two terminals, and may contain protective devices. See definitions for battery and single cell battery.

Component cell means a cell contained in a battery. A component cell is not to be considered a single cell battery.

Cycle means one sequence of fully charging and fully discharging a rechargeable cell or battery.

Disassembly means a vent or rupture where solid matter from any part of a cell or battery penetrates a wire mesh screen (annealed aluminium wire with a diameter of 0.25 mm and grid density of 6 to 7 wires per cm) placed 25 cm away from the cell or battery.

Effluent means a liquid or gas released when a cell or battery vents or leaks.

Fire means that flames are emitted from the test cell or battery.

First cycle means the initial cycle following completion of all manufacturing processes.

Fully charged means a rechargeable cell or battery which has been electrically charged to its design rated capacity.

Fully discharged means either:

a primary cell or battery which has been electrically discharged to remove 100% of its rated capacity;
or

a rechargeable cell or battery which has been electrically discharged to its endpoint voltage as specified by the manufacturer.

Large battery means a lithium metal battery or lithium ion battery with a gross mass of more than 12 kg.

Large cell means a cell with a gross mass of more than 12 kg.

Leakage means the visible escape of electrolyte or other material from a cell or battery or the loss of material (except battery casing, handling devices or labels) from a cell or battery such that the loss of mass exceeds the values in Table 38.3.1.

Lithium content is applied to lithium metal and lithium alloy cells and batteries, and for a cell means the mass of lithium in the anode of a lithium metal or lithium alloy cell, which for a primary cell is measured when the cell is in an undischarged state and for a rechargeable cell is measured when the cell is fully charged. The lithium content of a battery equals the sum of the grams of lithium content contained in the component cells of the battery.

Lithium ion cell or battery means a rechargeable electrochemical cell or battery in which the positive and negative electrodes are both intercalation compounds (intercalated lithium exists in an ionic or quasi-atomic form with the lattice of the electrode material) constructed with no metallic lithium in either electrode. A lithium polymer cell or battery that uses lithium ion chemistries, as described herein, is regulated as a lithium ion cell or battery.

Mass loss means a loss of mass that exceeds the values in Table 38.3.2.2 below.

Table 38.3.1: Mass loss limit

Mass <i>M</i> of cell or battery	Mass loss limit
$M < 1 \text{ g}$	0.5%
$1 \text{ g} \leq M \leq 75 \text{ g}$	0.2%
$M > 75 \text{ g}$	0.1%

NOTE: In order to quantify the mass loss, the following procedure is provided:

$$\text{Mass loss (\%)} = \frac{(M_1 - M_2)}{M_1} \times 100$$

where M_1 is the mass before the test and M_2 is the mass after the test. When mass loss does not exceed the values in Table 38.3.1, it shall be considered as "no mass loss".

Nominal energy or Watt-hour rating, expressed in watt-hours, means the energy value of a cell or battery determined under specified conditions and declared by the manufacturer. The nominal energy is calculated by multiplying nominal voltage by rated capacity expressed in ampere-hours.

Nominal voltage means the approximate value of the voltage used to designate or identify a cell or battery.

Open circuit voltage means the voltage across the terminals of a cell or battery when no external current is flowing.

Primary cell or battery means a cell or battery which is not designed to be electrically charged or recharged.

Prismatic cell or battery means a cell or battery whose ends are similar, equal and parallel rectilinear figures, and whose sides are parallelograms.

Protective devices means devices such as fuses, diodes and current limiters which interrupt the current flow, block the current flow in one direction or limit the current flow in an electrical circuit.

Rated capacity means the capacity, in ampere-hours or milliampere-hours, of a cell or battery as measured by subjecting it to a load, temperature and voltage cut-off point specified by the manufacturer.

NOTE: The following IEC standards provide guidance and methodology for determining the rated capacity:

(1) IEC 61960 (First Edition 2003-12) : Secondary cells and batteries containing alkaline or other non-acid electrolytes – Secondary lithium cells and batteries for portable applications;

(2) IEC 62133 (First Edition 2002-10): Secondary cells and batteries containing alkaline or other non-acid electrolytes – Safety requirements for portable sealed secondary cells, and for batteries made from them, for use in portable applications;

(3) IEC 62660-1 (First Edition 2011-01): Secondary lithium-ion cells for the propulsion of electric road vehicles – Part 1: Performance testing.

Rechargeable cell or battery means a cell or battery which is designed to be electrically recharged.

Rupture means the mechanical failure of a cell container or battery case induced by an internal or external cause, resulting in exposure or spillage but not ejection of solid materials.

Short circuit means a direct connection between positive and negative terminals of a cell or battery that provides a virtual zero resistance path for current flow.

Single cell battery means a cell [externally] fitted with devices necessary for use in equipment or another battery which it is designed to power, for example protective devices. See definitions for cell and battery.

NOTE: *A single cell battery is considered a “cell” and shall be tested according to the testing requirements for “cells” for the purposes of the Model Regulations and this Manual.*

Small battery means a lithium metal battery or lithium ion battery with a gross mass of not more than 12 kg.

Small cell means a cell with a gross mass of not more than 500 g.

Type means a particular electrochemical system and physical design of cells or batteries.

Undischarged means a primary cell or battery that has not been wholly or partly discharged.

Venting means the release of excessive internal pressure from a cell or battery in a manner intended by design to preclude rupture or disassembly.

Watt-hour rating, see *Nominal energy*.

38.3.3 When a cell or battery type is to be tested under this sub-section, the number and condition of cells and batteries of each type to be tested are as follows:

- (a) When testing primary cells and batteries under tests T.1 to T.5 the following shall be tested in the quantity indicated:
 - (i) ten cells in undischarged states;
 - (ii) ten cells in fully discharged states;
 - (iii) four small batteries in undischarged states;
 - (iv) four small batteries in fully discharged states;
 - (v) four large batteries in undischarged states; and
 - (vi) four large batteries in fully discharged states.

- (b) When testing rechargeable cells and batteries under tests T.1 to T.5 the following shall be tested in the quantity indicated:
 - (i) ten cells at first cycle, in fully charged states;
 - (ii) four small batteries at first cycle, in fully charged states;
 - (iii) four small batteries after 50 cycles ending in fully charged states;
 - (iv) two large batteries at first cycle, in fully charged states; and
 - (v) two large batteries after 25 cycles ending in fully charged states.

- (c) When testing primary and rechargeable cells under test T.6, the following shall be tested in the quantity indicated:
 - (i) for primary cells, five cells in undischarged states and five cells in fully discharged states;
 - (ii) for component cells of primary batteries, five cells in undischarged states and five cells in fully discharged states;
 - (iii) for rechargeable cells, five cells at first cycle at 50% of the design rated capacity; and
 - (iv) for component cells of rechargeable batteries, five cells at first cycle at 50% of the design rated capacity.
- (d) When testing rechargeable batteries or rechargeable single cell batteries under test T.7, the following shall be tested in the quantity indicated:
 - (i) four small batteries at first cycle, in fully charged states;
 - (ii) four small batteries after 50 cycles ending in fully charged states;
 - (iii) two large batteries at first cycle, in fully charged states; and
 - (iv) two large batteries after 25 cycles ending in fully charged states.

Batteries or single cell batteries not equipped with battery overcharge protection that are designed for use only as a component in another battery or in equipment, which affords such protection, are not subject to the requirements of this test.

- (e) When testing primary and rechargeable cells and components under test T.8, the following shall be tested in the quantity indicated:
 - (i) ten primary cells in fully discharged states;
 - (ii) ten primary component cells in fully discharged states;
 - (iii) ten rechargeable cells, at first cycle in fully discharged states;
 - (iv) ten rechargeable component cells, at first cycle in fully discharged states;
 - (v) ten rechargeable cells after 50 cycles ending in fully discharged states; and
 - (vi) ten rechargeable component cells after 50 cycles ending in fully discharged states.
- (f) When testing a battery assembly in which the aggregate lithium content of all anodes, when fully charged, is not more than 500 g, or in the case of a lithium ion battery, with a Watt-hour rating of not more than 6 200 Wh, that is assembled from batteries that have passed all applicable tests, one assembled battery in a fully charged state shall be tested under tests T.3, T.4 and T.5, and, in addition, test T.7 in the case of a rechargeable battery.

- (g) When batteries that have passed all applicable tests are electrically connected to form a battery in which the aggregate lithium content of all anodes, when fully charged, is more than 500 g, or in the case of a lithium ion battery, with a Watt-hour rating of more than 6 200 Wh, the assembled battery does not need to be tested if the assembled battery is of a type that has been verified as preventing:
- (i) Overcharge;
 - (ii) Short circuits; and
 - (iii) Over discharge between the batteries.

38.3.4 Procedure

Tests T.1 to T.5 shall be conducted in sequence on the same cell or battery. Tests T.6 and T.8 shall be conducted using not otherwise tested cells or batteries. Test T.7 may be conducted using undamaged batteries previously used in Tests T.1 to T.5 for purposes of testing on cycled batteries.

38.3.4.1 Test T.1: Altitude simulation

38.3.4.1.1 Purpose

This test simulates air transport under low-pressure conditions.

38.3.4.1.2 Test procedure

Test cells and batteries shall be stored at a pressure of 11.6 kPa or less for at least six hours at ambient temperature (20 ± 5 °C).

38.3.4.1.3 Requirement

Cells and batteries meet this requirement if there is no leakage, no venting, no disassembly, no rupture and no fire and if the open circuit voltage of each test cell or battery after testing is not less than 90% of its voltage immediately prior to this procedure. The requirement relating to voltage is not applicable to test cells and batteries at fully discharged states.

38.3.4.2 Test T.2: Thermal test

38.3.4.2.1 Purpose

This test assesses cell and battery seal integrity and internal electrical connections. The test is conducted using rapid and extreme temperature changes.

38.3.4.2.2 Test procedure

Test cells and batteries are to be stored for at least six hours at a test temperature equal to 75 ± 2 °C, followed by storage for at least six hours at a test temperature equal to -40 ± 2 °C. The maximum time interval between test temperature extremes is 30 minutes. This procedure is to be repeated until 10 total cycles are complete, after which all test cells and batteries are to be stored for 24 hours at ambient temperature (20 ± 5 °C). For large cells and batteries the duration of exposure to the test temperature extremes should be at least 12 hours.

38.3.4.2.3 Requirement

Cells and batteries meet this requirement if there is no leakage, no venting, no disassembly, no rupture and no fire and if the open circuit voltage of each test cell or battery after testing is not less than 90% of its voltage immediately prior to this procedure. The requirement relating to voltage is not applicable to test cells and batteries at fully discharged states.

38.3.4.3 *Test T.3: Vibration*

38.3.4.3.1 Purpose

This test simulates vibration during transport.

38.3.4.3.2 Test procedure

Cells and batteries are firmly secured to the platform of the vibration machine without distorting the cells in such a manner as to faithfully transmit the vibration. The vibration shall be a sinusoidal waveform with a logarithmic sweep between 7 Hz and 200 Hz and back to 7 Hz traversed in 15 minutes. This cycle shall be repeated 12 times for a total of 3 hours for each of three mutually perpendicular mounting positions of the cell. One of the directions of vibration must be perpendicular to the terminal face.

The logarithmic frequency sweep shall differ for cells and batteries with a gross mass of not more than 12 kg (cells and small batteries), and for batteries with a gross mass of more than 12 kg (large batteries).

For cells and small batteries: from 7 Hz a peak acceleration of 1 g_n is maintained until 18 Hz is reached. The amplitude is then maintained at 0.8 mm (1.6 mm total excursion) and the frequency increased until a peak acceleration of 8 g_n occurs (approximately 50 Hz). A peak acceleration of 8 g_n is then maintained until the frequency is increased to 200 Hz.

For large batteries: from 7 Hz to a peak acceleration of 1 g_n is maintained until 18 Hz is reached. The amplitude is then maintained at 0.8 mm (1.6 mm total excursion) and the frequency increased until a peak acceleration of 2 g_n occurs (approximately 25 Hz). A peak acceleration of 2 g_n is then maintained until the frequency is increased to 200 Hz.

38.3.4.3.3 Requirement

Cells and batteries meet this requirement if there is no leakage, no venting, no disassembly, no rupture and no fire during the test and after the test and if the open circuit voltage of each test cell or battery after testing in its perpendicular mounting position is not less than 90% of its voltage immediately prior to this procedure. The requirement relating to voltage is not applicable to test cells and batteries at fully discharged states.

38.3.4.4 *Test T.4: Shock*

38.3.4.4.1 Purpose

This test assesses the robustness of cells and batteries against cumulative shocks.

38.3.4.4.2 Test procedure

Test cells and batteries shall be secured to the testing machine by means of a rigid mount which will support all mounting surfaces of each test battery.

Each cell shall be subjected to a half-sine shock of peak acceleration of 150 g_n and pulse duration of 6 milliseconds. Alternatively, large cells may be subjected to a half-sine shock of peak acceleration of 50 g_n and pulse duration of 11 milliseconds.

Each battery shall be subjected to a half-sine shock of peak acceleration depending on the mass of the battery. The pulse duration shall be 6 milliseconds for small batteries and 11 milliseconds for large batteries. The formulas below are provided to calculate the appropriate minimum peak accelerations.

Battery	Minimum peak acceleration	Pulse duration
Small batteries	150 g _n or result of formula $Acceleration(g_n) = \sqrt{\left(\frac{100850}{mass^*}\right)}$ whichever is smaller	6 ms
Large batteries	50 g _n or result of formula $Acceleration(g_n) = \sqrt{\left(\frac{30000}{mass^*}\right)}$ whichever is smaller	11 ms

* Mass is expressed in kilograms.

NOTE: IEC Standard 60068-2-27 (Fourth Edition 2008-02): Environmental testing-Part 2-27: Tests – Test Ea and guidance: Shock provides guidance on tolerance for acceleration and pulse duration.

The relationship between minimum peak acceleration and mass is illustrated in Figure 38.3.4.1 for small batteries and Figure 38.3.4.2 for large batteries.

Relation for Peak Acceleration Vs. Mass for Small Batteries

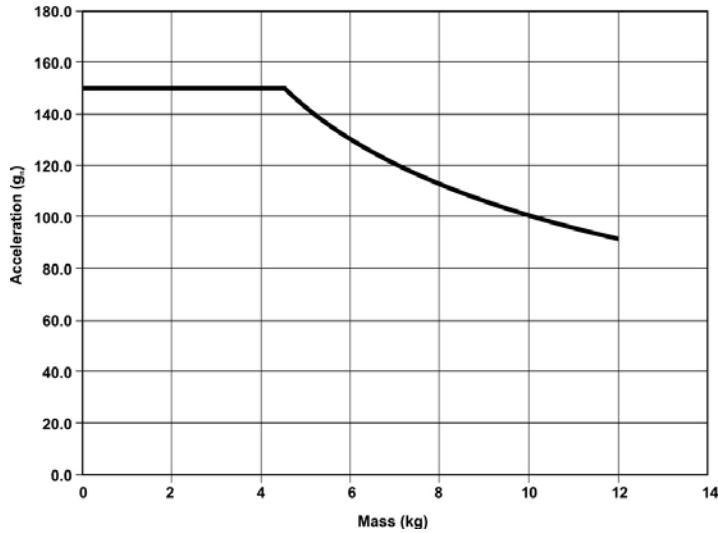


Figure 38.3.4.1: Relation between the Peak Acceleration and the Mass for small batteries (below 12.0 kg).

Relation for Peak Acceleration Vs. Mass for Large Batteries

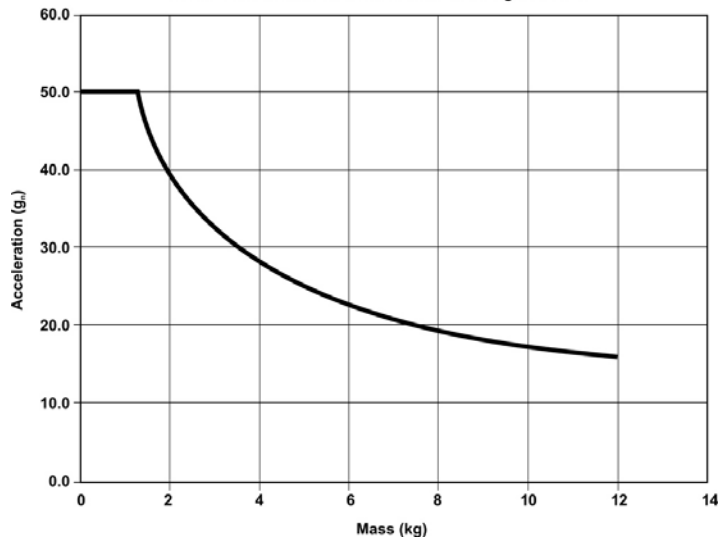


Figure 38.3.4.2: Relation between the Peak Acceleration and the Mass for large batteries (equal or above 12.0 kg).

Each cell or battery shall be subjected to three shocks in the positive direction and to three shocks in the negative direction in each of three mutually perpendicular mounting positions of the cell or battery for a total of 18 shocks.

38.3.4.4.3 Requirement

Cells and batteries meet this requirement if there is no leakage, no venting, no disassembly, no rupture and no fire and if the open circuit voltage of each test cell or battery after testing is not less than 90% of its voltage immediately prior to this procedure. The requirement relating to voltage is not applicable to test cells and batteries at fully discharged states.

38.3.4.5 *Test T.5: External short circuit*

38.3.4.5.1 Purpose

This test simulates an external short circuit.

38.3.4.5.2 Test procedure

The cell or battery to be tested shall be heated for a period of time necessary to reach a homogeneous stabilized temperature of 57 ± 4 °C, measured on the external case. This period of time depends on the size and design of the cell or battery and should be assessed and documented. If this assessment is not feasible, the exposure time shall be at least 6 hours for small cells and small batteries, and 12 hours for large cells and large batteries. Then the cell or battery at 57 ± 4 °C shall be subjected to one short circuit condition with a total external resistance of less than 0.1 ohm.

This short circuit condition is continued for at least one hour after the cell or battery external case temperature has returned to 57 ± 4 °C, or in the case of the large batteries, has decreased by half of the maximum temperature increase observed during the test and remains below that value.

The short circuit and cooling down phases shall be conducted at least at ambient temperature.

38.3.4.5.3 Requirement

Cells and batteries meet this requirement if their external temperature does not exceed 170 °C and there is no disassembly, no rupture and no fire during the test and within six hours after the test.

38.3.4.6 *Test T.6: Impact/Crush*

38.3.4.6.1 Purpose

These tests simulate mechanical abuse from an impact or crush that may result in an internal short circuit.

38.3.4.6.2 Test procedure – Impact (applicable to cylindrical cells not less than 18.0 mm in diameter)

NOTE: *Diameter here refers to the design parameter (for example the diameter of 18 650 cells is 18.0 mm).*

The test sample cell or component cell is to be placed on a flat smooth surface. A 15.8 mm \pm 0.1 mm diameter, at least 6 cm long, or the longest dimension of the cell, whichever is greater, Type 316 stainless steel bar is to be placed across the centre of the sample. A 9.1 kg \pm 0.1kg mass is to be dropped from a height of 61 \pm 2.5 cm at the intersection of the bar and sample in a controlled manner using a near frictionless, vertical sliding track or channel with minimal drag on the falling mass. The vertical track or channel used to guide the falling mass shall be oriented 90 degrees from the horizontal supporting surface.

The test sample is to be impacted with its longitudinal axis parallel to the flat surface and perpendicular to the longitudinal axis of the 15.8 mm \pm 0.1 mm diameter curved surface lying across the centre of the test sample. Each sample is to be subjected to only a single impact.

38.3.4.6.3 Test Procedure – Crush (applicable to prismatic, pouch, coin/button cells and cylindrical cells less than 18.0 mm in diameter)

NOTE: *Diameter here refers to the design parameter (for example the diameter of 18 650 cells is 18.0 mm).*

A cell or component cell is to be crushed between two flat surfaces. The crushing is to be gradual with a speed of approximately 1.5 cm/s at the first point of contact. The crushing is to be continued until the first of the three options below is reached.

- (a) The applied force reaches $13 \text{ kN} \pm 0.78 \text{ kN}$;

Example: The force shall be applied by a hydraulic ram with a 32 mm diameter piston until a pressure of 17 MPa is reached on the hydraulic ram.

- (b) The voltage of the cell drops by at least 100 mV; or
(c) The cell is deformed by 50% or more of its original thickness.

Once the maximum pressure has been obtained, the voltage drops by 100 mV or more, or the cell is deformed by at least 50% of its original thickness, the pressure shall be released.

A prismatic or pouch cell shall be crushed by applying the force to the widest side. A button/coin cell shall be crushed by applying the force on its flat surfaces. For cylindrical cells, the crush force shall be applied perpendicular to the longitudinal axis.

Each test cell or component cell is to be subjected to one crush only. The test sample shall be observed for a further 6 h. The test shall be conducted using test cells or component cells that have not previously been subjected to other tests.

38.3.4.6.4 Requirement

Cells and component cells meet this requirement if their external temperature does not exceed $170 \text{ }^\circ\text{C}$ and there is no disassembly and no fire during the test and within six hours after this test.

38.3.4.7 *Test T.7: Overcharge*

38.3.4.7.1 Purpose

This test evaluates the ability of a rechargeable battery or a single cell rechargeable battery to withstand an overcharge condition.

38.3.4.7.2 Test procedure

The charge current shall be twice the manufacturer's recommended maximum continuous charge current. The minimum voltage of the test shall be as follows:

- (a) when the manufacturer's recommended charge voltage is not more than 18 V, the minimum voltage of the test shall be the lesser of two times the maximum charge voltage of the battery or 22 V.
(b) when the manufacturer's recommended charge voltage is more than 18 V, the minimum voltage of the test shall be 1.2 times the maximum charge voltage.

Tests are to be conducted at ambient temperature. The duration of the test shall be 24 hours.

38.3.4.7.3 Requirement

Rechargeable batteries meet this requirement if there is no disassembly and no fire during the test and within seven days after the test.

38.3.4.8 *Test T.8: Forced discharge*

38.3.4.8.1 Purpose

This test evaluates the ability of a primary or a rechargeable cell to withstand a forced discharge condition.

38.3.4.8.2 Test procedure

Each cell shall be forced discharged at ambient temperature by connecting it in series with a 12V D.C. power supply at an initial current equal to the maximum discharge current specified by the manufacturer.

The specified discharge current is to be obtained by connecting a resistive load of the appropriate size and rating in series with the test cell. Each cell shall be forced discharged for a time interval (in hours) equal to its rated capacity divided by the initial test current (in ampere).

38.3.4.8.3 Requirement

Primary or rechargeable cells meet this requirement if there is no disassembly and no fire during the test and within seven days after the test.

38.4 Substances evolving flammable vapour

38.4.1 Purpose

This section of the Manual presents the test procedure to determine whether during handling, transport and storage substances of Class 9 evolving flammable vapours (see UN No. 2211), are able to evolve a dangerous concentration of flammable vapours in closed containers resulting in the formation of a flammable atmosphere and, as a consequence, have to be classified or not.

38.4.2 Scope

The scope of the test method is to determine whether polymeric beads with encapsulated blowing agent, fulfilling the description of UN No. 2211, need not to be classified under these UN numbers.

38.4.3 Classification procedure for substances liable to evolve flammable vapours

Polymeric beads with encapsulated blowing agent shall be tested according to the procedures below to determine whether classification under UN No. 2211 is needed.

38.4.4 Test U 1: Test method for substances liable to evolve flammable vapours

38.4.4.1 Introduction

The ability to evolve flammable vapours is determined by placing the substance in a hermetically closed glass bottle, at a specified temperature for a prescribed period of time, and then, determine the identity and concentration of flammable vapours.

38.4.4.2 Apparatus and materials

A serum flask equipped with polytetrafluoroethylene septa with a volume of 50 ml to allow for enough samples to be analysed. A heating cabinet for storage of samples at prescribed time and temperature. A gas chromatographic (GC) apparatus and accompanying equipment, for analysis of flammable vapour concentration in the gas-phase.

38.4.4.3 Procedure

The substance as offered for transport should be put in a serum flask of 50 ml, with a degree of filling of 50% volume ratio and sealed with polytetrafluoroethylene septa. The sealed flask is put into a heating cabinet at a minimum of 50 °C for 14 days. Under these conditions analyse the gas twice by gas chromatography and calculate the average concentration of the flammable vapour. The test shall be performed on three samples of the same substance.

38.4.4.4 *Test criteria and method of assessing results*

Substances need not be classified as Polymeric beads, expandable if the concentration of the flammable vapours is less than or equal to 20% of the Lower Explosive Limit (LEL) of the flammable vapour in all of

the three samples.

PART IV

TEST METHODS CONCERNING TRANSPORT EQUIPMENT

CONTENTS OF PART IV

<u>section</u> <u>chapter</u>		Page
40.	INTRODUCTION TO PART IV	
40.1	PURPOSE	
40.2	SCOPE	
41.	DYNAMIC LONGITUDINAL IMPACT TEST FOR PORTABLE TANKS AND MULTIPLE-ELEMENT GAS CONTAINERS (MEGCs)	
41.1	GENERAL	
41.2	PERMITTED DESIGN VARIATIONS	
41.3	TEST APPARATUS	

~~SECTION~~ CHAPTER 40

INTRODUCTION TO PART IV

40.1 Purpose

40.1.1 Part IV of the Manual presents the United Nations schemes for dynamic and longitudinal impact testing of portable tanks and MEGCs (see section 41 of this Manual and 6.7.2.19.1, 6.7.3.15.1, 6.7.4.14.1 and 6.7.5.12.1 of the Model Regulations).

40.2 Scope

40.2.1 The test methods of this Part should be applied when required by the Model Regulations.

~~SECTION~~ CHAPTER 41

**DYNAMIC LONGITUDINAL IMPACT TEST FOR PORTABLE TANKS AND
MULTIPLE-ELEMENT GAS CONTAINERS (MEGCs)**

41.1 General

41.1.1 This test method is intended to prove the ability of portable tanks and MEGCs to withstand the effects of a longitudinal impact, as required by 6.7.2.19.1, 6.7.3.15.1, 6.7.4.14.1 and 6.7.5.12.1 of the Model Regulations.

41.1.2 A representative prototype of each design of portable tank and MEGC meeting the definition of "container" under the International Convention for Safe Containers, 1972, as amended (CSC), shall be subjected to and shall satisfy the requirements of the dynamic longitudinal impact test. Testing shall be conducted by facilities approved for this purpose by the competent authority.

41.2 Permitted design variations

The following variations in container design from an already tested prototype are permitted without additional testing:

41.2.1 Portable tanks

- (a) A reduction of no more than 10% or an increase of no more than 20% in capacity, resulting from variations in diameter and length;
- (b) A decrease in maximum permissible gross mass;
- (c) An increase in thickness, independent of design pressure and temperature;
- (d) A change to the grade of material of construction provided that the permitted yield strength meets or exceeds that of the tested portable tank;
- (e) A change in location of, or a modification to, nozzles and manholes.

41.2.2 MEGCs

- (a) A decrease in the maximum design temperature, not affecting thickness;
- (b) An increase in the minimum design temperature, not affecting thickness;
- (c) A decrease in the maximum permissible gross mass;
- (d) A decrease in the mass of each individual element and its lading or a decrease in the total mass of the elements and their lading;
- (e) An increase of no more than 10% or a decrease of no more than 40% in the diameter of the elements;
- (f) A change of no more than 10% in the length of the elements;
- (g) A decrease of no more than 3.1 metres (10 feet) in the length of the MEGC framework;
- (h) A decrease of no more than 50% in the height of the MEGC;
- (i) A change of no more than 50% in the number of elements;
- (j) An increase in the thickness of the materials of the framework provided the thickness stays within the range permitted by the welding procedure specifications;
- (k) A change to the service equipment and manifold such that the total mass of the service equipment and manifold changes no more than 10% of the maximum permissible gross mass (but not resulting in an increase in the maximum permissible gross mass as compared to that of the already-tested prototype);

- (l) The use of a different grade of the same type of material for the construction of the framework, provided that:
 - (i) The results of the design calculations for the different grade, using the most unfavourable specified values of mechanical properties for that grade, meet or exceed the results of the design calculation for the existing grade; and
 - (ii) The alternate grade is permitted by the welding procedure specifications.

NOTE: For permitted MEGC design variations not requiring additional impact testing, the mounting apparatus attaching the elements to the framework must remain the same as that for the already-tested prototype MEGC design.

41.3 Test apparatus

41.3.1 Test platform

The test platform may be any suitable structure capable of sustaining without significant damage a shock of the prescribed severity with the container-under-test mounted securely in place. The test platform shall be:

- (a) configured so as to allow the container-under-test to be mounted as close as possible to the impacting end;
- (b) equipped with four devices, in good condition, for securing the container-under-test in accordance with ISO 1161:1984 (Series 1 Freight containers – Corner fittings – Specification); and
- (c) equipped with a cushioning device to provide a suitable duration of impact.

41.3.2 Impact creation

41.3.2.1 The impact shall be created by:

- (a) the test platform striking a stationary mass; or
- (b) the test platform being struck by a moving mass.

41.3.2.2 When the stationary mass consists of two or more railway vehicles connected together, each railway vehicle shall be equipped with cushioning devices. Free play between the vehicles shall be eliminated and the brakes on each of the railway vehicles shall be set.

41.3.3 Measuring and recording system

41.3.3.1 Unless otherwise specified, the measuring and recording system shall comply with ISO 6487:2002 (Road vehicles – Measurement techniques in impact tests – Instrumentation).

41.3.3.2 The following equipment shall be available for the test:

- (a) Two accelerometers with a minimum amplitude range of 200 g, a maximum lower frequency limit of 1 Hz and a minimum upper frequency limit of 3 000 Hz. Each accelerometer shall be rigidly attached to the container-under-test at the outer end or side face of the two adjacent bottom corner fittings closest to the impact source. The accelerometers shall be aligned so as to measure the acceleration in the longitudinal axis of the container. The preferred method is to attach each accelerometer to a flat mounting plate by means of bolting and to bond the mounting plates to the corner fittings;
- (b) A means of measuring the velocity of the moving test platform or the moving mass at the moment of impact;

- (c) An analogue-to-digital data acquisition system capable of recording the shock disturbance as an acceleration versus time history at a minimum sampling frequency of 1 000 Hz. The data acquisition system shall incorporate a low-pass anti-aliasing analogue filter with a corner frequency set to a minimum of 200 Hz and a maximum of 20% of the sampling rate, and a minimum roll off rate of 40 dB/octave; and
- (d) A means of storing the acceleration versus time histories in electronic format so that they can be subsequently retrieved and analysed.

41.3.4 Procedure

41.3.4.1 Filling the container-under-test may be undertaken before or after mounting on the test platform, as follows:

- (a) Portable tanks: The tank shall be filled with water or any other non-pressurized substance to approximately 97% of the tank volumetric capacity. The tank shall not be pressurized during the test. If for reasons of overload it is not desirable to fill to 97% of capacity, the tank shall be filled so that the mass of the container-under test (tare and product) is as close as practicable to its maximum rated mass (R);
- (b) MEGCs: Each element shall be filled with an equal quantity of water or any other non-pressurized substance. The MEGC shall be filled so that its mass is as close as practicable to its maximum rated mass (R) but in any event, to no more than 97% of its volumetric capacity. The MEGC shall not be pressurized during the test. Filling a MEGC is not required when its tare mass is equal to or higher than 90% of R.

41.3.4.2 The mass of the container, as tested, shall be measured and recorded.

41.3.4.3 The container-under-test shall be oriented in a manner that will result in the most severe test. The container shall be mounted on the test platform, as close as possible to the impacting end and secured using all four of its corner fittings so as to restrain its movement in all directions. Any clearance between the corner fittings of the container-under-test and the securing devices at the impacting end of the test platform shall be minimised. In particular, impacting masses shall be free to rebound after impact.

41.3.4.4 An impact shall be created (see 41.3.2) such that for a single impact the as tested Shock Response Spectrum (SRS, see 41.3.8.1) curve at both corner fittings at the impacting end equals or exceeds the minimum SRS curve shown in Figure 41.3.8.1 at all frequencies within the range from 3 Hz to 100 Hz. Repeated impacts may be required to achieve this result but the test results for each impact shall be considered individually;

41.3.4.5 Following an impact described in 41.3.4.4, the container-under-test shall be examined and the results recorded. To satisfy the test, the container shall show no leakage, permanent deformation or damage that would render it unsuitable for use, and shall be in conformity with the dimensional requirements regarding handling, securing and transfer from one means of transport to another.

41.3.5 Processing and analysis of data

41.3.5.1 *Data reduction system*

- (a) The acceleration versus time history data from each channel shall be reduced to the shock response spectrum, ensuring that the spectra are presented in the form of equivalent static acceleration plotted as a function of frequency. The maximum absolute value acceleration peak shall be recorded for each of the specified frequency break points. The data reduction shall follow the following criteria:
 - (i) If required, the corrected impact acceleration versus time history data shall be scaled using the procedure outlined in section 41.3.5.2;
 - (ii) The acceleration versus time history data shall comprise the period commencing 0.05 seconds prior to the start of the impact event and the 2.0 seconds thereafter;

- (iii) The analysis shall span the frequency range of 2 to 100 Hz and calculation of the shock response curve points shall be performed at a minimum of 30 frequency break points per octave. Each break point in the range shall constitute a natural frequency; and
- (iv) A damping ratio of 5% shall be used in the analysis;
- (b) Calculation of the test shock response curve points shall be made as described below. For each frequency break point:
 - (i) A matrix of relative displacement values shall be calculated using all data points from the shock input acceleration versus time history using the following equation:

$$\xi_i = -\frac{\Delta t}{\omega_d} \sum_{k=0}^i \ddot{X}_k e^{-\zeta \omega_n \Delta t (i-k)} \sin [\omega_d \Delta t (i-k)]$$

where:

Δt = time interval between acceleration values;

ω_n = undamped natural frequency (in radians);

ω_d = damped natural frequency = $\omega_n \sqrt{1 - \zeta^2}$;

\ddot{X}_k = k_{th} value of acceleration input data;

ζ = damping ratio;

i = integer number, varies from 1 to the number of input acceleration data points;

k = parameter used in summation which varies from 0 to the current value of i .

- (ii) A matrix of relative accelerations shall be calculated using the displacement values obtained in step i in the following equation:

$$\ddot{\xi}_i = 2\zeta \omega_n \Delta t \sum_{k=0}^i \ddot{X}_k e^{-\zeta \omega_n \Delta t (i-k)} \cos [\omega_d \Delta t (i-k)] + \omega_n^2 (2\zeta^2 - 1) \xi_i$$

- (iii) The maximum absolute acceleration value from the matrix generated in step ii for the frequency break point under consideration shall be retained. This value becomes the SRS curve point for this particular frequency break point. Step i shall be repeated for each natural frequency until all natural frequency break points have been evaluated.
- (iv) The test shock response spectrum curve shall be generated.

41.3.5.2 Method for scaling measured acceleration versus time history values to compensate for under or over mass containers

Where the sum of the as-tested payload mass plus tare mass of the container-under-test is not the maximum rated mass of the container-under-test, a scaling factor shall be applied to the measured acceleration versus time histories for the container-under-test as follows:

The corrected acceleration-time values, $Acc(t)_{(corrected)}$, shall be calculated from the measured acceleration versus time values using following formula:

$$Acc(t)_{(corrected)} = Acc(t)_{(measured)} \times \frac{1}{\sqrt{1 + \frac{\Delta M}{M_1 + M_2}}}$$

Where:

$Acc(t)_{(measured)}$ = actual measured-time value;

- M1 = mass of the test platform, without the container-under-test;
M2 = actual test mass (including tare) of the container-under-test;
R = the maximum rated mass (including tare) of the container-under-test;
 $\Delta M = R - M2$;

The test SRS values shall be generated from the $Acc(t)_{(corrected)}$ values.

41.3.6 *Defective instrumentation*

If the acquired signal from one accelerometer is faulty the test may be validated by the SRS from the functional accelerometer after three consecutive impacts provided that the SRS from each of the three impacts meets or exceeds the minimum SRS curve.

41.3.7 *Alternate test severity validation method for portable tanks with frame length of 20 feet*

41.3.7.1 If the design of a tank container-under-test is significantly different from other containers successfully subjected to this test and the SRS curves obtained have correct features but remain below the minimum SRS curve, the test severity may be considered acceptable if three successive impacts are performed as follows:

- (a) First impact at a speed higher than 90% of the critical speed referred to in 41.3.7.2; and
- (b) Second and third impact at a speed higher than 95% of the critical speed referred to in 41.3.7.2.

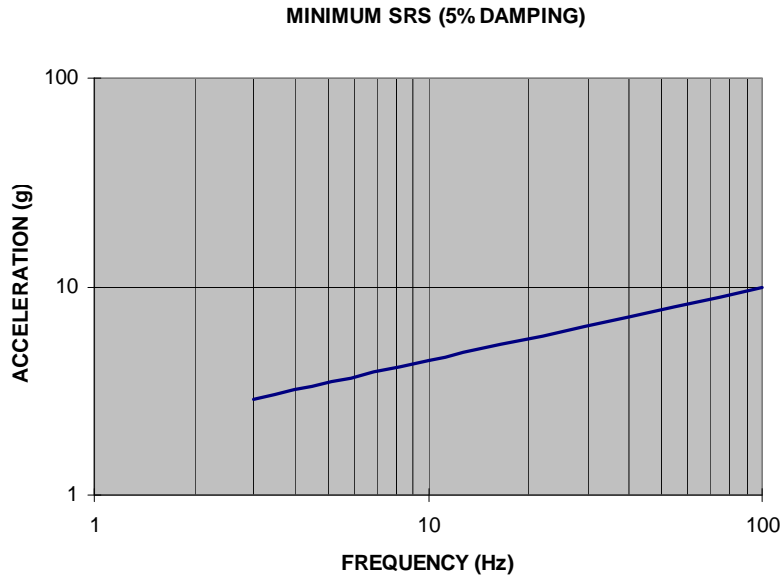
41.3.7.2 The alternate validation method described in 41.3.7.1, shall be used only if the platform's "critical speed" had been determined beforehand. The critical speed is the speed where the platform's cushioning devices reach their maximum travel and energy absorption capacity beyond which the minimum SRS curve is normally obtained or exceeded. The critical speed shall have been determined from a minimum of five documented tests on five different tank containers. Each such test shall have been performed using the same equipment, measuring system and procedure.

41.3.8 *Recording of data*

At least the following data shall be recorded in the application of this procedure:

- (a) Date, time, ambient temperature, and location of test;
- (b) Container tare mass, maximum rated mass, and as-tested payload mass;
- (c) Container manufacturer, type, registration number if applicable, certified design codes and approvals if applicable;
- (d) Test platform mass;
- (e) Impact velocity;
- (f) Direction of impact with respect to container; and
- (g) For each impact, an acceleration versus time history for each instrumented corner fitting.

Figure 41.3.8.1: Minimum SRS Curve



Equation for generating the above Minimum SRS Curve: $ACCEL = 1.95 \text{ } FREQ^{0.355}$

Table 41.3.8.1: Tabular representation of some data points for the minimum SRS curve above.

FREQUENCY (Hz)	ACCELERATION (g)
3	2.88
10	4.42
100	10.0

PART V

CLASSIFICATION PROCEDURES, TEST METHODS AND CRITERIA RELATING TO SECTORS OTHER THAN TRANSPORT

CONTENTS OF PART V

Section	Chapter	Page
50.	INTRODUCTION TO PART V	
50.1	PURPOSE	
50.2	SCOPE	
51.	CLASSIFICATION PROCEDURES, TEST METHODS AND CRITERIA RELATING TO THE HAZARD CLASS DESENSITIZED EXPLOSIVES	
51.1	PURPOSE	
51.2	SCOPE	
51.3	CLASSIFICATION PROCEDURE	
51.4	BURNING RATE TEST (EXTERNAL FIRE) (D).....	
51.4.1	Introduction	
51.4.2	Apparatus and materials.....	
51.4.3	Procedure	
51.4.4	Test criteria and method of assessing results	
51.4.5	Examples of results.....	
51.4.6	Example of calculation	

SECTION 50

INTRODUCTION TO PART V

50.1 Purpose

Part V of the Manual presents the United Nations schemes for the classification of desensitized explosives for supply and use (including storage) according to the GHS.

50.2 Scope

The test methods of this Part should be applied when required by the GHS.

~~SECTION~~ CHAPTER 51

CLASSIFICATION PROCEDURES, TEST METHODS AND CRITERIA RELATING TO THE HAZARD CLASS DESENSITIZED EXPLOSIVES

51.1 Purpose

51.1.1 This section presents the United Nations scheme of the classification of liquid and solid desensitized explosives see Chapter 2.17 of the Globally Harmonized System of Classification and Labelling of Chemicals (GHS). The text should be used in conjunction with the classification principles of Chapter 2.17 of the GHS and the test series given in sub-sections 16.4 and 16.5 of this Manual.

For testing of liquid desensitized explosives for transport purposes, refer to section 32, sub-section 32.3.2 of this Manual and to Chapter 2.3, sub-section 2.3.1.4 of the Model Regulations. Testing of solid desensitized explosives for transport purposes is addressed in section 33, sub-section ~~33.2.3~~33.4 of this Manual and in Chapter 2.4, sub-section 2.4.2.4 of the Model Regulations.

51.2 Scope

51.2.1 Desensitized explosives are solid or liquid explosive substances or mixtures which are phlegmatized to suppress their explosive properties in such a manner that they may be excluded from the hazard class "Explosives" (Chapter 2.1 of GHS). Desensitized explosives, should be first tested according to the tests series 1 (type 1(a)), 2 and 6 (type (a) and (b), respectively) of this Manual¹.

51.2.2 The appropriate classification procedures for desensitized explosives should be undertaken before they are offered for supply and use unless:

- (a) They are manufactured with the view to producing a practical, explosive or pyrotechnic effect;
- (b) They have a mass explosion hazard according to Test Series 6(a) or 6(b) or their corrected burning rate according to the burning rate test 51.4 is more than 1 200 kg/min;
- (c) Their exothermic decomposition energy is less than 300 J/g².

51.3 Classification procedure

51.3.1 Before packaged substances or mixtures are subjected to the burning rate test, the test series 6 types 6 (a) and 6 (b) shall be performed in alphabetical order. The substances or mixtures should be tested first with a standard detonator (Appendix 1 of the Manual) and, if no explosion occurs, with an igniter just sufficient (but not more than 30 g of black powder) to ensure ignition of the substance or mixture in the packaging. The initiation system giving a positive result in the 6 (a) test should be used for the 6 (b) test.

¹ *Unstable explosives as defined in Chapter 2.1 of GHS can also be stabilized by desensitization and consequently may be classified as desensitized explosive, provided all criteria of Chapter 2.17 of GHS are met. In this case the desensitized explosive should be tested according to test series 3 (Part I of this Manual) because information about its sensitiveness to mechanical stimuli is likely to be important for determining conditions for safe handling and use. The results should be communicated in the safety data sheet.*

² *The exothermic decomposition energy should be determined using the explosive already desensitized (i.e.: the homogenous solid or liquids mixture formed by the explosive and the substance(s) used to suppress its explosive properties). The exothermic decomposition energy may be estimated using a suitable calorimetric technique (see Section 20, sub-section 20.3.3.3 in Part II of this Manual).*

51.3.2 However, it is not always necessary to conduct tests of all types. Test type 6 (b) may be waived if in each type 6 (a) test:

- (a) The exterior of the package is undamaged by internal detonation and/or ignition; or
- (b) The contents of the package fail to explode, or explode so feebly as would exclude propagation of the explosive effect from one package to another in test type 6(b).

51.3.3 If a substance or mixture gives a negative result (no propagation of detonation) in the Series 1 type 1(a) test, the 6(a) test with a detonator may be waived³. If a substance or mixture gives a negative result (no or slow deflagration) in a Series 2 type 2(c) test, the 6 (a) test with an igniter may be waived.

51.3.4 The test for determination of the burning rate by large-scale test need not be performed if, in a test type 6 (b), there is practically instantaneous explosion of virtually the total contents of the stack. In such cases the product is assigned to Division 1.1.

51.4 Burning rate test (external fire)

51.4.1 Introduction

51.4.1.1 The test method for determination of the burning rate (10 000 kg scale burning rate) is to be used to determine the behaviour of substances or mixtures as packaged for storage and use if involved in an external fire. This test is performed with several packages of the substances or mixtures to determine:

- (a) Whether there is a mass explosion hazard, a hazard from dangerous projection or a too violent burning,
- (b) A burning rate (10 000 kg scaled), which depends on the total mass.

51.4.1.2 The burning rate is defined as the extrapolated burning rate for a mass of 10 000 kg packaged material. In practice, this burning rate is determined using both a single package and stacks of packages, following by an extrapolation procedure. The tests are performed with the substances or mixtures in the packages as provided for storage and use. All types of packages are subjected to the tests unless:

- (a) A substance or mixture, as packed for supply and use, may be unambiguously assigned to a burning rate and category by a competent authority on the basis of results from other tests or of available information; or
- (b) The substance or mixture, as packed for supply and use, is assigned to the hazard class "Explosives", Division 1.1.

51.4.1.3 The corrected burning rate (10 000 kg scaled) is to be used for classification into four different categories.

51.4.2 Apparatus and materials

51.4.2.1 The test should be applied to packages of substances or mixtures in the condition and form in which they are offered for supply and use (including storage). The following elements are needed:

- (a) A number of 1, 6 and 10 packages, with a net mass of desensitized explosive of 25 kg in each package;
- (b) A number of 1, 3 and 6 packages, with a net mass of desensitized explosive between 25 kg and 50 kg in each package;

³ If the type 1 (a) test is not carried out the Series 6 type 6(a) test cannot be waived.

- (c) A number of 1 and up to six packages, with a net mass of desensitized explosive of more than 50 kg, the total net mass should not be greater than 500 kg;
- (d) One or two trays with an adequate size and height to contain the wooden pallets and the packages and to protect the ground;
- (e) Wooden pallets (e.g. according to DIN 15146), with wood-wool distributed between, under and above the packages;
- (f) A suitable ignition source guaranteeing the ignition of the wooden pallets/wood-wool and consequently the tested packages (a mixture of gasoline and light fuel oil 10/90 evenly distributed over the packages and the wood-wool is recommended);
- (g) Cine and/or video cameras and suitable equipment to measure the heat of radiation, e.g. infrared sensors and/or thermo cameras.

51.4.2.2 The number of tests and/or the total mass (whereas necessary) should be increased if the test results are ambiguous and the corresponding hazards cannot be clearly defined.

51.4.3 Procedure

51.4.3.1 The tests start with a single package and then the number of packages are successively increased as mentioned under 51.4.2.1 (a), (b) or (c). Normally the burning rate test should be performed once for each number of packages. The required numbers of packages, in the condition and way in which they are offered for supply and use (including storage), are arranged in such way, that the most severe results are anticipated, on wooden and leveled pallets. The pallets are placed in one (or two, if necessary) trays. A tray must comprise at least one complete pallet including 10 cm open space all around the pallet. Flammable material (wood-wool, paper, etc.) is placed under and around the packages in such a way that an optimum ignition is guaranteed (see 51.4.2.1 (f)).

NOTE: A quantity of about 10 kg dry wood-wool is usually sufficient. The wooden pallets and the dry wood-wool shall be soaked with a liquid mixture of fuel (about 10 liter, see 51.4.2.1 (f)).

51.4.3.2 The heat of radiation is measured during the test by suitable equipment, at least at three locations with three different distances from the seat of fire (the distances depend on the sensitivity of the equipment (sensors, thermo camera, etc.) and should be calculated before the test.

51.4.3.3 The signals are continuously recorded. The starting-point of the fire outbreak is defined as the moment when a reaction of the substance is detected. The end of the fire is determined from registered radiation curves.

51.4.3.4 If a mass explosion or individual explosions or metallic projections (fragments) are observed this should be noted in the test report.

51.4.4 Test criteria and method of assessing results

51.4.4.1 The burning rates A and A_{10t} are determined as follows:

- (a) The starting point of the fire is defined as the moment at which the substance or mixture reacts detectably. The end of the fire is characterized by a decrease in radiation level I (as caused by the fire) to less than 5% of the maximum level (I_{max}) (see Figure 51.4.1);
- (b) The effect of either remainder or burning materials, if present, shall be taken into account in the evaluation;
- (c) The burning time t is the time span between the starting point and the end of the fire;

- (d) The burning rate A [kg/min] can be calculated for each tested quantity m [kg] and its corresponding burning time t [min] from the equation:

$$A = \frac{m}{t}$$

- (e) $\log A$ is plotted against $\log m$, where A is the determined burning rate, and m is the mass of substance or mixture used for the test. The observed test results are extrapolated by means of this graph to an uncorrected burning rate A_{10t} for a mass of 10 000 kg corresponding to the following function:

$$A_{10t} = \left(\frac{10000 \text{ kg}}{m} \right)^{\frac{2}{3}} A$$

51.4.4.2 The corrected burning rate A_C is determined as follows:

- (a) The internal amount of energy of the substance is partially converted into radiation. The percent average radiation efficiency η at a distance from the fire is determined from the measured radiation level ($dose_{measured}$) and the theoretical maximum energy ($dose_{calculated}$);

$$\eta = \frac{dose_{measured}}{dose_{calculated}}$$

- (b) The theoretical maximum energy is calculated by multiplying the individual mass of tested substance m [kg] with the heat of combustion H_v [kJ/kg]⁴

$$dose_{calculated} = H_v \cdot m$$

- (c) The amount of energy that in practice appears to be transferred by radiation is determined by integrating the area below the measured radiation curve;

$$dose_{measured} = f(t) = \left[\sum_{t=start}^{end} \frac{(I_{(t+\Delta t)} + I_t)}{2} \cdot \Delta t \right] \cdot 4 \pi \cdot r^2$$

The numerical integration of the radiation intensities I_t [W/m²] over the total burning time delivers $dose_{measured}$ [kJ] at the distance r [m].

- (d) To this end a graph is made showing the radiation level I [kW/m²] as a function of time. The complete radiation dose is calculated by integration of the smoothed and corrected curve down to 1% to 5% of I_{max} ;
- (e) $I_{relevant}$ is obtained from the maximum of the curve of heat radiation calculated as average value of the radiation by converting the integrated area in a rectangle of equal size during the same time span;
- (f) The form factor f that must be taken into account during the maximum fire intensity can be averaged from the formula:

$$f = \frac{I_{relevant}}{I_{calculated}}$$

⁴ Should be determined by a suitable technique e.g. combustion calorimeter.

(g) The corrected burning rate A_c is calculated as follows:

$$A_c = A_{10r} \cdot \frac{H_v}{33\,500} \cdot \frac{\eta}{0.25} \cdot \frac{f}{2.78}$$

Where H_v is the heat of combustion of the substance [kJ/kg] (i.e. reaction enthalpy of the burning reaction); η is the radiation efficiency and f the form factor. A_c is the corrected burning rate [kg/min] for a quantity of 10 000 kg.

51.4.4.3 If a mass explosion or individual explosions or metallic projections (fragments) occur the substance or mixture is classified in the hazard class “explosives”.

51.4.4.4 The test results are assessed on the basis of the corrected burning rate A_c for a quantity of 10 000 kg of the packaged substance or mixture.

51.4.4.5 The test criteria for determining the burning behavior of substances or mixtures are:

Category 1: Any substance or mixture with a corrected burning rate A_c equal to or greater than 300 kg/min but not more than 1200 kg/min;

Category 2: Any substance or mixture with a corrected burning rate A_c equal to or greater than 140 kg/min but less than 300 kg/min;

Category 3: Any substance or mixture with a corrected burning rate A_c equal to or greater than 60 kg/min but less than 140 kg/min;

Category 4: Any substance or mixture with a corrected burning rate A_c less than 60 kg/min.

Any substance or mixture with a corrected burning rate greater than 1200 kg/min is classified as an explosive (See Chapter 2.1 of the GHS).

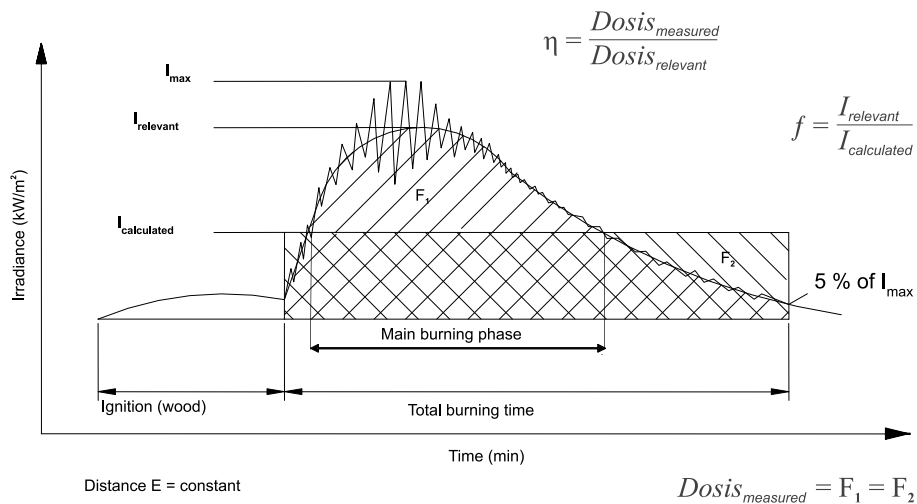


Figure 51.4.1: Measurement of radiation as a function of time

51.4.5 *Examples of results*

51.4.5.1 The nitrocellulose formulations are packed in fiber drums (1G) with a maximum mass of 140 kg and fiber board boxes (4G) with a maximum mass of 25 kg, assigned to categories as follows:

- (a) Ester soluble (E-grades) nitrocellulose formulations with different phlegmatizers and a nitrogen content of 11.8% to 12.3%

NC-type	IPA 35%	IPA 30%	ETH 35%	ETH 30%	BUT 35%	BUT 30%	Water	Chips ^{a)}
12E	3	2	4	3	2	1 (330 kg/min)	4	1 (1115 kg/min)
22E	3	3	4	3	3	3	4	1 (1115 kg/min)
25E	3	3	4	3	3	3	3	1 (1115 kg/min)

*IPA (Isopropanol), ETH (Ethanol), BUT (Butanol),
a) NC-Chips with 20% plasticizer*

- (b) Medium soluble (M-grades) nitrocellulose formulations with different phlegmatizers and a nitrogen content of 11.3% to 11.8%

NC-type	IPA 35%	IPA 30%	ETH 35%	ETH 30%	BUT 35%	BUT 30%	Water	Chips ^{a)}
15M	-	-	-	-	3	2	-	
27M	3	3	4	4	3	3	4	1 (1115 kg/min)
34M	3	3	4	4	4	-	-	1 (1115 kg/min)

*IPA (Isopropanol), ETH (Ethanol), BUT (Butanol),
a) NC-Chips with 20% plasticizer*

- (c) Alcohol soluble (A-grades) nitrocellulose formulations with different phlegmatizers and a nitrogen content of 10.7% to 11.3%

NC-type	IPA 35%	IPA 30%	ETH 35%	ETH 30%	BUT 35%	BUT 30%	Water	Chips ^{a)}
15A	4	3	4	3	3	2	-	1 (1115 kg/min)
30A	4	3	4	4	3	3	4	1 (1115 kg/min)
32 A	4	3	4	4	4	3	-	-

*IPA (Isopropanol), ETH (Ethanol), BUT (Butanol),
a) NC-Chips with 20% plasticizer*

51.4.6 *Example of a calculation*

NC-formulation (nitrogen content 10.7% to 11.2%) wetted with 30% isopropanol:

Mass of the tested NC formulation: $m = 285 \text{ kg}$
 Burning time: $t = 9.7 \text{ min}$
 Form factor: $f = 3.73$
 Radiation efficiency: $\eta = 0.24$
 Enthalpy of combustion: $H_v = 15626 \text{ kJ/kg}$

Calculation of the burning rate A :

$$A = \frac{m}{t} = \frac{285 \text{ kg}}{9.7 \text{ min}} = 29.4 \frac{\text{kg}}{\text{min}}$$

Calculation of the burning rate A_{10t} :

$$A_{10t} = \left(\frac{10\,000 \text{ kg}}{m} \right)^{\frac{2}{3}} \cdot A = \left(\frac{10\,000 \text{ kg}}{285 \text{ kg}} \right)^{\frac{2}{3}} \cdot 29.4 \frac{\text{kg}}{\text{min}} = 315 \frac{\text{kg}}{\text{min}}$$

Calculation of the corrected burning rate A_c :

$$A_c = A_{10t} \cdot \frac{H_v}{33\,500} \cdot \frac{\eta}{0.25} \cdot \frac{f}{2.78} = 315 \frac{\text{kg}}{\text{min}} \cdot \frac{15\,626 \frac{\text{kJ}}{\text{kg}}}{33\,500 \frac{\text{kJ}}{\text{kg}}} \cdot \frac{0.24}{0.25} \cdot \frac{3.73}{2.78} = 189 \frac{\text{kg}}{\text{min}}$$

The desensitized explosive is classified in category 2.

References

- [1] German "Guideline for the assignment of substances which may show explosive properties to Storage Groups (SprengLR011)"
- [2] Thermal radiation hazards from organic peroxides, Roberts, T.A. and Merrifield, R., *J. Loss. Prev. Process Ind.* 1990, 3, 244.
- [3] Thermal radiation hazard and separation distances for industrial cellulose nitrate, Roberts, T.A. and Merrifield, R., *J. Loss. Prev. Process Ind.* 1992, 5, 311.
- [4] Storage of Organic Peroxides, Publication Series on Dangerous Substances 8 (PGS 8), Ministries of Social Affairs and of the Interior, The State Secretary of Housing, Spatial Planning and Environment (VROM), The Netherlands 2006.
- [5] The storage and handling of organic peroxides, Guidance Note CS21, Health and Safety Executive, 1998, United Kingdom