



Economic and Social Council

Distr.: General
8 April 2015

Original: English

Economic Commission for Europe

Inland Transport Committee

World Forum for Harmonization of Vehicle Regulations

166th session

Geneva, 23-26 June 2015

Item 4.6.10 of the provisional agenda

**1958 Agreement – Consideration of draft amendments
to existing Regulations submitted by GRSP**

Proposal for Supplement 1 to the 01 series of amendments to Regulation No. [135] (Pole Side Impact (PSI))

Submitted by the Working Party on Passive Safety *

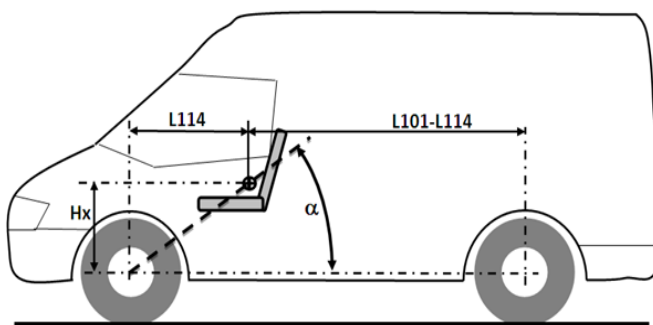
The text reproduced below was adopted by the Working Party on Passive Safety (GRSP) at its fifty-sixth session. It is based on GRSP-56-33 as reproduced in Annex VII to the report (ECE/TRANS/WP.29/GRSP/56). It is submitted to the World Forum for Harmonization of Vehicle Regulations (WP.29) and to the Administrative Committee AC.1 for consideration.

* In accordance with the programme of work of the Inland Transport Committee for 2012–2016 (ECE/TRANS/224, para. 94 and ECE/TRANS/2012/12, programme activity 02.4), the World Forum will develop, harmonize and update Regulations in order to enhance the performance of vehicles. The present document is submitted in conformity with that mandate.

Paragraph 1.1., amend to read:

"1.1. This Regulation applies to:

- (a) Category M₁ vehicles with a gross vehicle mass of up to 3500 kg; and
- (b) Category N₁ vehicles where the acute angle alpha (α), measured between a horizontal plane passing through the centre of the front axle and an angular transverse plane passing through the centre of the front axle and the R-point of the driver's seat, as illustrated below, is less than 22.0 degrees; or the ratio between the distance from the driver's R-point to the centre of the rear axle (L101-L114) and the centre of the front axle and the driver's R-point (L114) is less than 1.30.²



"

² As defined in the Consolidated Resolution on the Construction of Vehicles (R.E.3.), document ECE/TRANS/WP.29/78/Rev.3, para. 2 - www.unece.org/trans/main/wp29/wp29wgs/wp29gen/wp29resolutions.html