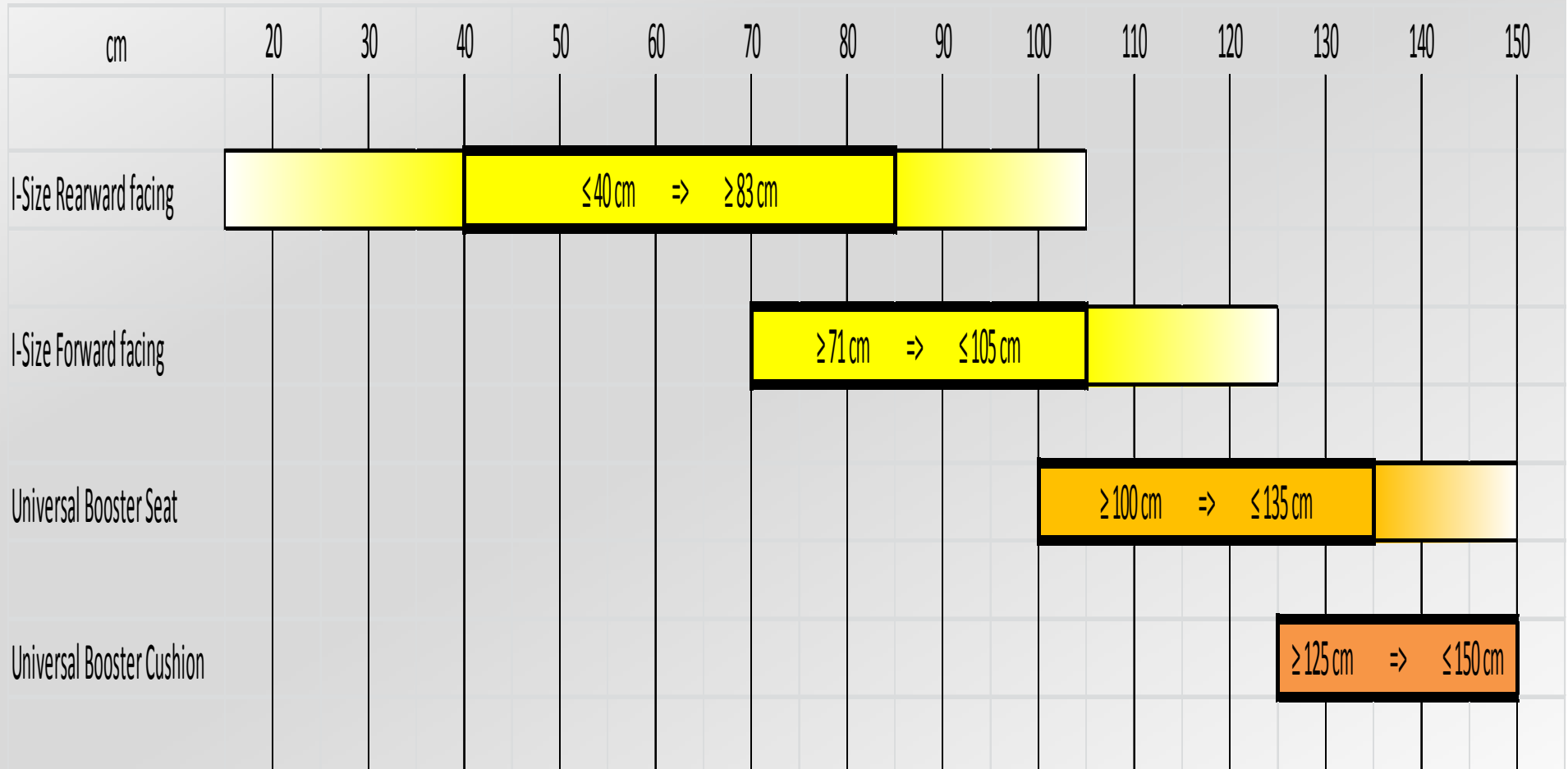


Informal document **GRSP-56-28**
(56th GRSP, 9-12 December 2014,
agenda item 17)

ECE R129 – Phase 2

Booster Seats and Booster Cushions

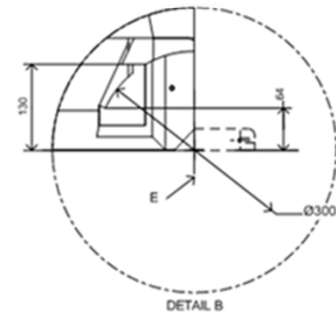
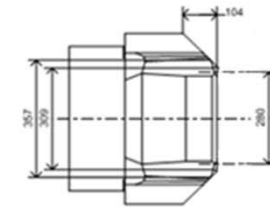
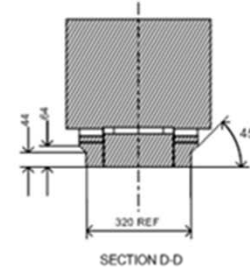
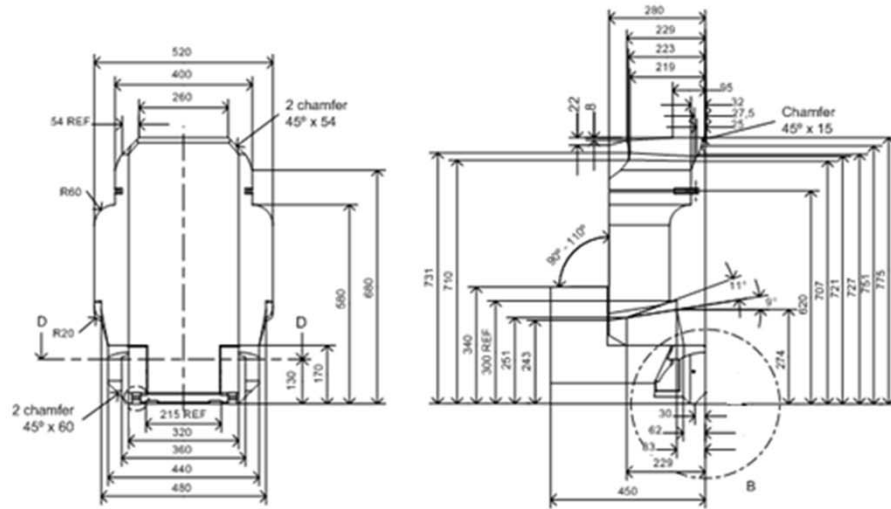
Categories



Universal Booster Seat

- Non-Integral ECRS with backrest
- Size range between 100 cm and 135 cm
- Volume included in ISO F4 fixture
- Without ISOFIX attachments
- If ISOFIX attachments => Stowables
- Tested in:
 - Lateral impact (Q3 or Q6)
 - Frontal impact (Q3, Q6 or Q10)

Universal Booster Seat Fixture

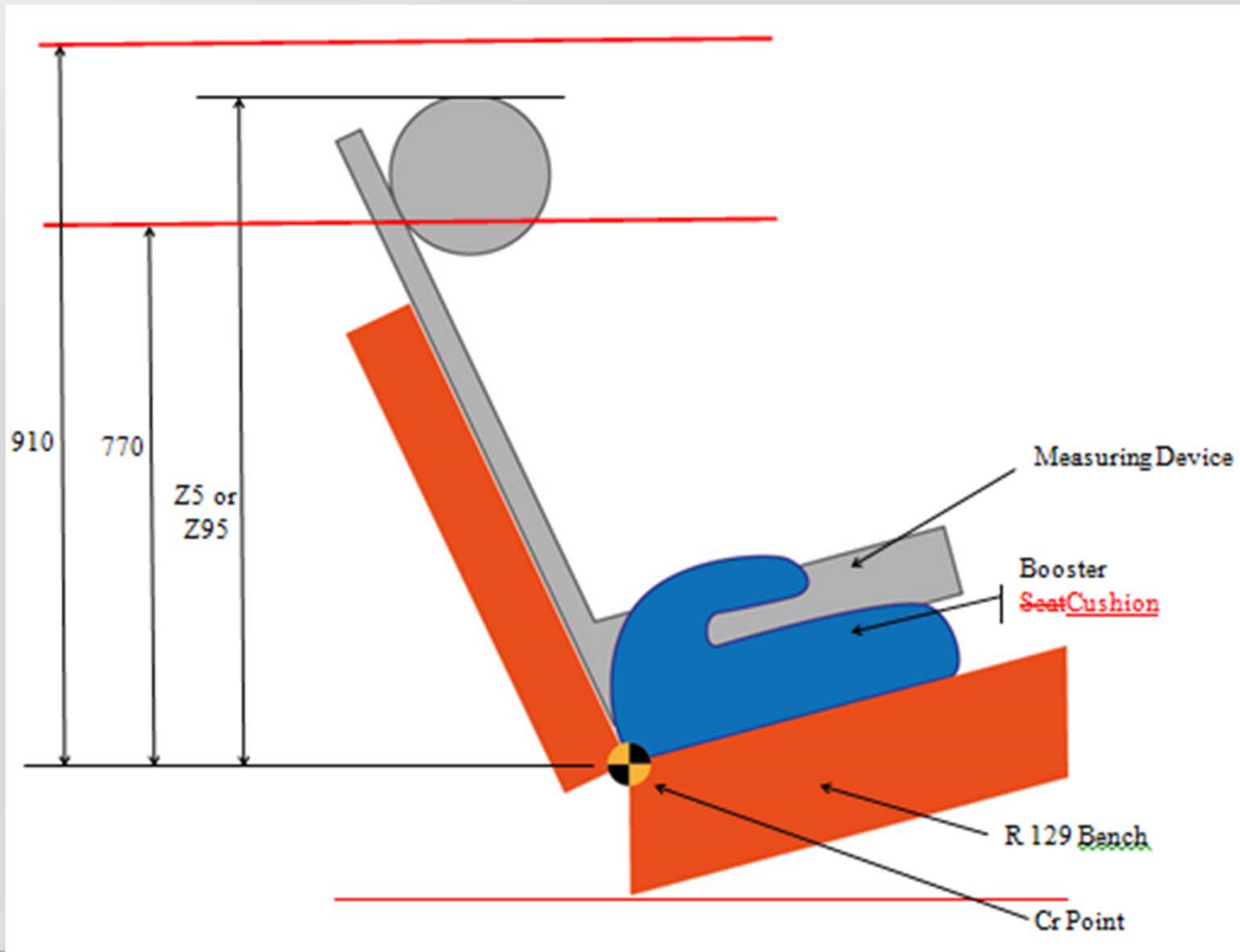


E: Reference line for stowing of ISOFIX attachment

Universal Booster Cushion

- Non-Integral ECRS without backrest
- Size range between 125 cm and 150 cm
- Volume included in ISO F4 fixture
- Without ISOFIX attachments
- If ISOFIX attachments => Stowables
- Not tested in lateral impact
- Tested in frontal impact with Q6 or Q10

Measuring Device to assess Universal Booster Cushion



Upgrade of phase 1

- Y-shaped belts may only be used in rearward and lateral facing ECRS
- Abdominal Pressure Twin Sensors (APTS) are used in the abdomen of the Q1.5, Q3, Q6 and Q10 for frontal impact.
- Editorial errors

APTS V3 specifications

Nominal diameter (mm)	30	50
Dummy	Q1.5	Q3, Q6, Q10
Illustrations: drawings (without cable or collar) and photos		

Dummy	Q1.5	Q3	Q6	Q10
Illustration				