



---

**Committee of Experts on the Transport of Dangerous Goods  
and on the Globally Harmonized System of Classification  
and Labelling of Chemicals****Sub-Committee of Experts on the Transport  
of Dangerous Goods****Forty-second session**

Geneva, 3 December–11 December 2012

Item 3 (b) of the provisional agenda:

**Listing, classification and packing: miscellaneous****Sub-Committee of Experts on the Globally Harmonized  
System of Classification and Labelling of Chemicals****Twenty-fourth session**

Geneva, 12-14 December 2012

Item 2(a) of the provisional agenda

**Updating the Globally Harmonized System of  
Classification and Labelling of Chemicals:  
physical hazards****An Alternative Test Method for Oxidizing Solids and  
Consequential Amendments to the UN Recommendations on  
the Transport of Dangerous Goods (TDG), the Globally  
Harmonized System of Classification and Labelling of  
Chemicals (GHS) and the Manual of Tests and Criteria****Transmitted by the expert of Germany<sup>1</sup>****Introduction**

1. During the last meetings of the Sub-Committee of Experts on the Transport of Dangerous Goods (TDG Sub-Committee) and the Sub-Committee of Experts on the Globally Harmonized System of Classification and Labelling of Chemicals (GHS Sub-Committee), a proposal for the amendment of the test and criteria for oxidizing solids was discussed (UN/SCETDG/41/INF.43 – UN/SCEGHS/23/INF.17).

2. The proposal has included the following main points:

- (a) Replacement of the reference substance potassium bromate (carcinogenic and oral acutely toxic) by calcium peroxide (neither carcinogenic nor acutely toxic).

---

<sup>1</sup> In accordance with the programme of work of the Sub-Committee for 2011-2012 approved by the Committee at its fifth session (refer to ST/SG/AC.10/C.3/76, para. 116 and ST/SG/AC.10/38, para. 16).

- (b) Replacement of the visual determination of the burning time which is highly subjective by a gravimetric determination of the burning rate.

3. The Sub-Committee of Experts on the Transport of Dangerous Goods (ST/SG/AC.10/C.3/82) as well as the Sub-Committee of Experts on the Globally Harmonized System of Classification and Labelling of Chemicals (ST/AC.10/C.4/46) agreed that the proposed alternative test should be considered for inclusion in the Manual of Tests and Criteria. Therefore, the expert from Germany submits this final proposal on basis of a legwork of the Energetic and Oxidizing Substances (EOS) working group of the International Group of Experts on the Explosions Risks of Unstable Substances (IGUS).

4. The Sub-Committee of Experts on the Transport of Dangerous Goods (ST/SG/AC.10/C.3/82) as well as the Sub-Committee of Experts on the Globally Harmonized System of Classification and Labelling of Chemicals (ST/AC.10/C.4/46) noted that the proposed alternative test should replace the current test O.1 after a transition period. The expert of Germany proposes a transition period of not more than four years.

5. The final proposal includes the alternative test method for oxidizing solids and consequential amendments to the UN Model Regulations, the Manual of Tests and Criteria and the GHS also in consideration of the discussion and proposed changes at the last sessions of both Sub-Committees.

## I. Test O.3: Alternative test for oxidizing solids

6. The expert from Germany proposes to insert the following sub-section in the Manual of Tests and Criteria:

### **34.4.3**      *Test O.3: Alternative test for oxidizing solids*

#### 34.4.3.1      *Introduction*

This test method is designed to measure the potential for a solid substance to increase the burning rate or burning intensity of a combustible substance when the two are thoroughly mixed. Tests are conducted on the test substance to be evaluated mixed with dry fibrous cellulose in mixing ratios of 1:1 and 4:1, by mass. The burning rates of these mixtures are compared to the reference mixture of calcium peroxide and cellulose in a mixing ratio of 1:2, by mass. The mass loss of the mixtures during combustion is determined using a balance connected to a [suitable] data recording system, and is recorded as a function of time. If the burning rate (g/s) is equal to or greater than the burning rate of the reference mixture for Packing Group III, it is then compared to the burning rate of the reference mixtures for Packing Group I or II (see table in 34.4.3.4).

The UN Globally Harmonized System of classification and labeling of chemicals, GHS, also refers to this test for classification within the hazard class Oxidizing Solids. For the ranking according to oxidizing power, the GHS uses three Categories which correspond exactly to the Packing Groups used within the transport of dangerous goods regime. The GHS Categories 1, 2 and 3 thus correspond directly to Packing Groups I, II and III, respectively.

It is useful to have preliminary information on any potentially explosive properties of the substance before performing the test, screening procedures can be found in Appendix 6. This test is not applicable for substances which are explosive or flammable and also not for organic peroxides.

#### 34.4.3.2      *Materials*

34.4.3.2.1 Technically pure, finely powdered calcium peroxide with a concentration of 75 %  $\pm$  0.5 % is required as the reference oxidizer. The concentration of impurities such as chlorides or compounds which generate water during combustion should be low, as they may impact on the burning behavior of the reference piles. Calcium peroxide meeting the specification below can be used without further pretreatment.<sup>2</sup>

CaO <sub>2</sub> :	75 % $\pm$ 0.5 %
Ca(OH) <sub>2</sub> :	20 % to 25 %
CaCO <sub>3</sub> :	0 % to 5 %
Chloride:	max 500 ppm
Particle size:	min 99 % < 75 $\mu$ m, and thereof min 50 % < 20 $\mu$ m

34.4.3.2.2 Dried fibrous cellulose with a fibre length between 50  $\mu$ m and 250  $\mu$ m and a mean diameter of 25  $\mu$ m is used as the combustible material. It is dried to constant mass (for a minimum of 4 hours), in a layer no more than 25 mm thick, at 105 °C and kept in a desiccator (with desiccant) until cool and required for use. The water content should be less than 0.5 % by dry mass. If necessary, the drying time should be prolonged to achieve this. The bulk density of the cellulose used for the test should be such (sufficiently high) that the test mixture for Packing Group III (30.0 g  $\pm$  0.1 g) can be completely accommodated in the conical funnel.

34.4.3.2.3 The test-substance, in the form in which it will be presented, should be inspected for any particles less than 500  $\mu$ m in diameter. If that powder constitutes more than 10 % (by mass) of the total, or if the substance is friable, then the whole of the test sample should be ground to a powder of less than 500  $\mu$ m before testing, to allow for a reduction in particle size during handling and transport. Because the particle size influences the oxidizing properties of a substance, a coarse oxidizer may be classified as Packing Group III, while a finer grade of the same material may show a faster burning rate and may result in different GHS-classifications and assigned transport Packing Groups for different forms of the same material.

#### 34.4.3.3 Apparatus<sup>3</sup>

34.4.3.3.1 An appropriate balance is required, with a suitable range, accuracy and data transfer capability, equipped with an interface (e.g. USB or RS232) to allow data acquisition. The required data (time, mass) are recorded, preferably with a frequency of at least 5 data per second. Any suitable software capable of recording the output of the balance may be used. It is recommended to check the time frequency of the software and the monitoring of time by a stopwatch maybe useful.

34.4.3.3.2 An ignition source is required, comprising an inert metal wire connected to an electrical power source capable of maintaining the power dissipation specified below. The electrical resistance depends on the wire material. It is recommended to use Nickel/Chromium or AluChrom wire as follows:

- |     |   |                     |
|-----|---|---------------------|
| (a) | Length                                  | = 30 cm $\pm$ 1 cm; |
| (b) | Diameter                                | below 1 mm;         |
| (c) | Electrical power dissipated in the wire | = 150 W $\pm$ 7 W.  |

<sup>2</sup> Obtainable from the national contact for test details in Germany (see Appendix 4).

<sup>3</sup> Technical information about a suitable design and video training are obtainable from the national contact for test details in Germany (Appendix 4)

The wire should be shaped as shown in figure 34.4.3.2. It is very important that the power connection to the heating wire is flexible enough to avoid any influence on the proper operation of the balance.

34.4.3.3.3 A 60° funnel, with an internal diameter of 70 mm and sealed at the narrow end, is required to form the mixtures into a truncated conical pile with a base diameter of 70 mm on a cool, impervious, low heat conducting plate.

34.4.3.3.4 An insulating test plate is needed to avoid loss of energy by thermal conduction. A 150 mm by 150 mm test plate with a thickness of at least 6 mm and a thermal conductivity at 0 °C of  $0.23 \text{ W}\cdot\text{m}^{-1}\cdot\text{K}^{-1}$  or less is suitable. Other plates with a similar conductivity may be used. In order to increase the lifetime of the test plate, it may be covered with a thin ceramic sheet with the same low thermal conductivity.

34.4.3.3.5 A fume cupboard or other suitably ventilated area is required but the air stream velocity should be 0.5 m/s or less. ***The fume extraction system should be capable of capturing all toxic fumes.***

34.4.3.3.6 To construct the support for the burning trial on the balance a base plate of solid material (steel or other suitable material), a positioning plate of fire resistant material (the same material as test-plate is recommended) and guide bars are required.

34.4.3.3.7 The air stream of the ventilation must be prevented from affecting the balance and thereby altering the test result. A windshield protecting the complete test equipment against draughts from the ventilation or environment is the preferred means.

34.4.3.3.8 It is mandatory that the burning conical pile is always placed at the centre of the balance. It is also important to protect the balance from heat and burning particles during the test. To achieve this, the following general configuration is recommended (the letters in brackets refer to figure 34.4.3.1):

- (a) Two plates are used to ensure always the same position on the balance and to protect the balance. The base plate (H) is larger than the balance and made of solid material. It is recommended to use some buffers fixed to the lower side to reduce vibrations from the environment. 2 to 4 metal guide bars (G) are fixed on the bottom plate as shown in figure 34.4.3.1 to ensure always the same positioning of the positioning plate (F) and test plate (C) on the balance during testing. The base plate should be rigid enough to keep the guide bars always in a stable position (e.g. 4 mm steel or 16 mm polyamide). The balance has to be placed always at the same central position on the base plate;
- (b) The positioning plate (F) is made of fire resistant low conductivity material, similar in properties to the test plate (see 34.4.3.3.4). The holes drilled in the positioning plate for the bars should be about 8 mm larger in diameter than the bars themselves;
- (c) The bars always have to be positioned in the center of the holes to prevent any contact between the positioning plate (F) and the bars, in order not to affect the operation of the balance. Some check marks should be fixed on the positioning plate (F) to position the test plate (C) in the correct position in the center of the balance;
- (d) The electrical connection between the power supply and the heated wire must be flexible enough to avoid interfering with free movement of the balance pan due to resistance or movement. This can be achieved by using a flexible wire and a support close to the test plate.

Coiling of the wire between the support and the test plate will provide additional flexibility;

- (e) The windshield (D) can be integral with the bottom plate or placed around the complete test equipment. The windshield should have no gaps at the bottom. The windshield itself should be closed and about 10 cm higher than the equipment to prevent air streams from the top.

#### 34.4.3.4 Procedure

The following samples are required:

<i>Sample</i>	<i>Components</i>	<i>Mixing ratio by mass</i>
Test substance mixture 1:1	Test substance and cellulose	1:1
Test substance mixture 4:1	Test substance and cellulose	4:1
Reference mixture for Packing Group I	Reference substance and cellulose	3:1
Reference mixture for Packing Group II	Reference substance and cellulose	1:1
Reference mixture for Packing Group III	Reference substance and cellulose	1:2

34.4.3.4.1 30.0 g  $\pm$  0.1 g of each of the reference mixtures and 30.0 g  $\pm$  0.1 g of both mixtures of the test substance are prepared. Each mixture should be mixed mechanically as thoroughly as possible for at least 1 minute, but without excessive stress. Each mixture should be prepared individually, used as soon as possible, and not taken from a batch.

34.4.3.4.2 Using the conical funnel, the mixture should be formed into a truncated conical pile with a base diameter of 70 mm. Form the pile by tapping the funnel slightly after filling; cover the funnel with the test plate -including the sheet (if any)- and invert both. Tap slightly on the funnel before removing. The pile should now cover the looped ignition wire resting on test plate. The test should be performed at atmospheric pressure with an ambient temperature of 20 °C  $\pm$  5 °C and a relative humidity below 60 %, to reduce absorption of moisture by the cellulose during handling.

34.4.3.4.3 The balance, placed in the ventilated area as mentioned above is set to zero. Power is applied to the ignition wire and is maintained for the duration of the test, or for three minutes if the mixture does not ignite and burn. Data collection should start a few seconds before the power supply is switched on, and should proceed until the reaction ends or the mass loss over 1 minute is less than 1 g. If the heating wire breaks, the test should be repeated to ensure that early breakage of the wire does not influence the test result.

#### 34.4.3.5 Test criteria and method of assessing results

##### 34.4.3.5.1 The results are assessed on the basis of:

- The comparison of the mean burning rate with those of the reference mixtures;
- Whether the mixture of the test substance and cellulose ignites and burns.

##### 34.4.3.5.2 The combustion of the conical pile can be divided into three periods:

- Start period: between 0 % and 20 % of the total mass loss;

- (b) Main combustion period, between 20 % and 80 % of the total mass loss; and
- (c) End of the reaction, between 80 % mass loss and the end of the reaction.

In the main combustion period the mass loss per unit time is quite constant. For this reason a linear regression (based on the least square approach) can be used to check the quality of the data collected.

34.4.3.5.3 The burning rate (BR) depends on the burning intensity and the amount of cellulose in the mixture. It is therefore defined as the quotient of 60 % of the total amount of cellulose in the conical pile and the main combustion time  $t_{20-80}$ . The time  $t_{20-80}$  is the time between 20 % and 80 % of the total mass loss. The total mass loss is the difference in weight before ignition and at the end of the main reaction, defined as a rate of mass loss rate of less than 1 g per minute.

The burning rate BR<sub>20-80</sub> is therefore calculated by the following equation:

$$BR_{20-80} = \frac{0.6 \times m_{cellulose}}{t_{20-80}}$$

where:

BR<sub>20-80</sub> = burning rate between 20 % to 80% in g/s

$m_{cellulose}$  = mass of cellulose in mixture in gram

$t_{20-80}$  = burning time between 20 % to 80 % of total mass loss in seconds

The profile of each burning test has to be examined by plotting the mass loss as a function of time. The graph can also be used for decision making and should be used in case of doubt. The coefficient of correlation ( $R^2$ ) of the mass curve of each burning test should be at least 0.95 between 20 % to 80% mass loss, otherwise the burning trial has to be repeated. Five valid tests should be performed with each reference and test substance mixture. The standard deviation of the burning rates within these five tests should not exceed 10 % in total.

34.4.3.5.4 The test criteria for determining transport Packing Groups on basis of the oxidizing properties of the substance are:

Packing Group I: Any substance which, in the 4:1 or 1:1 sample-to-cellulose ratio (by mass) tested, exhibits a mean burning rate greater than the mean burning rate of a 3:1 mixture, by mass, of calcium peroxide and cellulose.

Packing Group II: Any substance which, in the 4:1 or 1:1 sample-to-cellulose ratio (by mass) tested, exhibits a mean burning rate equal to or greater than the mean burning rate of a 1:1 mixture (by mass) of calcium peroxide and cellulose and the criteria for Packing Group I are not met.

Packing Group III: Any substance which, in the 4:1 or 1:1 sample-to-cellulose ratio (by mass) tested, exhibits a mean burning rate equal to or greater than the mean burning rate of a 1:2 mixture (by mass) of calcium peroxide and cellulose and the criteria for Packing Groups I and II are not met.

Not Division 5.1: Any substance which, in both the 4:1 and 1:1 sample-to-cellulose ratio (by mass) tested, does not ignite and burn, or exhibits mean burning rates less than that of a 1:2 mixture (by mass) of calcium peroxide and cellulose.

For substances having other risks, e.g. toxicity or corrosivity, section 2.0.3 of the Model Regulations applies.

In GHS-terminology, the test criteria for determining the classification due to the oxidizing properties of a solid substance are analogous to those used in transport:

Category 1: Any substance which, in the 4:1 or 1:1 sample-to-cellulose ratio (by mass) tested, exhibits a mean burning rate greater than the mean burning rate of a 3:1 mixture (by mass) of calcium peroxide and cellulose.

Category 2: Any substance which, in the 4:1 or 1:1 sample-to-cellulose ratio (by mass) tested, exhibits a mean burning rate equal to or greater than the mean burning rate of a 1:1 mixture (by mass) of calcium peroxide and cellulose and the criteria for Category 1 are not met.

Category 3: Any substance which, in the 4:1 or 1:1 sample-to-cellulose ratio (by mass) tested, exhibits a mean burning rate equal to or greater than the mean burning rate of a 1:2 mixture (by mass) of calcium peroxide and cellulose and the criteria for Category 1 and 2 are not met.

Not an oxidizing solid: Any substance which, in both the 4:1 and 1:1 sample-to-cellulose ratio (by mass) tested, does not ignite and burn, or exhibits mean burning rates less than that of a 1:2 mixture (by mass) of calcium peroxide and cellulose.

34.4.3.5.5 If a false positive result is suspected, the results obtained when testing the substance mixed with an inert material and/or when testing under an inert atmosphere should also be considered when interpreting the results.

34.4.3.5.6 If the shape of the mass loss curve indicates the test is invalid, the mixing procedure or test set-up affecting free movement of the balance pan should be examined.

34.4.3.6 Example of results

**NOTE:** The results given in this table should be understood as illustrative examples since the results obtained with a particular oxidizer will depend on the particle size etc. The test results of the examples are not intended to form the basis for classifications (see also 2.14.4.2.1 of Chapter 2.14 in Part 2 of the GHS and 2.5.2.1.1 of Chapter 2.5 in the Model Regulations, respectively).

<i>Substance</i>	<i>Particle size, median value (D50 [<math>\mu</math>m])</i>	<i>Resulting Packing Group</i>
Ammonium dichromate	300	III <sup>1</sup>
Calcium nitrate (tetra hydrate)	1050	III <sup>1</sup>
Cobalt nitrate (hexahydrate)	1200	Not 5.1 <sup>1</sup>
Nickel nitrate	1200	Not 5.1 <sup>1</sup>

<i>Substance</i>	<i>Particle size, median value (D50 [<math>\mu</math>m])</i>	<i>Resulting Packing Group</i>
Potassium nitrite	200	I <sup>2,a</sup>
Potassium perchlorate	220	II <sup>1</sup>
Potassium perchlorate	30	II <sup>2</sup>
Potassium permanganate	200	I <sup>1,2,a</sup>
Sodium chlorate	220	I <sup>2,a</sup>
Sodium nitrite	320	II <sup>1,b</sup>
Sodium nitrate	200	II <sup>1,b</sup>
Strontium nitrate (anhydrous)	250	Not 5.1 <sup>1</sup>

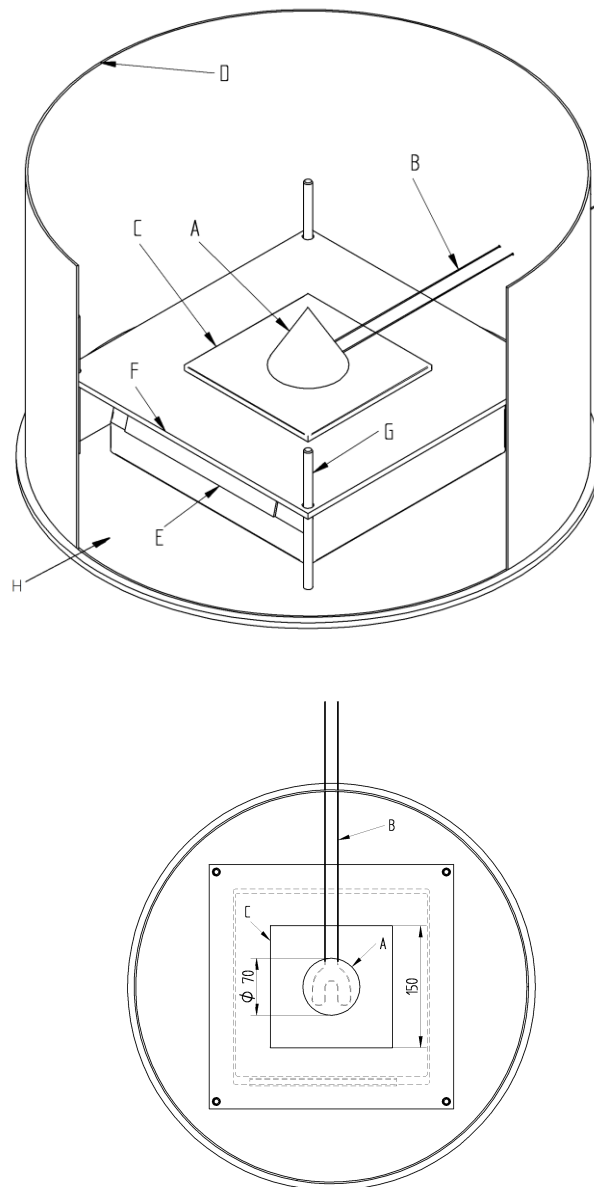
<sup>a</sup> Currently PG II

<sup>b</sup> Currently PG III

<sup>1</sup>Solvay

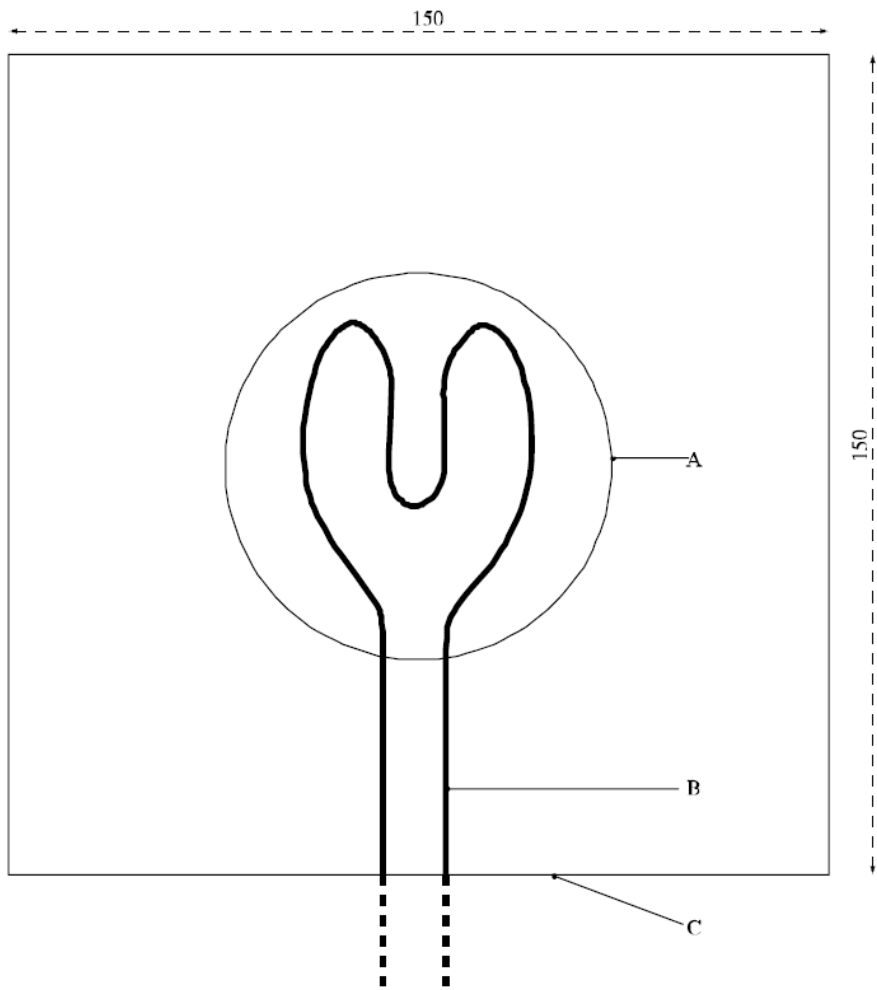
<sup>2</sup>BAM





- (A) Conical pile
- (B) Heating wire
- (C) Test plate
- (D) Wind shield
- (E) Balance with interface
- (F) Positioning plate
- (G) Bars to fix positioning plate (F) and test plates (C) at defined location on balance
- (H) Base plate

**Figure 34.4.3.1: Scheme of UN O.1 Test configuration**



- 
- (A) Conical pile (base)
  - (B) Heating wire
  - (C) Test plate
- 

**Figure 34.4.3.2: TEST PLATE AND IGNITION WIRE**

### III. Consequential amendments

#### Model Regulations

7. Replace 2.5.2.2.1.1 of the Model Regulations as follows:

“2.5.2.2.1.1 Tests are performed to measure the potential for the solid substance to increase the burning rate or burning intensity of a combustible substance when the two are thoroughly mixed. The procedure is given in the Manual of Tests and Criteria, Part III, sub-section 34.4.1 (test O.1 test) or alternatively, in sub-section 34.4.3 (test O.3). Tests are conducted on the substance to be evaluated mixed with dry fibrous cellulose in mixing ratios of 1:1 and 4:1, by mass, of sample to cellulose. The burning characteristics of the mixtures are compared:

  - (a) In the test O.1, with the standard 3:7 mixture, by mass, of potassium bromate to cellulose. If the burning time is equal to or less than this standard mixture, the burning times shall be compared with those from the packing group I or II reference standards, 3:2 and 2:3 ratios, by mass, of potassium bromate to cellulose respectively, or
  - (b) In the test O.3, with the standard 1:2 mixture, by mass, of calcium peroxide to cellulose. If the burning rate is equal to or less than this standard mixture, the burning rates shall be compared with those from the packing group I or II reference standards 3:1 and 1:1 ratios, by mass, of calcium peroxide to cellulose, respectively (for the O.3 test).”
8. Replace 2.5.2.2.1.2 of the Model Regulations as follows:

“2.5.2.2.1.2 The classification test results are assessed on the basis of:

  - (a) The comparison of the mean burning time (for the test O.1) or burning rate (for the test O.3) with those of the reference mixtures; and
  - (b) Whether the mixture of substance and cellulose ignites and burns.”
9. Replace 2.5.2.2.1.3 of the Model Regulations as follows:

“2.5.2.2.1.3 A solid substance is classified in Division 5.1 if the 4:1 or 1:1 sample-to-cellulose ratio (by mass) tested, exhibits:

  - (a) In the test O.1, a mean burning time equal to or less than the mean burning time of a 3:7 mixture (by mass) of potassium bromate and cellulose ; or
  - (b) In the test O.3, a mean burning rate equal to or greater than the mean burning rate of a 1:2 mixture (by mass) of calcium peroxide and cellulose.”
10. Replace 2.5.2.2.2 of the Model Regulations as follows:

“2.5.2.2.2 Assignment of packing groups

Solid oxidizing substances are assigned to a packing group according to one of the test procedures in the Manual of Tests and Criteria, Part III, sub-section

34.4.1 (test O.1) or sub-section 34.4.3 (test O.3), in accordance with the following criteria:

- (a) Test O.1:
  - (i) Packing group I: any substance which, in the 4:1 or 1:1 sample-to-cellulose ratio (by mass) tested, exhibits a mean burning time less than the mean burning time of a 3:2 mixture, by mass, of potassium bromate and cellulose;
  - (ii) Packing group II: any substance which, in the 4:1 or 1:1 sample-to-cellulose ratio (by mass) tested, exhibits a mean burning time equal to or less than the mean burning time of a 2:3 mixture (by mass) of potassium bromate and cellulose, and the criteria for packing group I are not met;
  - (ii) Packing group III: any substance which, in the 4:1 or 1:1 sample-to-cellulose ratio (by mass) tested, exhibits a mean burning time equal to or less than the mean burning time of a 3:7 mixture (by mass) of potassium bromate and cellulose, and the criteria for packing groups I and II are not met;
  - (iv) Not Division 5.1: any substance which, in both the 4:1 and 1:1 sample-to-cellulose ratio (by mass) tested, does not ignite and burn, or exhibits mean burning times greater than that of a 3:7 mixture (by mass) of potassium bromate and cellulose.
- (b) Test O.3:
  - (i) Packing group I: any substance which, in the 4:1 or 1:1 sample-to-cellulose ratio (by mass) tested, exhibits a mean burning rate greater than the mean burning rate of a 3:1 mixture (by mass) of calcium peroxide and cellulose;
  - (ii) Packing group II: any substance which, in the 4:1 or 1:1 sample-to-cellulose ratio (by mass) tested, exhibits a mean burning rate equal to or greater than the mean burning rate of a 1:1 mixture (by mass) of calcium peroxide and cellulose, and the criteria for packing group I are not met;
  - (ii) Packing group III: any substance which, in the 4:1 or 1:1 sample-to-cellulose ratio (by mass) tested, exhibits a mean burning rate equal to or greater than the mean burning rate of a 1:2 mixture (by mass) of calcium peroxide and cellulose, and the criteria for packing groups I and II are not met;
  - (iv) Not Division 5.1: any substance which, in both the 4:1 and 1:1 sample-to-cellulose ratio (by mass) tested, does not ignite and burn, or exhibits a mean burning rate less than the mean burning rate of a 1:2 mixture (by mass) of calcium peroxide and cellulose.”

## **GHS**

11. Replace 2.14.2 of the Globally Harmonized System of Classification and Labelling of Chemicals (GHS) as follows:

**“2.14.2 Classification criteria**

An oxidizing solid is classified in one of the three categories for this class using test O.1 in Part III, sub-section 34.4.1 or test O.3 in Part III, subsection 34.4.3 of the *UN Recommendations on the Transport of Dangerous Goods, Manual of Tests and Criteria*, according to the following table:

**Table 2.14.1: Criteria for oxidizing solids**

Category	Criteria using test O.1	Criteria using test O.3
1	Any substance or mixture which, in the 4:1 or 1:1 sample-to-cellulose ratio (by mass) tested, exhibits a mean burning time less than the mean burning time of a 3:2 mixture (by mass) of potassium bromate and cellulose.	Any substance or mixture which, in the 4:1 or 1:1 sample-to-cellulose ratio (by mass) tested, exhibits a mean burning rate greater than the mean burning rate of a 3:1 mixture (by mass) of calcium peroxide and cellulose.
2	Any substance or mixture which, in the 4:1 or 1:1 sample-to-cellulose ratio (by mass) tested, exhibits a mean burning time equal to or less than the mean burning time of a 2:3 mixture (by mass) of potassium bromate and cellulose and the criteria for Category 1 are not met.	Any substance or mixture which, in the 4:1 or 1:1 sample-to-cellulose ratio (by mass) tested, exhibits a mean burning rate equal to or greater than the mean burning rate of a 1:1 mixture (by mass) of calcium peroxide and cellulose and the criteria for Category 1 are not met.
3	Any substance or mixture which, in the 4:1 or 1:1 sample-to-cellulose ratio (by mass) tested, exhibits a mean burning time equal to or less than the mean burning time of a 3:7 mixture (by mass) of potassium bromate and cellulose and the criteria for Categories 1 and 2 are not met.	Any substance or mixture which, in the 4:1 or 1:1 sample-to-cellulose ratio (by mass) tested, exhibits a mean burning rate equal to or greater than the mean burning rate of a 1:2 mixture (by mass) of calcium peroxide and cellulose and the criteria for Categories 1 and 2 are not met.

**NOTE 1:** Some oxidizing solids may also present explosion hazards under certain conditions (e.g. when stored in large quantities). For example, some types of ammonium nitrate may give rise to an explosion hazard under extreme conditions and the “Resistance to detonation test” (BC Code<sup>4</sup>, Annex 3, Test 5) may be used to assess this hazard. Appropriate comments should be made in the Safety Data Sheet.

**NOTE 2:** For classification tests on solid substances or mixtures, the tests should be performed on the substance or mixture as presented. If for example, for the purposes of supply or transport, the same chemical is to be presented in a physical form different from that which was tested and which is considered likely to materially alter its performance in a classification test, the substance or mixture must also be tested in the new form.

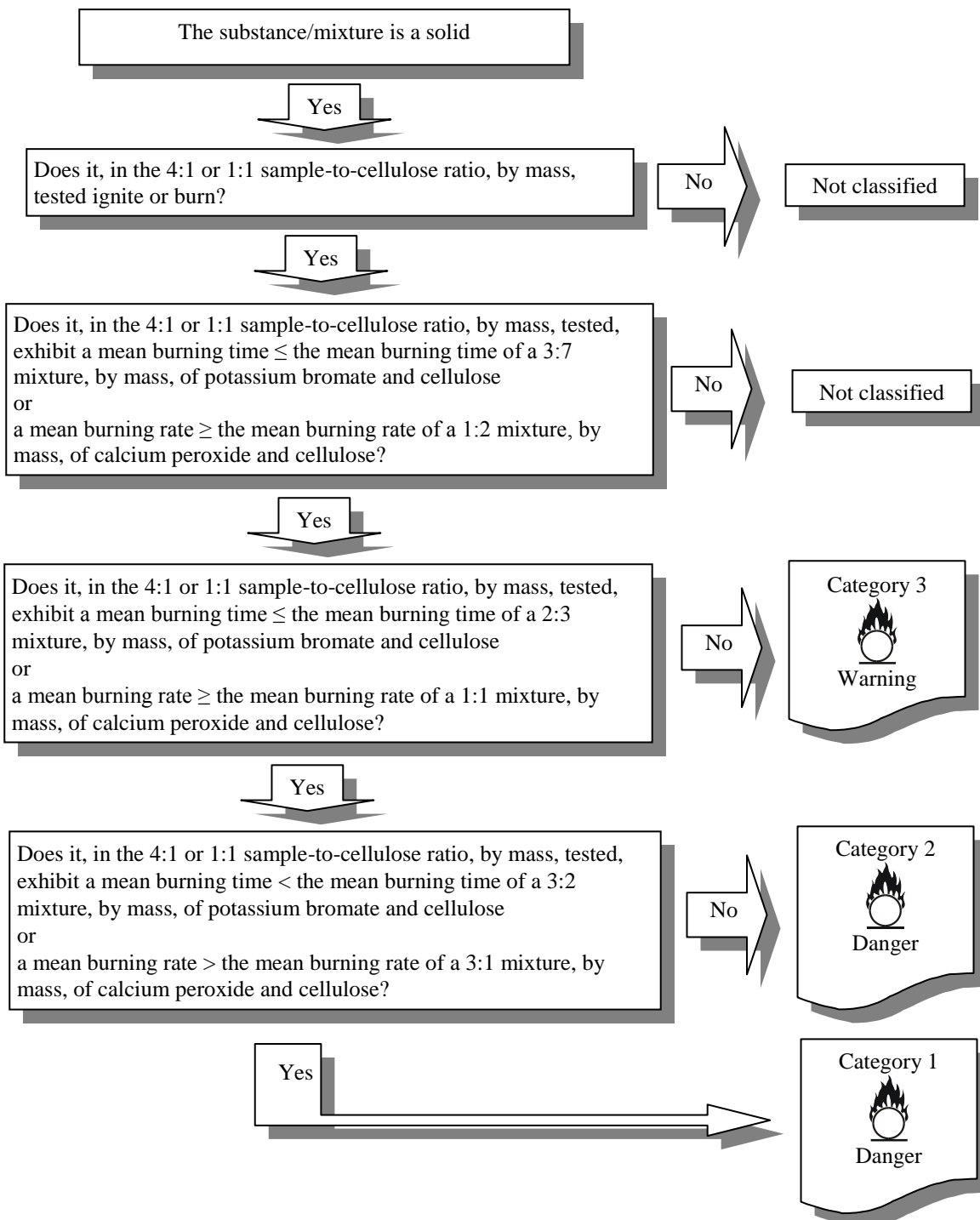
12. Replace the decision logic 2.14.41 for oxidizing solids in the GHS as follows:

**“2.14.4.1 Decision logic**

To classify an oxidizing solid, test method O.1 as described in Part III, sub-section 34.4.1 or test method O.3 as described in Part III, sub-section 34.4.3 of the *UN Recommendations on the Transport of Dangerous Goods, Manual of Tests and Criteria* should be performed. Classification is according to decision logic 2.14.

<sup>4</sup> Code of Safe Practice for Solid Bulk Cargoes, IMO, 2005.

*Decision logic 2.14 for oxidizing solids*



**Manual of Tests and Criteria**

13. Replace in CONTENTS OF PART III of the Manual of Tests and Criteria, the structure of Section 34, as follows:

34. CLASSIFICATION PROCEDURES, TEST METHODS AND CRITERIA  
RELATING TO OXIDIZING SUBSTANCES OF DIVISION 5.1

34.1 PURPOSE

34.2 SCOPE

34.3 CLASSIFICATION PROCEDURE

34.4 TEST METHODS FOR OXIDIZING SUBSTANCES

34.4.1 Test O.1 Test for oxidizing solids (UN)

34.4.2 Test O.2 Test for oxidizing liquid (UN)

34.4.3 Test O.3 Alternative test for oxidizing solids (UN)

14. Insert test O.3 as 34.4.3 in the Manual of Tests and Criteria as above described.

---