

Committee of Experts on the Transport of Dangerous Goods and on the Globally Harmonized System of Classification and Labelling of Chemicals

Sub-Committee of Experts on the Transport of Dangerous Goods

20 June 2012

Forty-first session

Geneva, 25 June – 4 July 2012

Item 2 (d) of the provisional agenda

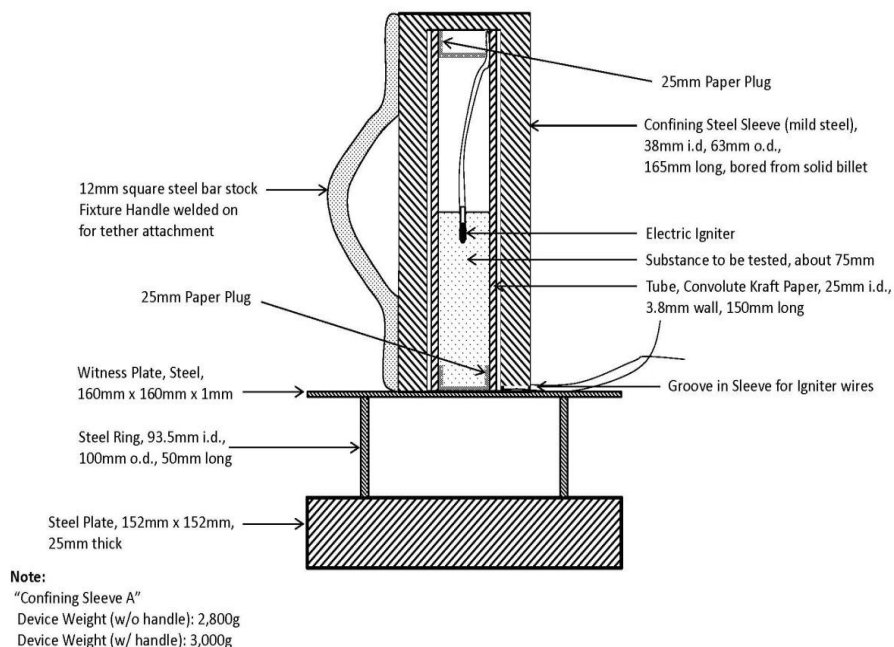
Explosives and related matters: DDT Test and Criteria for flash composition

Editorial Corrections to paper ST/SG/AC.10/C.3/2012/30

Transmitted by the expert from the United States of America

Introduction

1. This paper makes two editorial amendments to ST/SG/AC.10/C3/2012/30 as follows:
2. Replace Figure 1 “Standard DDT test fixture” and Figure “YY” with the drawing below correcting the outer dimension of the steel sleeve:



3. Proposal 1 under Annex II is revised to read:

Proposal 1: Revise Note 2 of 2.1.3.5.5 of the Recommendations on the Transport of Dangerous Goods Model Regulations (UN Model Regulations Default Fireworks Classification Table) to read as follows:

NOTE 2: “Flash Composition” in this table refers to any pyrotechnic substances in powder form or as pyrotechnic units as presented in fireworks that are used to produce an aural effect, or used as a bursting charge or lifting charge, unless the time taken for the pressure rise is demonstrated to be more than 8 ms for 0.5 g of pyrotechnic substance in the HSL Flash Composition Test in Appendix 7 of the Manual of Tests and Criteria, or if at least two positive (+) results are achieved in up to ten (10) trials for 25 g of pyrotechnic substance in the DDT Flash Composition Test in Annex XX of the Manual of Tests and Criteria.
