

Sizing requirements

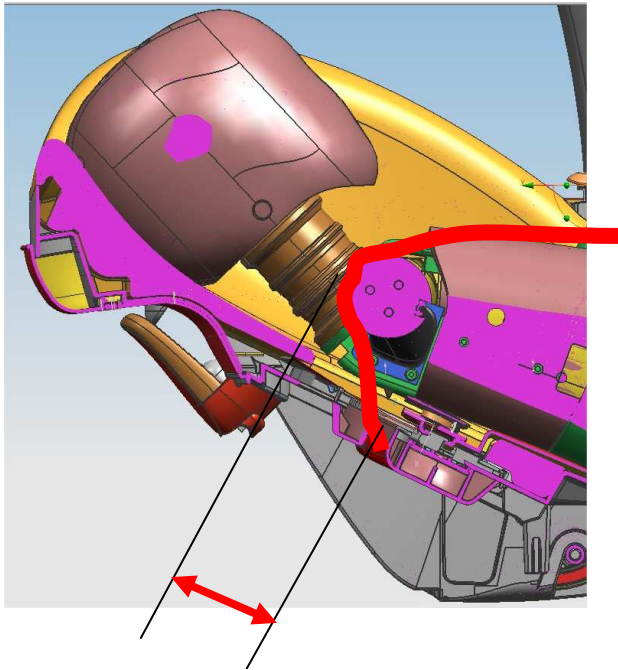
Part 1. Are RF products treated unfair?

Erik Salters

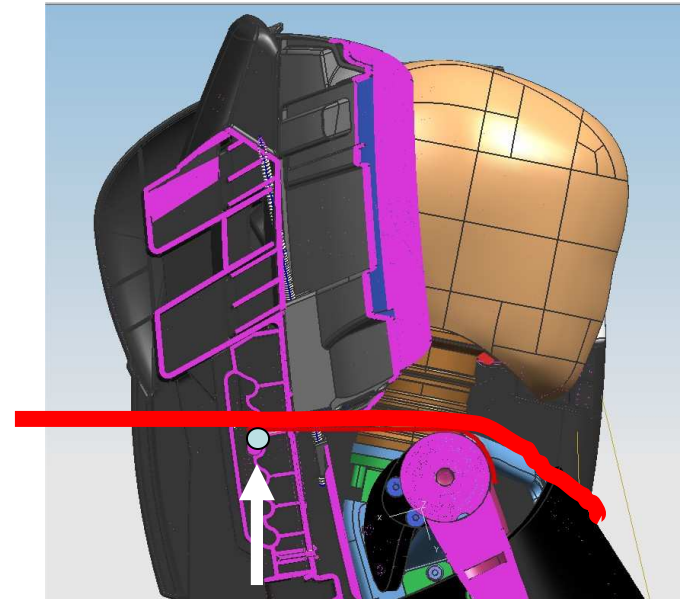
Francois Renaudin

FF and RF Shoulder height

- FF and RF products are measured equally, but the belt routing is different



RF product. Current, common designs allows belt slots below shoulder height of child.



FF products. Common design DO NOT allow belt slots below shoulder height of child



FF and RF Shoulder height

- The measured shoulder belt slot height is less than the shoulder height of the largest child still seated OK in this seat.
- Conclusion: Measurement of the upper shoulder belt slot is not enough to determine the upper size limit of a RF product.

Proposed solution

- Option 1. Add [X] cm to the measurement of the upper belt slot in case of RF product as upper size limit. Lower size limit does not need to be modified.
- Option 2. delete requirement “E”; “shoulder height” for RF products.
- Option 3. other ideas?