

CRS-13-04

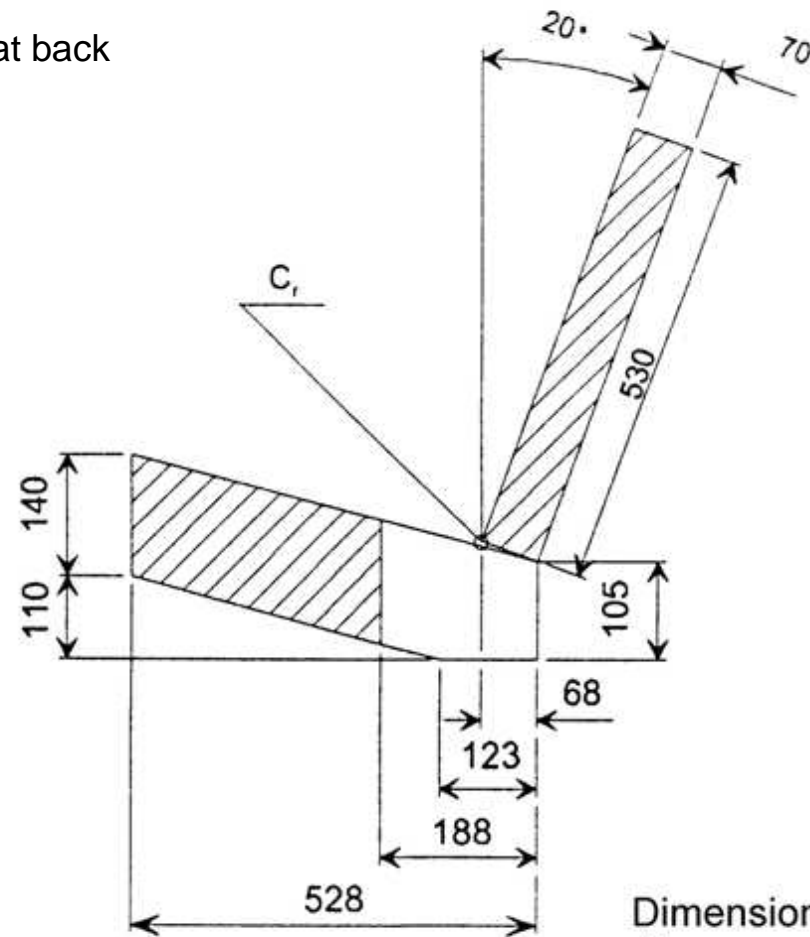
**Audi**  
Vorsprung durch Technik



## **Real Vehicle Seats vs. CRS** Compatibility and Child Safety

# Today's ECE-R44 Bench

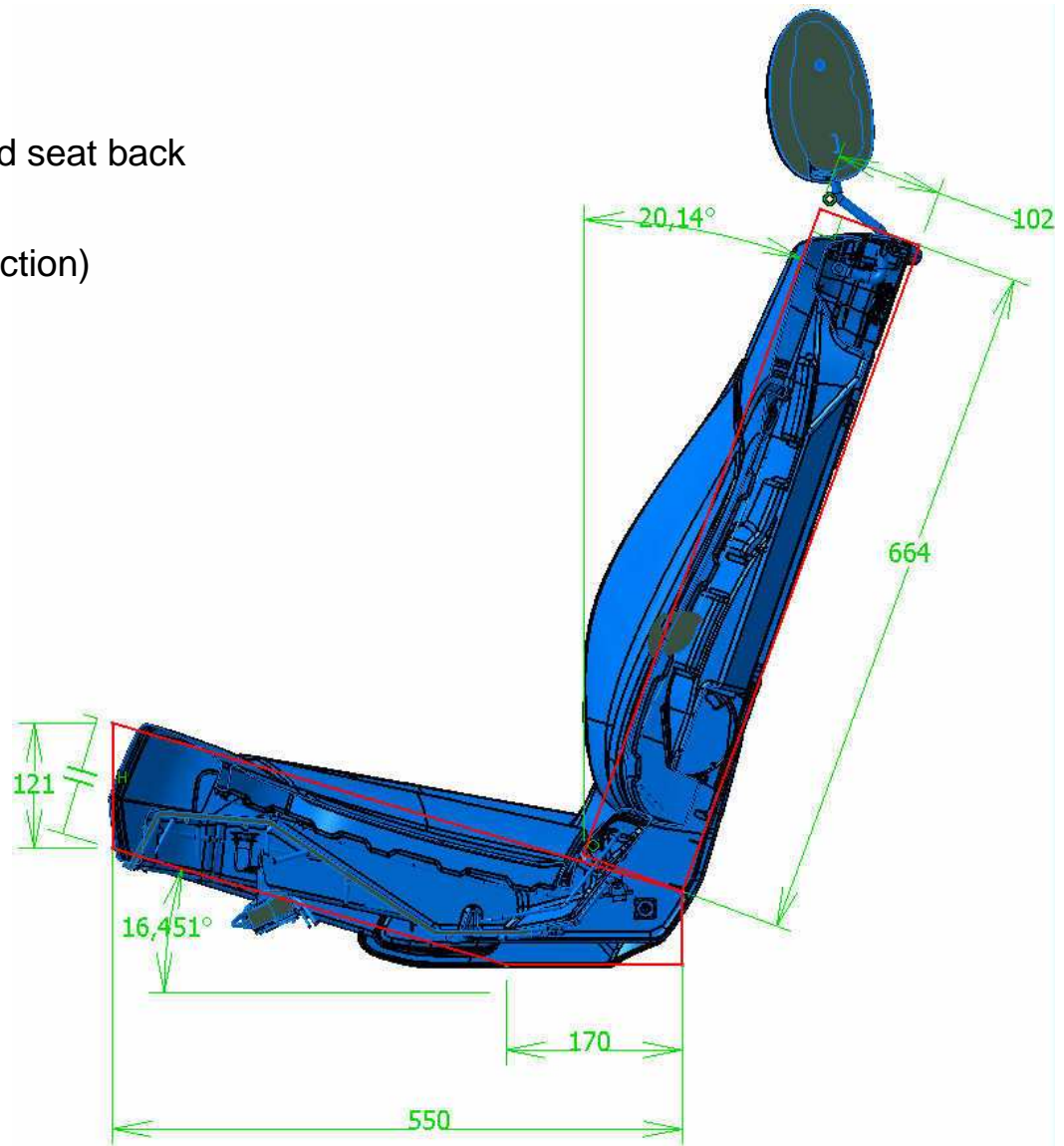
- ▶ Same stiffness at seat cushion and seat back
- ▶ flat shape
- ▶ Low back rest
- ▶ No head restraint



Dimensions in mm  
Abmessungen in mm

# Today's Vehicle Seat

- ▶ Different stiffness at seat cushion and seat back cushion
- ▶ Very contoured shape (Y- and Z-direction)
- ▶ High backrest
- ▶ Head restraint



# Requirements for new ECE-R44 bench

- ▶ To avoid incompatibility between vehicle seats and CRS in future
  - ▶ different stiffness at seat cushion and seat back cushion
  - ▶ flat shape
  - ▶ Head restraint

