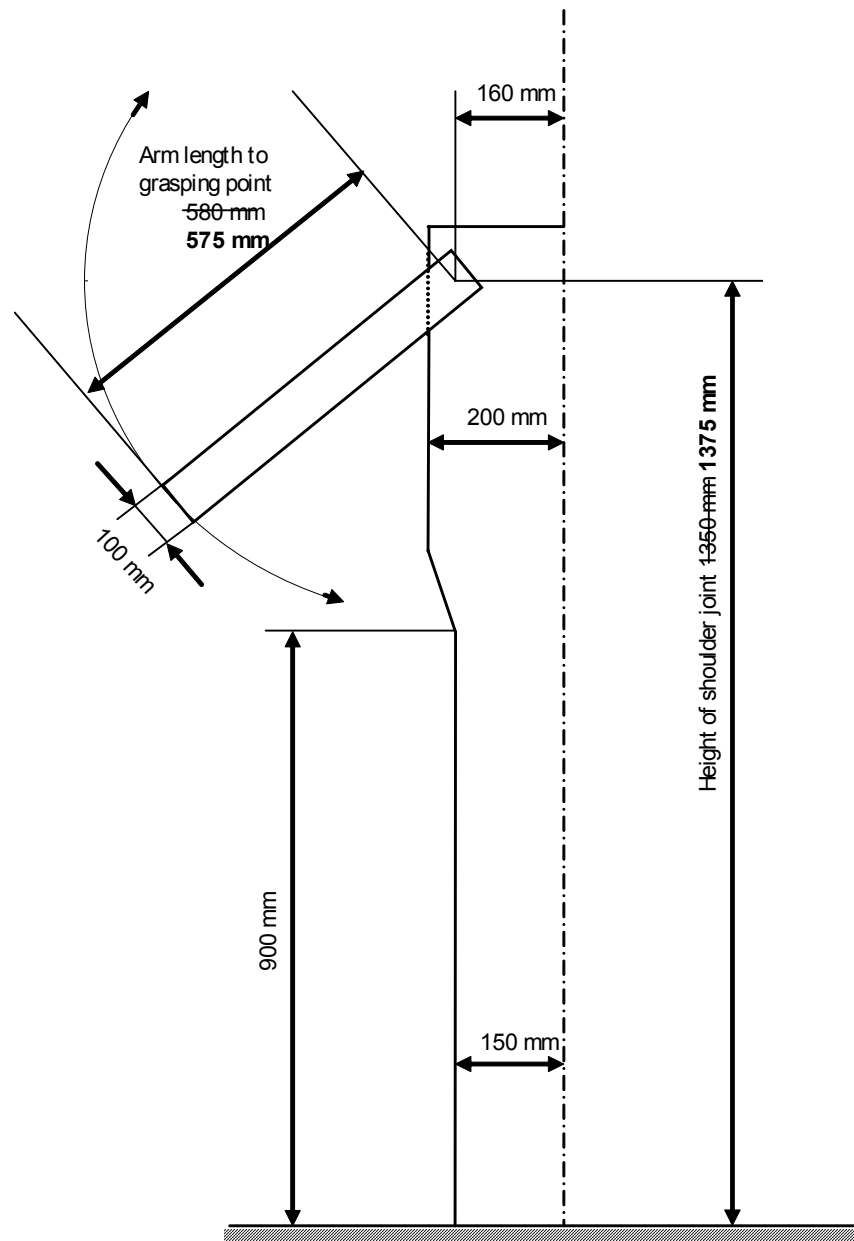


**Proposal for draft amendments to document TRANS/WP.29/GRSG/2005/8
(Regulation No. 107)**

A. PROPOSAL

Figure 20, amend to read:

"Figure 20
TESTING DEVICE FOR SITING OF HANDHOLDS
(see Annex 3, paragraph 7.11.2.1.)



Thickness: 20 mm."

B. JUSTIFICATION

As requested under item 16 of the report on the eighty-eight session the drawing was changed to match the agreed amendment contained in TRANS/WP.29/GRSG/2005/8.
