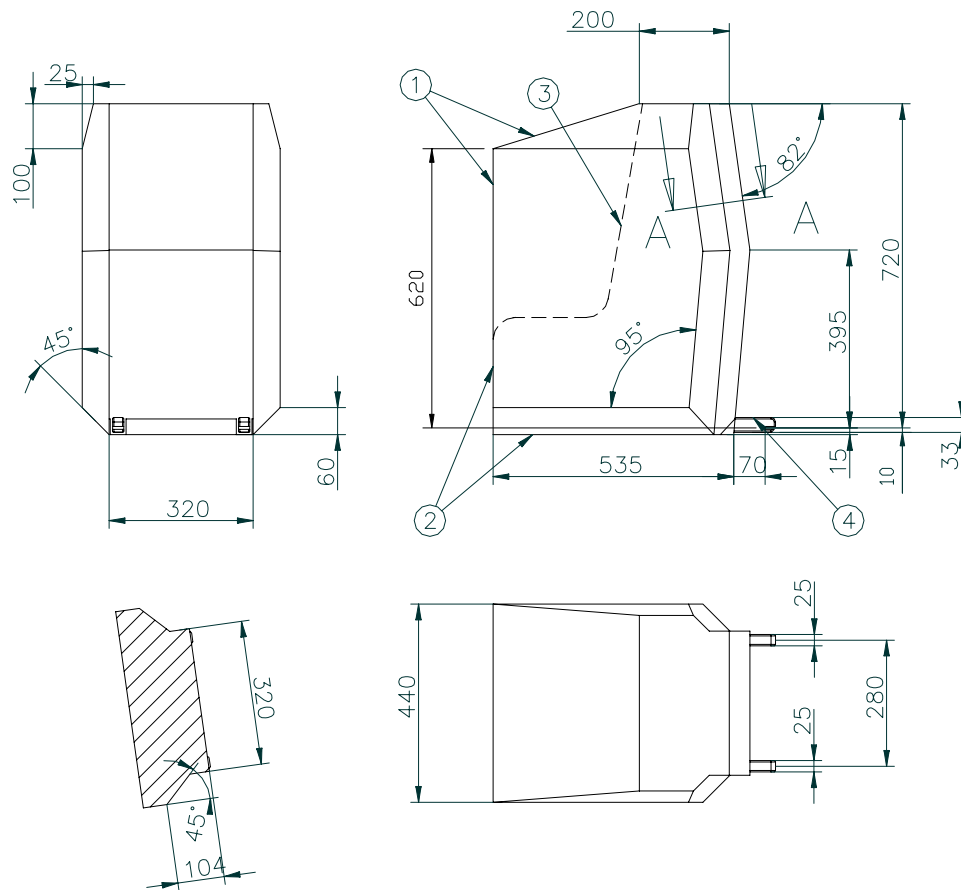


CORRECTION OF FIGURES OF REGULATION No. 16

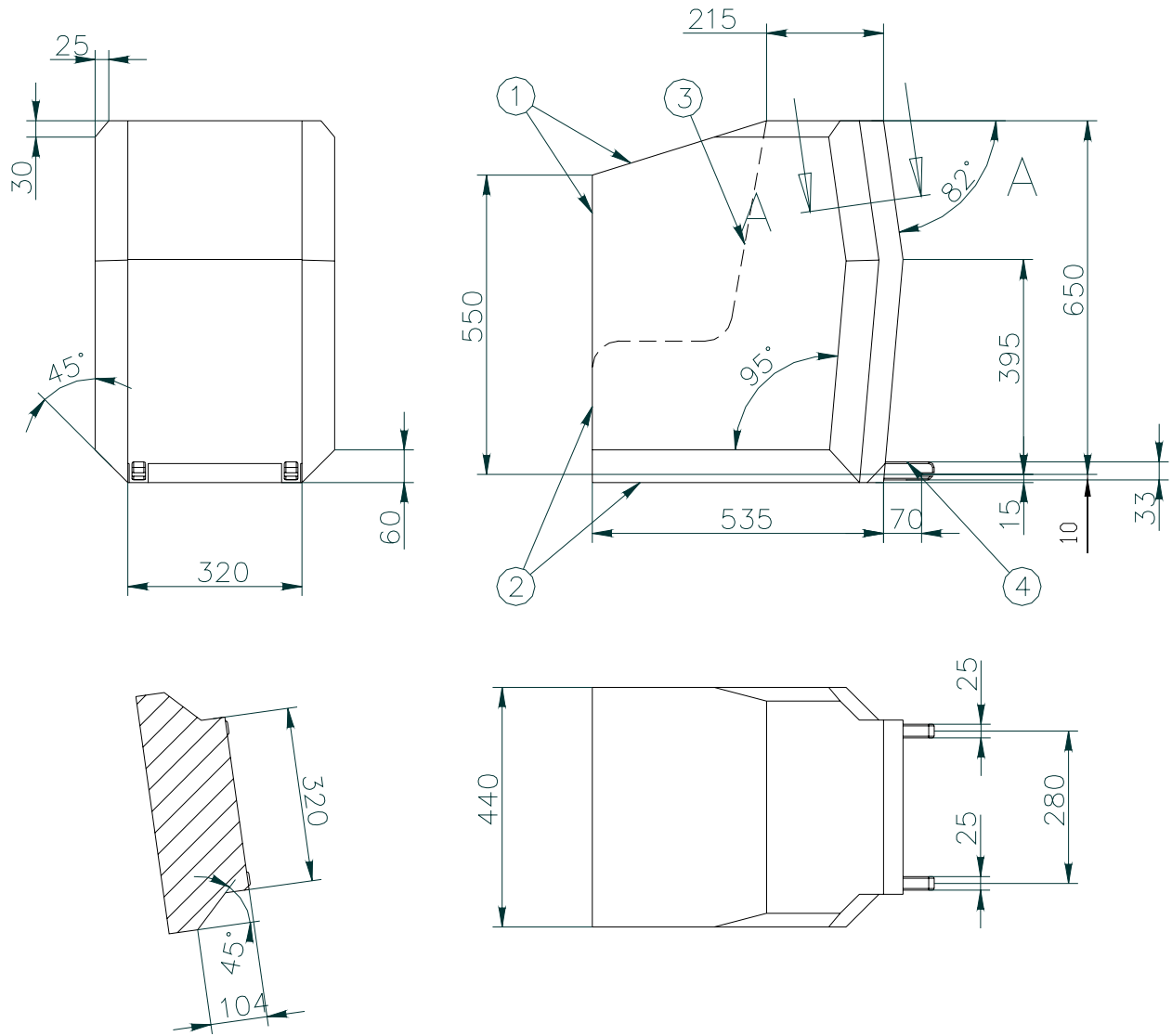
Transmitted by the secretariat

This document contains corrected figures for document TRANS/WP.29/963 based on document TRANS/WP.29/2003/78, adopted by WP.29 at its one-hundred-and-thirty-first session (TRANS/WP.29/953, para. 104). The corrected figures have been provided to the secretariat by CLEPA and are transmitted to GRSP for information.

4.1 Full-height forward-facing



4.2 Reduced-height forward-facing



4.3 Reduced-height second version

