



Informal document No. 23
(85th GRSG, 21-24 October 2003
agenda item 3)

OICA PROPOSAL FOR DRAFT AMENDMENTS TO DOCUMENT
TRANS/WP.29/GRSG/2003/20
UN/ECE R107.01 (DUBBLE DECK BUSES)

A. Proposal

Para. 7.7.8.5.1 of Annex 3, amend to read:

"7.7.8.5.1 For a seat behind a partition or other rigid structure other than a seat, a minimum clear space in front of each passenger seat shall be provided as shown in Annex 3, figure 13a. **Alternatively A** partition whose contour corresponds approximately to that of the inclined seat back may intrude into this space as provided by paragraph 7.7.8.4. **In the case of seats alongside the driver's seat in vehicles with up to 22 passengers, intrusion of the dashboard, instrument panel, windscreen, sun visor, seat belts and seat belt anchorages shall be allowed.**"

New inserted para. 7.7.8.5.2., amend to read:

"7.7.8.5.2. For a seat behind a seat and/or a seat facing the gangway, a minimum clear foot space of at least 300 mm depth and a width **equal to that specified for a seat cushion in paragraph 7.7.8.1.1., reduced where appropriate by paragraph 7.7.8.6,** shall be provided **as shown in Annex 3, figure 13b.** The local presence in this space of seat legs shall be permitted provided that adequate space remains for the passengers' feet. This foot space may partly be situated in and/or above the gangway but shall not create any obstruction when measuring the gangway-width in accordance with paragraph 7.7.5. **In the case of seats alongside the driver's seat in vehicles with up to 22 passengers, intrusion of the seat belts and seat belt anchorages shall be allowed. "**

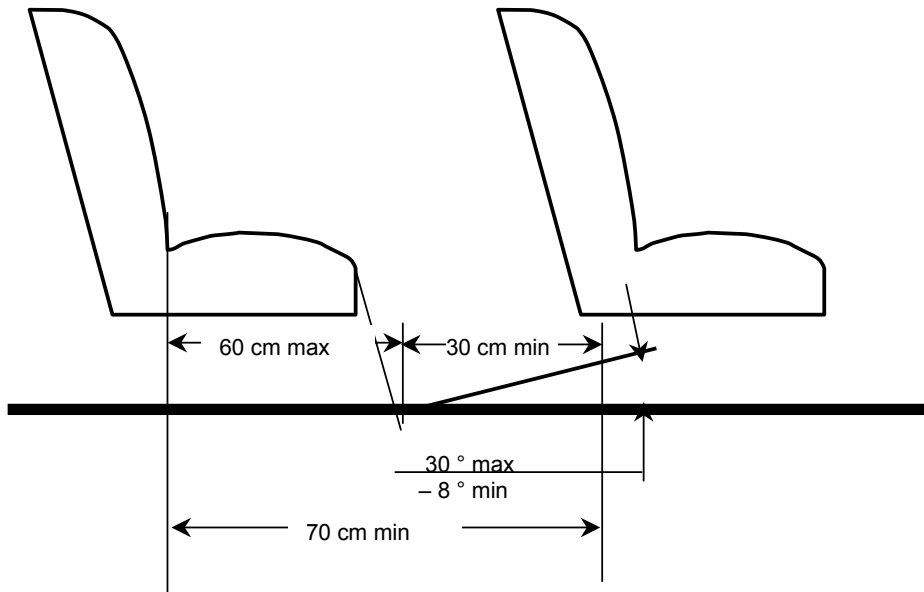
Renumber existing paragraphs 7.7.8.5.2 and 7.7.8.5.2.1 to 7.7.8.5.3.and 7.7.8.5.3.1.

Annex 4, figure 13, amend to read:

"Figure 13a
Space for seated passengers behind a partition
or other rigid structure other than a seat
(see paragraph 7.7.8.5.1) "

Insert a new drawing:

**"Figure 13b
Space for seated passengers behind a seat
and or/ a seat facing the gangway
(see paragraph 7.7.8.5.2) "**



B. Justification:

The intention of the proposal is:

1. to clarify the interpretation of paragraph 7.7.8.5.1. and Annex 4 figure 13, which was intended not to impose any additional requirements on seat spacing but instead to determine the clear space between a passenger seat and a partition or other rigid structure other than a seat, and
2. to clarify that the foot space in front of each passenger seat may be so located such that parts of the foot space "intrude" into the gangway, either on the floor or above it. In any case, while measuring the gangway width with the respective testing gauge, the foot space shall not obstruct movement of the gauge.