



**OICA PROPOSAL FOR A DRAFT ADDENDUM TO THE PROPOSAL
FOR DRAFT 01 SERIES OF AMENDMENTS TO REGULATION No. 107**
(M2 and M3 vehicles) **Document TRANS/WP29/GRSG/2003/5**

Since GRSG/2003/5 was prepared, the European Commission has published Directive 2003/19/EC containing amendments to Directive 97/27/EC.

Whilst most of the content of this amendment was foreseen and incorporated at the time of preparation of the document, the following amendment was not available in its final form and should be incorporated in order to ensure full alignment with the Directive:

(Note: Article 4 of 2003/19/EC states that “The United Kingdom and Portugal may, within their territory until 9 March 2005, refuse to grant national type-approval of a vehicle type, or refuse or prohibit the sale, registration, entry into service or use of a vehicle, or consider its certificate of conformity as not valid within the meaning of Article 7(1) of Directive 70/156/EEC if the vehicle does not comply with the manoeuvrability criteria specified in Article 8(a) of Directive 96/53/EC.”

The authors of this proposal have taken note of this article but have not considered it necessary to make any provision in this context as the derogation in question will have expired before the proposed amendments to Regulation No.107 come into force.)

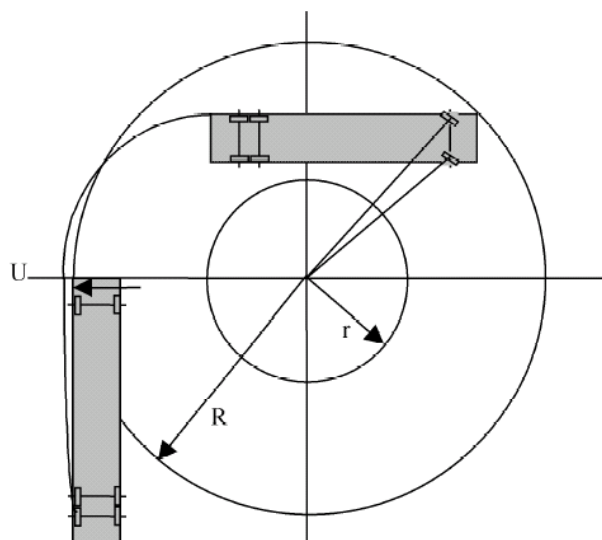
Amend paragraph 7.6.3 to read:

7.6.3. Additional requirements for vehicles of categories M2 or M3

With the vehicle stationary, a vertical plane tangential to the side of the vehicle and facing outwards from the circle shall be established by marking a line on the ground. In the case of an articulated vehicle, the two rigid portions shall be aligned with the plane. When the vehicle moves from a straight line approach into the circular area described in section 7.6.1, no part of it shall move outside of that vertical plane by more than 0,60 m (see figures B and C).

Replace figure B by the following:

Figure B

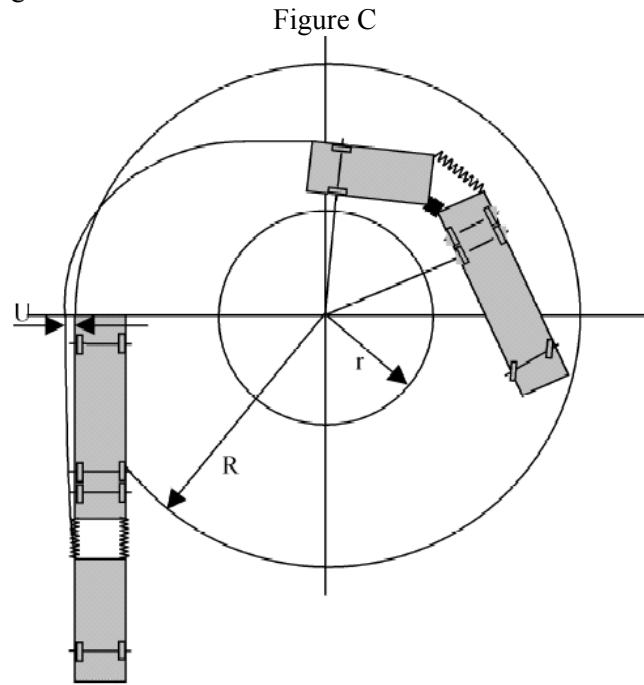


R = 12.5 m

r = 5.3 m

U = maximum 0.6m

Replace figure C by the following:



$R = 12.5$ m

$r = 5.3$ m

$U =$ maximum 0.6m

CORRELATION TABLE

Annex 11, Para. 2.13, amend note to “K”.

Annex 11, Para. 7.6.3, add note “K”.

Note K, read:

K As amended by 2003/19/EC.