

# UNECE's Efforts to Harmonize Fossil Energy and Mineral Resources Terminology?

Clark Talkington  
UNECE Secretariat

1

## What is the UNFC?

- UN Framework Classification for Fossil Energy and Mineral Resources.
- Incorporates principal criteria recurring in classifications: economic viability (E), technical feasibility/project maturity (F) and knowledge of the geological endowment (G).
- An “umbrella” framework to harmonize existing terminologies and definitions worldwide
- Simple, universally applicable scheme for classifying and evaluating energy and mineral reserves and resources.
- Allows a common and necessary international understanding.
- A flexible system for application at global, national, industrial, institutional or financial level.

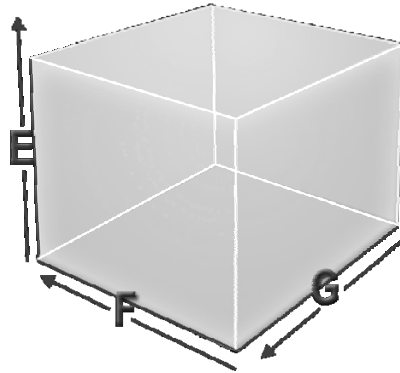
2

# UNFC – Three Dimensional System

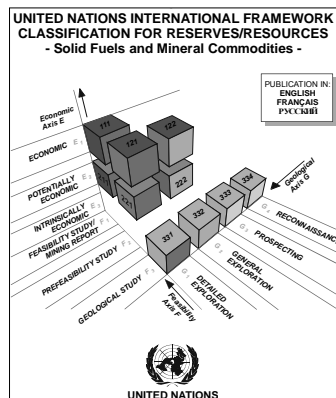
**E Economic and commercial viability**

**F Field project status and feasibility**

**G Geological knowledge**



# History of UNFC



**1992** - Initiated by Member States for coal reserves/resources

**1997** - UN ECOSOC resolution encouraging use for all solid minerals

- Successfully applied or tested in more than 60 countries

**2004** - UN ECOSOC resolution 233/2004 recommending worldwide application for petroleum and solid minerals

## Ad Hoc Group of Experts

- Transparent and voluntary process.
- Ongoing, open dialogue among all stakeholders.
  - ECE member governments
  - Other UN member governments
  - International and intergovernmental organizations, incl. IAEA, IEA, IEF, OPEC, WEC and WPC.
  - Professional associations and NGOs incl. AAPG, CRIRSCO, EFG, IASB, IOSCO, IVSC and SPE; and
  - Business/private sector including international and national petroleum and mining companies
- Annual sessions: 2004 - 2006
- Committee on Sustainable Energy to consider the Terms of Reference for the Group of Experts at 15th Session (ECE/ENERGY/2006/12, Annex IV)

5

## Key Objectives of the AHGE

- Maintain UNFC - ensure it is based upon cooperation with recognized industry professional societies
- Facilitate development of Specifications and Guidelines, through cooperation with SPE and CRIRSCO.
- Encourage an education programme.
- Facilitate (petroleum) case studies on voluntary basis.
- Seek to strengthen inter-agency cooperation and to cooperate and collaborate with all stakeholders.
- Explore opportunities within the UN system to secure the required permanence and reliability, e.g. UN Centre for Energy and Mineral Resources in lieu of an Ad Hoc Group.

6