

Informal document submitted by the Task Force on Substitutes / Retrofits (TF S/R) to support formal proposal ECE/TRANS/WP.29/GRE/2024/2

The proposed changes are visualised in **yellow highlights.**

The drawings are intended only to illustrate the essential dimensions (in mm) of the LED light source.

Figure 1
Main drawings

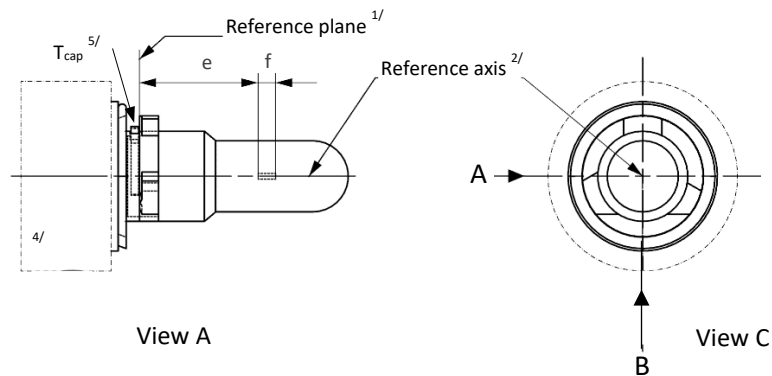
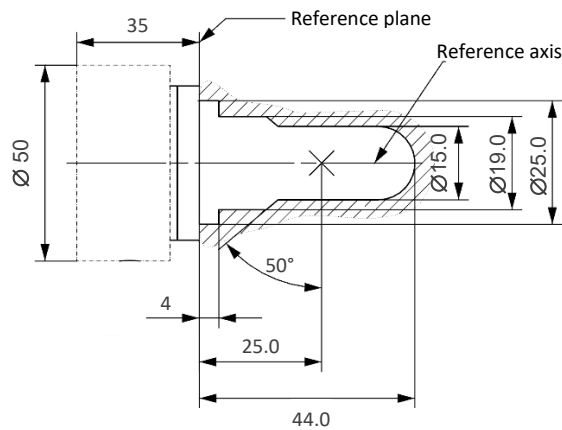


Figure 2
Maximum LED light source outline^{3/}



- ^{1/} The reference plane is the plane formed by the underside of the bevelled lead-in flange of the cap.
- ^{2/} The reference axis is perpendicular to the reference plane and passing through the centre of the 19 mm cap diameter.
- ^{3/} The LED light source shall not exceed the envelope as indicated in Figure 2.
- ^{4/} The light source shall function in either voltage polarity.
- ^{5/} Measurement point for cap temperature T_{cap}

Table 1
Essential electrical and photometric characteristics of the LED light source

<i>Dimensions in mm</i>		<i>LED light sources of normal production</i>		
e ^{2/}		25.0 nom.		
f ^{2/}		4.5 nom.		
Contrast ^{6/}		100 min.		
Elevated ambient air temperature ^{3/}		60°C		
Cap H11 PGJ19-2 ^{9/}		in accordance with IEC Publication 60061 (sheet 7004-110-3)		
<i>Electrical and photometric characteristics</i>		^{4/}	^{5/}	
Rated values	Volts	12	24	
	Watts	27 ^{11/}	27 ^{11/}	
Test voltage (DC)	Volts (DC)	13.2	28.0	
Objective values	Power ^{8/}	Watts	27 min. ^{10/} 62 max. ^{11/}	27 min. ^{10/} 62 max. ^{11/}
	Cap temperature T _{cap}	°C	120 max. ^{10/}	120 max. ^{10/}
	Electrical current ^{8/}	mA	2000 min. ^{10/} (at 12-14 V DC)	1000 min. ^{10/} (at 24-28 V DC)
	Luminous flux ^{1/} ^{3/}	lm	1,350 ± 10%	
	Luminous flux deviation ^{7/} (voltage range limits)	lm	±10% (at 12V) ±10% (at 14V)	±10% (at 24V) ±10% (at 28V)

^{1/} The light emitted shall be white without a correlated colour temperature restriction.

^{2/} To be checked by means of a "box system", sheet H11 LEDr/3

^{3/} The luminous flux measured at the elevated ambient air temperature shall be at least 75% of the objective luminous flux (both measured at test voltage)

^{4/} In case of a failure of any of the light emitting elements (open circuit failure), the LED light source shall either still comply to the requirements concerning luminous flux and luminous intensity distribution or stop emitting light whereby, in the latter case, the electrical current draw, when operated between 12 V and 14 V, shall be less than 100 mA

^{5/} In case of a failure of any of the light emitting elements (open circuit failure), the LED light source shall either still comply to the requirements concerning luminous flux and luminous intensity distribution or stop emitting light whereby, in the latter case, the electrical current draw, when operated between 24 V and 28 V, shall be less than 50 mA

^{6/} The contrast is the proportion of luminous flux originating from two different areas, see details in sheet H11 LEDr/3

^{7/} The maximum luminous flux deviation at the tolerance limits is calculated by using the measured flux at test voltage as reference. The luminous flux behaviour shall be substantially uniform within the specified voltage range.

^{8/} Including AE device, if any

^{9/} The maximum specifications of parameters G and K are excluded, but the maximum outline dimensions in Figure 2 apply

^{10/} Not applicable for high-efficiency type (if no AE device is specified)

^{11/} For high-efficiency type 18W rated value and 21W max. objective value applies

Alternative configurations

Two alternative configurations are allowed and the technical description given by the manufacturer contains the information which of them applies. The differences between both configurations affect only the “Screen projection requirements” and “Normalized luminous intensity distribution”. For reference purposes in the relevant paragraphs, the alternatives are called Configuration-1 (based on full photometric light source equivalence) and Configuration-2 (based on bi-directional light source design).

Screen projection requirements

The following test is intended to define the requirements for the apparent light emitting area of the LED light source and to determine whether the light emitting area is correctly positioned relative to the reference axis and reference plane in order to check compliance with the requirements.

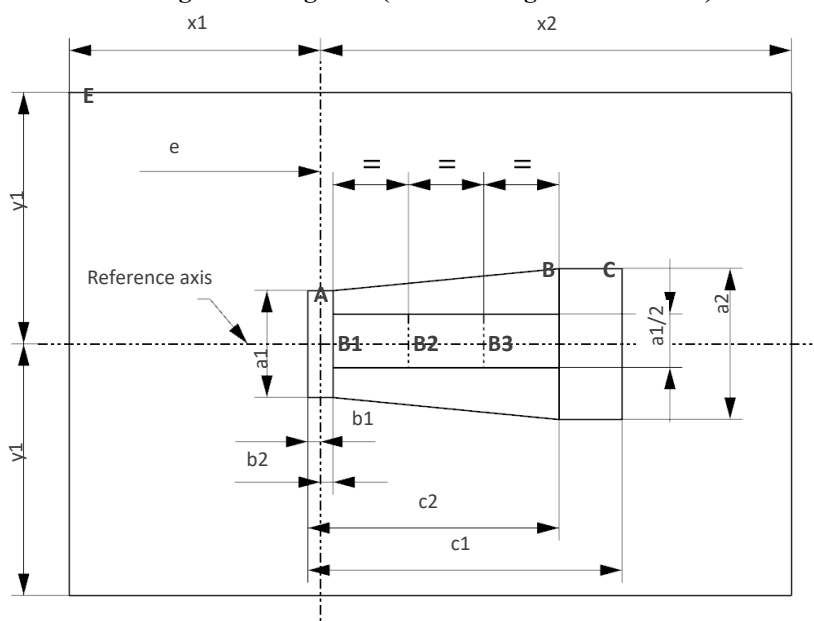
In case of Configuration-1 the position of the light emitting area is checked by a box system defined in Figure 4 when operated at test voltage, which shows the projections when viewing from B (see sheet H11 LED/1, Figure 1) and from A and -A (see sheet H11 LED/1, Figure 1), i.e. along the C-planes C₀, C₉₀ and C₂₇₀ (as defined in Figure 6).

In case of Configuration-2 the position of the light emitting area is checked by a box system defined in Figure 4 when operated at test voltage, which shows the projections when viewing from A and -A (see sheet H11 LED/1, Figure 1), i.e. along the C-planes C₉₀ and C₂₇₀ (as defined in Figure 6). The distance z between the surfaces of the opposite light emitting areas shall not exceed 2.9 mm.

In both configurations, the proportion of the total luminous flux emitted into these viewing directions from the area(s) as defined in Figure 4:

- Total box area: $(A+B+C) / E$ shall be not less than 90%
- Area A: $A / (A+B+C)$ shall be not more than 10%
- Areas B₁, B₂ and B₃: B_1/B , B_2/B , B_3/B shall each be not less than 15%
- Area B: $B / (A+B+C)$ shall be not less than 72 %
- Area C: $C / (A+B+C)$ shall be not more than 22%

Figure 4
Box definition of the light emitting area (dimensions given in Table 2)



In both configurations, the contrast is checked by a box system defined in Figure 5 when operated at test voltage, which shows the projections when viewing from A and -A (see sheet H11 LED/1, Figure 1), i.e. along the C-planes C₉₀ and C₂₇₀ (as defined in Figure 6).

The contrast is the proportion of the total luminous flux values emitted into these viewing directions from the corresponding areas (A+B+C) and D. The value of the contrast $(A+B+C) / D$ shall be within the limits given in Table 1 (see Figure 5 for the definition of the area D).

Figure 5

Box definition of the area D (dimensions given in Table 2)

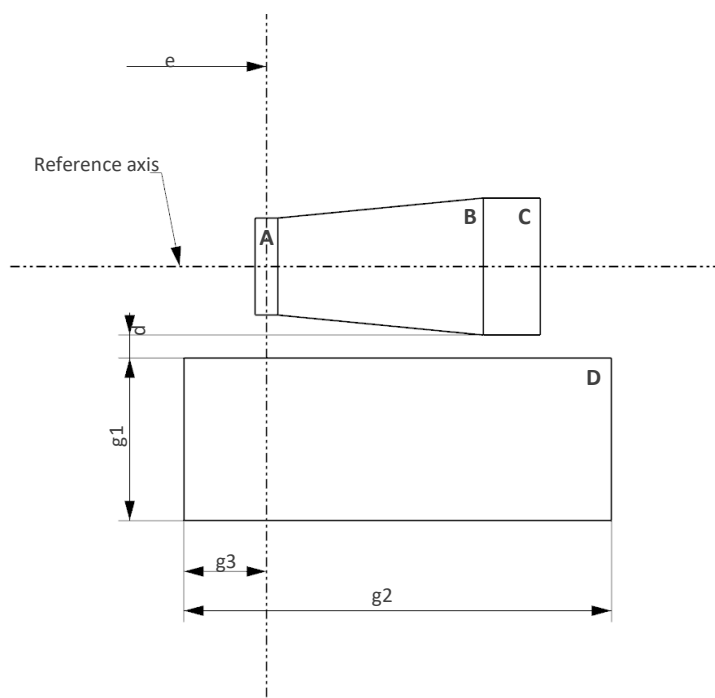


Table 2

Dimensions of the box definitions in Figure 4 and Figure 5

<i>All views (as specified above)</i>	<i>Dimensions in mm</i>	<i>All views (as specified above)</i>	<i>Dimensions in mm</i>
a1	1.7	x1	25
a2	1.9	x2	19
b1	0.2	y1	12.5
b2	0.2	g1	2.85
c1	5.0	g2	7.5
c2	4.0	g3	1.45
d	0.4		

Normalized luminous intensity distribution

The following test is intended to determine the normalized luminous intensity distribution of the light source in the C-planes as described in Figure 6 when operated at test voltage. The intersection of the reference axis and the plane parallel to the reference plane at distance $e = 25.0$ mm is used as the coordinate system origin.

The light source is mounted on a flat plate with the corresponding holder features. The plate is fixed to the goniometer table by a bracket, so that the reference axis of the light source lines up with one of the rotating axis of the goniometer. The corresponding measurement set-up is described in Figure 6.

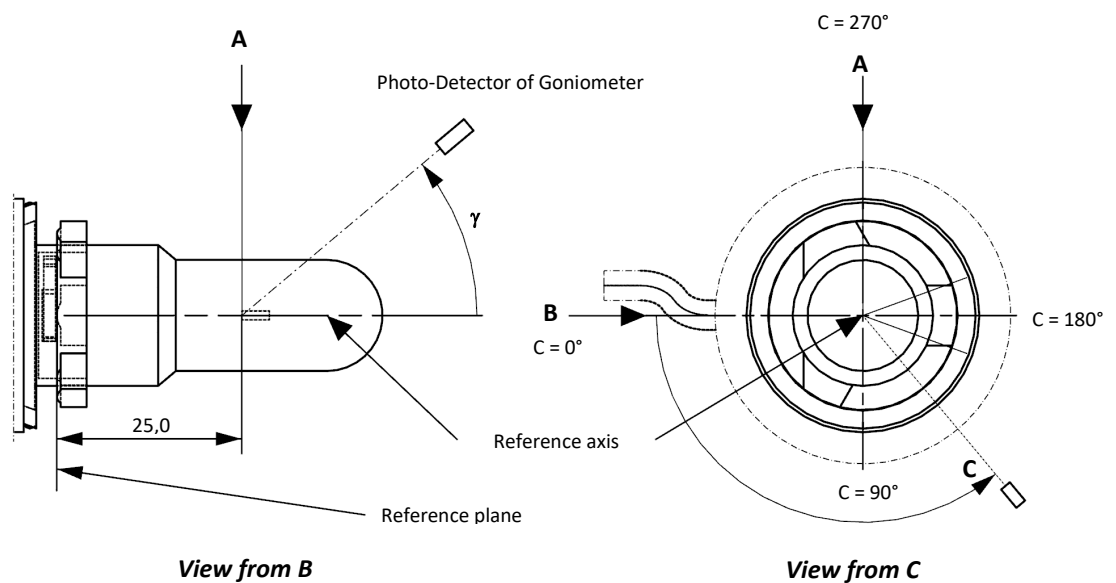
Luminous intensity data is recorded with a standard photo-goniometer. The measurement distance should be chosen appropriately in order to make sure that the detector is located in the far field of the light distribution.

The measurements shall be performed in C-planes for which the line of intersection coincides with the reference axis of the light source. The test points for each plane and polar angles γ are specified in Table 3.

The measured luminous intensity values, normalised to the measured luminous flux of the individual light source under test, shall be converted to normalised luminous intensity values of a 1000 lm light source. These data shall comply with the limits as defined in Table 3.

Figure 6

Setup to measure the luminous intensity distribution and the definition of C-Planes and angle γ



C-planes: see CIE publication 70-1987, "The measurement of absolute intensity distributions".

Table 3 – Part 1

Test point values of normalized intensity (Black top area)

<i>LED light source of normal production</i>		
	<i>Minimum intensity (cd/klm)</i>	<i>Maximum intensity (cd/klm)</i>
γ	C ₀ , C ₉₀ , C ₁₈₀ , C ₂₇₀	C ₀ , C ₉₀ , C ₁₈₀ , C ₂₇₀
0°	n/a	10
10°	n/a	10
20°	n/a	10
30°	n/a	10

The light pattern as described in Table 3 – part 1 shall be substantially uniform, i.e. in between two adjacent grid points the relative luminous intensity requirement is calculated by linear interpolation using the two adjacent grid points. In case of doubt this may be checked in addition to verification of the grid points given in Table 3 – part 1.

Note: The angular range in Table 3 – Part 1 is equivalent to the black top of its counterpart H11 filament light source specified by γ_3 in sheet H11/3.

Table 3 – Part 2

Test point values of normalized intensity (Distortion free area)

<i>LED light source of normal production</i>				
	<i>Minimum intensity (cd/klm)</i>		<i>Maximum intensity (cd/klm)</i>	
	Configuration-1	Configuration-2	Configuration-1	Configuration-2
γ	C ₀ , C ₉₀ , C ₂₇₀	C ₉₀ , C ₂₇₀	C ₀ , C ₉₀ , C ₂₇₀	C ₉₀ , C ₂₇₀
50°	80	100	130	160
60°	80	115	130	175
70°	80	125	130	185
80°	80	130	130	190
90°	80	130	130	190
100°	80	130	130	190
110°	80	125	130	185
120°	80	115	130	175
130°	80	100	130	160
140°	80	80	130	145

The light pattern as described in Table 3 – part 2 (excluding the section between C₉₀ and C₂₇₀ and for Configuration-2 additionally excluding the section between C₂₇₀ and C₉₀) shall be substantially uniform, i.e. in between two adjacent grid points the relative luminous intensity requirement is calculated by linear interpolation using the two adjacent grid points. In case of doubt this may be checked in addition to verification of the grid points given in Table 3 – part 2.

Note: The angular range in Table 3 – Part 2 is equivalent to the distortion free area of its counterpart H11 filament light source specified by γ_2 and γ_1 in sheet H11/3.

Table 3 – Part 3
Test point values of normalized intensity (Shading area of the lead-in wire of the counterpart filament light source)

	<i>LED light source of normal production</i>			
	<i>Minimum intensity (cd/klm)</i>		<i>Maximum intensity (cd/klm)</i>	
	$\gamma = 90^\circ$		$\gamma = 90^\circ$	
C-plane	Configuration-1	Configuration-2	Configuration-1	Configuration-2
C ₀	80	n.a.	130	n.a.
C ₃₀	80	50	130	130
C ₆₀	80	110	130	175
C ₉₀	80	130	130	190
C ₁₂₀	80	110	130	175
C ₁₅₀	80	50	130	130
C ₁₈₀	n/a	n.a.	n/a	n.a.
C ₂₁₀	80	50	130	130
C ₂₄₀	80	110	130	175
C ₂₇₀	80	130	130	190
C ₃₀₀	80	110	130	175
C ₃₃₀	80	50	130	130
C ₃₆₀ (= C ₀)	80	n.a.	130	n.a.

The light pattern as described in Table 3 – part 3 (excluding the section between C₁₅₀ and C₂₁₀ and for Configuration-2 additionally excluding the section between C₃₃₀ and C₃₀) shall be substantially uniform, i.e. in between two adjacent grid points the relative luminous intensity requirement is calculated by linear interpolation using the two adjacent grid points. In case of doubt this may be checked in addition to verification of the grid points given in Table 3 – part 3.

Note: Due to the shading area created by the lead-in wire of its counterpart H11 filament light source (opposite to the metal-free zone; see Figure 4 on sheet H11/2) there is no requirement in the C₁₈₀-plane."