

Humanetics Innovative Solutions, Inc.

BioRID II Head/Neck Storage and Lifting Enhancement Kit

BioRID II Head/Neck Storage and Lifting Enhancement Kit

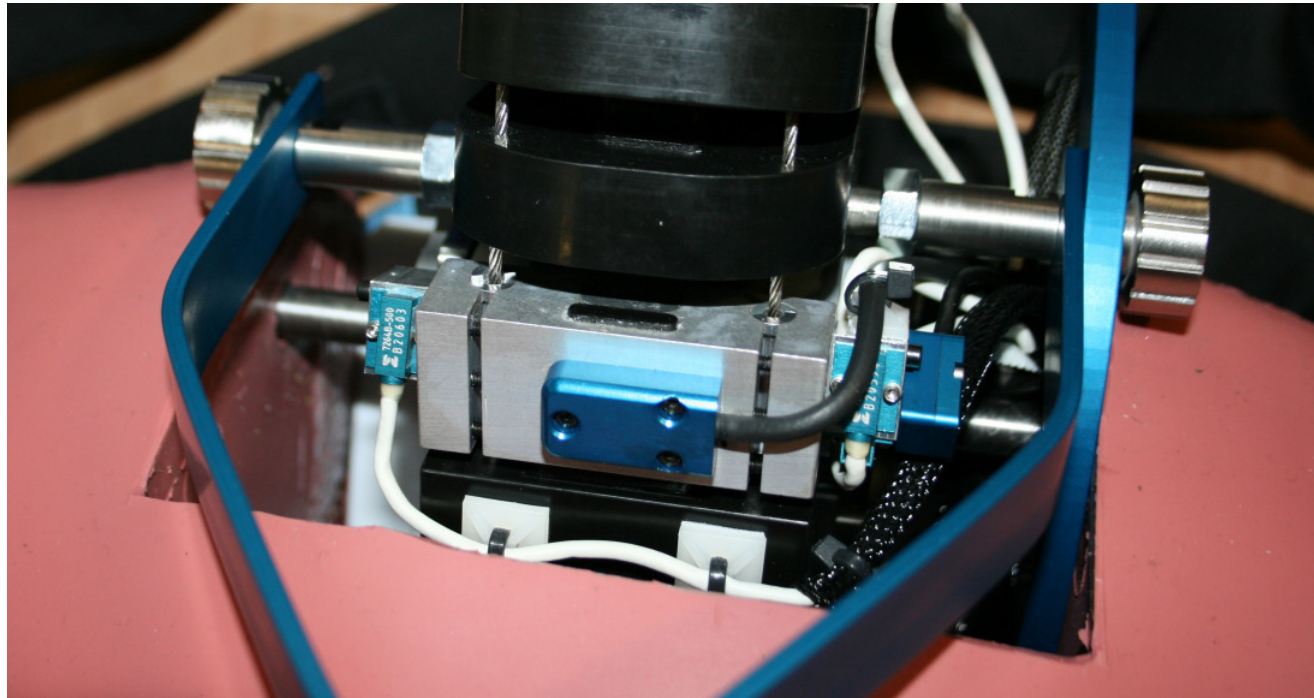
Background

The head locking bracket as well as the neck lifting bracket are used on the BioRID II ATD. With the addition of angular rate sensors and the upgrade of BioRID dummies to an in-dummy DAS system, there is a need to increase the Space around the T1 accelerometer locations left and right.

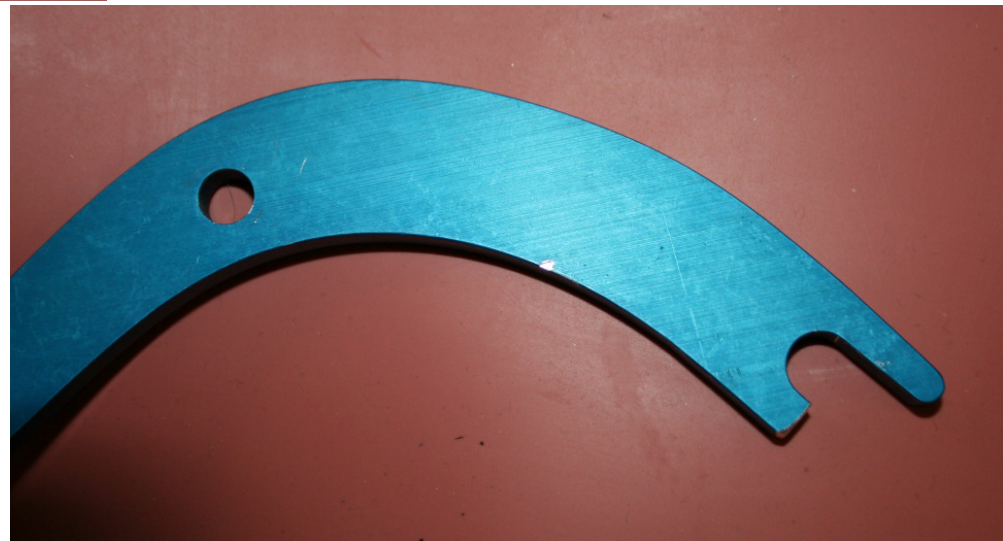
Solution

Humanetics Europe has developed side extension pieces for the T1 axis along with Special bolts for the attachment of the head locking bracket and neck lifting bracket. In addition, the locking bracket gets a new head attachment plate with an increased slot length for more flexibility. A minor modification to the tool is required due to the umbilical inside the ATD.

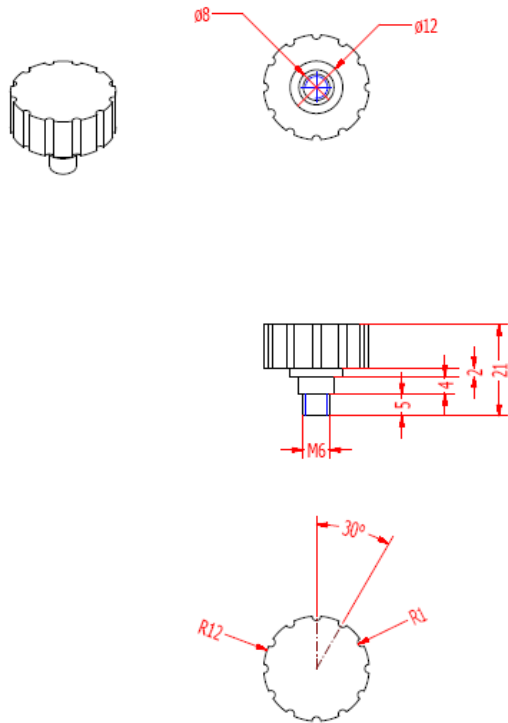
BioRID II Head/Neck Storage and Lifting Enhancement Kit



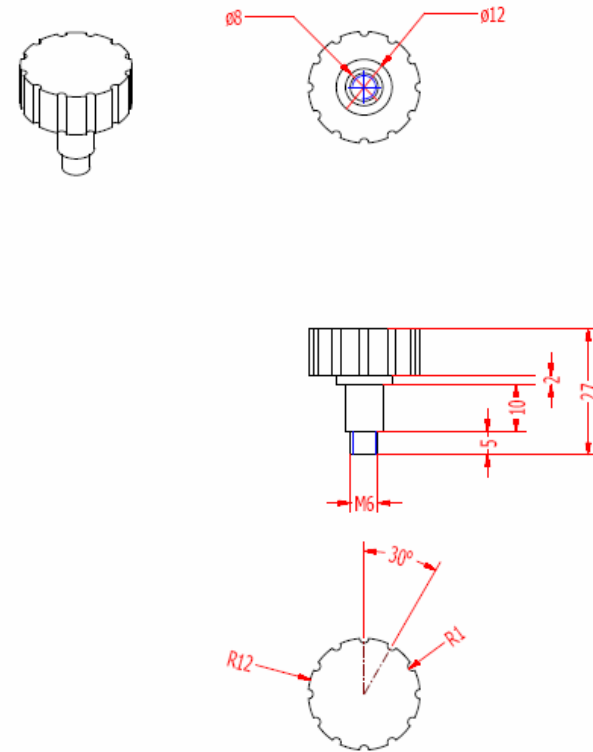
BioRID II Head/Neck Storage and Lifting Enhancement Kit



BioRID II Head/Neck Storage and Lifting Enhancement Kit

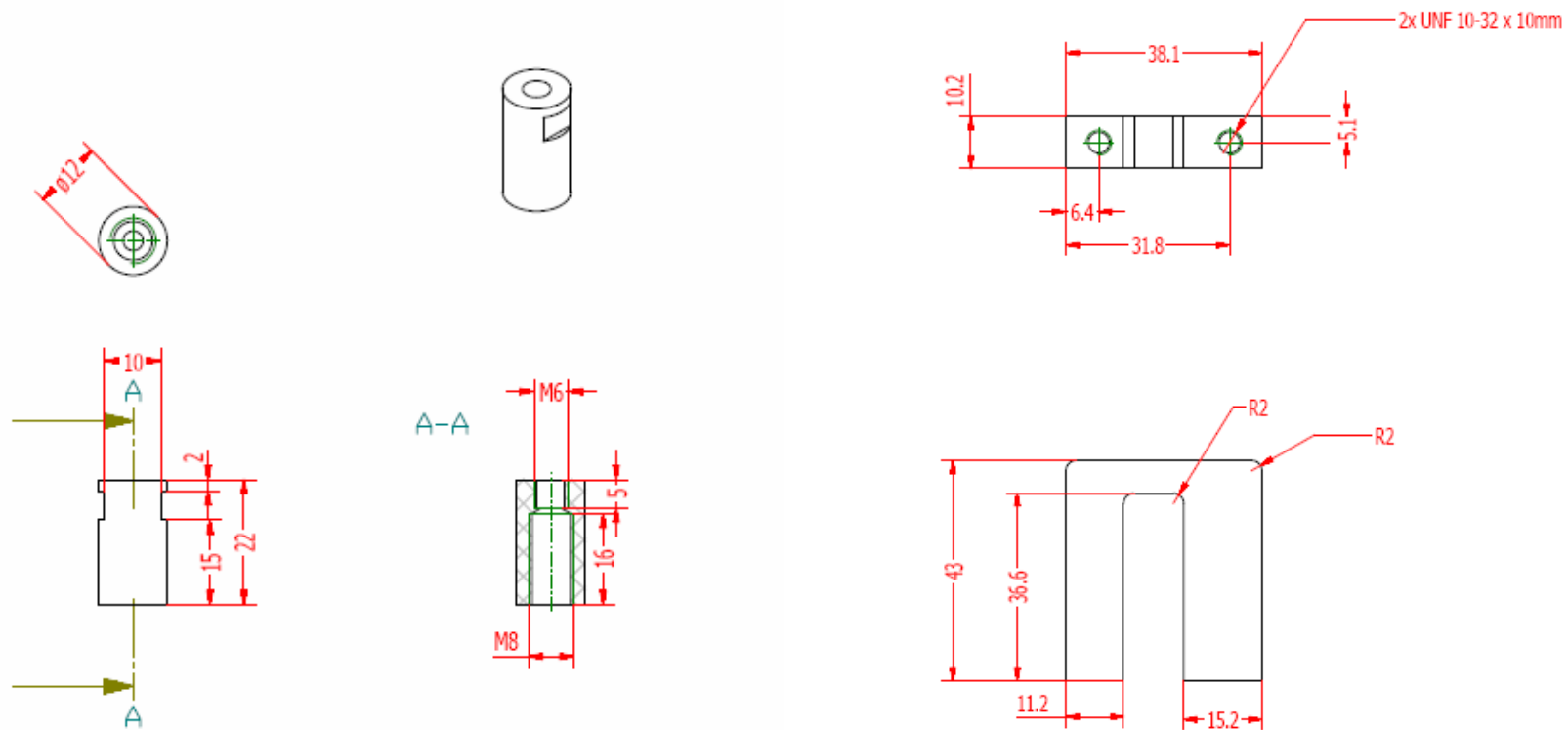


Screw 1, 4mm shoulder



Screw 2, 10mm shoulder

BioRID II Head/Neck Storage and Lifting Enhancement Kit



T1 pin extension

Locking Tool bracket