

# Corrigendum for the Knee Measurements Locations

TEG-135  
 20 April 2010  
 JARI  
 (Information: from FTSS)

## Wrong Numbers

### Instruments locations

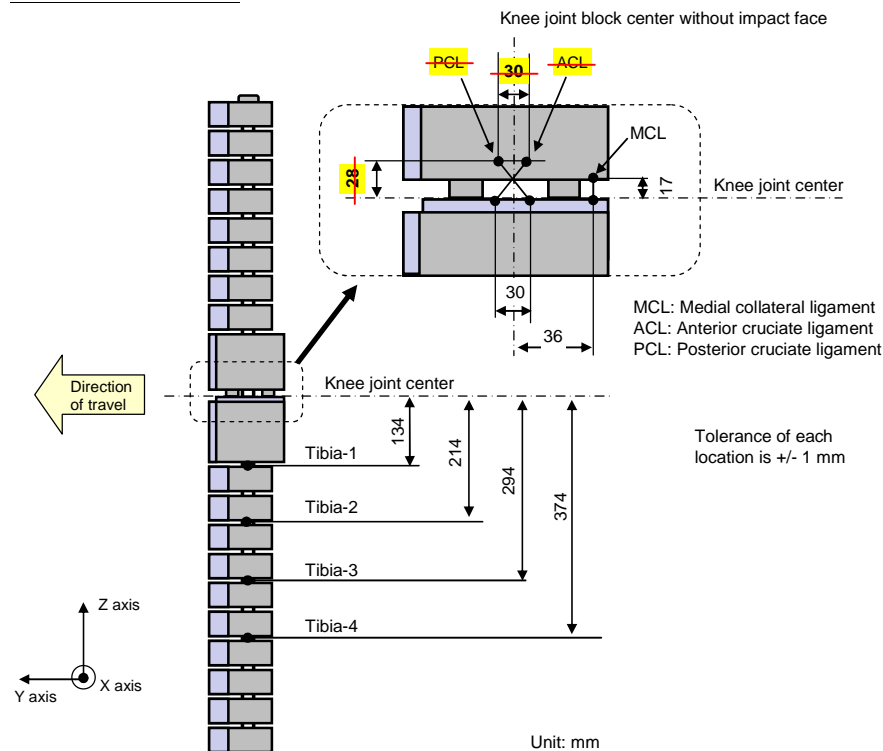


Figure 17: Flex-PLI; instrument locations

## Correct Numbers

### Instruments locations

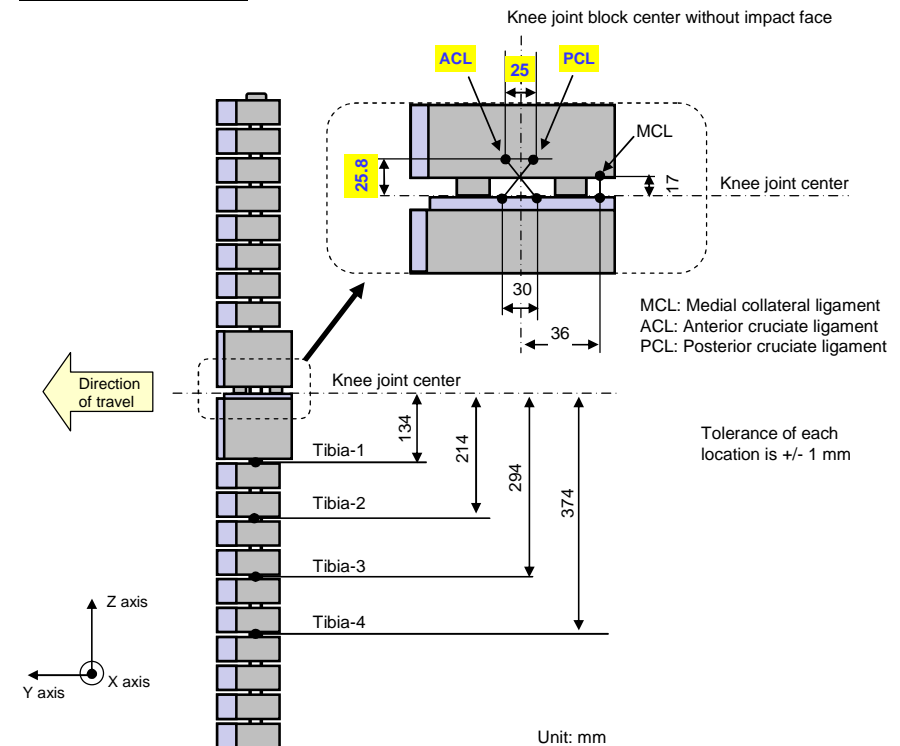


Figure 17: Flex-PLI; instrument locations