

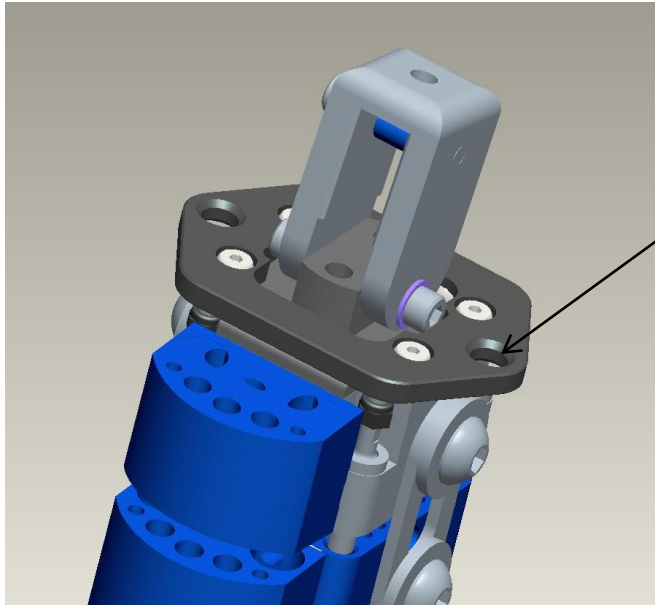
First Technology Safety Systems

Flex PLI Catch Rope Bracket Proposal

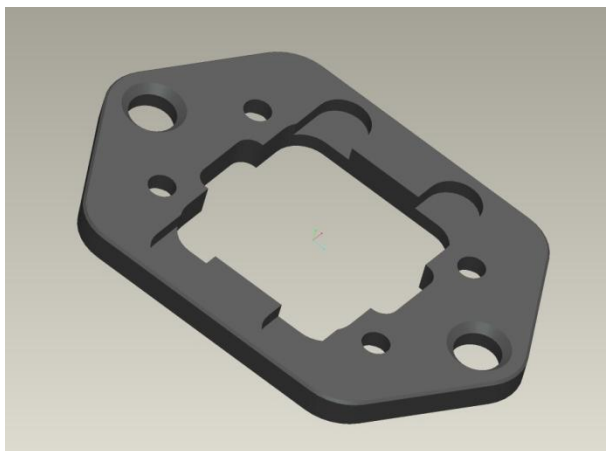
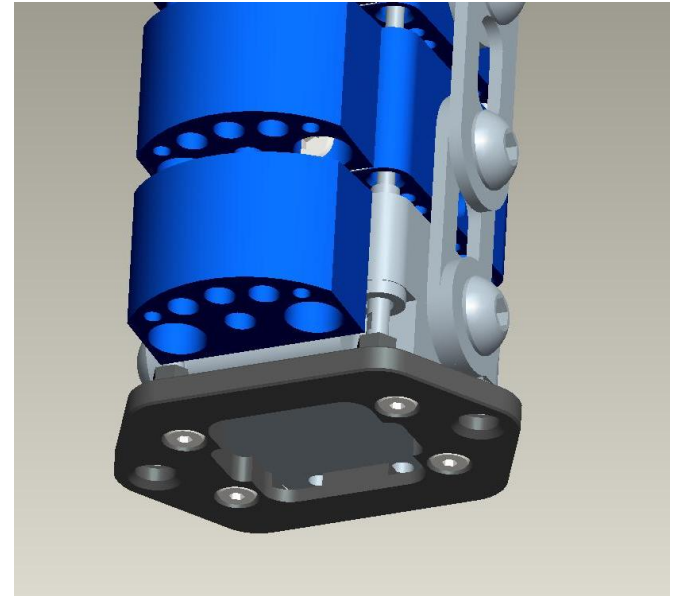
Mark Burleigh

20 April 2010

4 Point Catch Rope Bracket Proposal

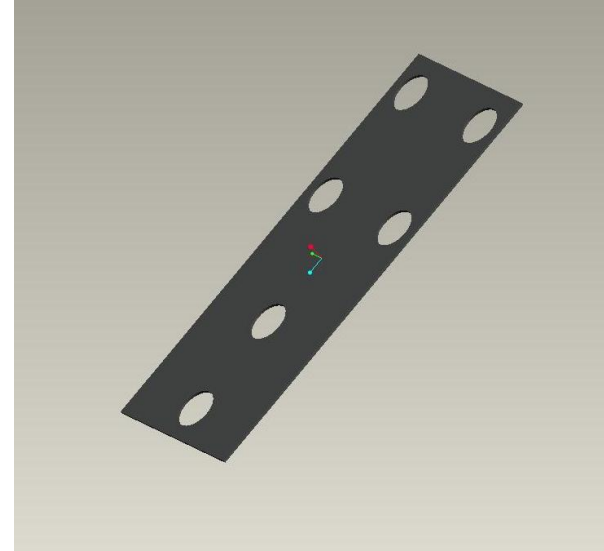
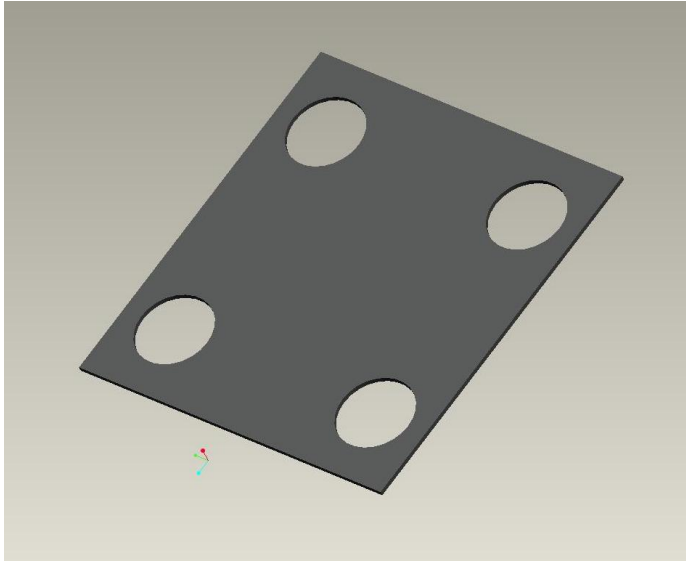


Ø9 rope
holes



Replaces current end protective covers
Weight 13 grams heavier than covers
Proposal currently being reviewed by TUV
Material high strength 7075 aluminium
6 mm thick

Notification of new shim thickness



Current segment fit is fine tuned with 0.05 mm thick shims
Will have 0.1 and 0.2 mm thick shims to reduce number of
shims and help handling